



VACUUM SEALER SU-520

Tabletop model. 20m³/h. 420+420 mm.



FOOD PRESERVATION AND SOUS-VIDE
VACUUM PACKING MACHINES - "SENSOR ULTRA" LINE



FEATURES AND BENEFITS

- ✓ Powered by Busch.
- ✓ Vacuum controlled by sensor.
- ✓ Vacuum PLUS.
- ✓ LCD colour screen: all information at a glance.
- ✓ Backlit touch keyboard.
- ✓ Programmable: 25-programme memory. Blocking option.
- ✓ "Pause" button.
- ✓ Phased vacuum programme.
- ✓ Detection of the evaporation of liquids.
- ✓ Double seal.
- ✓ Cordless sealing bar.
- ✓ Progressive decompression.
- ✓ Vac-Norm ready with Automatic decompression.
- ✓ Stainless steel body and chamber. Long-shaped chamber.
- ✓ Damped transparent lid of high durability polycarbonate.
- ✓ Dry-oil programme for drying the pump.
- ✓ Working hours counter for oil changes.
- ✓ Safety system with protection against vacuum failure.

SALES DESCRIPTION

- Two sealing bars (420+420 mm.)
- 20 m³/h Busch vacuum pump.
- Vacuum controlled by sensor.

INCLUDES

- ✓ BUSCH pump.
- ✓ Sensor Controls.
- ✓ 25 programmable settings.
- ✓ Vacuum PLUS: up to 10 seconds of extra vacuum pull.
- ✓ Soft air function.
- ✓ Clear methacrylate lid.
- ✓ "PAUSE" function.
- ✓ Liquid detection system.
- ✓ Dry oil cycle.
- ✓ NSF Approved.
- ✓ Filling plate.

ACCESSORIES

- Bag cutting kits
- Filling plates
- Liquid insert plates
- Vac-norm external vacuum kits
- Vac-norm containers
- Smooth bags for vacuum packing
- Trolley for vacuum packing machines
- CG2 Desktop printer for SU vacuum packing machines *
- Thermal labels for CG2 printer

sammic | www.sammic.com
Food Service Equipment Manufacturer

Polígono Basarte, 1. phone +34 943 15 72 36
20720 Azkoitia, Spain sales@sammic.com



Project	Date
Item	Qty
Approved	



VACUUM SEALER SU-520

Tabletop model. 20m³/h. 420+420 mm.



SPECIFICATIONS

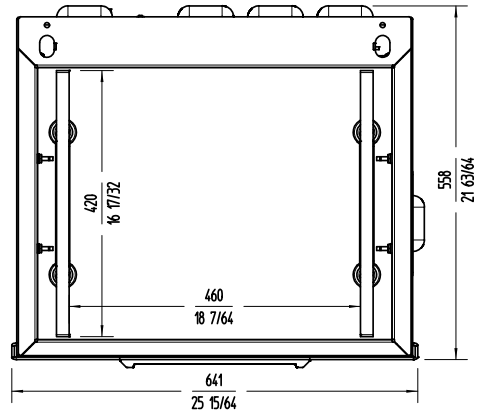
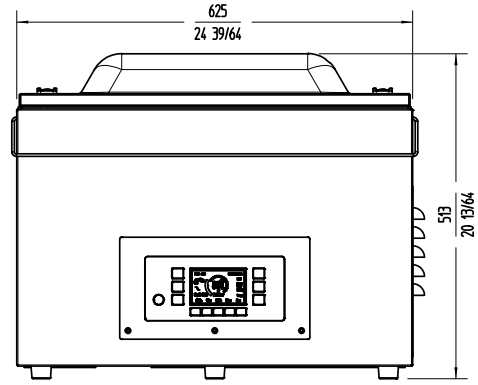
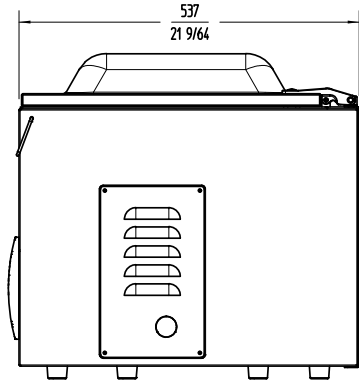
- Pump capacity: 20 m³/h
- Bar length: 420 mm
- Total loading: 750 W
- Vacuum pressure (maximum): 2 mbar

Internal dimensions

- ✓ Width: 560 mm
- ✓ Depth: 430 mm
- ✓ Height: 183 mm

External dimensions (WxDxH)

- ✓ Width: 625 mm
- ✓ Depth: 537 mm
- ✓ Height: 513 mm
- Net weight: 80 Kg
- Noise level (1m.): 75 dB(A)
- Background noise: 32 dB(A)



AVAILABLE MODELS

1140790 Vacuum packing machine SU-520 230/50-60/1

* Ask for special versions availability

sammic | www.sammic.com
Food Service Equipment Manufacturer

Polígono Basarte, 1. phone +34 943 15 72 36
20720 Azkoitia, Spain sales@sammic.com



Project	Date
Item	Qty
Approved	

FOOD PRESERVATION AND SOUS-VIDE
VACUUM PACKING MACHINES - "SENSOR ULTRA" LINE

product sheet
updated 01/08/2018