

# K SINGLE-IMPELLER

## SINGLE-IMPELLER ELECTRIC PUMPS



### TECHNICAL DATA

#### Operating range:

from 1,8 to 96 m<sup>3</sup>/h, with head up to 62 metres.

**Pumped liquid:** clean, free of solids and abrasives, non-viscous, non-aggressive, non-crystallised and chemically neutral, with properties similar to water.

#### Liquid temperature range:

K 20/41, K 30/70, K 30/100, K 36/100

K 12/200, K 36/200, K 40/200 :

from -10 °C to +50 °C

Remainder of the range:

from -15 °C to +110 °C

**Maximum ambient temperature:** +40°C

#### Maximum operating pressure:

K 20/41, K 30/70, K 30/100, K 36/100, K 12/200, K 14/400 : 6 bar (600 kPa)

K 36/200, K 40/200, K 55/200, K 11/500, K 18/500, K 28/500 : 8 bar (800 kPa)

K 40/400, K 50/400, K 30/800, K 40/800, K 50/800,

: 10 bar (1000 kPa)

#### Protection class:

IP 44 (IP 55 for 2,2 - 3 - 4 - 5,5 - 7,5 - 9,2 - 11 kW motors)

**Protection class at the terminal board:** IP 55

#### Insulation class: F

#### Standard voltage:

single-phase 220-240 V / 50 Hz

three-phase 230-400 V / 50 Hz up to 4 kW included - 400 V Δ 50 Hz from 5,5 kW

**Installation:** horizontal or vertical position, provided that the motor is always above the pump.

**Special executions on requests:** alternative voltages and frequencies.

### APPLICATIONS

Single-impeller centrifugal pump suitable for domestic, civil, industrial and agricultural systems, and for decanting, mixing and irrigation uses.

### CONSTRUCTION FEATURES OF THE PUMP

Pump body and motor support in cast iron.

Technopolymer or cast iron impeller, as per the TECHNICAL DATA table.

Carbon/ceramic mechanical seal.

### CONSTRUCTION FEATURES OF THE MOTOR

Closed asynchronous type, external ventilation cooling.

Rotor running on ball bearings, oversized to ensure low noise and durability.

Standard built-in thermo-amperometric protection. Capacitor permanently fitted on single phase versions.

For the protection of the three-phase motor, we recommend the use of remote overload cut-outs, in compliance with current local regulations.

Construction according to CEI 2-3.

IE2 motors as standard, from 0,75 kW to 5,5 kW - IE3 ≥ 7,5 kW

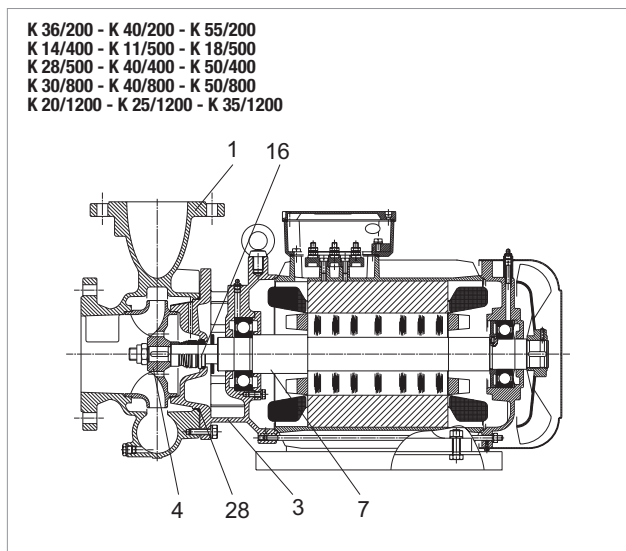
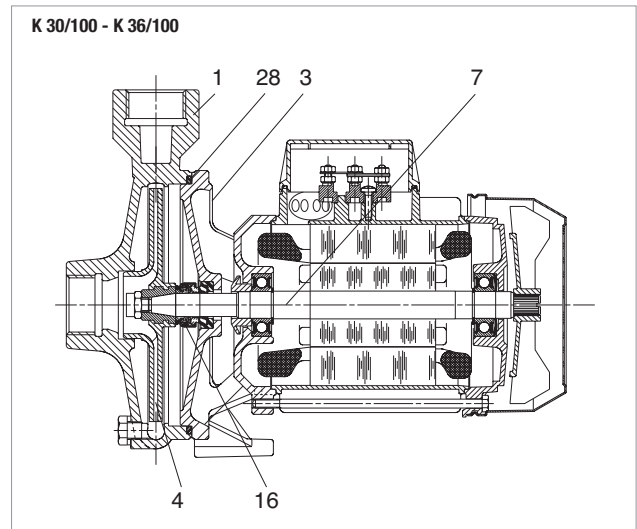
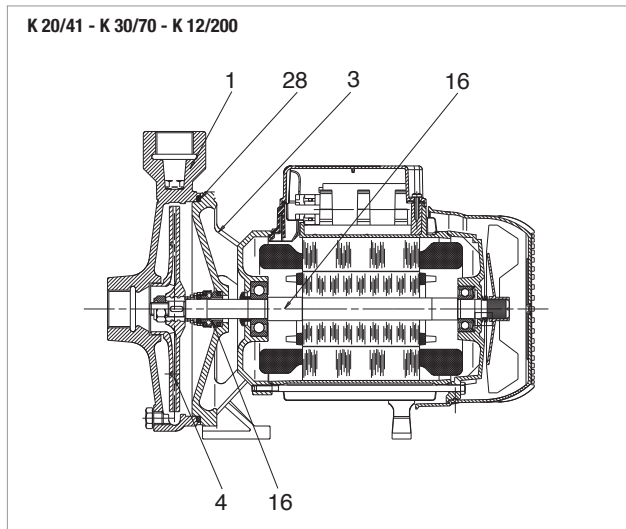
# K SINGLE-IMPELLER

## SINGLE-IMPELLER ELECTRIC PUMPS

### MATERIALS

No.	PARTS*	MATERIALS	MODELS
1	PUMP BODY	CAST IRON 200 UNI ISO 185	
3	SUPPORT	CAST IRON 200 UNI ISO 185	
4	IMPELLER	TECHNOPOLYMER A	20/41; K 30/70; K 30/100; K 36/100; K 12/200; K 36/200; K 40/200;
		TECHNOPOLYMER B	K 55/200
		CAST IRON 200 UNI ISO 185	K 14/400; K 11/500; K 18/500; K 28/500; K 40/400; K 50/400; K 30/800; K 40/800; K 50/800; K 20/1200; K 25/1200; K 35/1200;
7	SHAFT WITH ROTOR	AISI 416 STAINLESS STEEL X12CRS13 UNI 6900/71	K 20/41; K 30/70; K 12/200
		AISI 303 STAINLESS STEEL X10CRN15 UNI 6900/71	K 30/100; K 36/100; K 36/200; K 40/200; K 55/200; K14/400; K 11/500; K 18/500; K 28/500
		AISI 304 STAINLESS STEEL X5CRNI 1810 UNI 6900/71	K 40/400; K 50/400; K 30/800; K 40/800; K 50/800; K 20/1200; K 25/1200; K 35/1200;
16	MECHANICAL SEAL	CARBON / CERAMIC	
28	OR RING	NBR RUBBER	
		EPDM RUBBER	K 36/200; K 40/200; K 55/200; K 14/400; K 11/500; K 18/500; K 28/500; K 30/800; K 40/800; K 50/800; K 20/1200; K 25/1200; K 35/1200;

\* In contact with the liquid



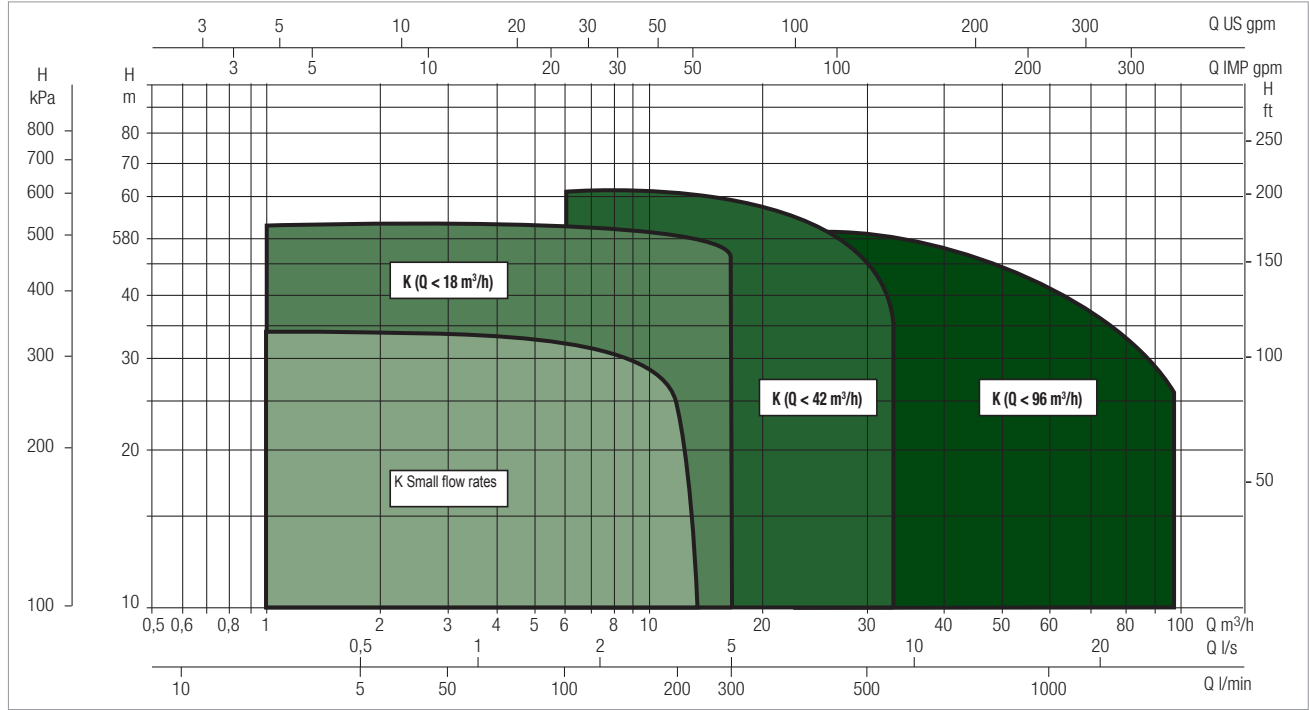
# K SINGLE-IMPELLER RANGE

ELECTRIC PUMPS

## PERFORMANCE RANGE

The performance curves are based on kinematic viscosity values = 1 mm<sup>2</sup>/s and density equal to 1000 kg/m<sup>3</sup>. Curve tolerance according to ISO 9906.

### GRAPHIC SELECTION TABLE

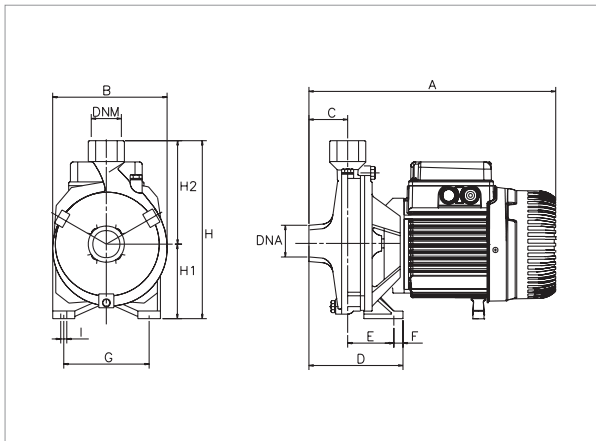


## SELECTION TABLE

MODEL	Q=	0	1.8	2.4	3.6	4.8	6	7.2	9	9.6	10.8	12	15	18	24	30	36	42	60	72	84	96	
	m <sup>3</sup> /h	0	30	40	60	80	100	120	150	160	180	200	250	300	400	500	600	700	1000	1200	1400	1600	
K 20/41 M-T	H (m)	22	20.3	19.4	16.9	13.6	8.3																
K 30/70 M-T		31.8	29.5	28.9	27	24.2	19.8	13.5															
K 30/100 M-T		29.2		29	28.8	28	26.8	25.3	22.5	21.5	18.5												
K 36/100 M-T		34.9		34.8	34.6	34	33	32	29.8	29	26.5												
K 12/200 M-T		18.7	18.2	18	17.9	17.7	17.4	17	16.1	15.8	14.9	14	11.2	7.7									
K 36/200 T		36.6				36	35.5	35	34	33.3	32.5	31.5	28	23.5									
K 40/200 T		41.3				41	40.5	40	39	38.8	38	37	33.5	29									
K 55/200 T		54				54	53.9	53.2	53	52	51.5	48.5	45										
K 14/400 M-T		19									18.8	18.5	18	16.3	13.8	10							
K 11/500 T		25.1									26	25.6	25.2	22.9	18.7	13.7	7.7						
K 18/500 T		30.9									32	31.8	30	28.5	25	19.3	13.1						
K 28/500 T		35.4									36.6	36.1	35.6	33.2	30.1	24.7	18.1						
K 40/400 T		50.5									49	48	45	37	24								
K 50/400 T		62									61	60	59	54.5	46								
K 30/800 T		44												42	40	38	35	21.5					
K 40/800 T		51.5												50	48	47	43.5	32.5	21				
K 50/800 T		58												56.5	55	53.5	51	41	31				
K 20/1200 T		37.5												36.5	36	35	34	30	26	21	15		
K 25/1200 T		40.7												39	38.5	38	37	33.5	30	25	18		
K 35/1200 T		45														43	42.5	38.5	35	31.5	27		

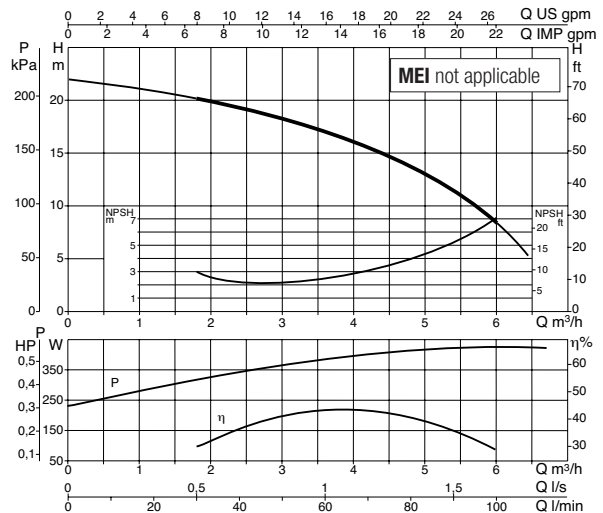
# K 20/41 - SINGLE-IMPELLER CENTRIFUGAL ELECTRIC PUMPS FOR WATER SUPPLY IN DOMESTIC, CIVIL, AND INDUSTRIAL ENVIRONMENTS

Pumped liquid temperature range: from -10 °C to +50°C - Maximum ambient temperature: +40°C



See hydraulic efficiency details on page 291.

The performance curves are based on kinematic viscosity values = 1 mm<sup>2</sup>/s and density equal to 1000 kg/m<sup>3</sup>. Curve tolerance according to ISO 9906.

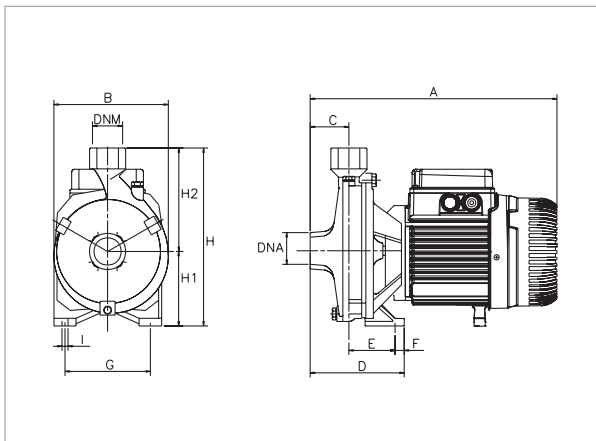


MODEL	ELECTRICAL DATA									
	POWER INPUT 50 Hz	P1 MAX kW	P2 NOMINAL		In A	MOTOR TYPE	I st. A	rpm n. 1/min.	CAPACITOR	
			kW	HP					μF	Vc
K 20/41 M	1x220-240 V ~	0.65	0.37	0.5	3	-	8.5	2800	10	450
K 20/41 T	3x230-400 V ~	0.64	0.37	0.5	2.3-1.3	-	8.6-5	2800	-	-

MODEL	A	B	C	D	E	F	G	ØI	H	H1	H2	DNA	DNM	PACKING DIMENSIONS			VOLUME (m <sup>3</sup> )	WEIGHT kg
														L/A	L/B	H		
K 20/41	275	160	50	100	50	15	110	9	205	85	120	1" G	1" G	332	202	257	0.024	10

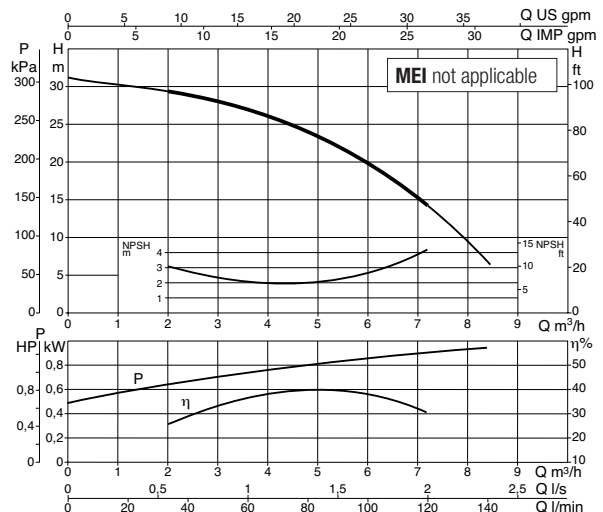
# K 30/70 - SINGLE-IMPELLER CENTRIFUGAL ELECTRIC PUMPS FOR WATER SUPPLY IN DOMESTIC, CIVIL, AND INDUSTRIAL ENVIRONMENTS

Pumped liquid temperature range: from -10 °C to +50°C - Maximum ambient temperature: +40°C



See hydraulic efficiency details on page 291.

The performance curves are based on kinematic viscosity values = 1 mm<sup>2</sup>/s and density equal to 1000 kg/m<sup>3</sup>. Curve tolerance according to ISO 9906.

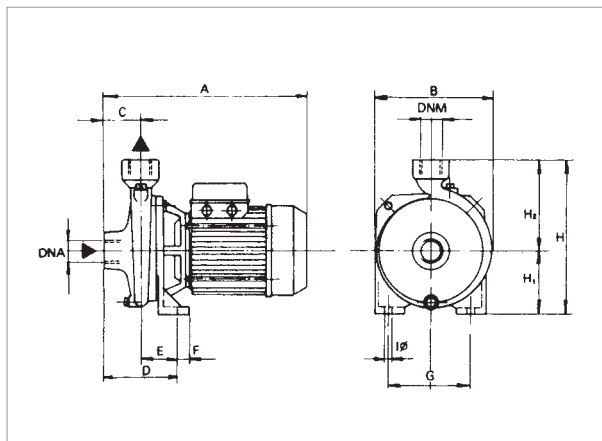


MODEL	ELECTRICAL DATA									
	POWER INPUT 50 Hz	P1 MAX kW	P2 NOMINAL		In A	MOTOR TYPE	I st. A	rpm n. 1/min.	CAPACITOR	
			kW	HP					μF	Vc
K 30/70 M	1x220-240 V ~	1.3	0.75	1	6	-	15.8	2800	20	450
K 30/70 T	3x230-400 V ~	1.2	0.75	1	4.3-2.5	IE2	22.1-12.8	2820	-	-

MODEL	A	B	C	D	E	F	G	ØI	H	H1	H2	DNA	DNM	PACKING DIMENSIONS			VOLUME (m <sup>3</sup> )	WEIGHT kg
														L/A	L/B	H		
K 30/70	330	185	50	108	58	15	140	9	235	100	135	1" G	1" G	386	226	272	0.024	13.9

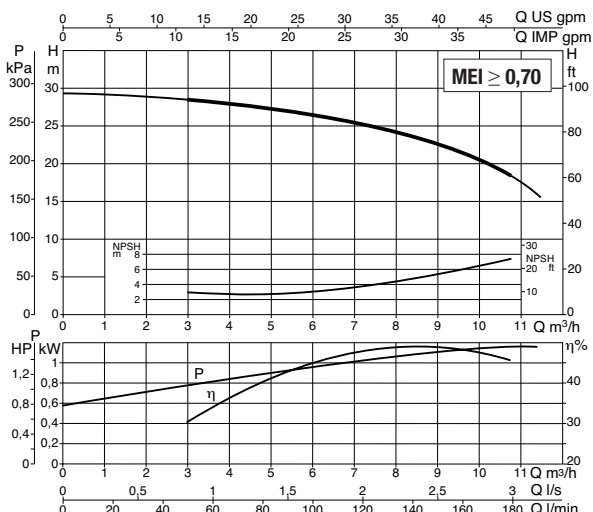
## K 30/100 - SINGLE-IMPELLER CENTRIFUGAL ELECTRIC PUMPS FOR WATER SUPPLY IN DOMESTIC, CIVIL, AND INDUSTRIAL ENVIRONMENTS

Pumped liquid temperature range: from -10 °C to +50°C - Maximum ambient temperature: +40°C



See hydraulic efficiency details on page 291.

The performance curves are based on kinematic viscosity values = 1 mm<sup>2</sup>/s and density equal to 1000 kg/m<sup>3</sup>. Curve tolerance according to ISO 9906.

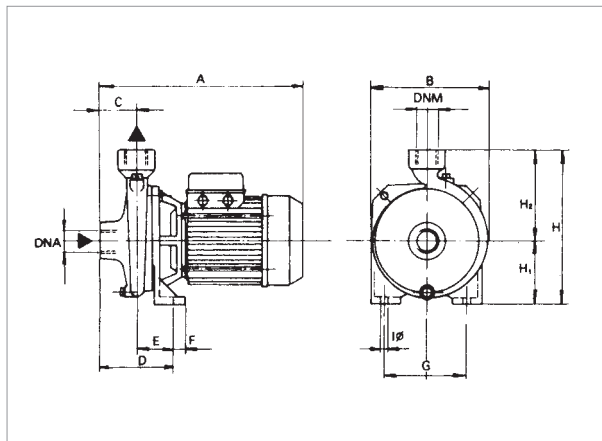


MODEL	ELECTRICAL DATA									
	POWER INPUT 50 Hz	P1 MAX kW	P2 NOMINAL		In A	MOTOR TYPE	I st. A	rpm n. 1/min.	CAPACITOR	
			kW	HP					μF	Vc
K 30/100 M	1x220-240 V ~	1.6	1.1	1.5	7.1	-	33	2800	31.5	450
K 30/100 T	3x230-400 V ~	1.63	1.1	1.5	6.9-3.9	IE2	21	2860	-	-

MODEL	A	B	C	D	E	F	G	ØI	H	H1	H2	DNa	DNM	PACKING DIMENSIONS			VOLUME (m <sup>3</sup> )	WEIGHT kg
														L/A	L/B	H		
K 30/100	333	200	50	114	64	15	140	9	255	105	150	1½" G	1" G	427	246	307	0.032	18.5

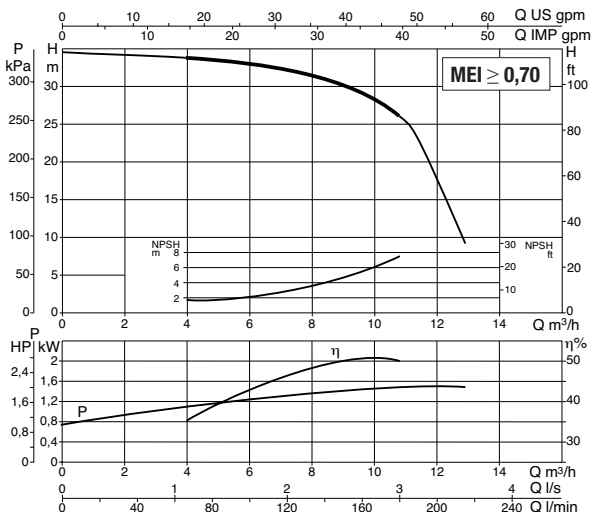
## K 36/100 - SINGLE-IMPELLER CENTRIFUGAL ELECTRIC PUMPS FOR WATER SUPPLY IN DOMESTIC, CIVIL, AND INDUSTRIAL ENVIRONMENTS

Pumped liquid temperature range: from -10 °C to +50°C - Maximum ambient temperature: +40°C



See hydraulic efficiency details on page 291.

The performance curves are based on kinematic viscosity values = 1 mm<sup>2</sup>/s and density equal to 1000 kg/m<sup>3</sup>. Curve tolerance according to ISO 9906.

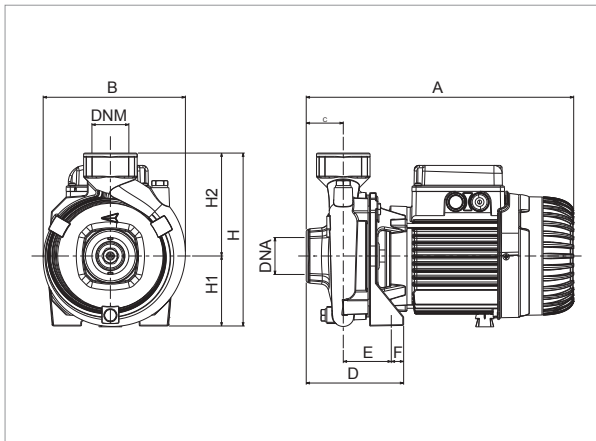


MODEL	ELECTRICAL DATA									
	POWER INPUT 50 Hz	P1 MAX kW	P2 NOMINAL		In A	MOTOR TYPE	I st. A	rpm n. 1/min.	CAPACITOR	
			kW	HP					μF	Vc
K 36/100 M	1x220-240 V ~	2.1	1.85	2.5	8.8	-	45	2850	40	450
K 36/100 T	3x230-400 V ~	2	1.85	2.5	6.9-4	IE2	22	2870	-	-

MODEL	A	B	C	D	E	F	G	ØI	H	H1	H2	DNa	DNM	PACKING DIMENSIONS			VOLUME (m <sup>3</sup> )	WEIGHT kg
														L/A	L/B	H		
K 36/100	333	200	50	114	64	15	140	9	255	105	150	1½" G	1" G	427	246	307	0.032	23.3

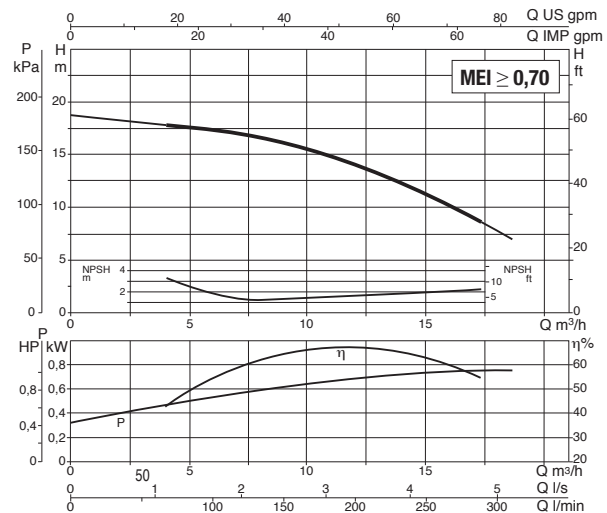
# K 12/200 - SINGLE-IMPELLER CENTRIFUGAL ELECTRIC PUMPS FOR WATER SUPPLY IN DOMESTIC, CIVIL, AND INDUSTRIAL ENVIRONMENTS

Pumped liquid temperature range: from -10 °C to +50°C - Maximum ambient temperature: +40°C



See hydraulic efficiency details on page 291.

The performance curves are based on kinematic viscosity values = 1 mm<sup>2</sup>/s and density equal to 1000 kg/m<sup>3</sup>. Curve tolerance according to ISO 9906.

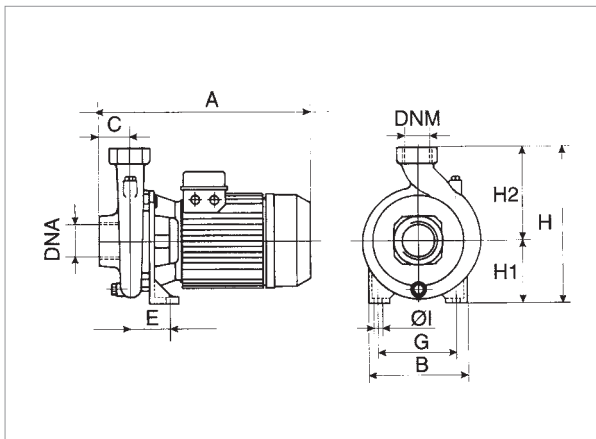


MODEL	ELECTRICAL DATA									
	POWER INPUT 50 Hz	P1 MAX kW	P2 NOMINAL		In A	MOTOR TYPE	I st. A	rpm n. 1/min.	CAPACITOR	
			kW	HP					μF	Vc
K 12/200 M	1x220-240 V ~	1.1	0.75	1	5.2	-	18.5	2940	25	450
K 12/200 T	3x230-400 V ~	0.97	0.75	1	4-2.3	IE2	22.1-12.8	2940	-	-

MODEL	A	B	C	D	E	F	G	ØI	H	H1	H2	DNA	DNM	PACKING DIMENSIONS			VOLUME (m <sup>3</sup> )	WEIGHT kg
														L/A	L/B	H		
K 12/200	325	173	45	118	58	15	110	9.5	218	85	125	1 1/2	1 1/2	392	232	280	0,026	13.7

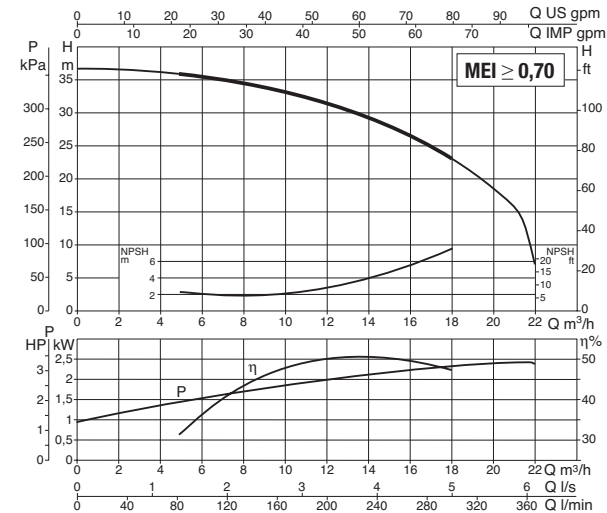
# K 36/200 - SINGLE-IMPELLER CENTRIFUGAL ELECTRIC PUMPS FOR WATER SUPPLY IN DOMESTIC, CIVIL, AND INDUSTRIAL ENVIRONMENTS

Pumped liquid temperature range: from -10 °C to +50°C - Maximum ambient temperature: +40°C



See hydraulic efficiency details on page 291.

The performance curves are based on kinematic viscosity values = 1 mm<sup>2</sup>/s and density equal to 1000 kg/m<sup>3</sup>. Curve tolerance according to ISO 9906.

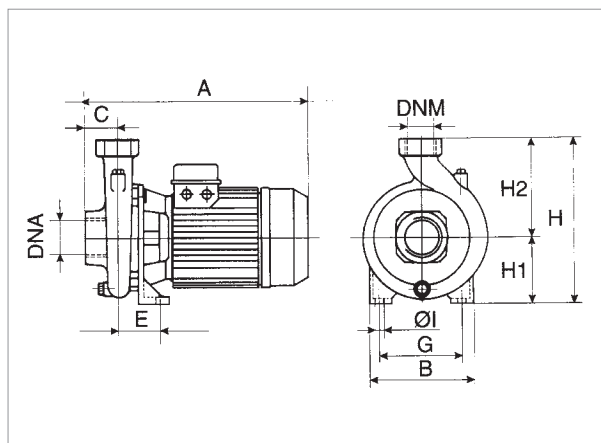


MODEL	ELECTRICAL DATA							
	POWER INPUT 50 Hz	P1 MAX kW	P2 NOMINAL		In A	MOTOR TYPE	I st. A	rpm n. 1/min.
			kW	HP				
K 36/200 T	3x230-400 V ~	3	2.2	3	9-5.2	IE2	45-26	2860

MODEL	A	B	C	E	G	ØI	H	H1	H2	DNA	DNM	PACKING DIMENSIONS			VOLUME (m <sup>3</sup> )	WEIGHT kg
												L/A	L/B	H		
K 36/200 T	425	250	55	86	175	14	320	135	185	2" G	1 1/4" G	512	276	345	0.049	33.1

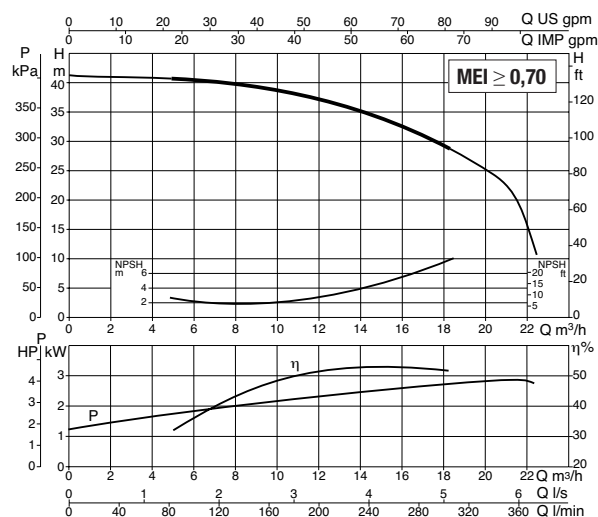
## K 40/200 - SINGLE-IMPELLER CENTRIFUGAL ELECTRIC PUMPS FOR WATER SUPPLY IN DOMESTIC, CIVIL, AND INDUSTRIAL ENVIRONMENTS

Pumped liquid temperature range: from -10 °C to +50°C - Maximum ambient temperature: +40°C



See hydraulic efficiency details on page 291.

The performance curves are based on kinematic viscosity values = 1 mm<sup>2</sup>/s and density equal to 1000 kg/m<sup>3</sup>. Curve tolerance according to ISO 9906.

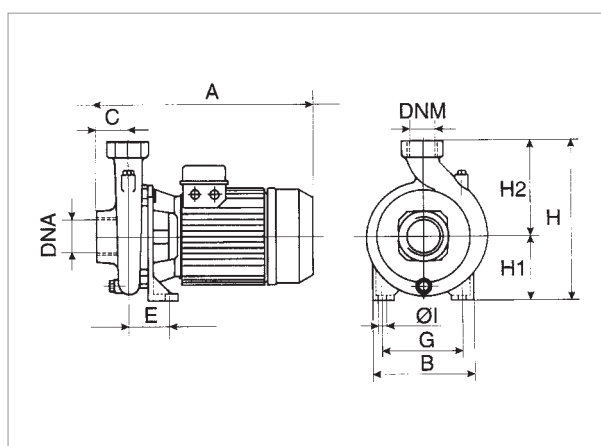


MODEL	POWER INPUT 50 Hz	P1 MAX kW	P2 NOMINAL		In A	MOTOR TYPE	I st. A	rpm n. 1/min.
			kW	HP				
K 40/200 T	3x230-400 V ~	3.5	3	4	11.1-6.4	IE2	67.5-39	2830

MODEL	A	B	C	E	G	ØI	H	H1	H2	DNA	DNM	PACKING DIMENSIONS			VOLUME (m <sup>3</sup> )	WEIGHT kg
												L/A	L/B	H		
K 40/200	425	250	55	86	175	14	320	135	185	2" G	1 1/4" G	512	276	345	0.049	34.9

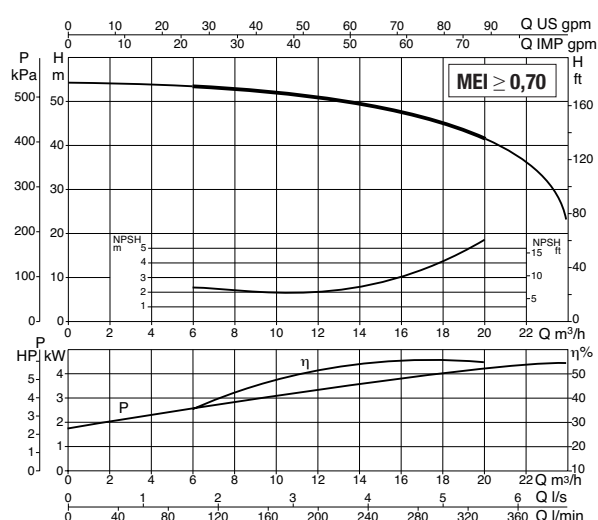
## K 55/200 - SINGLE-IMPELLER CENTRIFUGAL ELECTRIC PUMPS FOR WATER SUPPLY IN DOMESTIC, CIVIL, AND INDUSTRIAL ENVIRONMENTS

Pumped liquid temperature range: from -10 °C to +50°C - Maximum ambient temperature: +40°C



See hydraulic efficiency details on page 291.

The performance curves are based on kinematic viscosity values = 1 mm<sup>2</sup>/s and density equal to 1000 kg/m<sup>3</sup>. Curve tolerance according to ISO 9906.

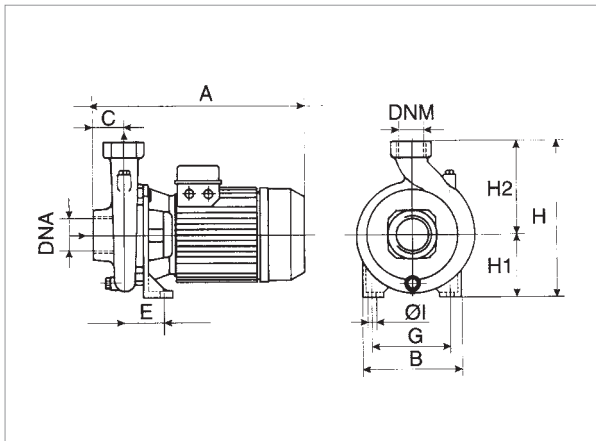


MODEL	POWER INPUT 50 Hz	P1 MAX kW	P2 NOMINAL		In A	MOTOR TYPE	I st. A	rpm n. 1/min.
			kW	HP				
K 55/200 T	3x230-400 V ~	5.1	4	5.5	16.3-9.4	IE2	104-60	2880

MODEL	A	B	C	E	G	ØI	H	H1	H2	DNA	DNM	PACKING DIMENSIONS			VOLUME (m <sup>3</sup> )	WEIGHT kg
												L/A	L/B	H		
K 55/200	425	250	55	86	175	14	320	135	185	2" G	1 1/4" G	512	276	345	0.049	39

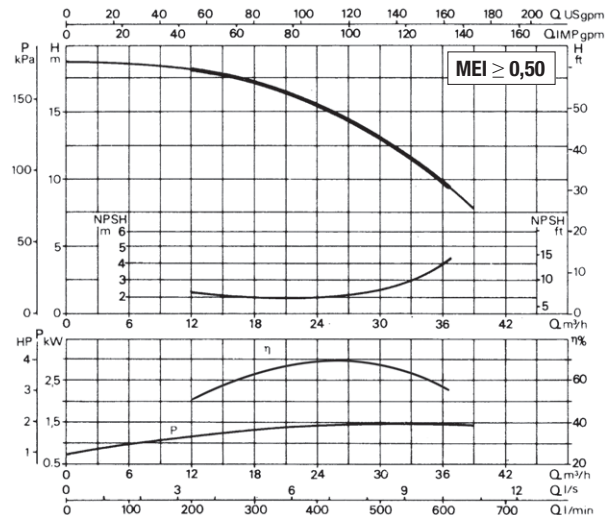
# K 14/400 - SINGLE-IMPELLER CENTRIFUGAL ELECTRIC PUMPS FOR WATER SUPPLY IN DOMESTIC, CIVIL, AND INDUSTRIAL ENVIRONMENTS

Pumped liquid temperature range: from -10 °C to +50°C - Maximum ambient temperature: +40°C



See hydraulic efficiency details on page 291.

The performance curves are based on kinematic viscosity values = 1 mm<sup>2</sup>/s and density equal to 1000 kg/m<sup>3</sup>. Curve tolerance according to ISO 9906.

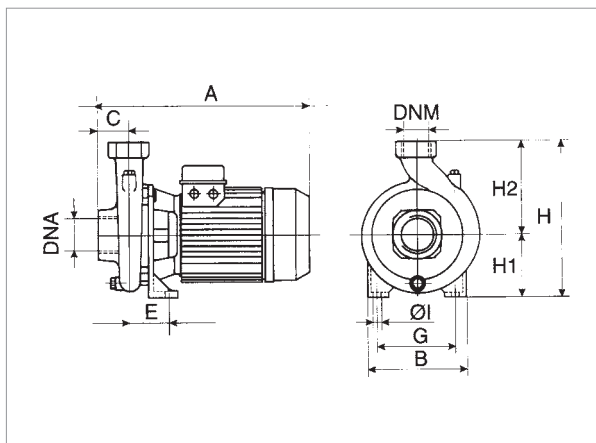


MODEL	ELECTRICAL DATA									
	POWER INPUT 50 Hz	P1 MAX kW	P2 NOMINAL		In A	MOTOR TYPE	I st. A	rpm n. 1/min.	CAPACITOR	
			kW	HP					μF	Vc
K 14/400 M	1x220-240 V ~	2.1	1.85	2.5	9.5	-	38	2850	40	450
K 14/400 T	3x230-400 V ~	2.1	1.85	2.5	7-4	IE2	37.5-21.7	2850	-	-

MODEL	A	B	C	E	G	ØI	H	H1	H2	DNA	DNM	PACKING DIMENSIONS			VOLUME (m <sup>3</sup> )	WEIGHT kg
												L/A	L/B	H		
K 14/400 M	430	200	62	74	120	11	270	105	165	2" G	2" G	427	246	307	0.032	24.5
K 14/400 T	358	200	62	74	120	11	270	105	165	2" G	2" G	427	246	307	0.032	22

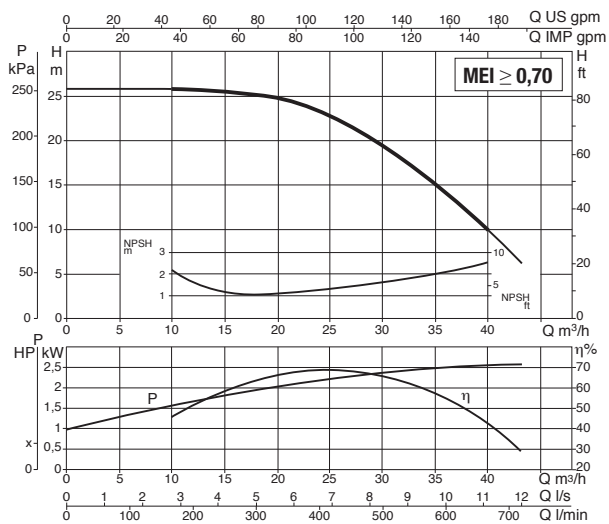
# K 11/500 - SINGLE-IMPELLER CENTRIFUGAL ELECTRIC PUMPS FOR WATER SUPPLY IN DOMESTIC, CIVIL, AND INDUSTRIAL ENVIRONMENTS

Pumped liquid temperature range: from -10 °C to +50°C - Maximum ambient temperature: +40°C



See hydraulic efficiency details on page 291.

The performance curves are based on kinematic viscosity values = 1 mm<sup>2</sup>/s and density equal to 1000 kg/m<sup>3</sup>. Curve tolerance according to ISO 9906.



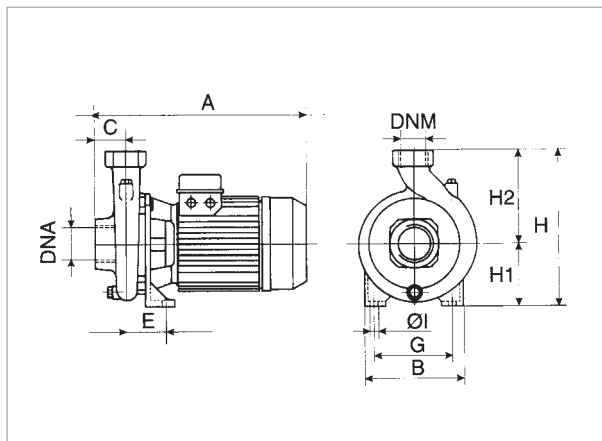
MODEL	ELECTRICAL DATA							
	POWER INPUT 50 Hz	P1 MAX kW	P2 NOMINAL		In A	MOTOR TYPE	I st. A	rpm n. 1/min.
			kW	HP				
K 11/500 T	3x230-400 V ~	2.9	2.2	3	9.3-5.4	IE2	45-26	2950

MODEL	A	B	C	E	G	ØI	H	H1	H2	DNA	DNM	PACKING DIMENSIONS			VOLUME (m <sup>3</sup> )	WEIGHT kg
												L/A	L/B	H		
K 11/500	440	240	62	100	155	14	312	132	180	2 1/2" G	2" G	512	286	345	0.049	34.2



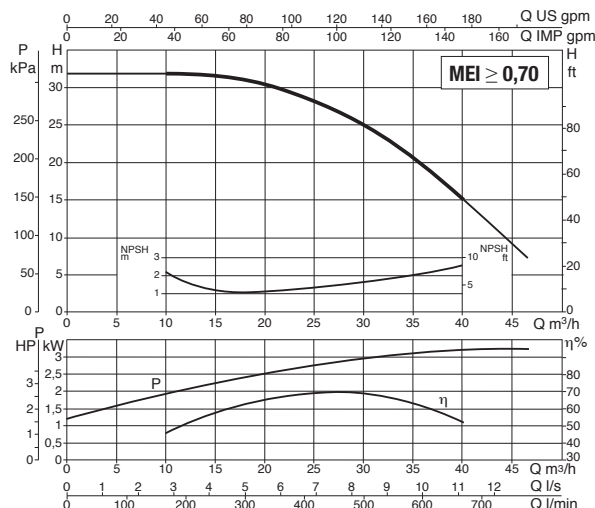
## K 18/500 - SINGLE-IMPELLER CENTRIFUGAL ELECTRIC PUMPS FOR WATER SUPPLY IN DOMESTIC, CIVIL, AND INDUSTRIAL ENVIRONMENTS

Pumped liquid temperature range: from -10 °C to +50°C - Maximum ambient temperature: +40°C



See hydraulic efficiency details on page 291.

The performance curves are based on kinematic viscosity values = 1 mm<sup>2</sup>/s and density equal to 1000 kg/m<sup>3</sup>. Curve tolerance according to ISO 9906.

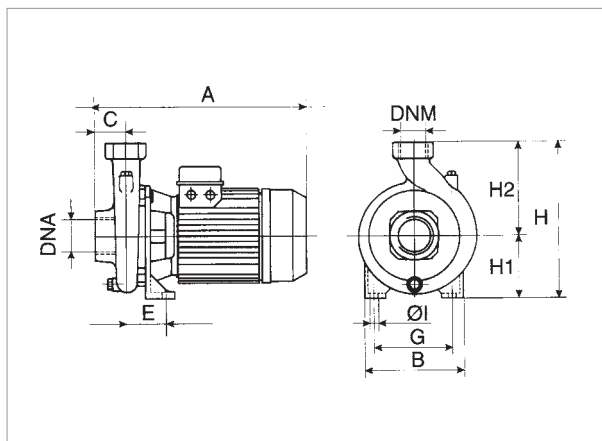


MODEL	POWER INPUT 50 Hz	P1 MAX kW	P2 NOMINAL		In A	MOTOR TYPE	I st. A	rpm n. 1/min.
			kW	HP				
K 18/500 T	3x230-400 V ~	3.8	3	4	13-7.5	IE2	67.5-39	2950

MODEL	A	B	C	E	G	ØI	H	H1	H2	DNA	DNM	PACKING DIMENSIONS			VOLUME (m <sup>3</sup> )	WEIGHT kg
												L/A	L/B	H		
K 18/500	440	240	62	100	155	14	312	132	180	2 1/2" G	2" G	512	286	345	0.049	36.6

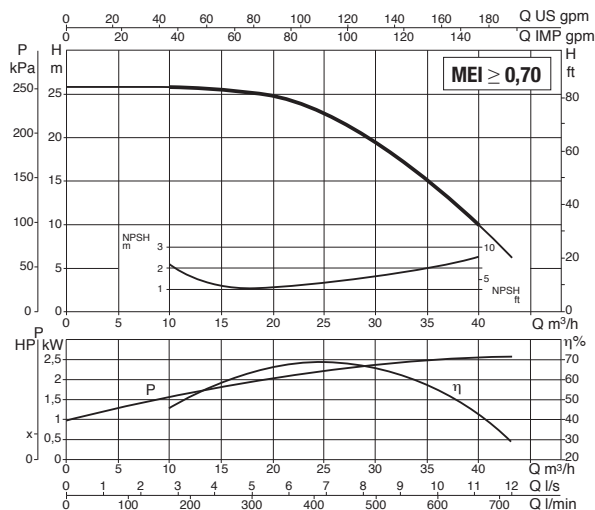
## K 28/500 - SINGLE-IMPELLER CENTRIFUGAL ELECTRIC PUMPS FOR WATER SUPPLY IN DOMESTIC, CIVIL, AND INDUSTRIAL ENVIRONMENTS

Pumped liquid temperature range: from -10 °C to +50°C - Maximum ambient temperature: +40°C



See hydraulic efficiency details on page 291.

The performance curves are based on kinematic viscosity values = 1 mm<sup>2</sup>/s and density equal to 1000 kg/m<sup>3</sup>. Curve tolerance according to ISO 9906.

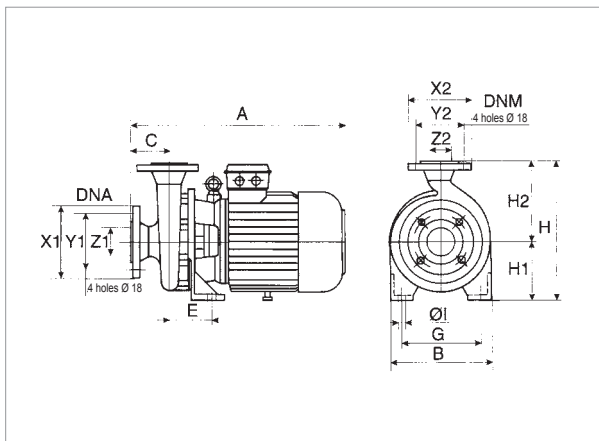


MODEL	POWER INPUT 50 Hz	P1 MAX kW	P2 NOMINAL		In A	MOTOR TYPE	I st. A	rpm n. 1/min.	CAPACITOR	
			kW	HP					µF	Vc
K 28/500 T	3x230-400 V ~	4.55	4	5.5	13.7-8	IE2	104-60	2950	-	-

MODEL	A	B	C	E	G	ØI	H	H1	H2	DNA	DNM	PACKING DIMENSIONS			VOLUME (m <sup>3</sup> )	WEIGHT kg
												L/A	L/B	H		
K 28/500	440	240	62	100	155	14	312	132	180	2 1/2" G	2" G	512	286	345	0.049	40.6

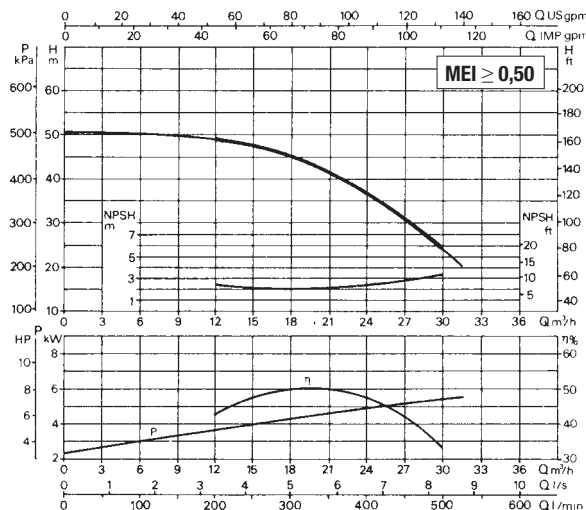
# K 40/400 - SINGLE-IMPELLER CENTRIFUGAL ELECTRIC PUMPS FOR WATER SUPPLY IN DOMESTIC, CIVIL, AND INDUSTRIAL ENVIRONMENTS

Pumped liquid temperature range: from -10 °C to +50°C - Maximum ambient temperature: +40°C



See hydraulic efficiency details on page 291.

The performance curves are based on kinematic viscosity values = 1 mm<sup>2</sup>/s and density equal to 1000 kg/m<sup>3</sup>. Curve tolerance according to ISO 9906.



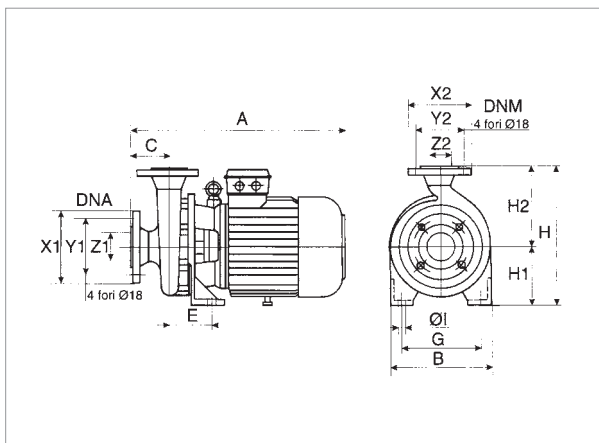
MODEL	POWER INPUT 50 Hz	P1 MAX kW	P2 NOMINAL		In A	MOTOR TYPE	I st. A	rpm n. 1/min.
			kW	HP				
K 40/400 T	3 x 400 V ~ <sup>1</sup>	7	5.5	7.5	11.5	IE2	78	2900

MODEL	A	B	C	E	G	Ø1	H	H1	H2	DNA			DNM			PACKING DIMENSIONS			VOLUME (m <sup>3</sup> )	WEIGHT kg
										x1	y1	z1	x2	y2	z2	L/A	L/B	H		
K 40/400	560	273	100	110	212	14	360	160	200	185	145	65	165	125	50	680	330	572	0.128	79

<sup>1</sup> star start-up possible (A)

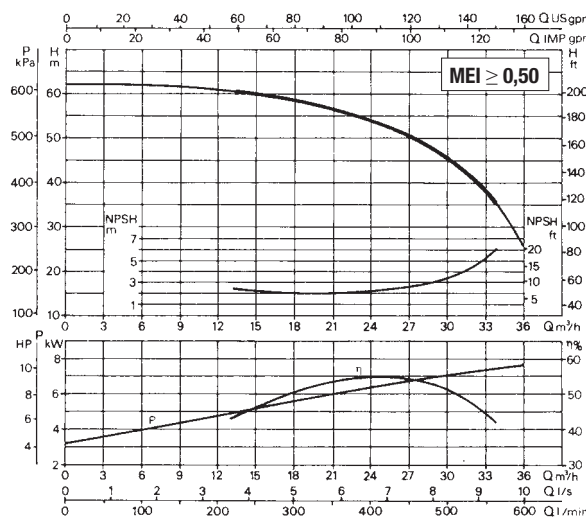
# K 50/400 - SINGLE-IMPELLER CENTRIFUGAL ELECTRIC PUMPS FOR WATER SUPPLY IN DOMESTIC, CIVIL, AND INDUSTRIAL ENVIRONMENTS

Pumped liquid temperature range: from -10 °C to +50°C - Maximum ambient temperature: +40°C



See hydraulic efficiency details on page 291.

The performance curves are based on kinematic viscosity values = 1 mm<sup>2</sup>/s and density equal to 1000 kg/m<sup>3</sup>. Curve tolerance according to ISO 9906.



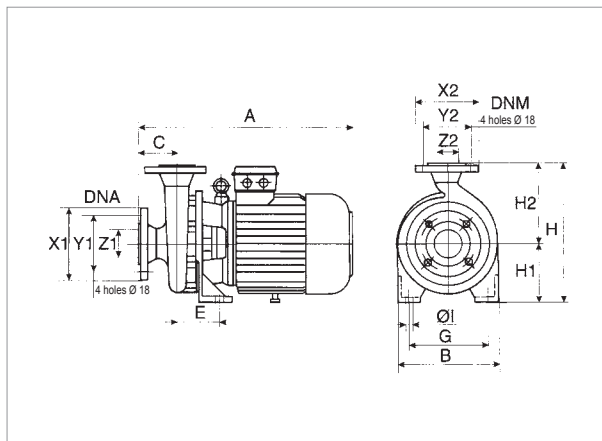
MODEL	POWER INPUT 50 Hz	P1 MAX kW	P2 NOMINAL		In A	MOTOR TYPE	I st. A	rpm n. 1/min.
			kW	HP				
K 50/400 T	3 x 400 V ~ <sup>1</sup>	9	7.5	10	14.5	IE3	112	2910

MODEL	A	B	C	E	G	Ø1	H	H1	H2	DNA			DNM			PACKING DIMENSIONS			VOLUME (m <sup>3</sup> )	WEIGHT kg
										x1	y1	z1	x2	y2	z2	L/A	L/B	H		
K 50/400	560	273	100	110	212	14	360	160	200	185	145	65	165	125	50	680	330	572	0.128	78.8

<sup>1</sup> star start-up possible (A)

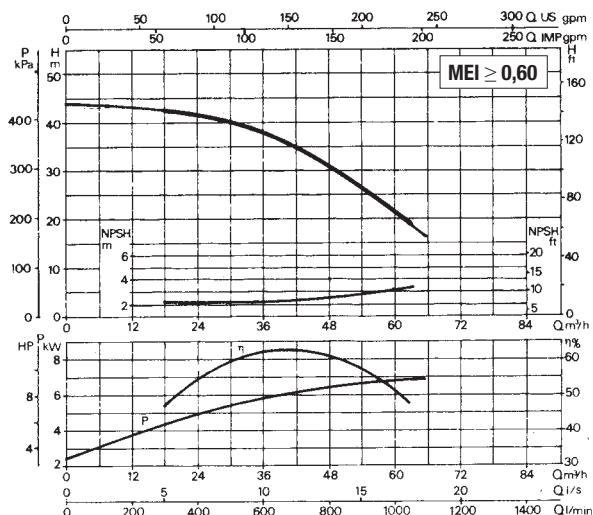
## K 30/800 - SINGLE-IMPELLER CENTRIFUGAL ELECTRIC PUMPS FOR WATER SUPPLY IN DOMESTIC, CIVIL, AND INDUSTRIAL ENVIRONMENTS

Pumped liquid temperature range: from -10 °C to +50°C - Maximum ambient temperature: +40°C



See hydraulic efficiency details on page 291.

The performance curves are based on kinematic viscosity values = 1 mm<sup>2</sup>/s and density equal to 1000 kg/m<sup>3</sup>. Curve tolerance according to ISO 9906.



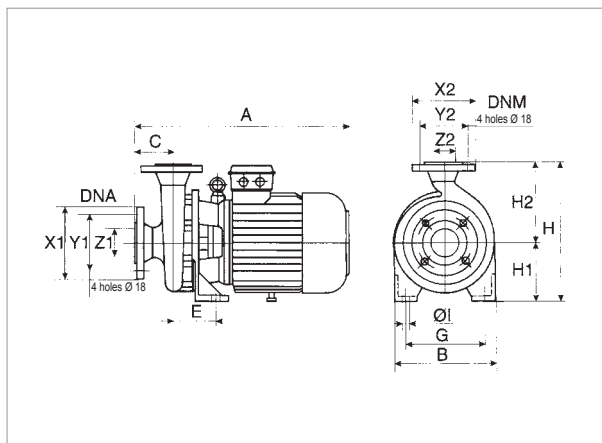
MODEL	POWER INPUT 50 Hz	P1 MAX kW	P2 NOMINAL		In A	MOTOR TYPE	I st. A	rpm n. 1/min.
			kW	HP				
K 30/800 T	3 x 400 V ~ <sup>1</sup>	7.6	7.5	10	13.4	IE3	112	2920

MODEL	A	B	C	E	G	ØI	H	H1	H2	DNA			DNM			PACKING DIMENSIONS			VOLUME (m <sup>3</sup> )	WEIGHT kg
										x1	y1	z1	x2	y2	z2	L/A	L/B	H		
K 30/800	600	273	100	110	212	14	385	160	225	200	160	80	185	145	65	680	330	572	0.128	90.2

<sup>1</sup> star start-up possible ( Δ )

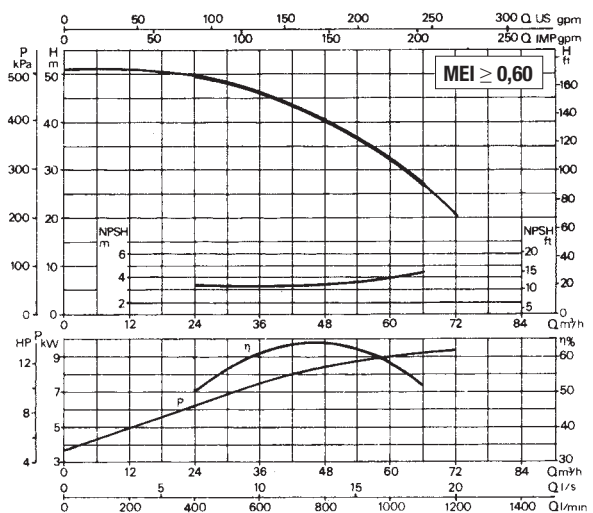
## K 40/800 - SINGLE-IMPELLER CENTRIFUGAL ELECTRIC PUMPS FOR WATER SUPPLY IN DOMESTIC, CIVIL, AND INDUSTRIAL ENVIRONMENTS

Pumped liquid temperature range: from -10 °C to +50°C - Maximum ambient temperature: +40°C



See hydraulic efficiency details on page 291.

The performance curves are based on kinematic viscosity values = 1 mm<sup>2</sup>/s and density equal to 1000 kg/m<sup>3</sup>. Curve tolerance according to ISO 9906.



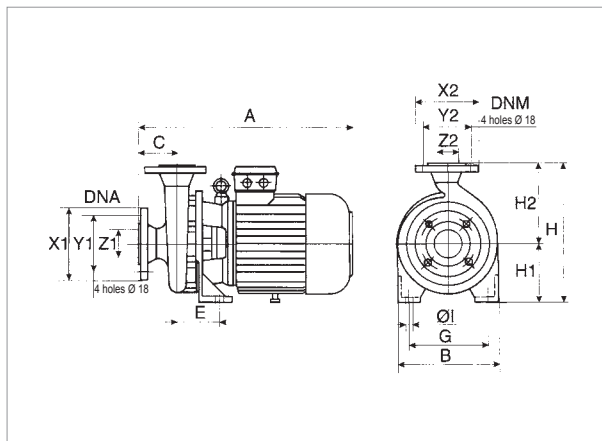
MODEL	POWER INPUT 50 Hz	P1 MAX kW	P2 NOMINAL		In A	MOTOR TYPE	I st. A	rpm n. 1/min.
			kW	HP				
K 40/800 T	3 x 400 V ~ <sup>1</sup>	10.2	9.2	12.5	17.1	IE3	135	2920

MODEL	A	B	C	E	G	I	H	H1	H2	DNA			DNM			PACKING DIMENSIONS			VOLUME (m <sup>3</sup> )	WEIGHT kg
										x1	y1	z1	x2	y2	z2	L/A	L/B	H		
K 40/800	600	273	100	110	212	14	385	160	225	200	160	80	185	145	65	680	330	572	0.128	95

<sup>1</sup> star start-up possible ( Δ )

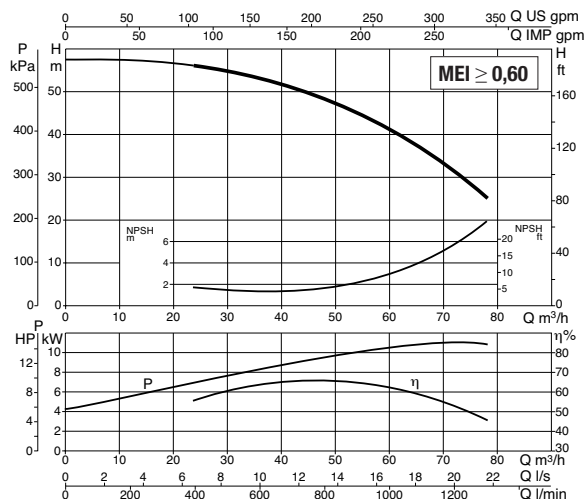
# K 50/800 - SINGLE-IMPELLER CENTRIFUGAL ELECTRIC PUMPS FOR WATER SUPPLY IN DOMESTIC, CIVIL, AND INDUSTRIAL ENVIRONMENTS

Pumped liquid temperature range: from -10 °C to +50°C - Maximum ambient temperature: +40°C



See hydraulic efficiency details on page 291.

The performance curves are based on kinematic viscosity values = 1 mm<sup>2</sup>/s and density equal to 1000 kg/m<sup>3</sup>. Curve tolerance according to ISO 9906.



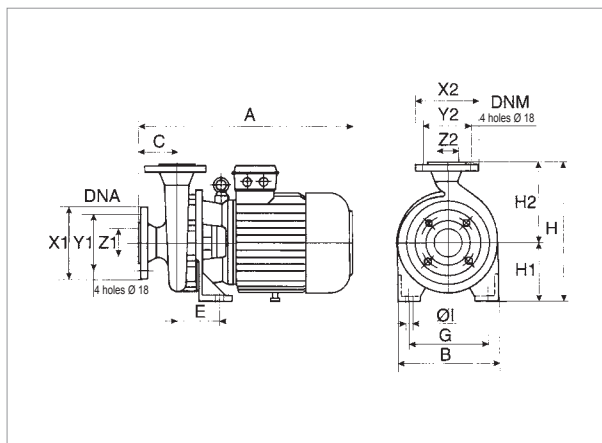
MODEL	POWER INPUT 50 Hz	P1 MAX kW	P2 NOMINAL		In A	MOTOR TYPE	I st. A	rpm n. 1/min.
			kW	HP				
K 50/800 T	3 x 400 V ~ <sup>1</sup>	11.6	11	15	20	IE3	193	2900

MODEL	A	B	C	E	G	ØI	H	H1	H2	DNA			DNM			PACKING DIMENSIONS			VOLUME (m <sup>3</sup> )	WEIGHT kg
										x1	y1	z1	x2	y2	z2	L/A	L/B	H		
K 50/800	600	273	100	110	212	14	385	160	225	200	160	80	185	145	65	680	330	572	0.128	104.3

<sup>1</sup> star start-up possible (Δ)

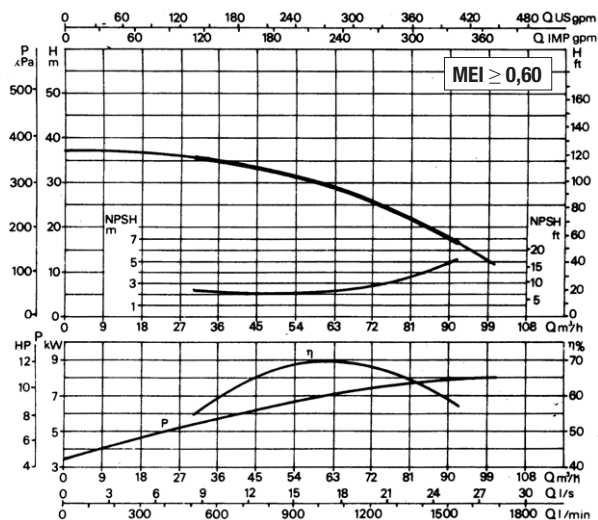
# K 20/1200 - SINGLE-IMPELLER CENTRIFUGAL ELECTRIC PUMPS FOR WATER SUPPLY IN DOMESTIC, CIVIL, AND INDUSTRIAL ENVIRONMENTS

Pumped liquid temperature range: from -10 °C to +50°C - Maximum ambient temperature: +40°C



See hydraulic efficiency details on page 291.

The performance curves are based on kinematic viscosity values = 1 mm<sup>2</sup>/s and density equal to 1000 kg/m<sup>3</sup>. Curve tolerance according to ISO 9906.



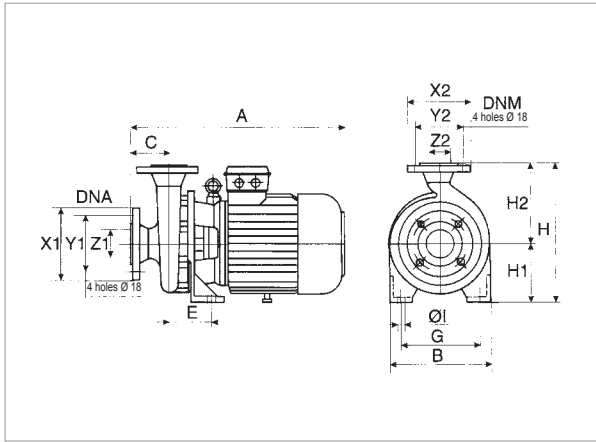
MODEL	POWER INPUT 50 Hz	P1 MAX kW	P2 NOMINAL		In A	MOTOR TYPE	I st. A	rpm n. 1/min.
			kW	HP				
K 20/1200 T	3 x 400 V ~ <sup>1</sup>	8.3	7.5	10	15	IE3	112	2920

MODEL	A	B	C	E	G	ØI	H	H1	H2	DNA			DNM			PACKING DIMENSIONS			VOLUME (m <sup>3</sup> )	WEIGHT kg
										x1	y1	z1	x2	y2	z2	L/A	L/B	H		
K 20/1200	600	273	100	110	212	14	385	160	225	200	160	80	185	145	65	680	330	572	0.128	88

<sup>1</sup> star start-up possible (Δ)

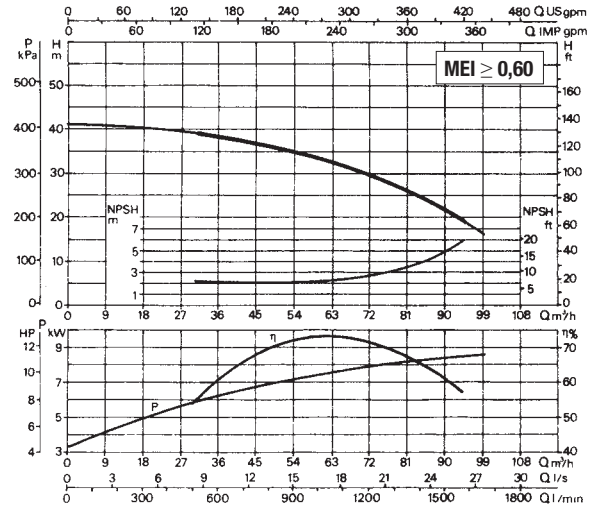
## K 25/1200 - SINGLE-IMPELLER CENTRIFUGAL ELECTRIC PUMPS FOR WATER SUPPLY IN DOMESTIC, CIVIL, AND INDUSTRIAL ENVIRONMENTS

Pumped liquid temperature range: from -10 °C to +50°C - Maximum ambient temperature: +40°C



See hydraulic efficiency details on page 291.

The performance curves are based on kinematic viscosity values = 1 mm<sup>2</sup>/s and density equal to 1000 kg/m<sup>3</sup>. Curve tolerance according to ISO 9906.



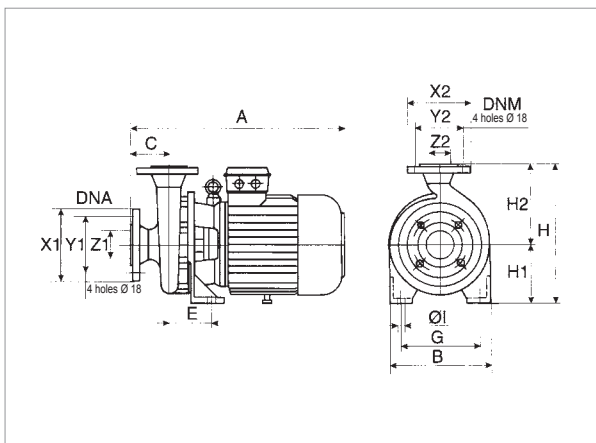
MODEL	ELECTRICAL DATA							
	POWER INPUT 50 Hz	P1 MAX kW	P2 NOMINAL		I <sub>n</sub> A	MOTOR TYPE	I <sub>st.</sub> A	rpm n. 1/min.
			kW	HP				
K 25/1200 T	3 x 400 V ~ <sup>1</sup>	9.1	9.2	12.5	17.3	IE3	135	2910

MODEL	A	B	C	E	G	Ø1	H	H1	H2	DNA			DNM			PACKING DIMENSIONS			VOLUME (m <sup>3</sup> )	WEIGHT kg
										x1	y1	z1	x2	y2	z2	L/A	L/B	H		
K 25/1200	600	273	100	110	212	14	385	160	225	200	160	80	185	145	65	680	330	572	0.128	94

<sup>1</sup> star start-up possible (Λ)

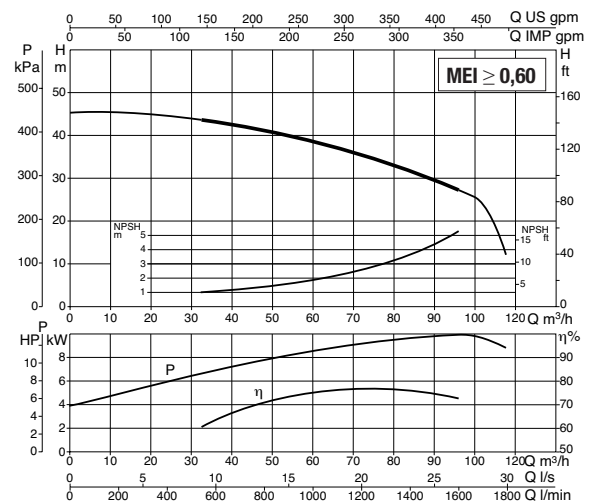
## K 35/1200 - SINGLE-IMPELLER CENTRIFUGAL ELECTRIC PUMPS FOR WATER SUPPLY IN DOMESTIC, CIVIL, AND INDUSTRIAL ENVIRONMENTS

Pumped liquid temperature range: from -10 °C to +50°C - Maximum ambient temperature: +40°C



See hydraulic efficiency details on page 291.

The performance curves are based on kinematic viscosity values = 1 mm<sup>2</sup>/s and density equal to 1000 kg/m<sup>3</sup>. Curve tolerance according to ISO 9906.



MODEL	ELECTRICAL DATA							
	POWER INPUT 50 Hz	P1 MAX kW	P2 NOMINAL		I <sub>n</sub> A	MOTOR TYPE	I <sub>st.</sub> A	rpm n. 1/min.
			kW	HP				
K 35/1200 T	3 x 400 V ~ <sup>1</sup>	10.6	11	15	18.4	IE3	193	2900

MODEL	A	B	C	E	G	Ø1	H	H1	H2	DNA			DNM			PACKING DIMENSIONS			VOLUME (m <sup>3</sup> )	WEIGHT kg
										x1	y1	z1	x2	y2	z2	L/A	L/B	H		
K 35/1200	600	273	100	110	212	14	385	160	225	200	160	80	185	145	65	680	330	572	0.128	100

<sup>1</sup> star start-up possible (Λ)