



# Technical Specification:

## Specification

DN15 (1/2 inch)

DN20 (3/4 inch)

Nominal Pressure

PN16

Working Temperature, °C

≤ 50

Application Medium

Potable Water

Material

C 3771 (Nickel Plated)

## Dimension

A

60.5

70

B

Ø 14.5

Ø 19

C

G 1/2

G 3/4

D

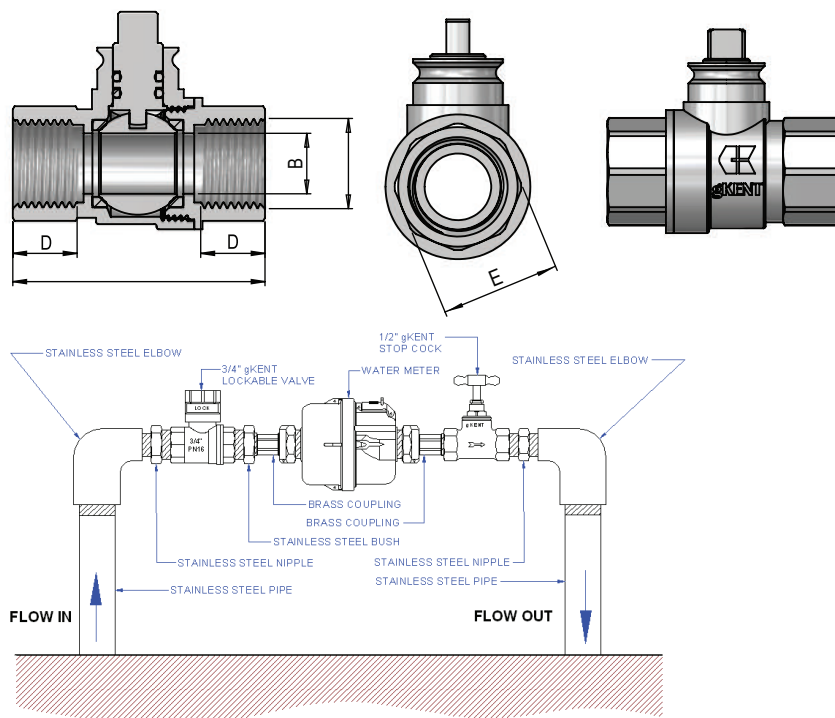
15

16

E

26

32



\* All dimensions are in "mm" unless otherwise stated



### George Kent (Malaysia) Berhad (1945-X)

George Kent Technology Center  
 1115 Jalan Puchong, Taman Meranti Jaya,  
 47120 Puchong, Selangor, Malaysia.  
 Tel : +603-8064 8000  
 Fax : +603-8061 9926  
[www.georgekent.net](http://www.georgekent.net)



Continuous improvement is one of our company policy. George Kent (Malaysia) Berhad reserves the right to modify the specifications without prior notice.