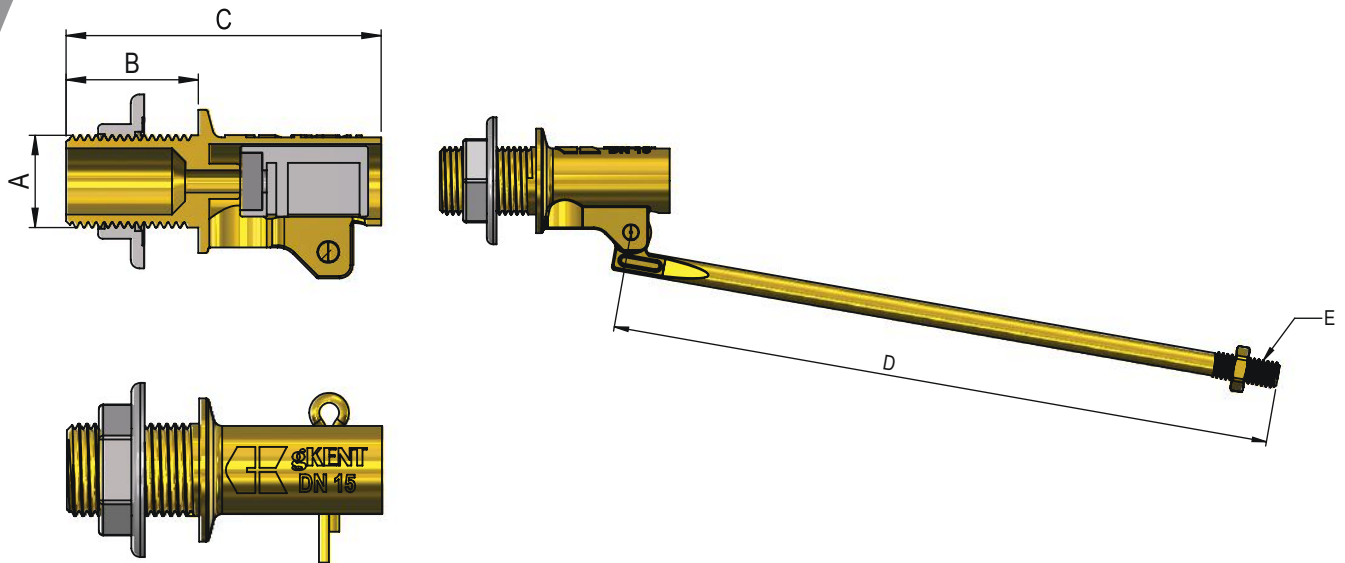


Technical Specification:

Specification	DN15 (1/2 inch)	DN20 (3/4 inch)	DN25 (1 inch)
Nominal Pressure	PN16		
Working Temperature, °C	≤ 50		
Application Medium	Potable Water		
Material	C 3771		

Dimension

	DN15 (1/2 inch)	DN20 (3/4 inch)	DN25 (1 inch)
A	G 1/2 B	G 3/4 B	G 1 B
B	30	35	36.5
C	71	81	92.5
D	206	206	407
E	5/16 × 18 TPI	5/16 × 18 TPI	5/16 × 18 TPI



* All dimensions are in "mm" unless otherwise stated



George Kent (Malaysia) Berhad (1945-X)

George Kent Technology Center
 1115 Jalan Puchong, Taman Meranti Jaya,
 47120 Puchong, Selangor, Malaysia.
 Tel : +603-8064 8000
 Fax : +603-8061 9926
www.georgekent.net



Continuous improvement is one of our company policy. George Kent (Malaysia) Berhad reserved the right to modify the specifications without prior notice.