



# Technical Specification:

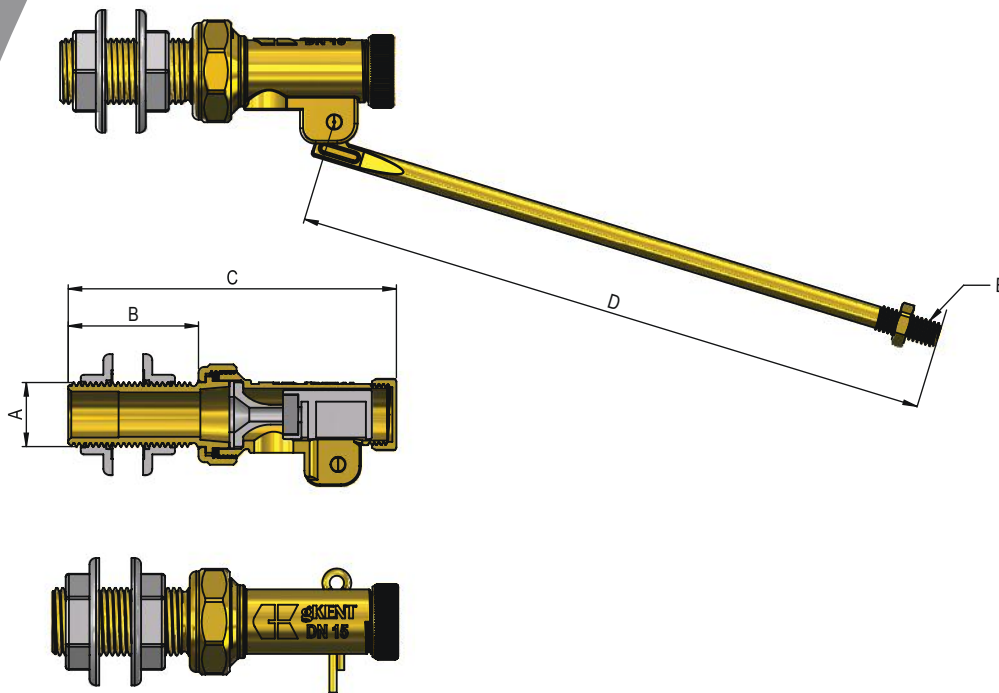
## Specification

DN15 (1/2 inch)

Nominal Pressure	PN16
Working Temperature, °C	≤ 50
Application Medium	Potable Water
Material	C 3771

## Dimension

A	G 1/2 B
B	41 min
C	107 min
D	206
E	5/16 × 18 TPI



\* All dimensions are in "mm" unless otherwise stated



### George Kent (Malaysia) Berhad (1945-X)

George Kent Technology Center  
1115 Jalan Puchong, Taman Meranti Jaya,  
47120 Puchong, Selangor, Malaysia.

Tel : +603-8064 8000

Fax : +603-8061 9926

[www.georgekent.net](http://www.georgekent.net)



Continuous improvement is one of the company policy. We reserved the right to modify the specifications without prior notice.