

**SPECIFICATION**

- Wafer Type Butterfly Valve PN16
- Two-Piece-Stem pinless design
- ISO 5211 DIN3337 direct mounting pad

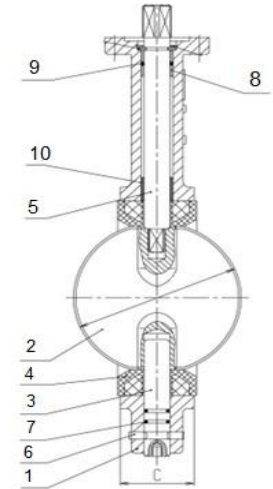
Design Standard : BS EN593 / API 609  
 Face to Face : BS EN558-1 / API 609  
 Flange Connection : EN1092-1 PN10/16 JIS B2210 10K  
 : DIN 2501 PN10/16 ANSI B16 125/150  
 Test Standard : BS EN 12266-1 / API 598  
 Pressure Rating : 16 bar  
 Working Temperature : NBR -10 to +80 °C  
 : EPDM -15 to +110 °C  
 : VITON -20 to +140 °C



**#ACM / ACP - CAST IRON / DUCTILE IRON BODY**

**MATERIAL LIST**

NO.	PART NAME	MATERIAL	
		ACM	ACP
1	Body	Cast Iron	Ductile Iron
2	Disc	CF8	CF8M
3	Lower stem	SS410	SS410
4	Seat	EPDM	EPDM
5	Upper stem	SS410	SS410
6	Lock pin	AISI1066	AISI1066
7	Lower O-ring	EPDM	EPDM
8	Bushing	PTFE	PTFE
9	O-ring	EPDM	EPDM
10	Bushing	PTFE	PTFE

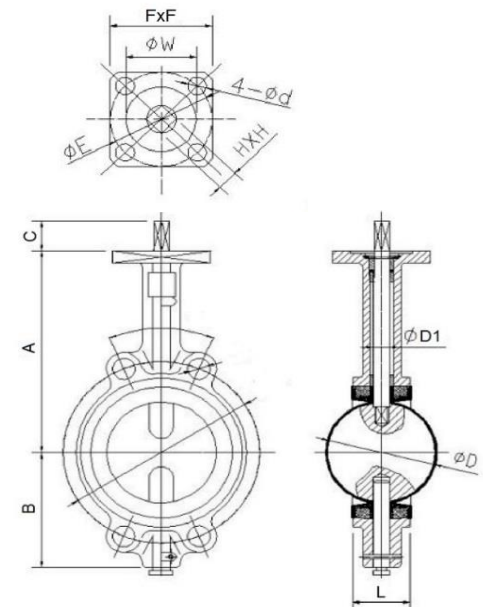


**APPLICATIONS**

- Suitable for Hot / Cold Water, Oil, Gas & Air

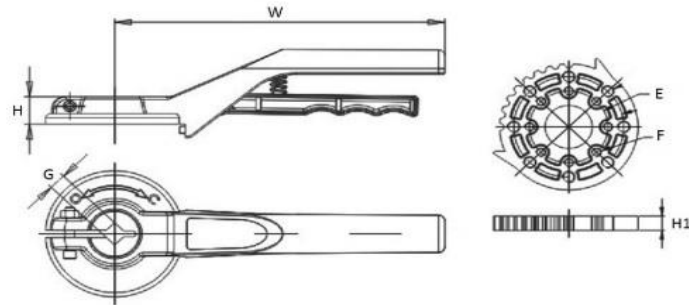
**DIMENSIONS (mm)**

Size	Inch	1-1/2	2	2-1/2	3	4	5	6	8	10	12	14	16	18	20	24
	DN	40	50	65	80	100	125	150	200	250	300	350	400	450	500	600
L	33	43	46	46	52	56	56	60	68	78	78	102	114	127	154	
A	138	161	175	181	200	215	226	260	292	337	368	400	422	480	562	
B	75	80	89	95	114	127	139	175	203	242	267	309	345	360	475	
C	25	25	25	25	25	35	35	35	35	25	25	25	60	60	82	
∅ D	42.6	52.6	64.3	78.8	104.0	123.3	155.7	202.6	250.4	301.5	333.3	389.6	440.5	491.6	592.5	
∅ D1	12.60	12.60	12.60	15.77	15.77	18.92	18.92	22.10	28.45	31.60	31.60	37.95	42.86	45.72	53.98	
TOP FLANGE	FxF	50	50	50	50	70	70	70	70	102	102	102	140	140	165	165
	W	35	35	35	35	55	55	55	55	70	70	70	100	100	130	130
	∅ d	7	7	7	7	10	10	10	10	12	12	12	18	18	23	23
	HxH	9x9	9x9	9x9	11x11	11x11	14x14	14x14	17x17	22x22	22x22	22x22	27x27	27x27	36x36	36x36
	∅ E	50	50	50	50	70	70	70	70	102	102	102	140	140	165	165
	ISO	F05	F05	F05	F05	F07	F07	F07	F07	F10	F10	F10	F10	F14	F14	F16
Weight (kg)	2.0	2.1	2.8	3.1	4.5	6.8	8.7	13.9	19.7	28.7	41.3	59.8	79.0	128.0	188.0	



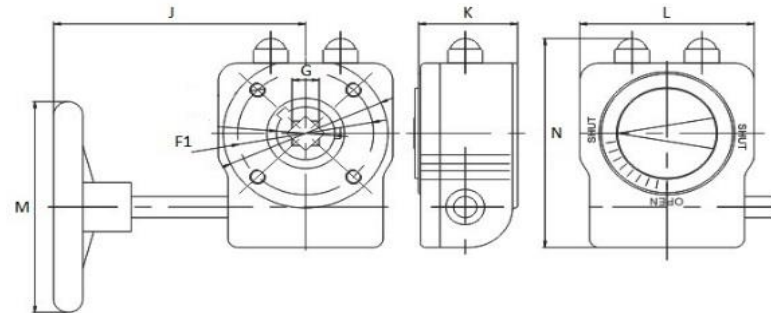
The specification and dimensions are subject to change without prior notice!

**ALUMINUM HAND LEVER**



**HANDWHEEL GEARBOX**

- ISO 5211 Direct Mounting
- Weatherproof IP65
- Adjustable angle -5 °C to +5 °C
- Filled with special lubricant



**MATERIAL LIST**

NO.	PART NAME	ACMG
1	Body	Aluminum alloy
2	Worm gear	Ductile iron
3	Worm	Carbon steel
4	Shaft	Stainless steel
5	Handwheel	Carbon steel

**ALUMINUM HAND LEVER / GEARBOX**

Valve Size	Inch	1-1/2	2	2-1/2	3	4	5	6	8	10	12	14	16	18	20	24			
	DN	40	50	65	80	100	125	150	200	250	300	350	400	450	500	600			
Hand Lever	Art No.	ACML-09			ACML-11		ACML-14		ACML-17		--	--	--	--	--	--	--		
	G	9x9			11x11		14x14		17x17		--	--	--	--	--	--	--		
	H	14			14		23		23		--	--	--	--	--	--	--		
	H1	10			10		12		12		--	--	--	--	--	--	--		
	W	210			210		340		340		--	--	--	--	--	--	--		
Handwheel Gearbox	Art No.	ACMG-09			ACMG-11		ACMG-14		ACMG-17		ACMG-22		ACMG-27/A		ACMG-36				
	Output Torque	Nm	180			180		300		540		675		1300		1500		3250	
	G	9x9			11x11		14x14		17x17		22x22		27x27		36x36				
	J	160			160		160		215		225		325		375		395		
	K	48			48		48		56		69		83		95		105		
	L	80			80		80		120		142		178		185		230		
	M	140			140		200		250		300		400		400		600		
	N	115			115		115		150		180		215		225		268		
	F1	F05/F07			F05/F07		F07		F07/F10		F10/F12		F14		F14		F16		
Weight for Gearbox (Lever)	kg	1.2 (0.4)			1.2 (0.4)		2.1 (0.95)		3.5 (0.95)		4.8		8.5		9.5		17.5		

The specification and dimensions are subject to change without prior notice!

**PNEUMATIC ACTUATOR**

- High performance Rack & Pinion design
- Aesthetically compact and modern design
- 17 different model sizes from P32 to P350
- Standard working temperature -20 to +80 °C
- Adjustable closing angle -5° to +5°
- ISO 5211 and NAMUR mounting standards
- Recommended Air supply 6 bar, lubrication not required

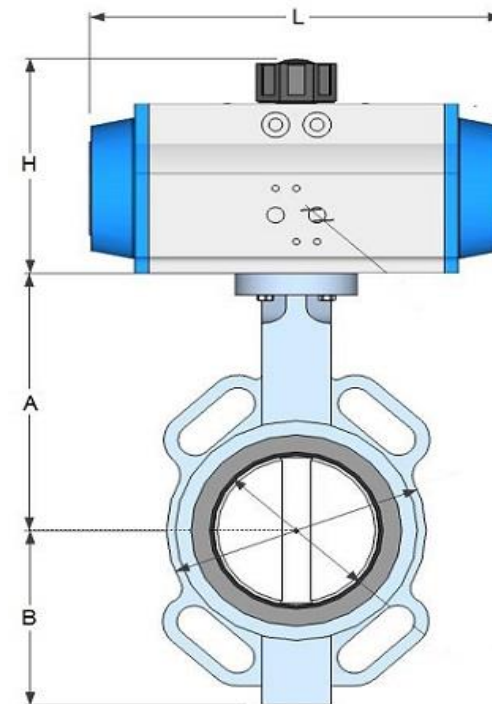
Body : Anodized aluminum ASTM6063, UNI4522  
 End Caps : Die-cast aluminum, epoxy coated  
 Pistons : Die-cast aluminum UNI 5076  
 Pinion : Carbon steel, options for stainless steel  
 Bearing : Technopolymer  
 Seals : NBR, options for Viton or Silicon

**BUTTERFLY VALVE**

- Wafer Type Butterfly Valve PN16
- Two-Piece-Stem pinless design
- ISO 5211 DIN3337 direct mounting pad

Design Standard : BS EN593 / API 609  
 Face to Face : BS EN558-1 / API 609  
 Flange Connection : EN1092-1 PN10/16 JIS B2210 10K  
 : DIN 2501 PN10/16 ANSI B16 125/150  
 Test Standard : BS EN 12266-1 / API 598  
 Pressure Rating : 16 bar  
 Working Temperature: NBR -10 to +80 °C  
 : EPDM -15 to +110 °C  
 : VITON -20 to +140 °C

**#ACM / ACP + #ASP-P  
 BUTTERFLY VALVE + PNEUMATIC ACTUATOR**



**APPLICATIONS**

- Suitable for Hot / Cold Water, Oil, Gas & Air

**BUTTERFLY VALVE + PNEUMATIC ACTUATOR**

Valve Size	Inch	1-1/2	2	2-1/2	3	4	5	6	8	10	12	14	16	18	20	24
	DN	40	50	65	80	100	125	150	200	250	300	350	400	450	500	600
Valve Torque (Nm)	PN10	13	14	15	22	37	58	94	174	286	380	550	755	1012	1350	2111
	PN16	13	15	17	23	40	62	102	192	323	430	625	846	1131	1431	2301
	A	138	161	175	181	200	215	226	260	292	337	368	400	422	480	562
	B	75	80	89	95	114	127	139	175	203	242	267	309	345	360	475
Double Acting Actuator	Art No.	ASP-P050		P063		P075	P088	P100	P115	P125	P145	P160	P210		P240	
	H	99		115		132	145	157	185	197	218	240	297		331	
	L	146		163		214	252	270	316	354	418	450	530		660	
Single Acting Actuator	Art No.	ASP-P07510			P08810	P10010	P11510	P12510	--	--	--	--	--	--	--	--
	H	214			215	226	260	292	--	--	--	--	--	--	--	--
	L	200			127	139	175	203	--	--	--	--	--	--	--	--
Double Acting Weight (kg)																
Single Acting Weight (kg)																

The specification and dimensions are subject to change without prior notice!

**ELECTRIC ACTUATOR**

- Aesthetically compact and modern design
- Standard working temperature -20 to +60 °C
- Adjustable closing angle -5 °C to +5 °C
- ISO 5211 and NAMUR mounting standards

Enclosure : Weather-proof IP67  
 Main Power : 110/220VAC 1PH, 50/60Hz, 24VDC  
 Motor : Squirrel cages induction motor  
 Limit Switches : 2-SPDT 250VAC/10A (6A for ATM50/80)  
 Torque switches : 1 ea for open & closed (except ATM50/80/100)  
 Manual Override : De-clutchable (wrench for ATM/5080)  
 Stall Protection : Built-in thermal protection (except ATM50/80)  
 Space Heater : 5W for anti condensation 110/220VAC (except ATM50)  
 Cable Entry : 2-PF3/4" (terminal box 2-PF1/2" ATM50/80)

**APPLICATIONS**

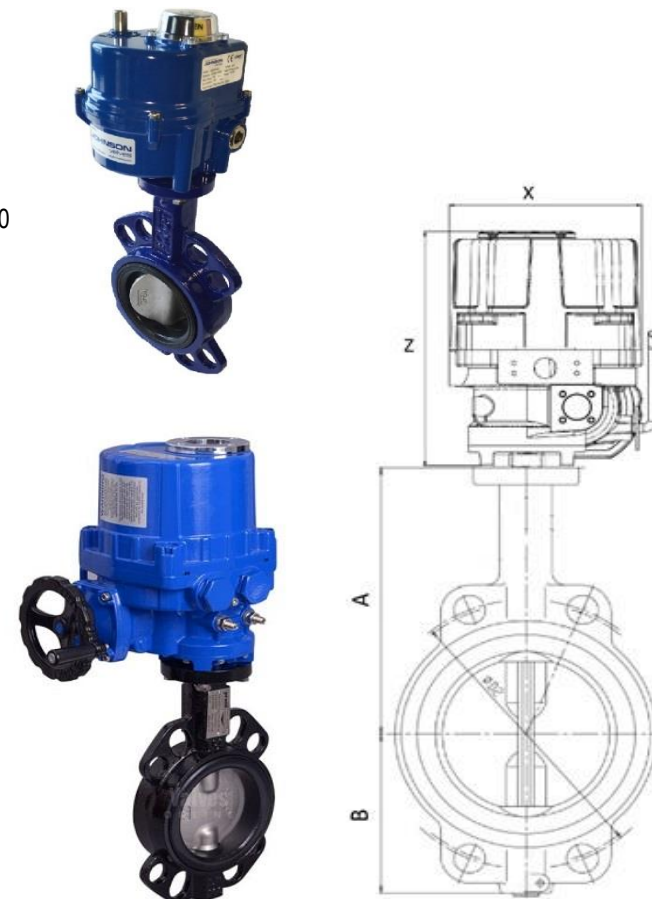
- Suitable for Hot / Cold Water, Oil, Gas & Air

**BUTTERFLY VALVE**

- Wafer Type Butterfly Valve PN16
- Two-Piece-Stem pinless design
- ISO 5211 DIN3337 direct mounting pad

Design Standard : BS EN593 / API 609  
 Face to Face : BS EN558-1 / API 609  
 Flange Connection : EN1092-1 PN10/16 JIS B2210 10K  
 Test Standard : DIN 2501 PN10/16 ANSI B16 125/150  
 Test Standard : BS EN 12266-1 / API 598  
 Pressure Rating : 16 bar  
 Working Temperature : NBR -10 to +80 °C  
 : EPDM -15 to +110 °C  
 : VITON -20 to +140 °C

**#ACM / ACP + #ATM  
 BUTTERFLY VALVE + ELECTRIC ACTUATOR**



**BUTTERFLY VALVE + ELECTRIC ACTUATOR**

Valve Size	Inch	1-1/2	2	2-1/2	3	4	5	6	8	10	12	14	16	18	20	24
	DN	40	50	65	80	100	125	150	200	250	300	350	400	450	500	600
Valve Torque (Nm)	PN10	13	14	15	22	37	58	94	174	286	380	550	755	1012	1350	2111
	PN16	13	15	17	23	40	62	102	192	323	430	625	846	1131	1431	2301
	A	138	161	175	181	200	215	226	260	292	337	368	400	422	480	562
	B	75	80	89	95	114	127	139	175	203	242	267	309	345	360	475
Electric Actuator	Art No.	ATM50				ATM80	ATM100	ATM160	ATM240	ATM350	ATM500	ATM800	ATM1100	ATM2000		ATM3000
	X	122				125	158	206		222		239		307		
	Z	59				82	242	276		294		326		394		
Weight (kg)																

The specification and dimensions are subject to change without prior notice!