

SPECIFICATION

- Wafer Type PN16 Ball Valve
- Standard Valve Seat R-PTFE
- ISO 5211 DIN3337 direct mounting pad
- End Connection: PN 16
- Working Pressure: PN 16/40

APPLICATIONS

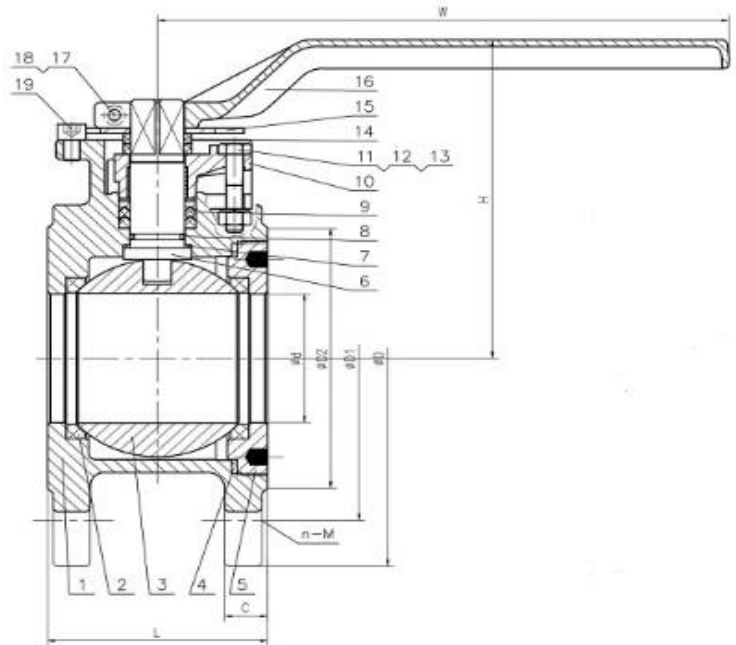
- Suitable for Water, Oil, Gas, Air & Steam
- Working Temperature up to 180° C

AT128F - SS316 BODY



MATERIAL LIST

NO.	PART NAME	MATERIAL
1	Body	CF8M
2	Seat	RPTFE
3	Ball	SS316
4	Gasket	RPTFE
5	Bonnet	CF8M
6	Stem	SS316
7	Stem Washer	PTFE
8	O-Ring	VITON
9	Packing	RPTFE
10	Gland	SS304
11	Bolt	SS304
12	Spring Washer	SS304
13	Nut	SS304
14	Handle Washer	SS304
15	Stopper	SS304
16	Handle	SS201
17	Bolt	SS304
18	Nut	SS304
19	Bolt	SS304



DIMENSIONS (mm)

Size (inch)	1-1/2	2	2-1/2	3	4
DN	40	50	65	80	100
d	38	50	58	76	90
L	62	78	90	110	134
H	118	123	131	164	194
W	210	210	210	270	350
Ø D	145	160	180	195	215
Ø D1	110	125	145	160	180
Ø D2	85	100	120	130	155
C	14.5	15	16	18	19
f	2	2	2	3	3
n - M	4-M16	4-M16	4-M16	8-M16	8-M16
Weight (kg)					

The specification and dimensions are subject to change without prior notice!