

How to construct a folding gate

如何制作一副折合门

Author: SW Boon

Intelligent Network Sdn. Bhd.

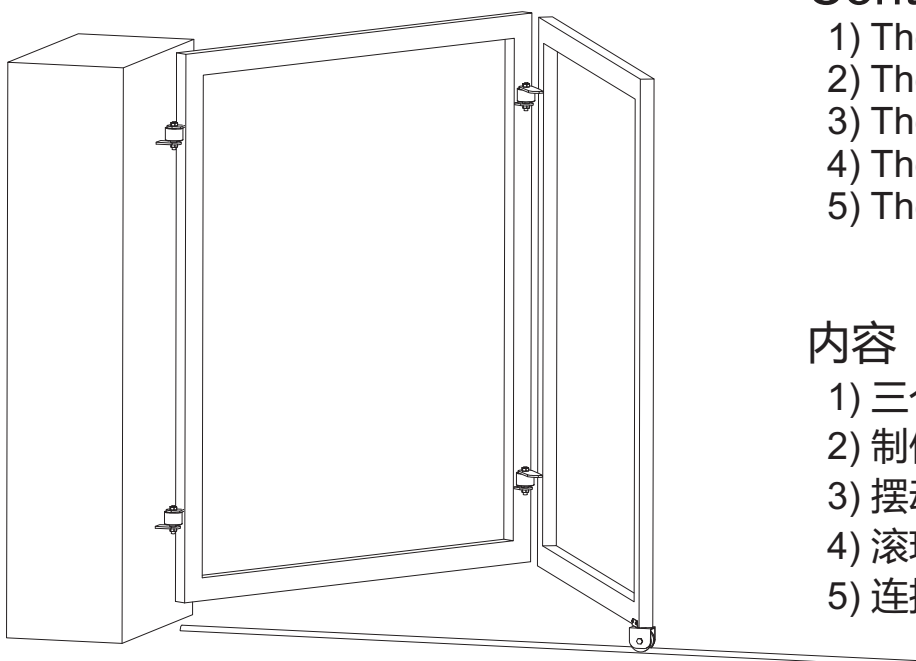
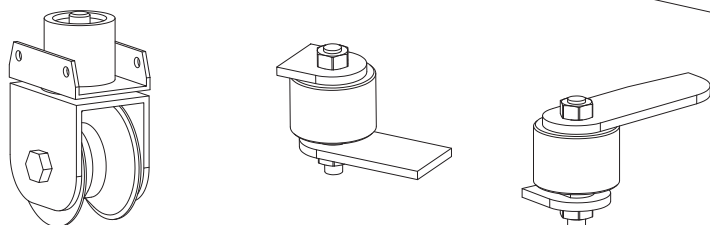
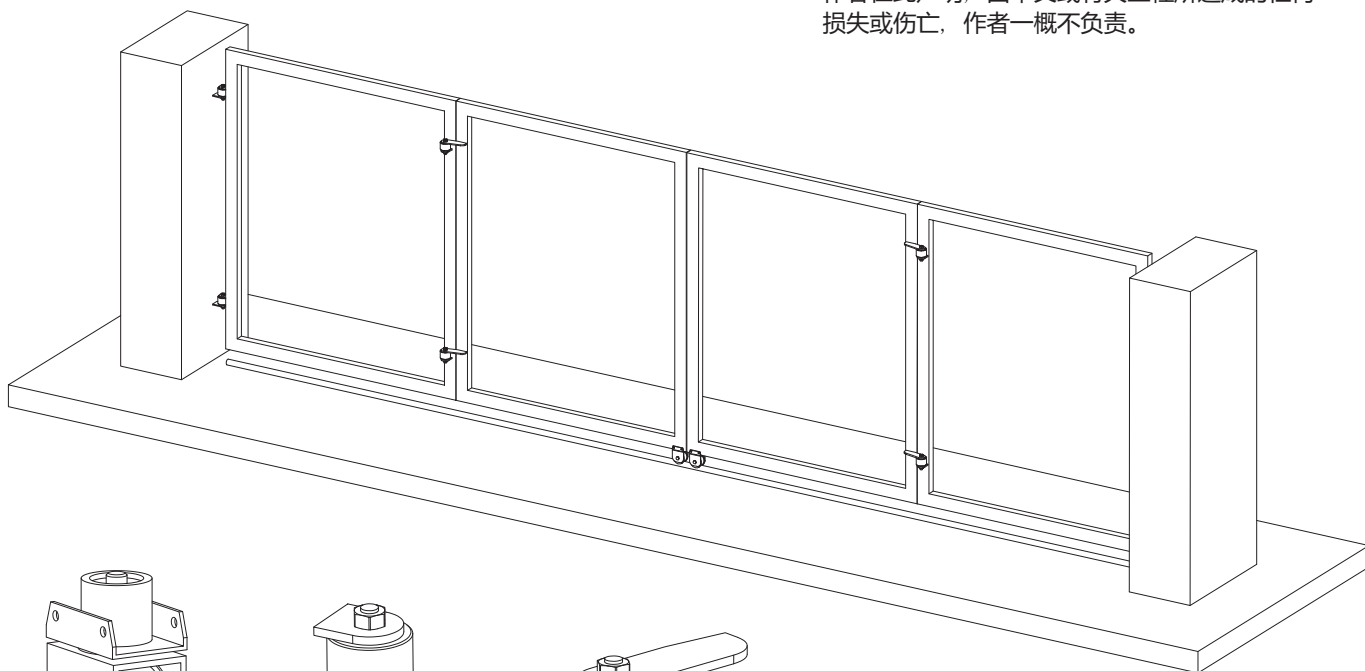
<http://www.dcmoto.my>

Tel: (+60) 04-229 8185

email: dcmoto.penang@yahoo.com

The application notes are the original works by the author. Copyright is reserved. Reproduction is prohibited. The contents are solely for professional reference purpose. Readers are free to use the information provided, including the design, shapes and dimension to construct the project. You are informed that the author will hold no responsibility against any damages, including injury or death arise from the works.

此应用指南乃作者原创，版权所有，不可翻印。此指南只供专业参考用途。读者可自由应用所提供的资料，包括设计，形状，尺寸以进行工程。作者在此声明，因本文或有关工程所造成的任何损失或伤亡，作者一概不负责。



Contents:

- 1) The 3 common problems
- 2) The dimensions guide
- 3) The swivel roller
- 4) The ball bearing hinge
- 5) The connecting brackets

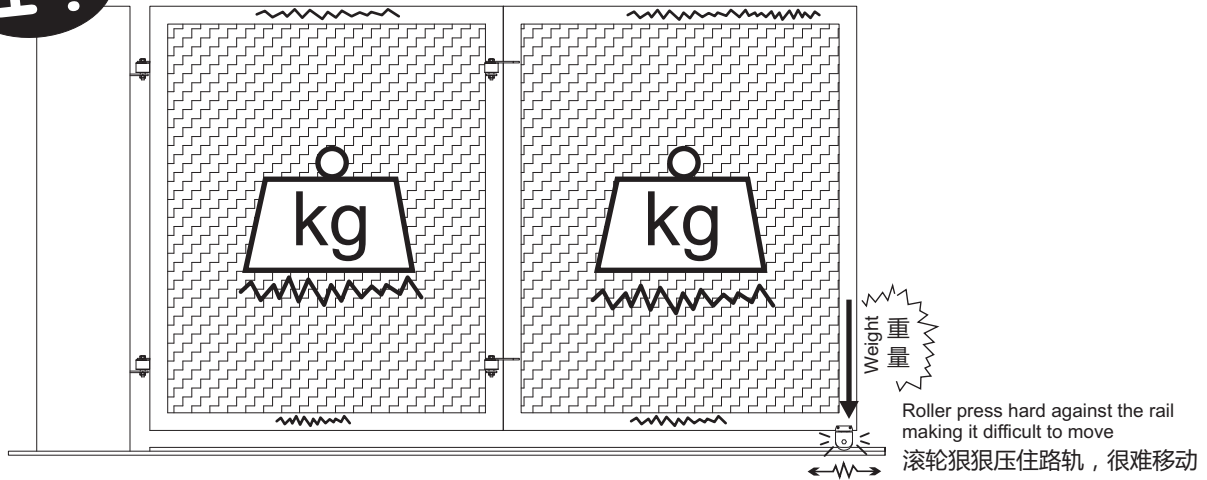
内容：

- 1) 三个常见的问题
- 2) 制作尺寸的指导
- 3) 摆动滚轮
- 4) 滚珠轴承门铰链
- 5) 连接机构

The 3 common problems encountered during constructing a folding gate 制作折合门时常面对的三个问题

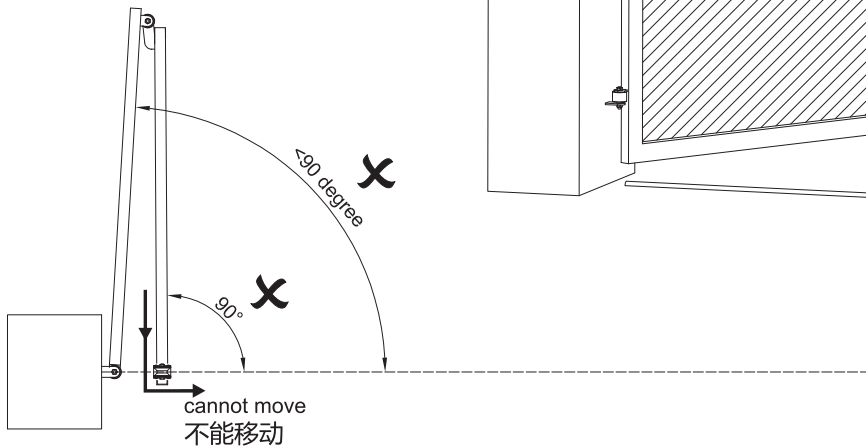
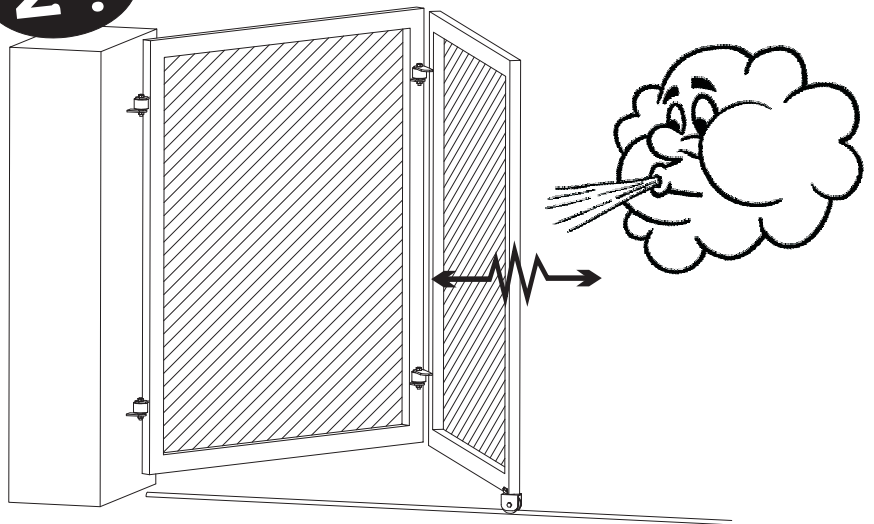
1!

Too much heavy material, like solid metal bar or wood panel, causing the structure to sag
用料过重（如实心钢材或木块）造成结构下垂



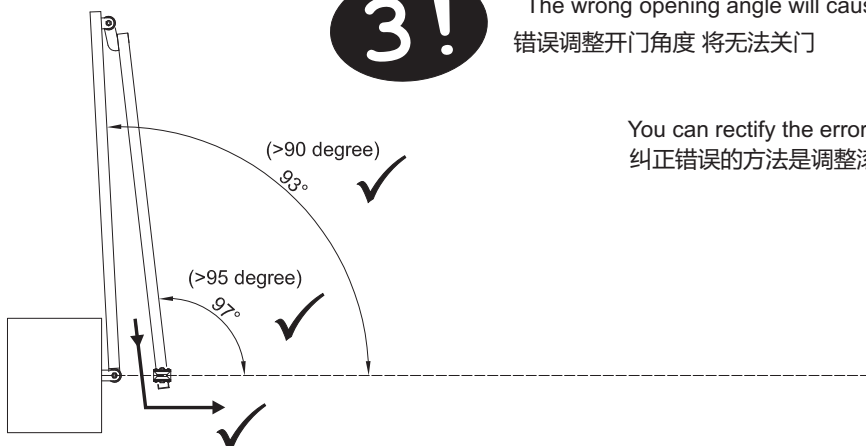
2!

Too much enclosed surface will have problem during a windy day
过多面积被覆盖，容易被风吹干扰正常操作

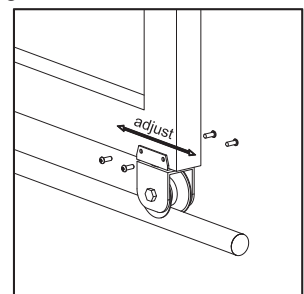


3!

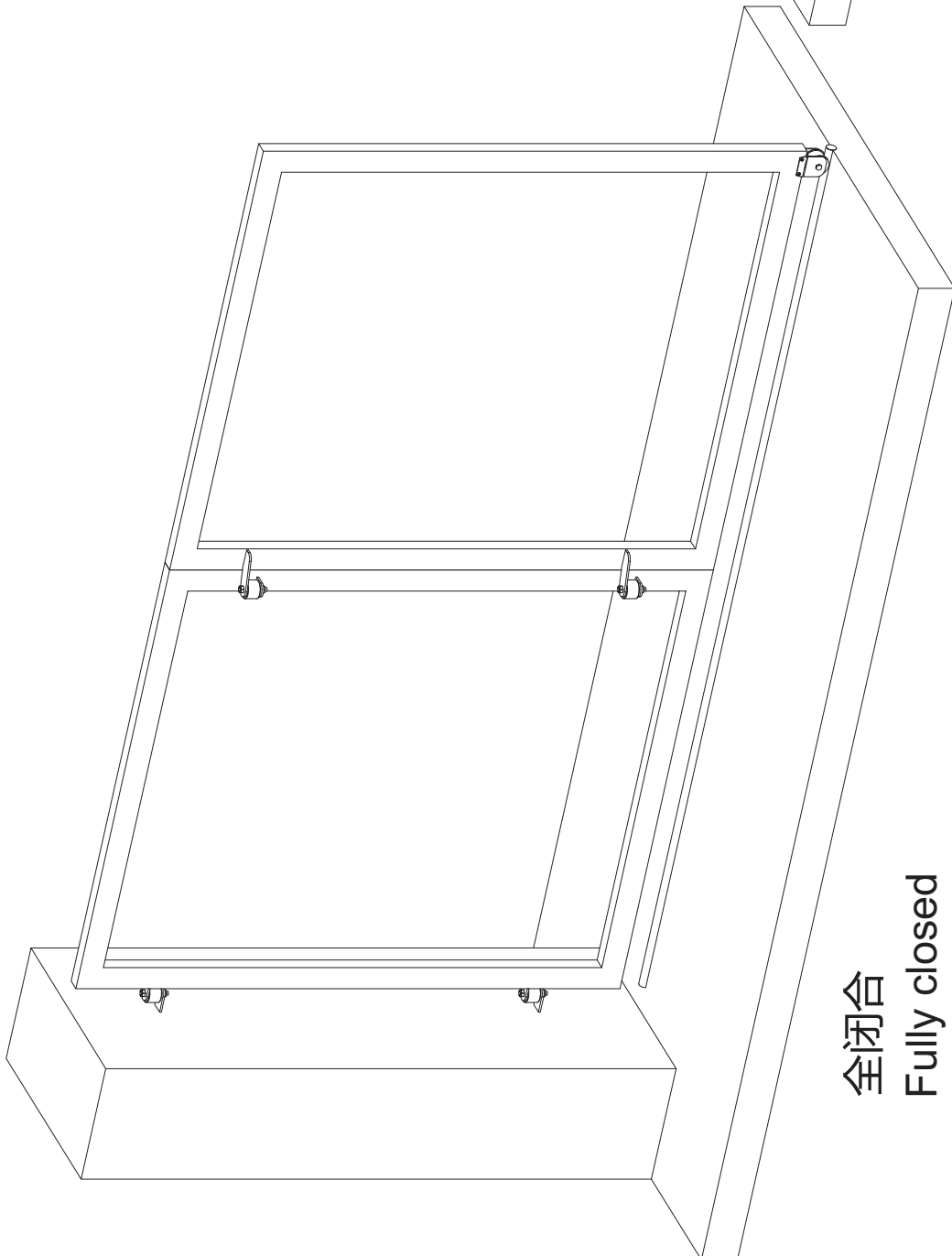
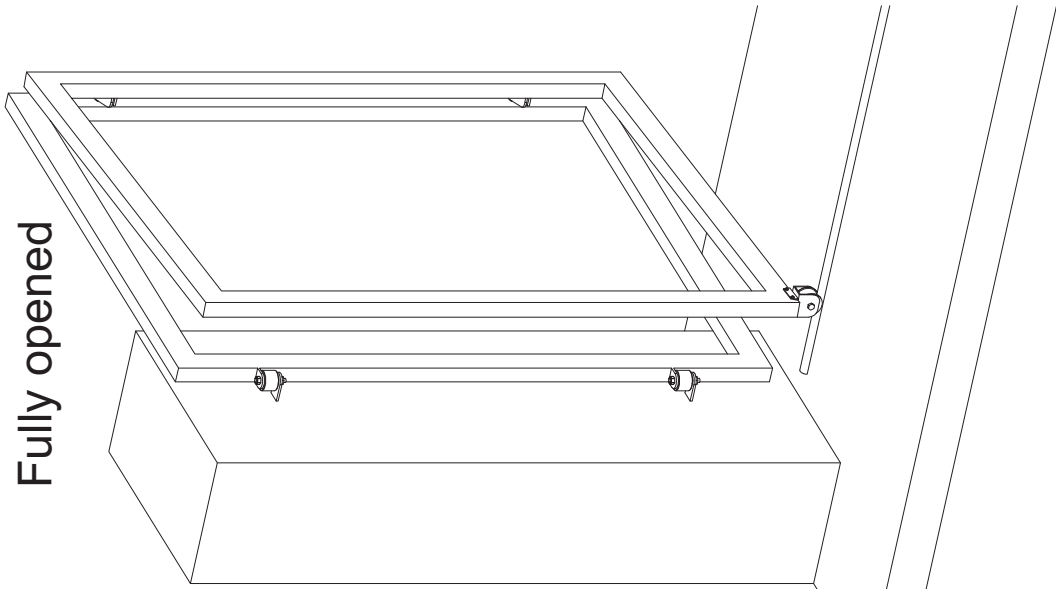
The wrong opening angle will cause the gate refuse to close
错误调整开门角度 将无法关门



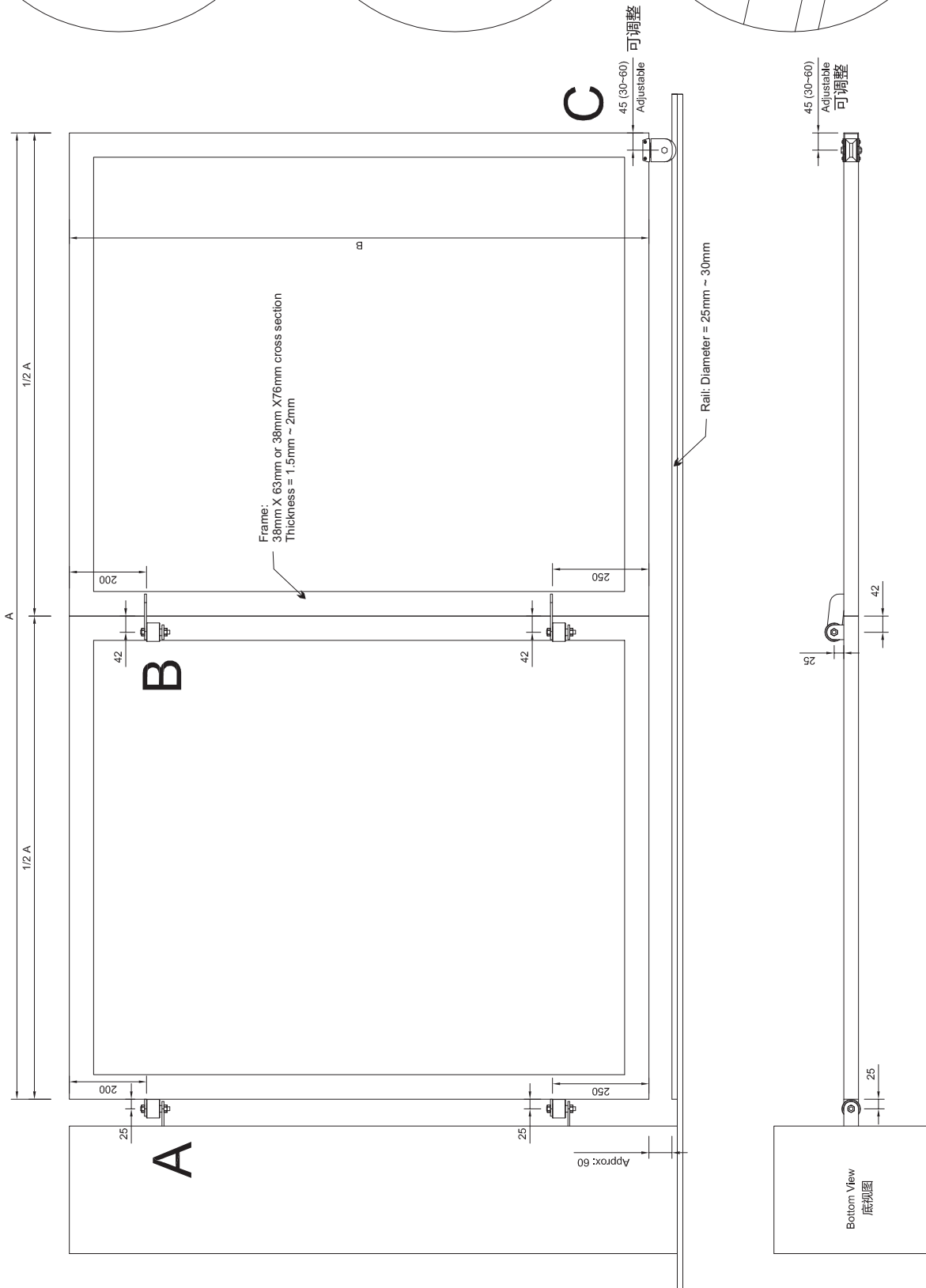
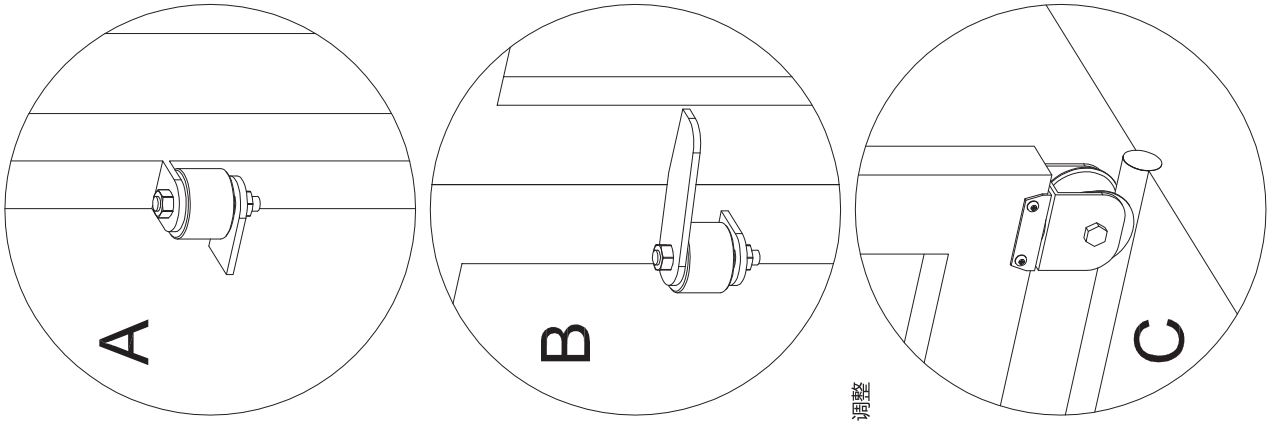
You can rectify the error by adjusting the swivel roller
纠正错误的方法是调整滚轮的位置

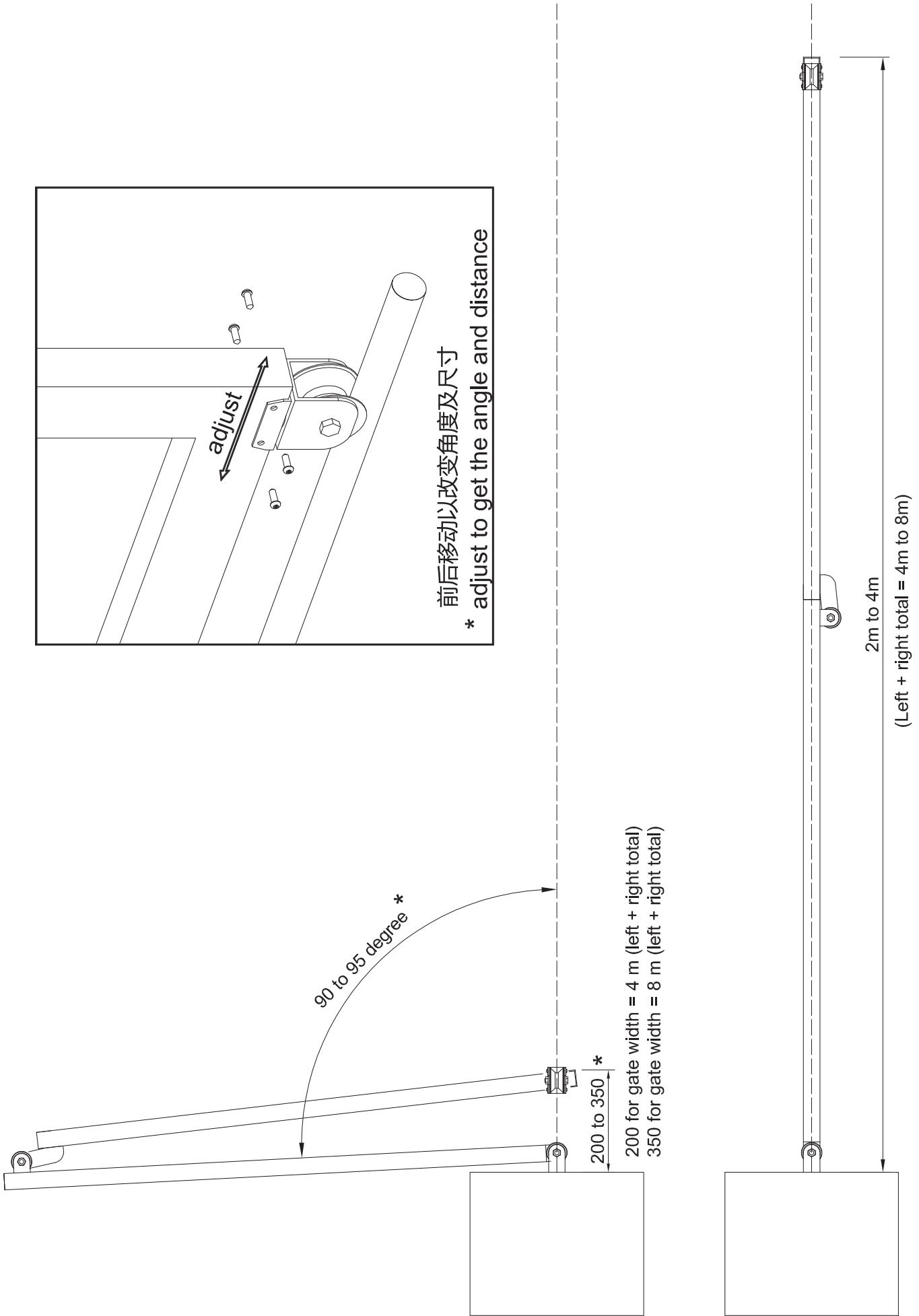


全开启
Fully opened



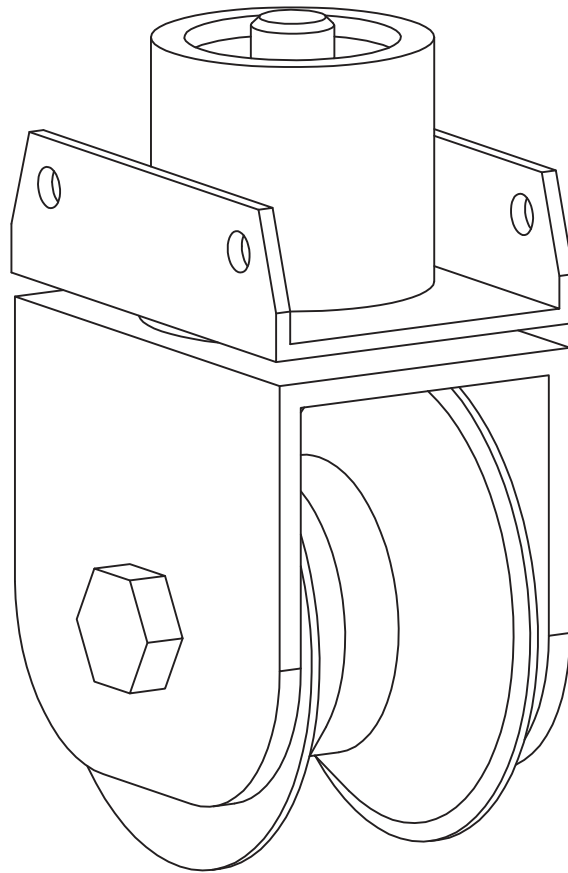
全闭合
Fully closed

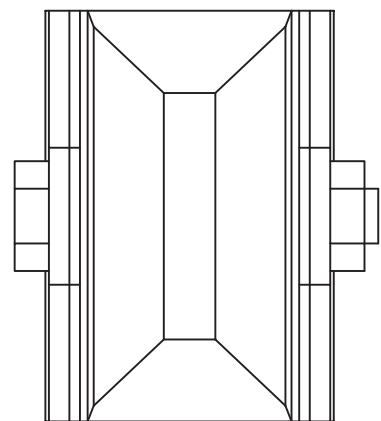
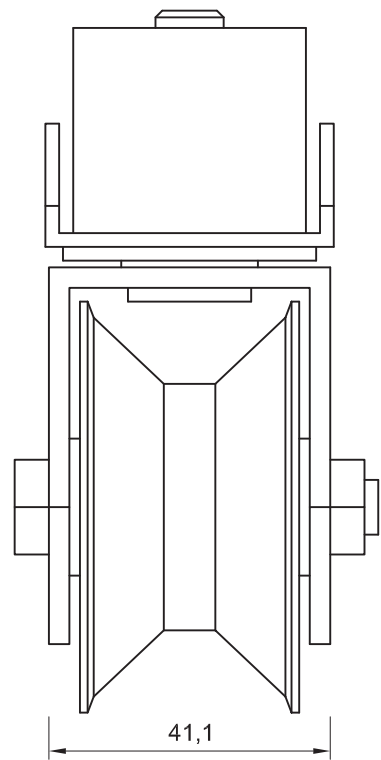
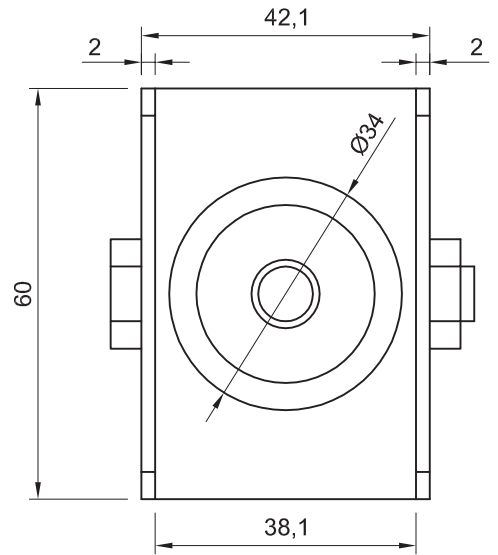
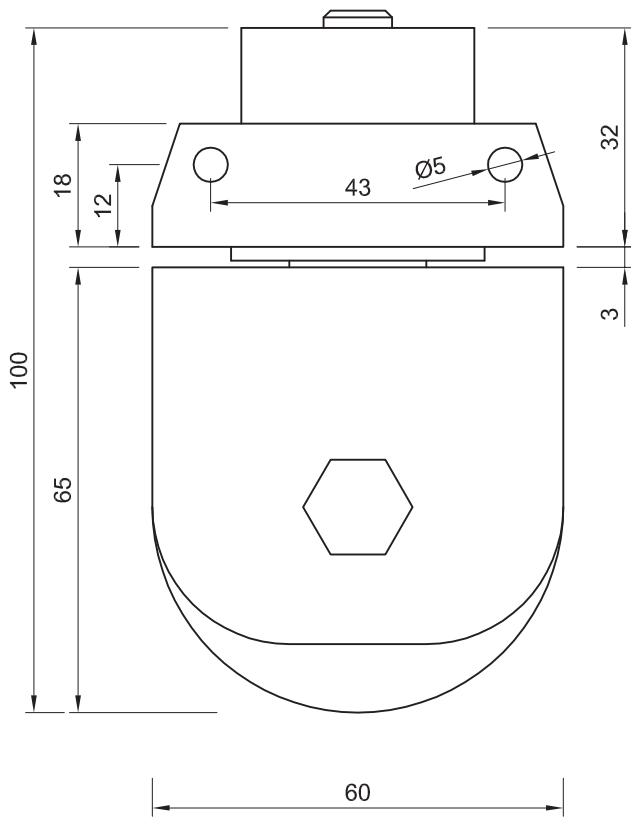


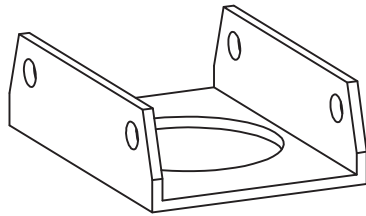


Constructing a swivel roller

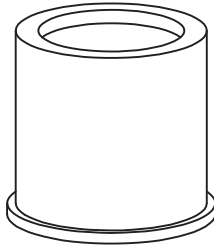
制造一个摆动滚轮



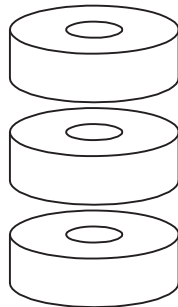




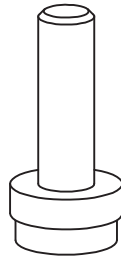
Gate Mounting Bracket



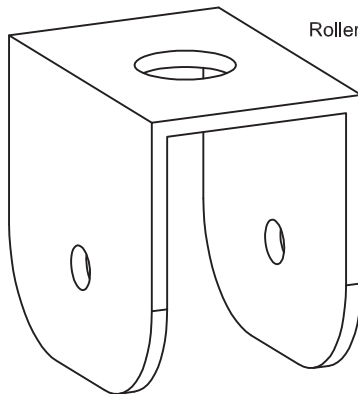
Ball bearing cylinder



6200 Ball bearing x 3pcs

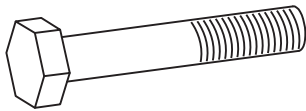


Swivel pivot joint



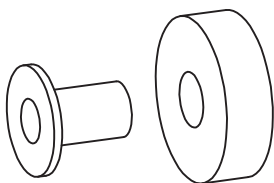
Roller mounting bracket

M8 x50 Hexagon bolt

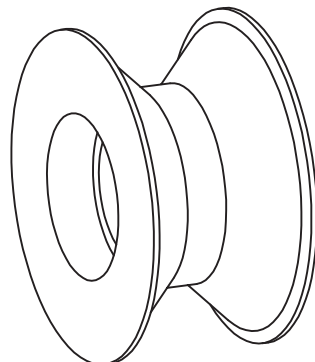


M8 Hexagon nut

6200 Ball bearing

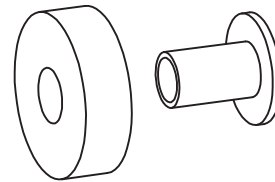


Ball bearing spacer

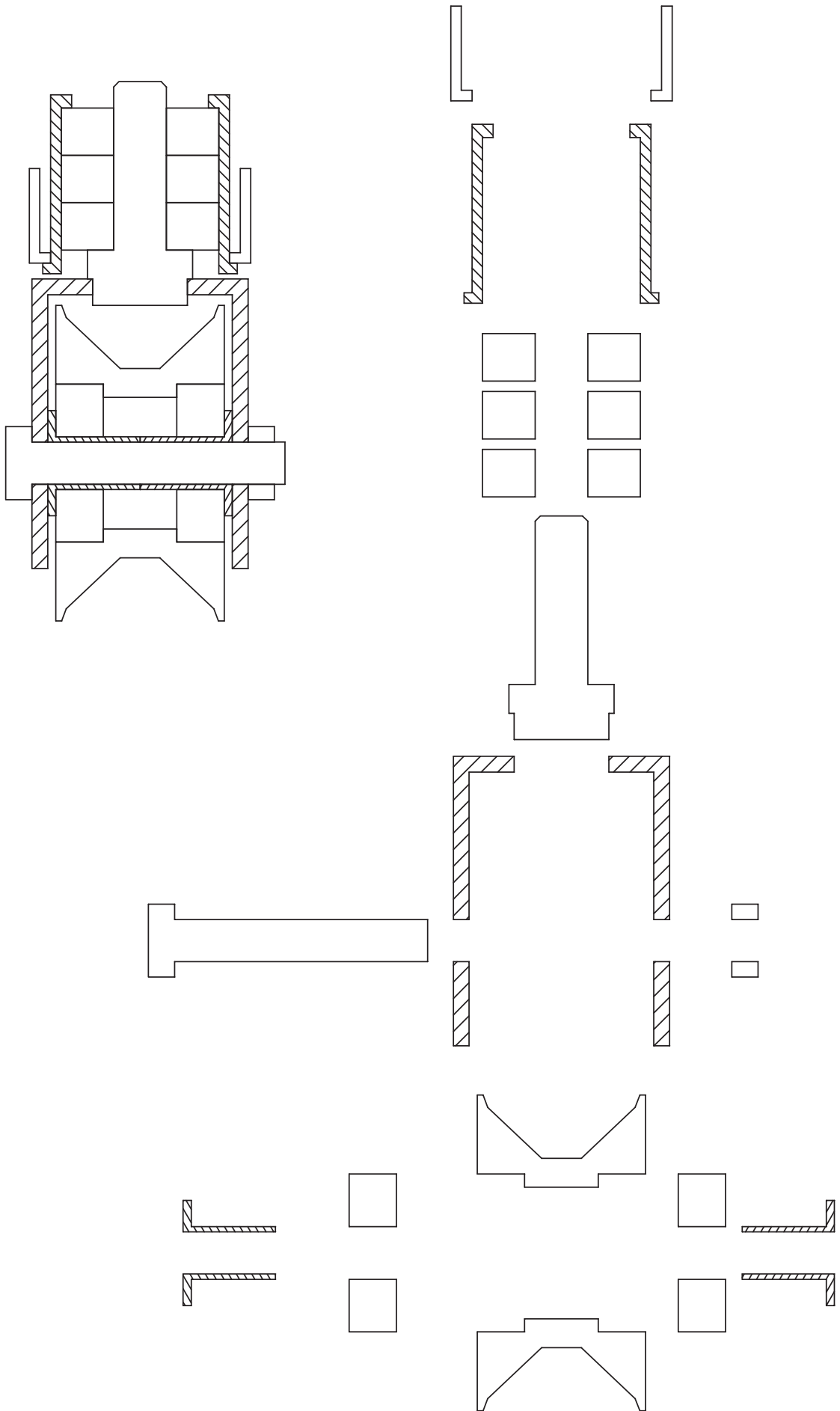


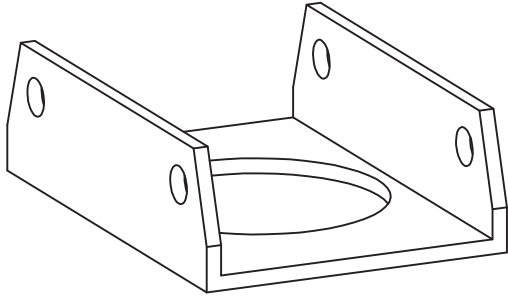
Main roller

Ball bearing spacer

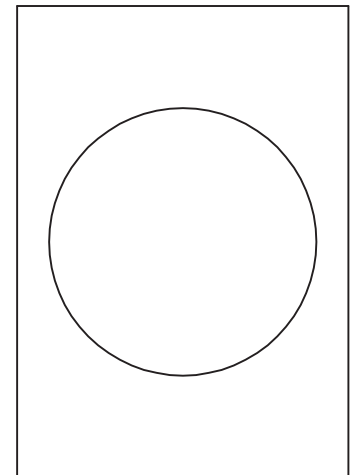
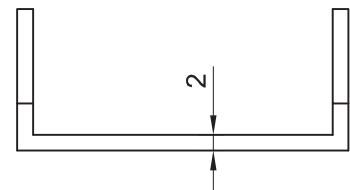
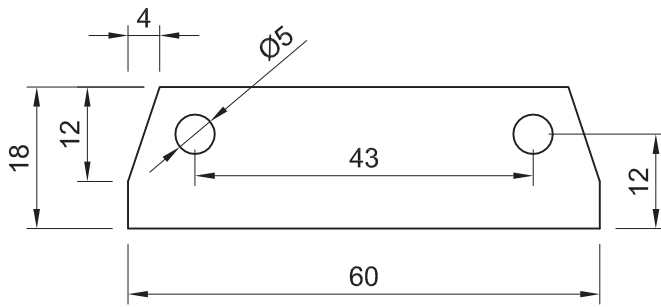
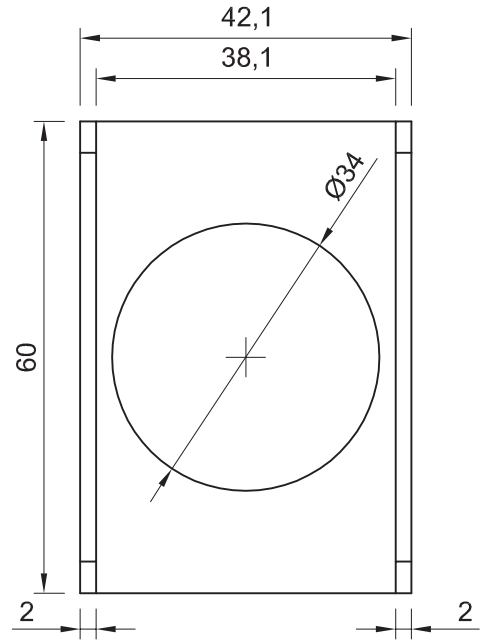


6200 Ball bearing

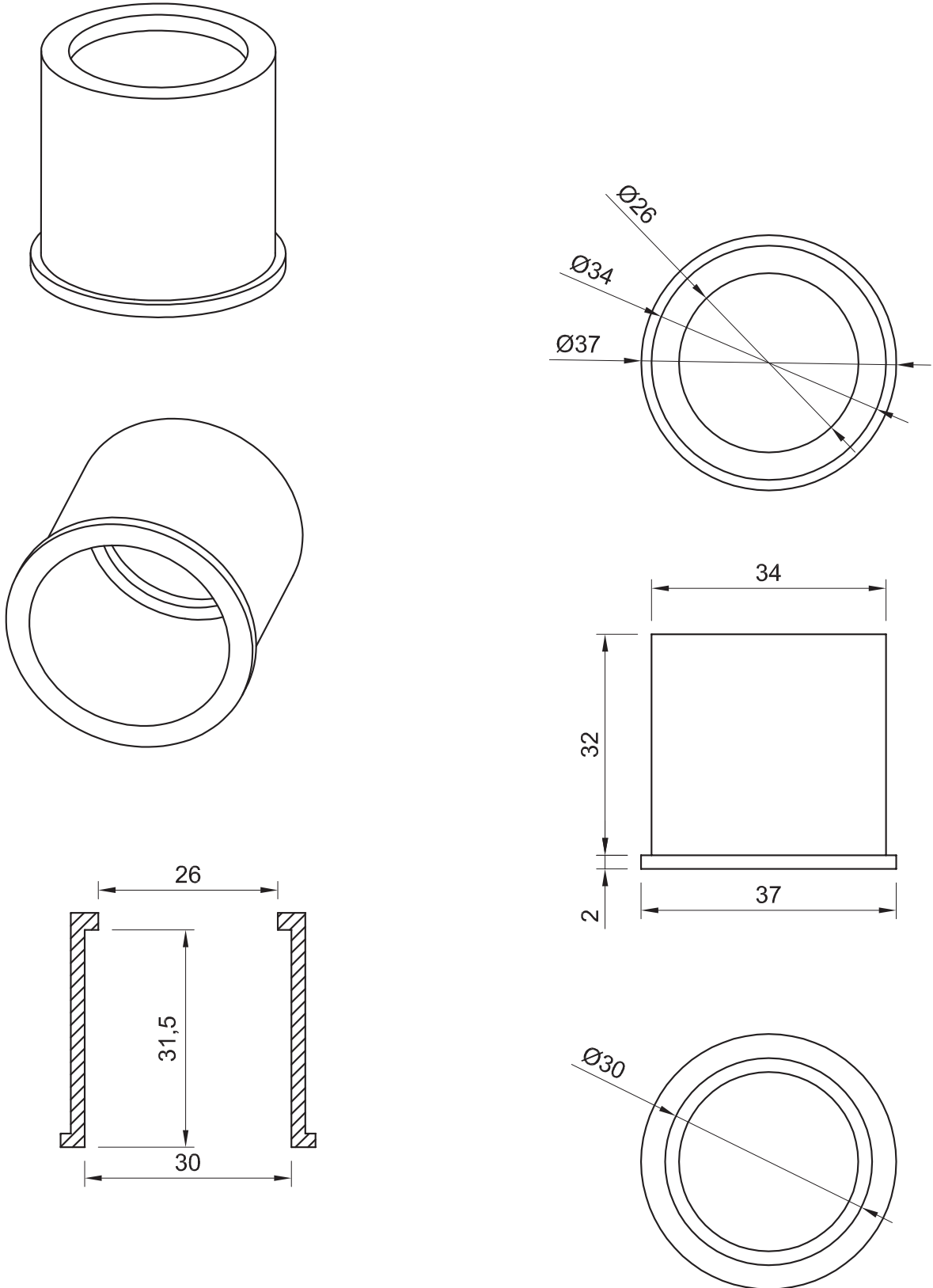


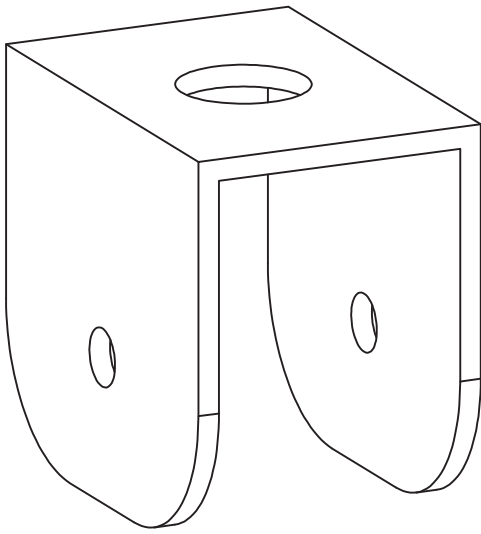


Gate Mounting Bracket

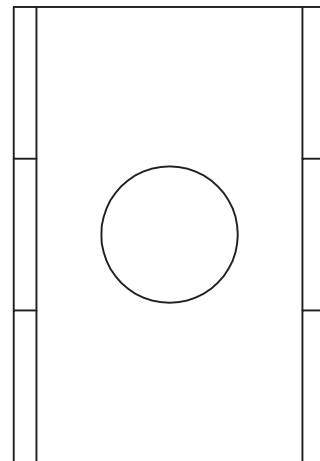
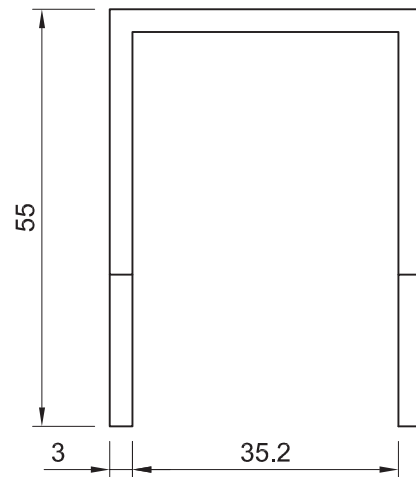
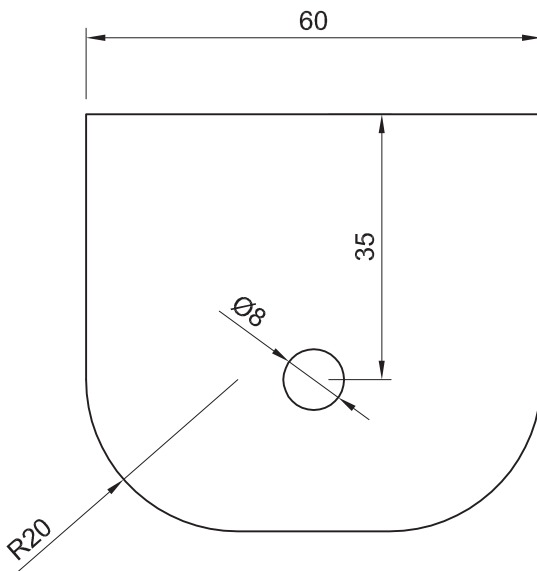
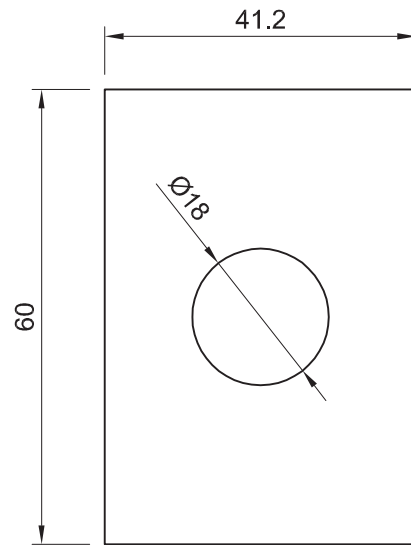


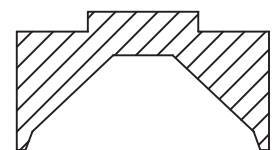
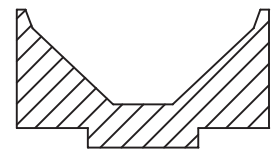
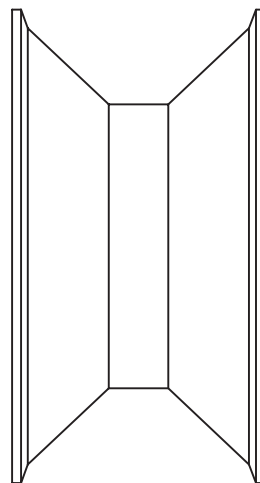
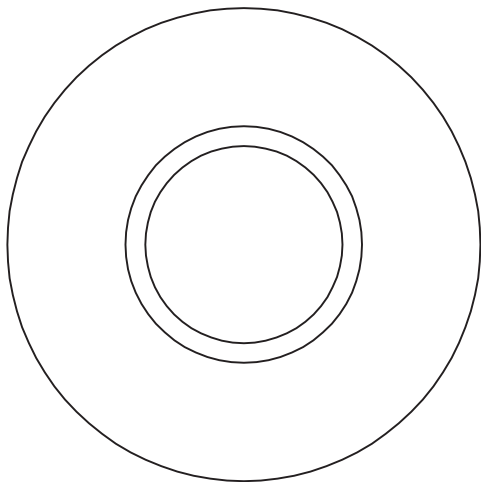
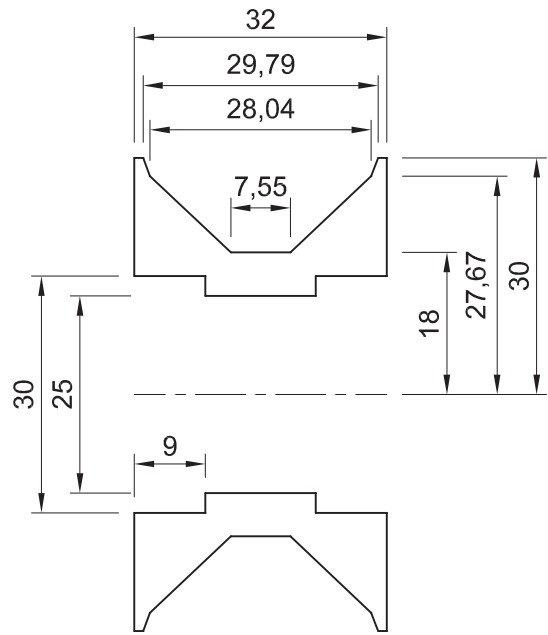
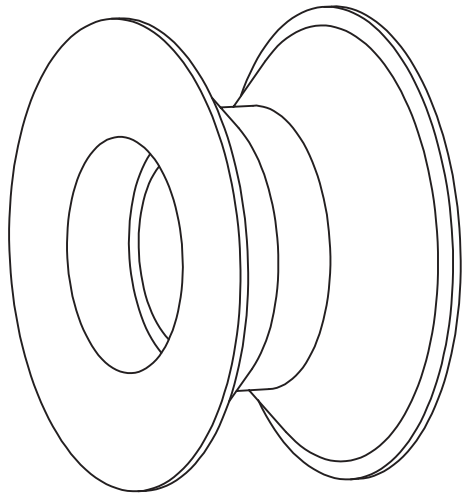
Ball bearing cylinder

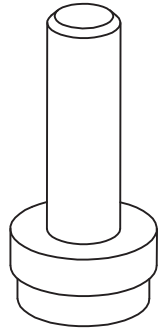




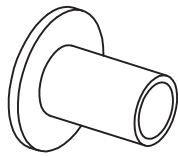
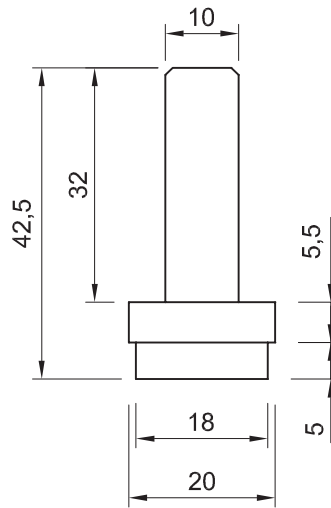
Roller mounting bracket



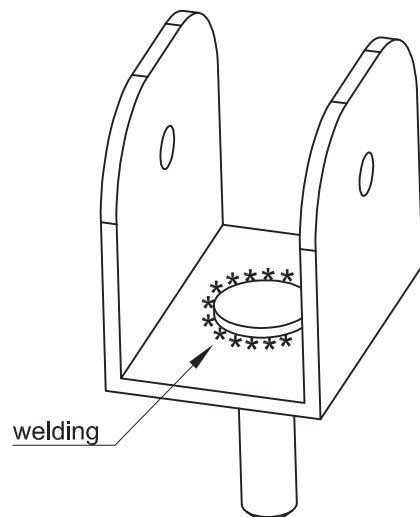
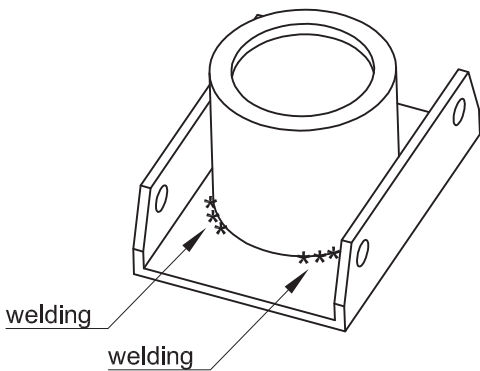
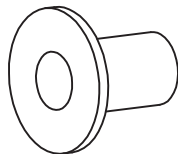
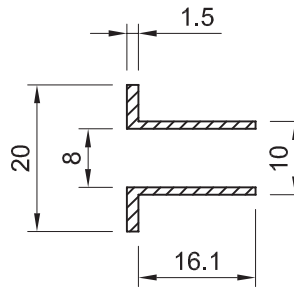




Swivel pivot joint

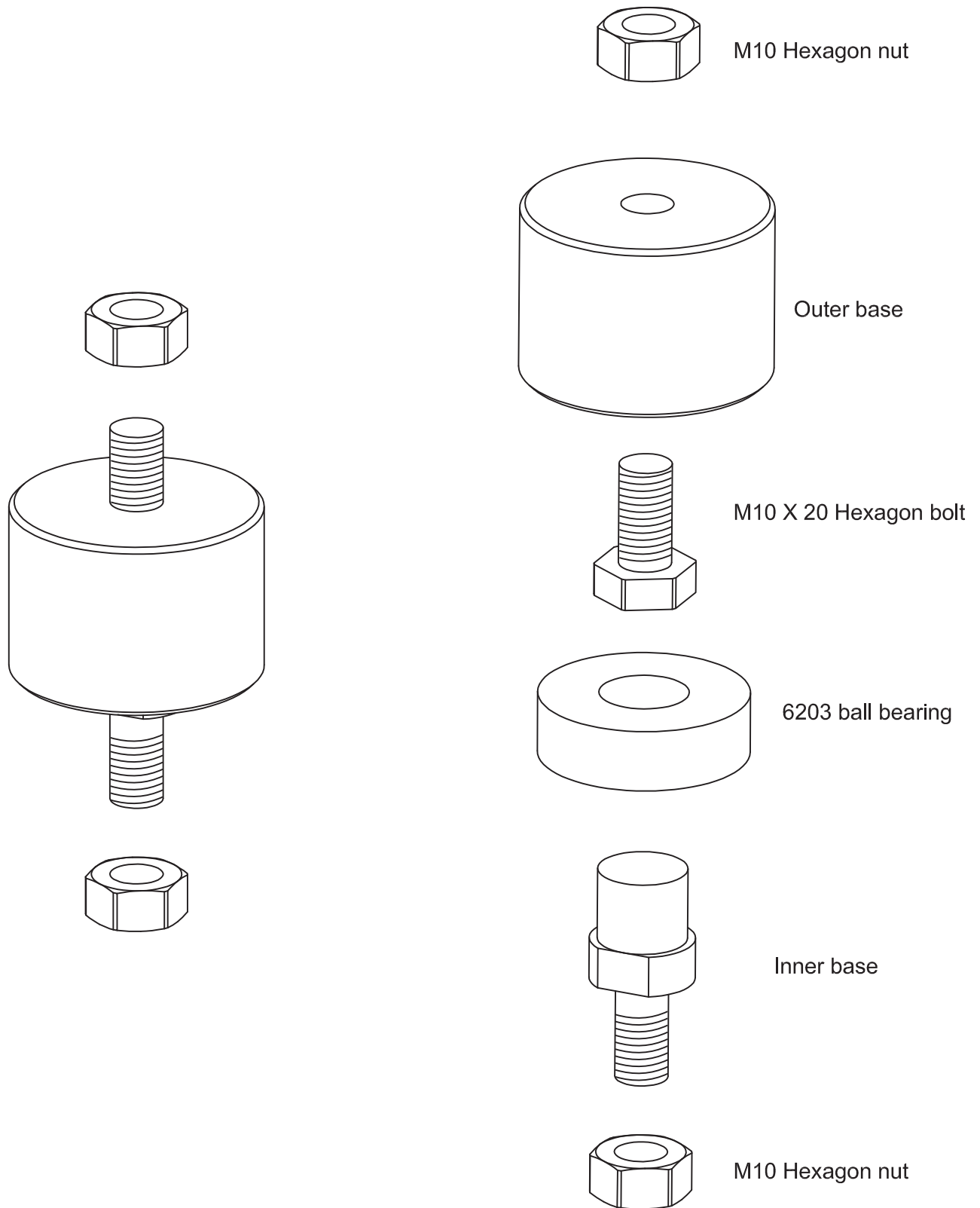


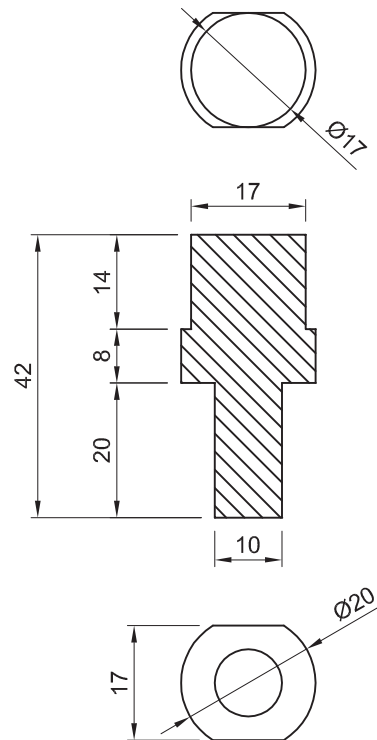
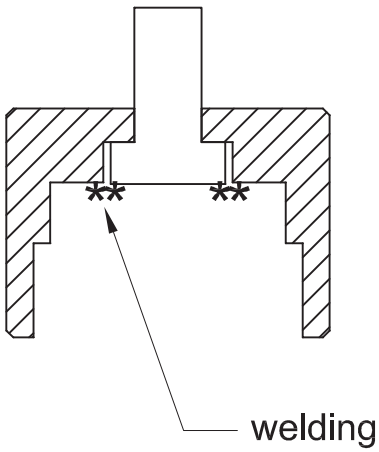
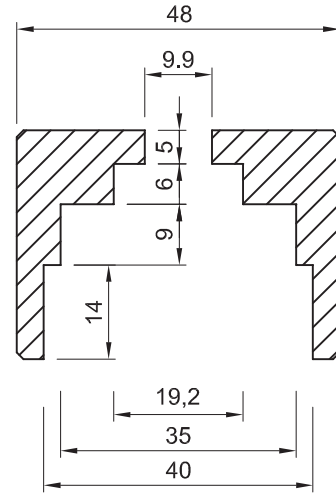
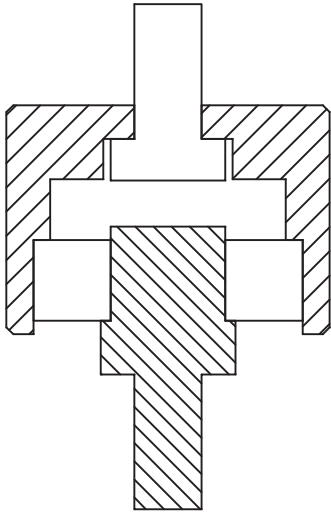
Ball bearing spacer

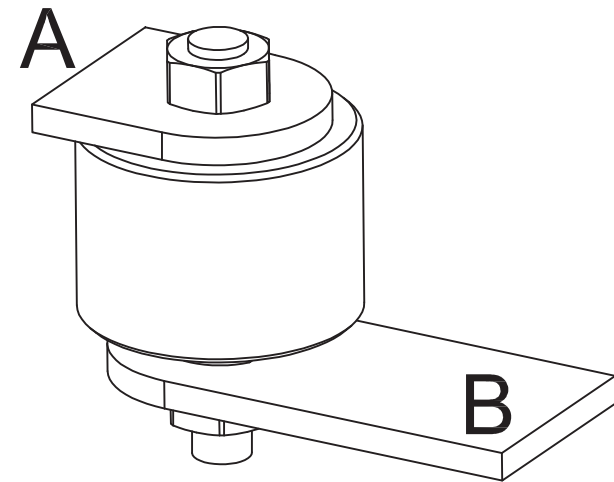


Constructing a ball bearing hinge

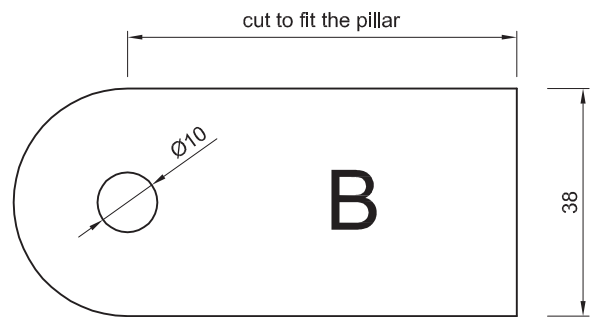
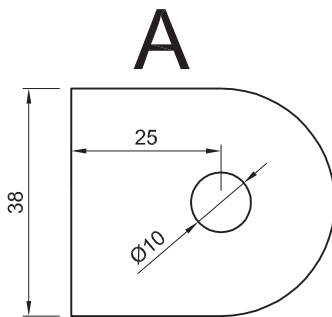
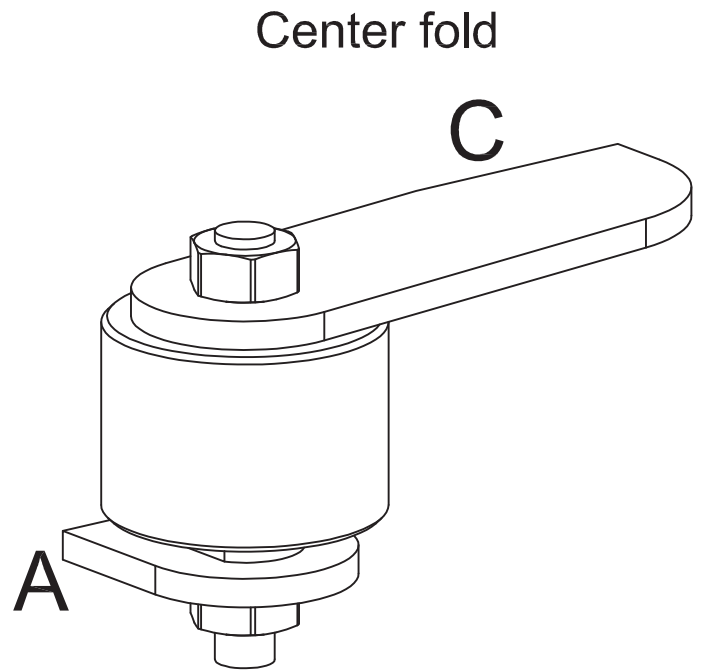
制造一个滚珠轴承门铰链



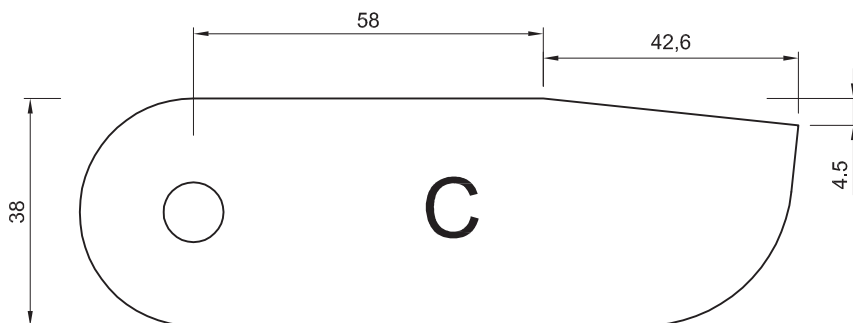




Pillar to gate



Thickness = 5mm



The connecting brackets for the ball bearing hinges

门铰链的连接机构