

## Application

Mainly applicable for conveying of industrial liquid, such as mineral water, soft water, pure water, clean oil and circulation and boosting for other weak chemical - industrial medium.

- Water treatment processes
- Industrial cleaner and dishwasher
- Water boosting on process
- Heating and cooling for industrial process
- Air-conditioning system
- Air freshening, heater device(soft water)
- Water supply and boosting(drinking water, light chlorine water)
- Fertilization/metering system



## Working conditions

- Diluted, clean, non-flammable, and non-explosive
- liquid without solid grain or fibers ;
- Liquid temperature : ambient temperature -15°C ~70°C, hotwater less than 105°C;
- Max.environmental temperature: 50°C
- Max. operating pressure: 10 bar
- Max. suction pressure is licited by mad. Operating pressure

## Motor

- 2-pole induction motor;
- three-phase: 380~415V/50Hz
- Single-phase: 220~240V/50Hz
- Single-phase with input thermal protector
- Insulation class: F
- Protection: IP55
- Continuous duty

THMS 8 - 30 (T)

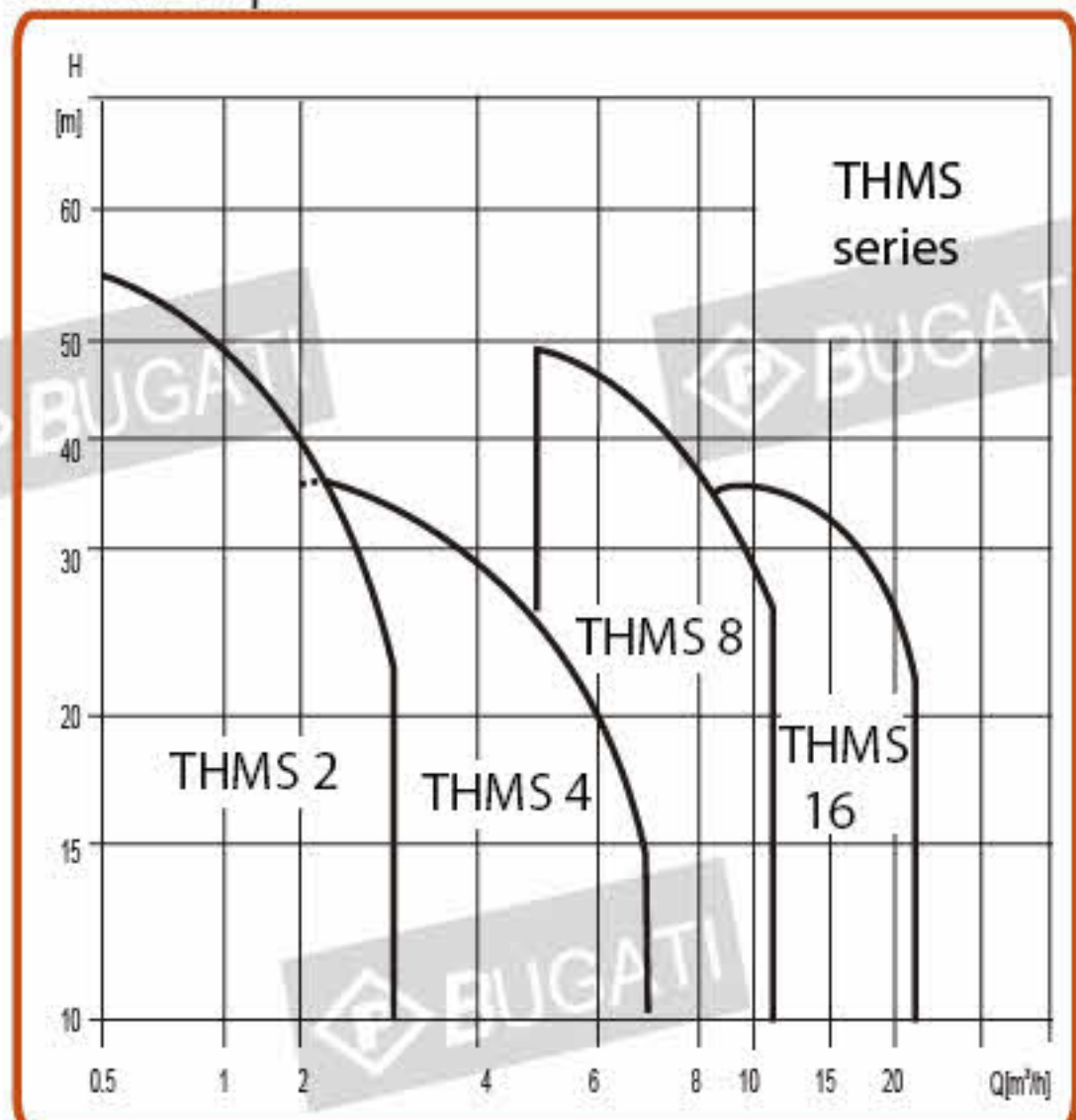
Horizontal multistage centrifugal pump

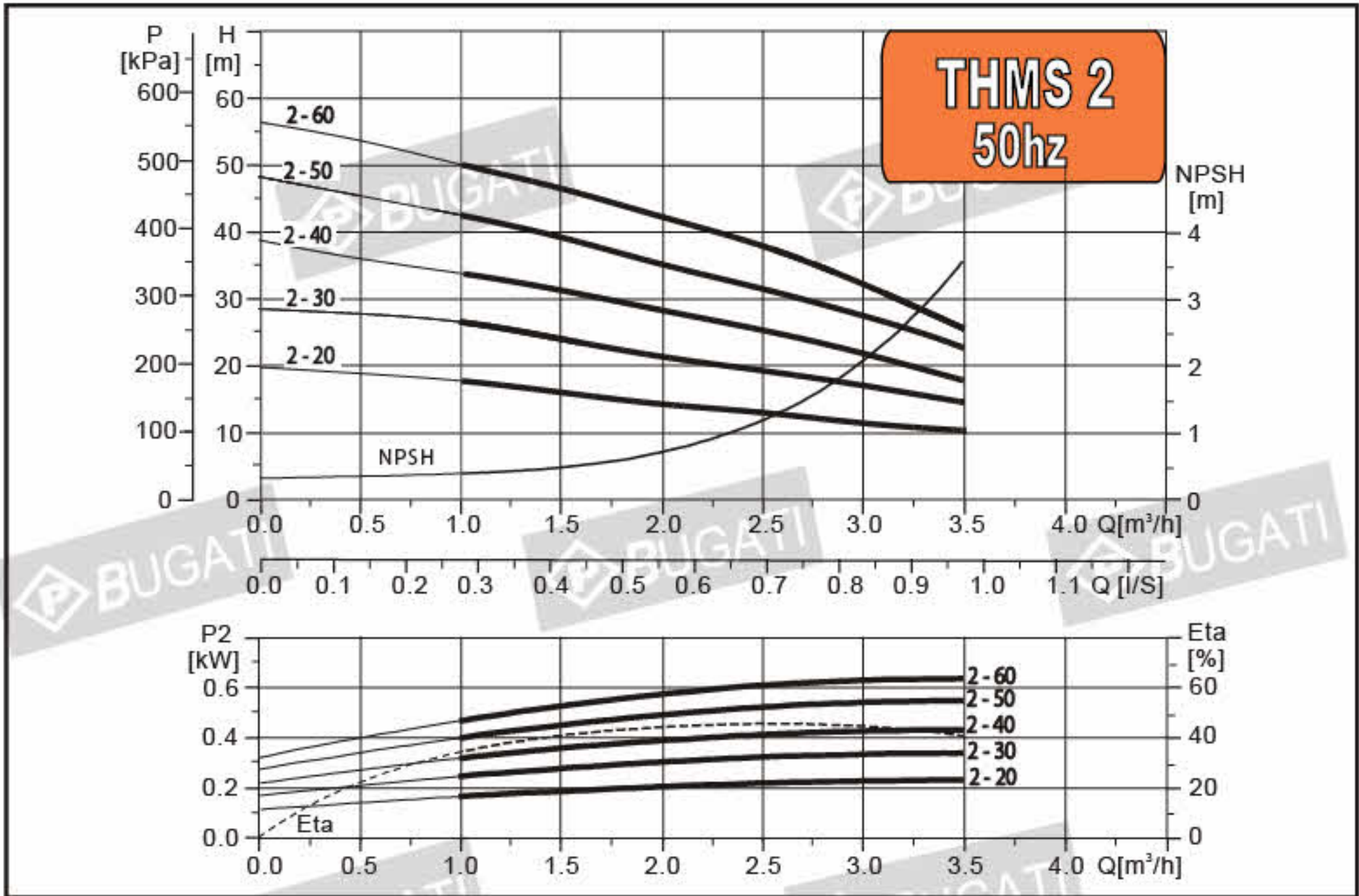
Rated flow m<sup>3</sup>/h

Number of stage x 10

Three Phase : T

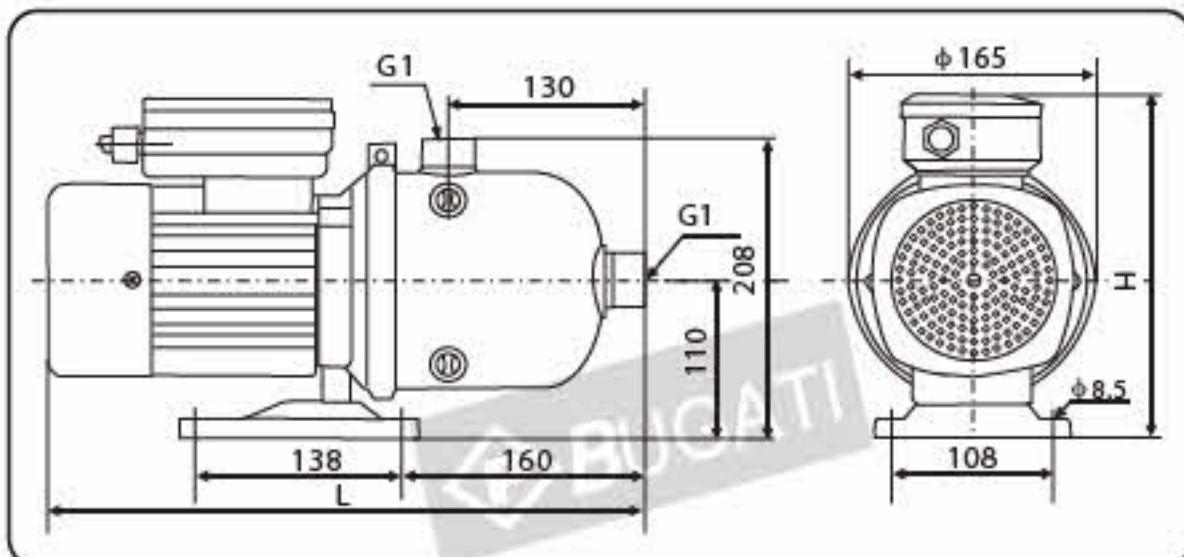
## Performance scope





Performance table

| Model        |             | Driving motor<br>$P_2$ (kW) | $Q$<br>(m <sup>3</sup> /h) | 1.0        | 1.5 | 2.0 | 2.5 | 3.0 | 3.5 |
|--------------|-------------|-----------------------------|----------------------------|------------|-----|-----|-----|-----|-----|
| Single Phase | Three Phase |                             |                            | $H$<br>(m) |     |     |     |     |     |
| THMS 2-20    | THMS 2-20T  | 0.37                        |                            | 18         | 16  | 14  | 13  | 11  | 10  |
| THMS 2-30    | THMS 2-30T  | 0.37                        |                            | 27         | 24  | 21  | 20  | 17  | 14  |
| THMS 2-40    | THMS 2-40T  | 0.55                        |                            | 35         | 32  | 28  | 26  | 23  | 17  |
| THMS 2-50    | THMS 2-50T  | 0.55                        |                            | 43         | 40  | 35  | 33  | 28  | 22  |
| THMS 2-60    | THMS 2-60T  | 0.75                        |                            | 50         | 48  | 42  | 38  | 32  | 25  |



| Model     | Size(mm)     |     |             |     | Weight<br>(kg) |
|-----------|--------------|-----|-------------|-----|----------------|
|           | Single-phase |     | Three-phase |     |                |
|           | L            | H   | L           | H   |                |
| THMS 2-20 | 405          | 235 | 405         | 215 | 9              |
| THMS 2-30 | 405          | 235 | 405         | 215 | 9.5            |
| THMS 2-40 | 405          | 235 | 405         | 215 | 10             |
| THMS 2-50 | 405          | 235 | 405         | 215 | 10             |
| THMS 2-60 | 405          | 235 | 405         | 215 | 10.5           |