

# CorrosionMaster Step Platform FPS 0.6

## Technical Data Sheet

### PROPERTIES

☑ Standards	AS/NZS 1892.3 / ANSI A 14.5-2000
⚠ Load Rating	150kg
⚡ Electrical Properties	Complies to AS/NZS 1892.3 Section 2.4
🔥 Heat Resistance	130 Degrees Celsius
🧪 Chemical Resistance	Tested to AS/NZS 1892.3
☁ Accelerated Weathering Test	Tested to AS 2331.3.1
🛠 Warranty	3 years from date of manufacturing

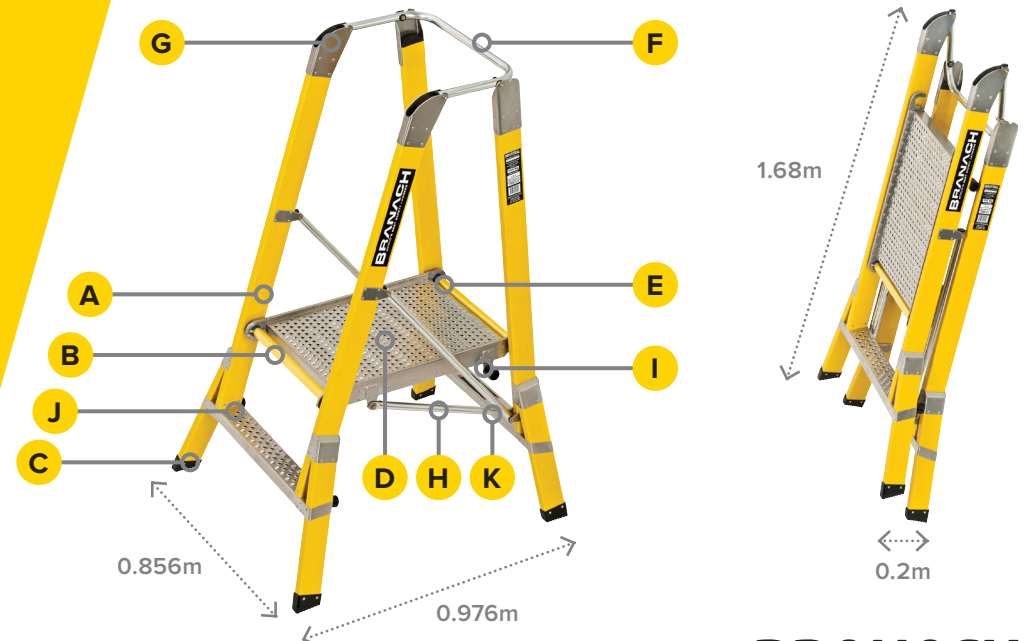
### MEASUREMENTS

⚖ Weight	19.5kg
↕ Distance Between Rungs	0.305m
◇ Open Height	1.5m
∨ Closed Height	1.68m
⤴ Platform Height	0.6m
└ Handrail Height	0.9m above platform
⌘ Closed Width	0.2m
└ Number of Steps	2 including platform

### COMPONENTS

A Stiles	Fibreglass: ISO-PE resin with e-glass fibres
B Rungs	Round: Fibreglass ISO-PE resin with e-glass fibres
C Feet	Thermoplastic Polyurethane
D Platform Deck	316 Stainless Steel
E Platform Hooks	316 Stainless Steel
F Handrail	316 Stainless Steel
G Brackets	316 Stainless Steel
H Rods and Struts	316 Stainless Steel
I Spacer	Polyethylene
J Step Plates	316 Stainless Steel
K Rear Step	316 Stainless Steel
Rivets	316 Stainless Steel
Nuts	316 Stainless Steel
Washers	316 Stainless Steel

Product Code	FPS 0.6
Manufacturer's Name	Branach Manufacturing Pty Ltd
Phone Number	+61 3 9761 6633
Certified By (Name, Title)	Pat Driscoll Business Development Manager
Last Updated	5/11/2015



# CorrosionMaster Step Platform FPS 0.9

## Technical Data Sheet

### PROPERTIES

☑ Standards	AS/NZS 1892.3 / ANSI A 14.5-2000
⚠ Load Rating	150kg
⚡ Electrical Properties	Complies to AS/NZS 1892.3 Section 2.4
🔥 Heat Resistance	130 Degrees Celsius
🧪 Chemical Resistance	Tested to AS/NZS 1892.3
☁ Accelerated Weathering Test	Tested to AS 2331.3.1
🛠 Warranty	3 years from date of manufacturing

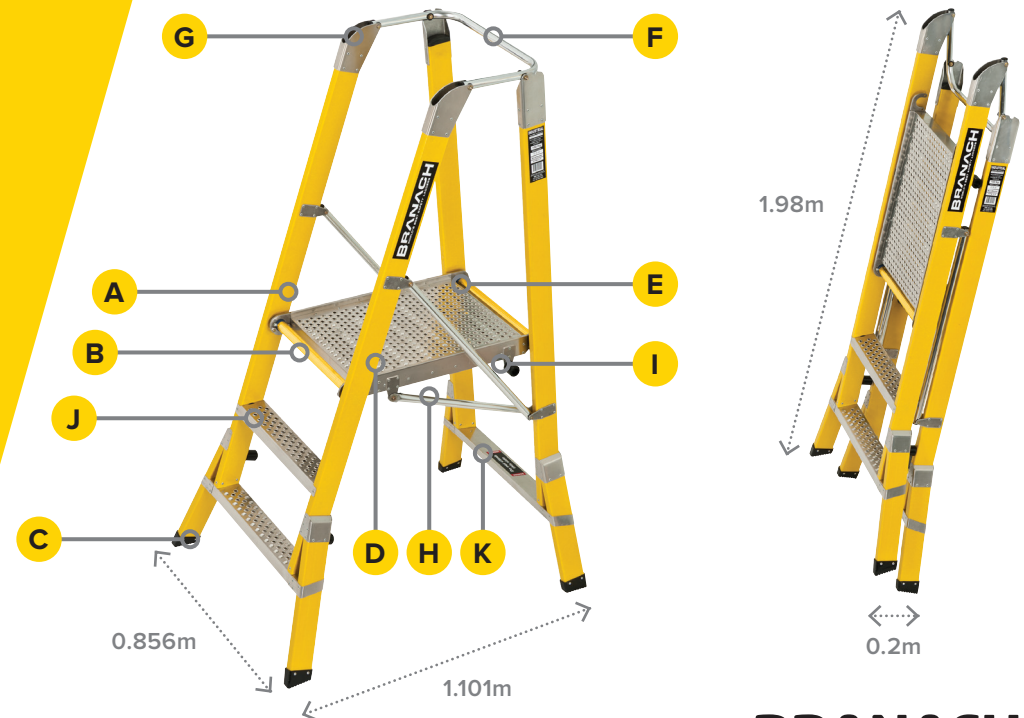
### MEASUREMENTS

🏋️ Weight	22.5kg
↕ Distance Between Rungs	0.305m
◇ Open Height	1.8m
∨ Closed Height	1.98m
⤴ Platform Height	0.9m
⌋ Handrail Height	0.9m above platform
⌘ Closed Width	0.2m
🪜 Number of Steps	3 including platform

### COMPONENTS

A Stiles	Fibreglass: ISO-PE resin with e-glass fibres
B Rungs	Round: Fibreglass ISO-PE resin with e-glass fibres
C Feet	Thermoplastic Polyurethane
D Platform Deck	316 Stainless Steel
E Platform Hooks	316 Stainless Steel
F Handrail	316 Stainless Steel
G Brackets	316 Stainless Steel
H Rods and Struts	316 Stainless Steel
I Spacer	Polyethylene
J Step Plates	316 Stainless Steel
K Rear Step	316 Stainless Steel
Rivets	316 Stainless Steel
Nuts	316 Stainless Steel
Washers	316 Stainless Steel

Product Code	FPS 0.9
Manufacturer's Name	Branach Manufacturing Pty Ltd
Phone Number	+613 9761 6633
Certified By (Name, Title)	Pat Driscoll Business Development Manager
Last Updated	5/11/2015



# CorrosionMaster Step Platform FPS 1.2

## Technical Data Sheet

### PROPERTIES

✓ Standards	AS/NZS 1892.3 / ANSI A 14.5-2000
⚠ Load Rating	150kg
⚡ Electrical Properties	Complies to AS/NZS 1892.3 Section 2.4
🔥 Heat Resistance	130 Degrees Celsius
🧴 Chemical Resistance	Tested to AS/NZS 1892.3
☁ Accelerated Weathering Test	Tested to AS 2331.3.1
🛠 Warranty	3 years from date of manufacturing

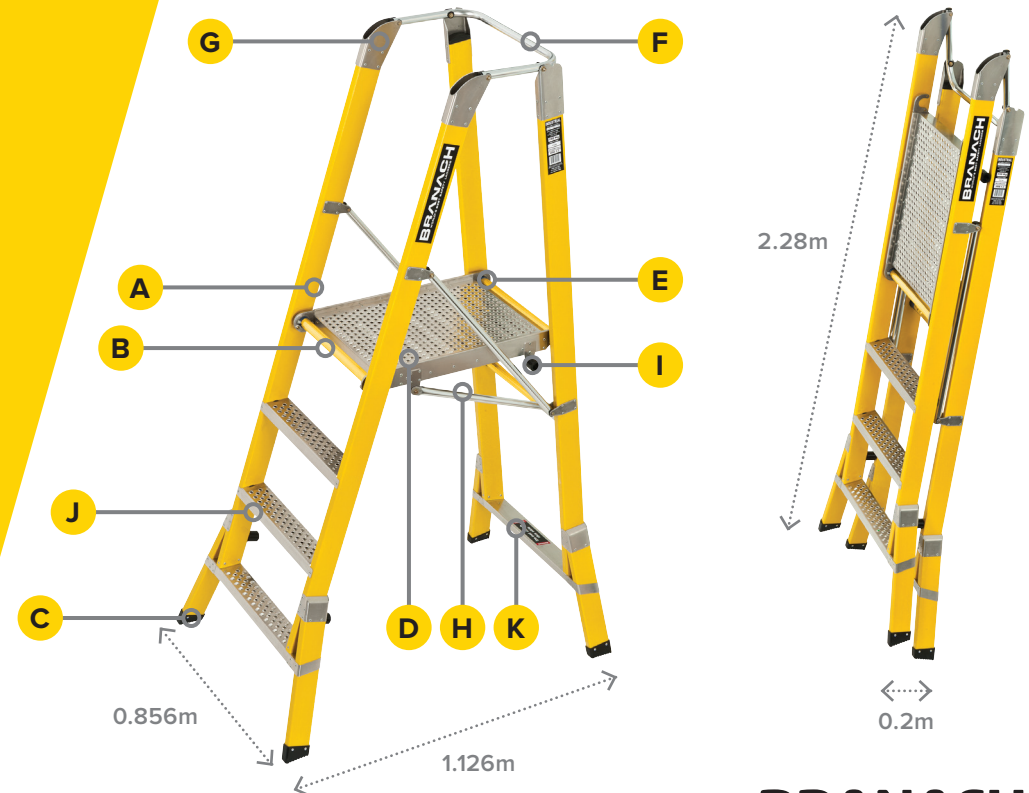
### MEASUREMENTS

📏 Weight	25.5kg
↕ Distance Between Rungs	0.305m
◇ Open Height	2.1m
∨ Closed Height	2.28m
↗ Platform Height	1.2m
∟ Handrail Height	0.9m above platform
✂ Closed Width	0.2m
📏 Number of Steps	4 including platform

### COMPONENTS

A Stiles	Fibreglass: ISO-PE resin with e-glass fibres
B Rungs	Round: Fibreglass ISO-PE resin with e-glass fibres
C Feet	Thermoplastic Polyurethane
D Platform Deck	316 Stainless Steel
E Platform Hooks	316 Stainless Steel
F Handrail	316 Stainless Steel
G Brackets	316 Stainless Steel
H Rods and Struts	316 Stainless Steel
I Spacer	Polyethylene
J Step Plates	316 Stainless Steel
K Rear Step	316 Stainless Steel
Rivets	316 Stainless Steel
Nuts	316 Stainless Steel
Washers	316 Stainless Steel

Product Code	FPS 1.2
Manufacturer's Name	Branach Manufacturing Pty Ltd
Phone Number	+613 9761 6633
Certified By (Name, Title)	Pat Driscoll Business Development Manager
Last Updated	5/11/2015



# CorrosionMaster Step Platform FPS 1.5

## Technical Data Sheet

### PROPERTIES

✓ Standards	AS/NZS 1892.3 / ANSI A 14.5-2000
⚠ Load Rating	150kg
⚡ Electrical Properties	Complies to AS/NZS 1892.3 Section 2.4
🔥 Heat Resistance	130 Degrees Celsius
🧴 Chemical Resistance	Tested to AS/NZS 1892.3
☁ Accelerated Weathering Test	Tested to AS 2331.3.1
🛠 Warranty	3 years from date of manufacturing

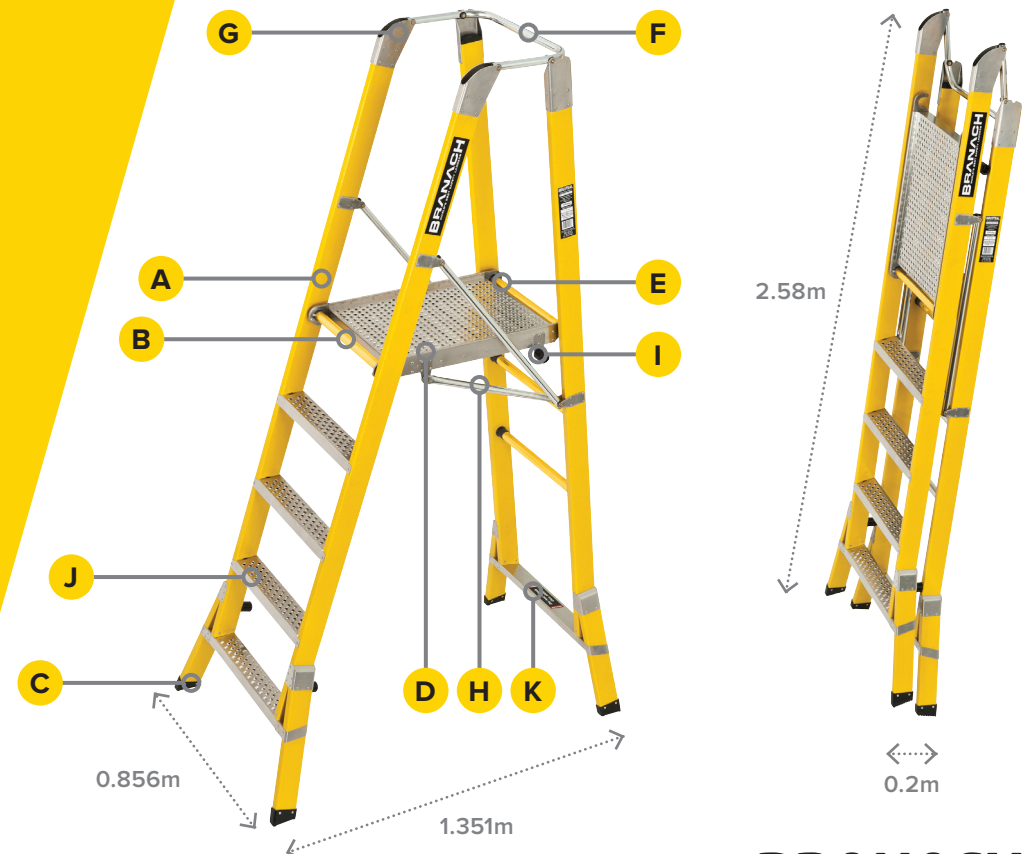
### MEASUREMENTS

🏋️ Weight	28.5kg
↕ Distance Between Rungs	0.305m
◇ Open Height	2.4m
∨ Closed Height	2.58m
⤴ Platform Height	1.5m
∟ Handrail Height	0.9m above platform
✂ Closed Width	0.2m
🪜 Number of Steps	5 including platform

### COMPONENTS

A Stiles	Fibreglass: ISO-PE resin with e-glass fibres
B Rungs	Round: Fibreglass ISO-PE resin with e-glass fibres
C Feet	Thermoplastic Polyurethane
D Platform Deck	316 Stainless Steel
E Platform Hooks	316 Stainless Steel
F Handrail	316 Stainless Steel
G Brackets	316 Stainless Steel
H Rods and Struts	316 Stainless Steel
I Spacer	Polyethylene
J Step Plates	316 Stainless Steel
K Rear Step	316 Stainless Steel
Rivets	316 Stainless Steel
Nuts	316 Stainless Steel
Washers	316 Stainless Steel

Product Code	FPS 1.5
Manufacturer's Name	Branach Manufacturing Pty Ltd
Phone Number	+613 9761 6633
Certified By (Name, Title)	Pat Driscoll Business Development Manager
Last Updated	5/11/2015



# CorrosionMaster Step Platform FPS 1.8

## Technical Data Sheet

### PROPERTIES

☑ Standards	AS/NZS 1892.3 / ANSI A 14.5-2000
⚠ Load Rating	150kg
⚡ Electrical Properties	Complies to AS/NZS 1892.3 Section 2.4
🔥 Heat Resistance	130 Degrees Celsius
🧪 Chemical Resistance	Tested to AS/NZS 1892.3
☁ Accelerated Weathering Test	Tested to AS 2331.3.1
🛠 Warranty	3 years from date of manufacturing

### MEASUREMENTS

🏋️ Weight	31.5kg
↕ Distance Between Rungs	0.305m
◇ Open Height	2.7m
📏 Closed Height	2.88m
⌒ Platform Height	1.8m
⌒ Handrail Height	0.9m above platform
✂ Closed Width	0.2m
🪜 Number of Steps	6 including platform

### COMPONENTS

A Stiles	Fibreglass: ISO-PE resin with e-glass fibres
B Rungs	Round: Fibreglass ISO-PE resin with e-glass fibres
C Feet	Thermoplastic Polyurethane
D Platform Deck	316 Stainless Steel
E Platform Hooks	316 Stainless Steel
F Handrail	316 Stainless Steel
G Brackets	316 Stainless Steel
H Rods and Struts	316 Stainless Steel
I Spacer	Polyethylene
J Step Plates	316 Stainless Steel
K Rear Step	316 Stainless Steel
Rivets	316 Stainless Steel
Nuts	316 Stainless Steel
Washers	316 Stainless Steel

Product Code	FPS 1.8
Manufacturer's Name	Branach Manufacturing Pty Ltd
Phone Number	+613 9761 6633
Certified By (Name, Title)	Pat Driscoll Business Development Manager
Last Updated	5/11/2015



# CorrosionMaster Step Platform FPS 2.1

## Technical Data Sheet

### PROPERTIES

☑ Standards	AS/NZS 1892.3 / ANSI A 14.5-2000
⚠ Load Rating	150kg
⚡ Electrical Properties	Complies to AS/NZS 1892.3 Section 2.4
🔥 Heat Resistance	130 Degrees Celsius
🧪 Chemical Resistance	Tested to AS/NZS 1892.3
☁ Accelerated Weathering Test	Tested to AS 2331.3.1
🛠 Warranty	3 years from date of manufacturing

### MEASUREMENTS

🏋️ Weight	36kg
📏 Distance Between Rungs	0.305m
📏 Open Height	3.0m
📏 Closed Height	3.18m
📏 Platform Height	2.1m
📏 Handrail Height	0.9m above platform
📏 Closed Width	0.2m
📏 Number of Steps	7 including platform

### COMPONENTS

A Stiles	Fibreglass: ISO-PE resin with e-glass fibres
B Rungs	Round: Fibreglass ISO-PE resin with e-glass fibres
C Feet	Thermoplastic Polyurethane
D Platform Deck	316 Stainless Steel
E Platform Hooks	316 Stainless Steel
F Handrail	316 Stainless Steel
G Brackets	316 Stainless Steel
H Rods and Struts	316 Stainless Steel
I Spacer	Polyethylene
J Step Plates	316 Stainless Steel
K Rear Step	316 Stainless Steel
Rivets	316 Stainless Steel
Nuts	316 Stainless Steel
Washers	316 Stainless Steel

Product Code	FPS 2.1
Manufacturer's Name	Branach Manufacturing Pty Ltd
Phone Number	+613 9761 6633
Certified By (Name, Title)	Pat Driscoll Business Development Manager
Last Updated	5/11/2015



# CorrosionMaster Step Platform FPS 2.4

## Technical Data Sheet

### PROPERTIES

✓ Standards	AS/NZS 1892.3 / ANSI A 14.5-2000
⚠ Load Rating	150kg
⚡ Electrical Properties	Complies to AS/NZS 1892.3 Section 2.4
🔥 Heat Resistance	130 Degrees Celsius
🧪 Chemical Resistance	Tested to AS/NZS 1892.3
☁ Accelerated Weathering Test	Tested to AS 2331.3.1
🛠 Warranty	3 years from date of manufacturing

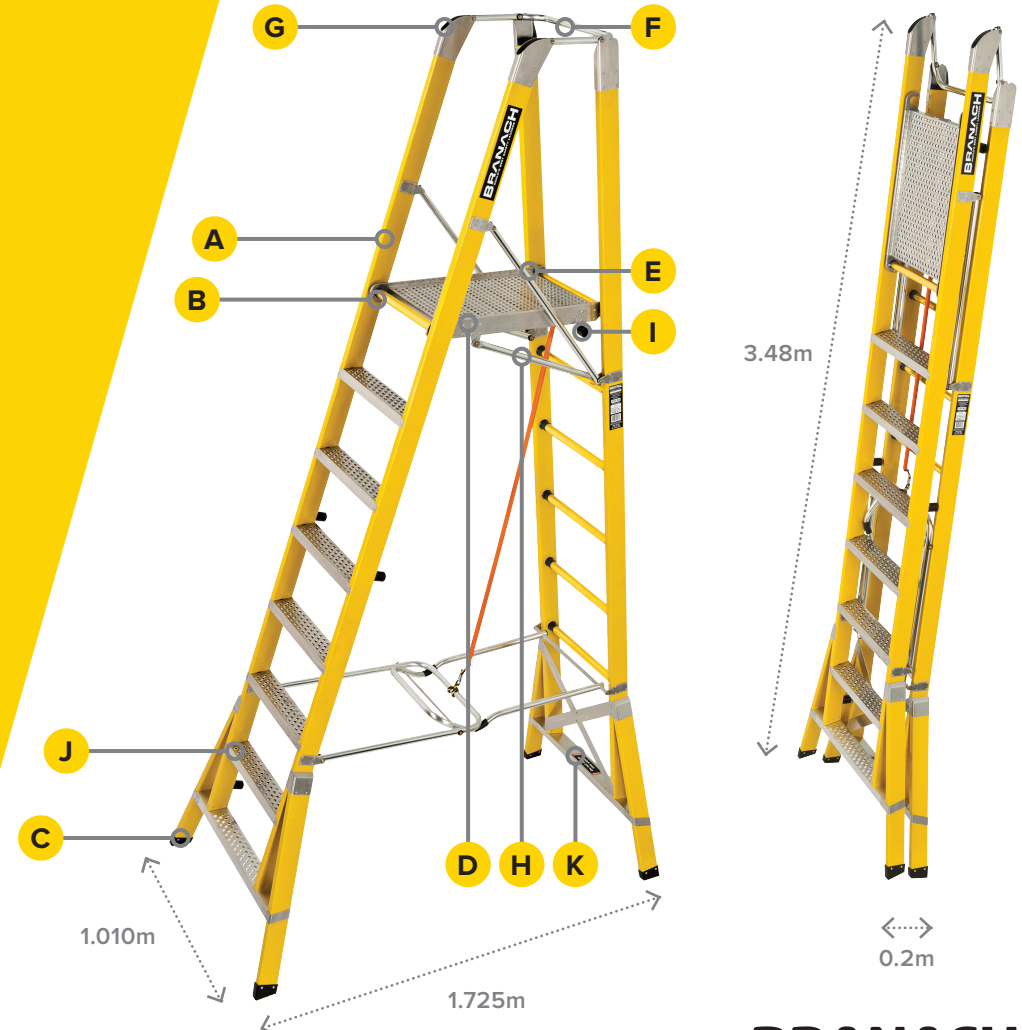
### MEASUREMENTS

📊 Weight	39kg
📏 Distance Between Rungs	0.305m
📏 Open Height	3.3m
📏 Closed Height	3.48m
📏 Platform Height	2.4m
📏 Handrail Height	0.9m above platform
📏 Closed Width	0.2m
📏 Number of Steps	8 including platform

### COMPONENTS

A Stiles	Fibreglass: ISO-PE resin with e-glass fibres
B Rungs	Round: Fibreglass ISO-PE resin with e-glass fibres
C Feet	Thermoplastic Polyurethane
D Platform Deck	316 Stainless Steel
E Platform Hooks	316 Stainless Steel
F Handrail	316 Stainless Steel
G Brackets	316 Stainless Steel
H Rods and Struts	316 Stainless Steel
I Spacer	Polyethylene
J Step Plates	316 Stainless Steel
K Rear Step	316 Stainless Steel
Rivets	316 Stainless Steel
Nuts	316 Stainless Steel
Washers	316 Stainless Steel

Product Code	FPS 2.4
Manufacturer's Name	Branach Manufacturing Pty Ltd
Phone Number	+613 9761 6633
Certified By (Name, Title)	Pat Driscoll Business Development Manager
Last Updated	5/11/2015



3.48m

1.010m

1.725m

0.2m

# CorrosionMaster Step Platform FPS 3.0

## Technical Data Sheet

### PROPERTIES

✓ Standards	AS/NZS 1892.3 / ANSI A 14.5-2000
⚠ Load Rating	150kg
⚡ Electrical Properties	Complies to AS/NZS 1892.3 Section 2.4
🔥 Heat Resistance	130 Degrees Celsius
🧪 Chemical Resistance	Tested to AS/NZS 1892.3
☁ Accelerated Weathering Test	Tested to AS 2331.3.1
🛠 Warranty	3 years from date of manufacturing

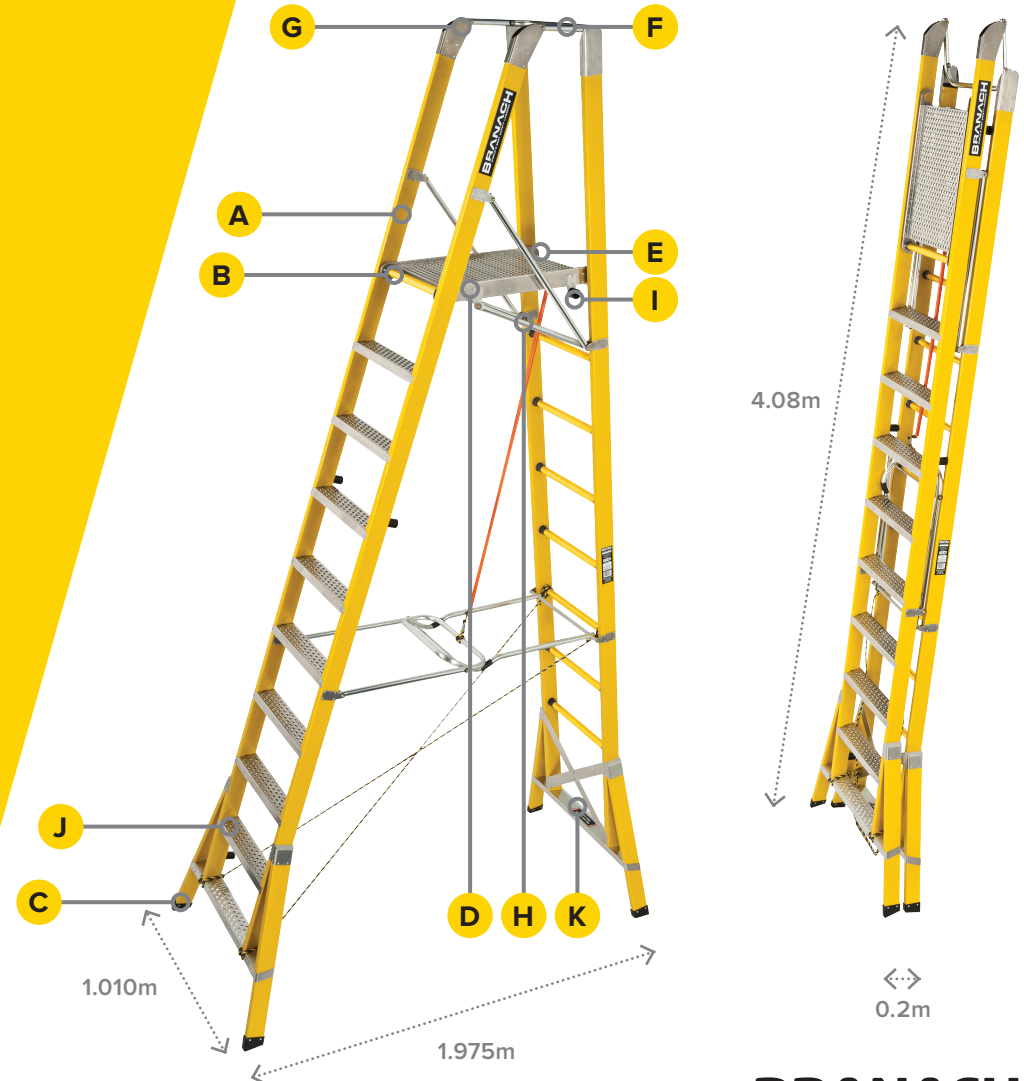
### MEASUREMENTS

🏋️ Weight	45kg
↕ Distance Between Rungs	0.305m
◇ Open Height	3.9m
∨ Closed Height	4.08m
⌒ Platform Height	3.0m
⌒ Handrail Height	0.9m above platform
✂ Closed Width	0.2m
🪜 Number of Steps	10 including platform

### COMPONENTS

A Stiles	Fibreglass: ISO-PE resin with e-glass fibres
B Rungs	Round: Fibreglass ISO-PE resin with e-glass fibres
C Feet	Thermoplastic Polyurethane
D Platform Deck	316 Stainless Steel
E Platform Hooks	316 Stainless Steel
F Handrail	316 Stainless Steel
G Brackets	316 Stainless Steel
H Rods and Struts	316 Stainless Steel
I Spacer	Polyethylene
J Step Plates	316 Stainless Steel
K Rear Step	316 Stainless Steel
Rivets	316 Stainless Steel
Nuts	316 Stainless Steel
Washers	316 Stainless Steel

Product Code	FPS 3.0
Manufacturer's Name	Branach Manufacturing Pty Ltd
Phone Number	+61 3 9761 6633
Certified By (Name, Title)	Pat Driscoll Business Development Manager
Last Updated	5/11/2015



4.08m

1.010m

1.975m

0.2m



# CorrosionMaster Step Platform FPS 3.6

## Technical Data Sheet

### PROPERTIES

✓ Standards	AS/NZS 1892.3 / ANSI A 14.5-2000
⚠ Load Rating	150kg
⚡ Electrical Properties	Complies to AS/NZS 1892.3 Section 2.4
🔥 Heat Resistance	130 Degrees Celsius
🧪 Chemical Resistance	Tested to AS/NZS 1892.3
☁ Accelerated Weathering Test	Tested to AS 2331.3.1
🛠 Warranty	3 years from date of manufacturing

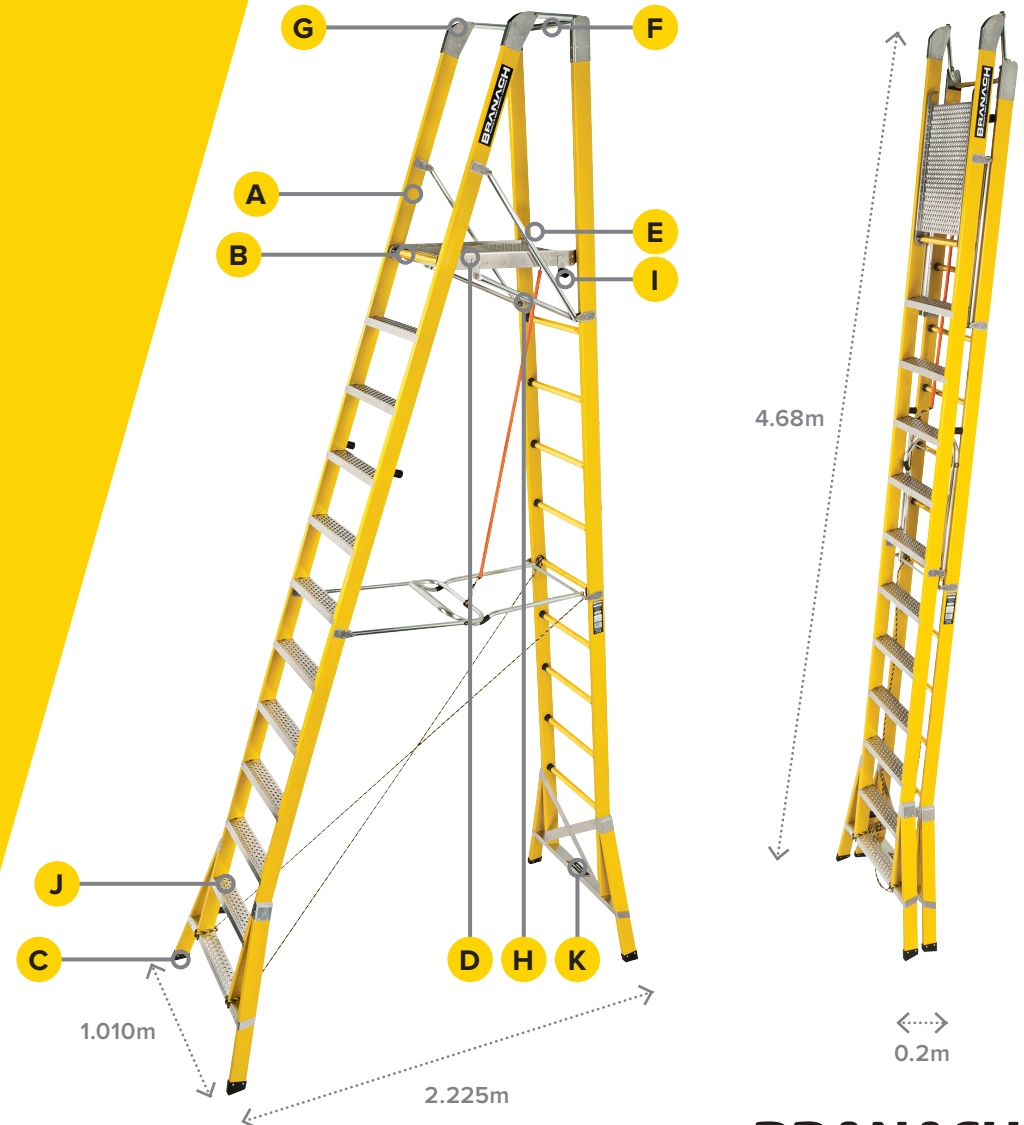
### MEASUREMENTS

🏋️ Weight	51kg
↕ Distance Between Rungs	0.305m
◇ Open Height	4.5m
∨ Closed Height	4.68m
↗ Platform Height	3.6m
∩ Handrail Height	0.9m above platform
✂ Closed Width	0.2m
🪜 Number of Steps	12 including platform

### COMPONENTS

A Stiles	Fibreglass: ISO-PE resin with e-glass fibres
B Rungs	Round: Fibreglass ISO-PE resin with e-glass fibres
C Feet	Thermoplastic Polyurethane
D Platform Deck	316 Stainless Steel
E Platform Hooks	316 Stainless Steel
F Handrail	316 Stainless Steel
G Brackets	316 Stainless Steel
H Rods and Struts	316 Stainless Steel
I Spacer	Polyethylene
J Step Plates	316 Stainless Steel
K Rear Step	316 Stainless Steel
Rivets	316 Stainless Steel
Nuts	316 Stainless Steel
Washers	316 Stainless Steel

Product Code	FPS 3.6
Manufacturer's Name	Branach Manufacturing Pty Ltd
Phone Number	+613 9761 6633
Certified By (Name, Title)	Pat Driscoll Business Development Manager
Last Updated	5/11/2015



4.68m

1.010m

2.225m

0.2m