

**Model : VEL 330/S**



**Specifications :**

Mild Steel Housing  
Polycarbonate Opal Reeded Diffuser

**Test Standard :**

MS 619-2-22:2005  
MS IEC 60598-1:2012

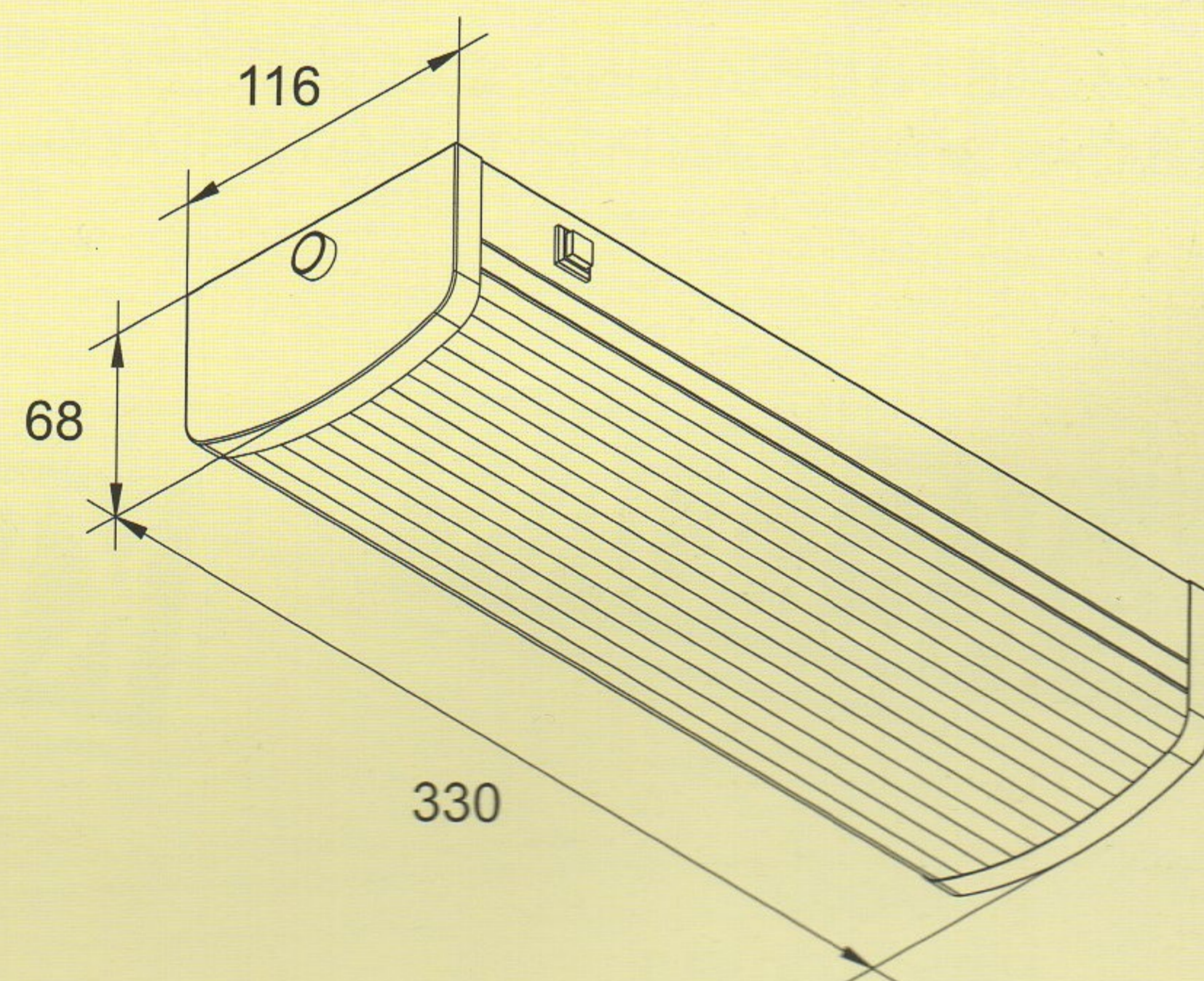
**Mounting Method :**

Wall / Surface Ceiling

**CERTIFIED BY :**

SIRIM QAS INTERNATIONAL SDN. BHD.  
JABATAN KERJA RAYA MALAYSIA  
JABATAN BOMBA DAN PENYELAMAT MALAYSIA

**Dimension (mm) :**



Mains Supply	220 – 240V 50/60Hz	Rating	< 0.06A / < 3W / < 0.6 PF
Mode of Operation	Non-Maintained	Classification	Class 1
Lamp	LED 20 pieces X 0.2W	Degree of Protection	IP 20
Battery	Ni-Cd AA 3.6V 1000mAh	Max. Operating Temperature (Ta)	35°C
Emergency Duration	Min. 3 Hours	Recommended Mounting Height	Min. 2.3m
Recharge Period	14 - 16 Hours	Weight	0.8 KG

Packing : 15 sets per Carton box

Outer carton box : 442 X 384 X 367 mm ( 14.1 kg )

Inner carton box : 346 X 122 X 83 mm ( 0.875 kg )