

# LEDXION S439 SERIES

## 30W, 40W & 60W LED STREET LANTERN



LEDXION K09360 30W

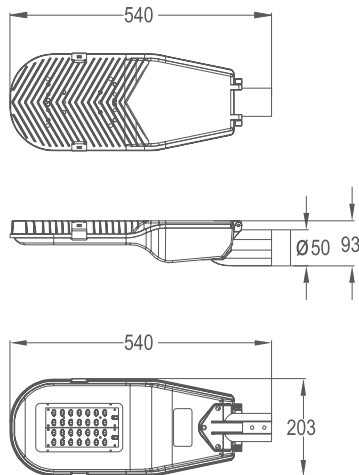


LEDXION K09360 40W



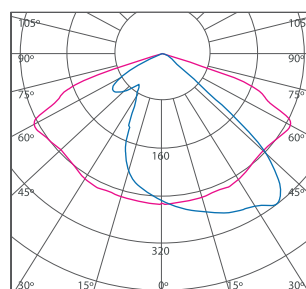
LEDXION K09360 60W

### DIMENSION



### PHOTOMETRIC

LEDXION K09360 60W



Efficacy:

- 91 lm/W (30W Model)
- 96 lm/W (40W Model)
- 94 lm/W (60W Model)

## LED TECHNICAL DATA

Typical Luminous Flux & Efficiency @ 700 mA:

- 280 lm

Max Junction Temperature:

- 150°C

Color Temperature:

- 5300K Daylight

\* 3000K Warmwhite & 4000K Coolwhite available upon request

LED Life Cycle:

- 50,000 hrs

## COMPLIANCE STANDARD

LED:

- LM 80

Driver:

- CE, EN55015, EN61000, EN61547

Luminaire:

- LM 79, EN 60598-1, EN 60598-2-3, EN62471, EN62493, EN61000-3, EN61547

## ORDER CODE

- S439 30W - LEDXION K09360 30W
- S439 40W - LEDXION K09360 40W
- S439 60W - LEDXION K09360 60W

\* Please indicate LED color temperature when ordering.

## CARTON DIMENSION

- 580(L) mm x 245(W) mm x 150(H) mm

## LUMINAIRE TECHNICAL DATA

LED Light Source:

- 1 LED Module x 14 LUMILEDS LUXEON Rebel ES (30W)
- 1 LED Module x 18 LUMILEDS LUXEON Rebel ES (40W)
- 2 LED Modules x 14 LUMILEDS LUXEON Rebel ES (60W)

Housing Material:

- Die-cast aluminium finished with durable polyester epoxy powder coating

Operating Temperature:

- -30°C ~ +45°C

Power Supply:

- 220 ~ 240 Vac 50 / 60Hz
- Constant Current : 700mA
- Dimmable : 1-10V, PWM

\* Time Control is available upon request

Surge Protection:

- External SPD 10kV, 20kA

Max System Power & Lumen Output:

- 34W
- 42W
- 66W

Total Luminous Flux:

- 3100 lm - 30W
- 4050 lm - 40W
- 6200 lm - 60W

Insulation Classification:

- Class I

Ingress Protection:

- IP66 (Lamp & Gear Compartments)

Mounting Spigot

- ø50mm

\* Extended ø65mm spigot is available upon request

Pole Installation Details (mm)

- Pole diameter ø42-50mm

Nett Weight:

- 4.0 kg

## APPLICATION

- Parking Areas, Road Lightings, Residential Areas, Recreation & Public Venue Lightings

