

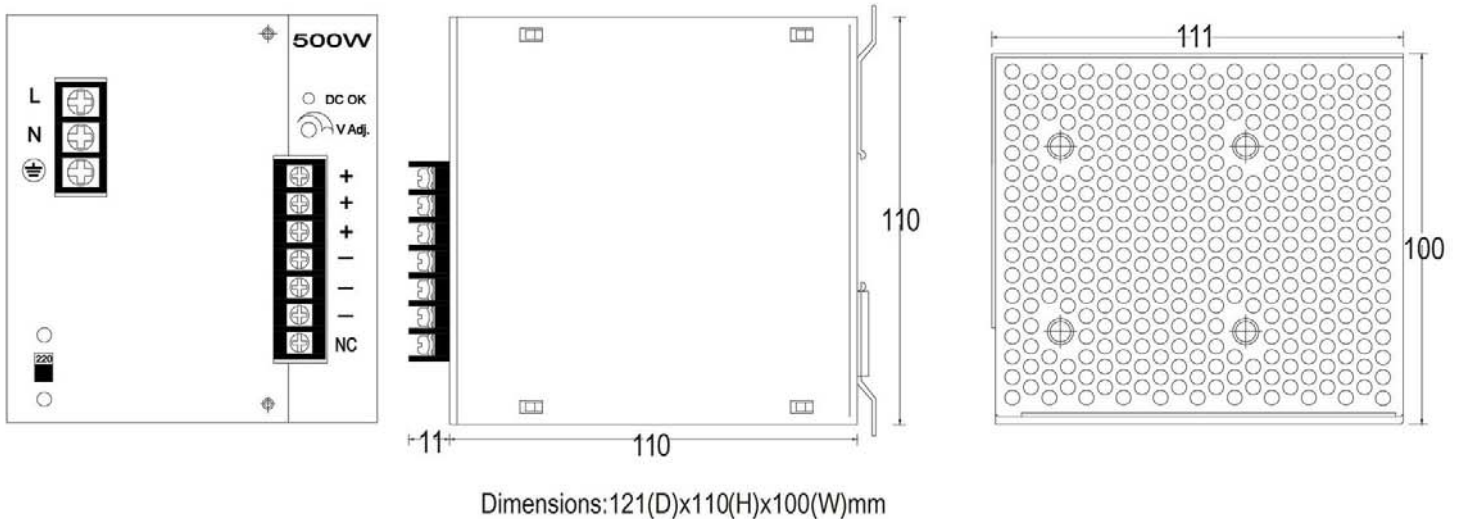


INPUT

Input voltage115/230VAC selectable
 Input frequency.....47~63Hz
 Inrush current22A/115VAC
 (Cold start) 44A/230VAC

OUTPUT

Hold-up time (Full load@230VAC)20mS Min.
 Over voltage protectionAutorecovery
 Overload protectionPower limited
 Short circuit protectionAutorecovery



AD1500S Series

Single output

Model	Charging Voltage	Loading (A)		Ripple Noise	Line Reg.	Load Reg.	Eff.	O.V.P.	Redundant Function	CB	UL	TUV	
		Min.	Rated	Max.									
AD1500-24S	27.2VDC	0A	21A	21A	150mVp-p	± 1%	± 1%	85%	30VDC Max.	Option	Yes	Yes	None
AD1500-48S	54.4VDC	0A	10.5A	10.5A	250mVp-p	± 1%	± 1%	85%	56VDC Max.	Option	Yes	Yes	None

- NOTE:**
1. Each charging output can supply up to maximum current, but total loading can not exceed rated output wattage.
 2. Line regulation is measured from low line to high line at rated load.
 3. Load regulation is measured from 20% to 100% of rated load at 230VAC input.
 4. Ripple & Noise is measured by using a 0.1uF/630V metalized capacitor & a 47uF electrolytic capacitor parallel on the test point, at rated load and 230VAC input.
 5. Efficiency is measured at rated load and 230VAC input.