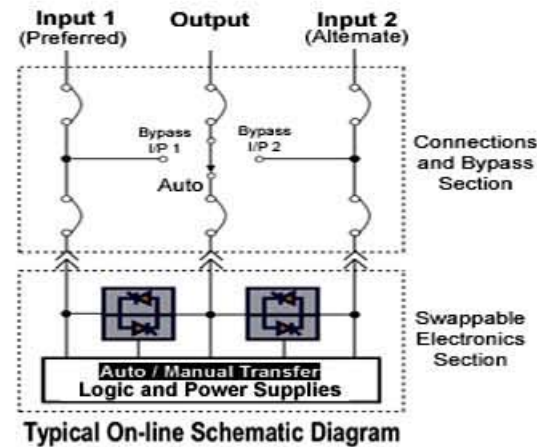


The **MicroMate** single-phase Static Transfer Switch (STS) is a fast solid-state switching device used to provide automatic transfers between two autonomous AC power sources, for instance the preferred UPS and the alternate UPS. This is to ensure continuity of AC power to critical loads, despite irregularities in either of the two power sources. The transfer is accomplished with a built-in IPFD (Intelligent Power Fail Detector) to provide fast sensing and break-before-make switching, eliminating risk of cross connection between the two input AC power sources.

The Static Transfer Switch consists of two parts,

- a fixed body containing the input and output connections, bypass control switch, digital voltmeter and status indicators;
- a hot-swappable electronics module containing automatic transfer and manual triggering facilities. The body casing is keylocked to prevent unauthorized door opening and removal of the swappable module. It is designed to allow replacement of the removable electronics module without having to de-energize the load equipment.



Technical Specifications

| Model | STS-132 | STS-140 | STS-163 | STS-1100 |
|------------------------------|--|-------------|-------------|--------------|
| Ratings | 32A, 280Vac | 40A, 280Vac | 63A, 280Vac | 100A, 280Vac |
| Operation | SCR Ultra Fast Switching | | | |
| Power Sensing | IPFD (Intelligent Power Fail Detector) | | | |
| Inputs | AC 240V $\pm 10\%$, 1 ϕ , 50Hz $\pm 6\%$ (Preferred and Alternate) | | | |
| Output | AC 240V, 1 ϕ , 50Hz | | | |
| Transfer Time | <6ms Automatic Transfer, <0.5ms Manual Triggering | | | |
| Efficiency | >99% | | | |
| Crest Factor | 3.5 | | | |
| Power Factor | 0.5 ~ 1.0 | | | |
| No. of Poles | Two breaker poles | | | |
| Surge Protection | 20 Joules @10/100uS & 1200A @8/20uS | | | |
| General Features | Manual and automatic transfers Selectable preferred input source Bypass capability for servicing convenience Status LEDs Information with Remote Indications (Dry Contacts) Swappable control module | | | |
| Ambient & Humidity | 45 °C max. & 95% non-condensing | | | |
| Dimension (mm ³) | W420 x D325 x H430 | | | |
| Weight (approx) | 16 ~ 26KG | | | |

MicroMate[®]

Single-phase Static Transfer Switch

* Due to the policy of continued product improvement, specifications are subject to change without notice.



EMERGENCY COMPANY
BUSSINES OF THE YEAR
MALAYSIA 2006

CRYSTAL WINNER
BUSSINESS SUMMIT
MALAYSIA 2007

INTERNATIONAL GOLD STAR
FOR QUALITY AWARD
(ISAQ), GENEVA 2008

