

TEST REPORT

REPORT NO : 2016CB1110

PAGE : 1 OF 2

This Test Report refers only to samples submitted by the applicant to SIRIM QAS International Sdn. Bhd. and tested by SIRIM QAS International Sdn. Bhd. This Test Report shall not be reproduced, except in full and shall not be used for any purpose by any means or forms (including but not limited to advertising purposes) without written approval from the Managing Director, SIRIM QAS International Sdn. Bhd. Please refer overleaf of Page 1 for Conditions Relating to the Use of Test Report.

Applicant. : IMETEX INDUSTRIES (M) SDN. BHD.
530, Jalan Waja 4, Kawasan Industri Waja 11,
09000 Kulim, Kedah.

Manufacturer : IMETEX INDUSTRIES (M) SDN. BHD.

Product : Self-Drilling Screw

Reference Standard/
Method of test : Company's Specification :-
- Shear Test

Description of sample : One set of samples of Self Drilling Screw were received for testing.
Model : # 10 x 5/8 (516)
Brand : 1X

Date Received of
Complete Application : 20th June 2016

Job No./Ref. No. : J20161431021/SQAS/CCST/T.REC/MSL/03

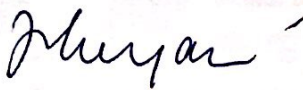
Description of test
results : The test results for the submitted test samples are described in Page 2
of this test report.

Issued date : 24 JUN 2016

Approved Signatory


.....
(NQR AZLAN ROSLANI)
Testing Executive




.....
(YM RAJA NOR SIHA RAJA ABD. HANAN)
Head
Civil & Construction Section
Testing Services Department

This Test Report refers only to samples submitted by the applicant to SIRIM QAS International Sdn. Bhd. and tested by SIRIM QAS International Sdn. Bhd. This Test Report shall not be reproduced, except in full and shall not be used for any purpose by any means or forms (including but not limited to advertising purposes) without written approval from the Managing Director, SIRIM QAS International Sdn. Bhd. Please refer overleaf of Page 1 for Conditions Relating to the Use of Test Report.

TEST RESULTS : SINGLE SHEAR BREAKING TEST

Test procedure :

- 1) Assemble the self drilling screw into the steel plate as shown the schematic diagram.
- 2) Grip the fixture to the Instron Testing Machine.
- 3) Apply tensile force to the self drilling screw until fracture.
- 4) Record the load value in kN.

SAMPLE REFERENCE	MAX. LOAD (kN)	REMARKS
Sample 1	8.15	Sample fractured
Sample 2	7.93	Sample fractured
Sample 3	6.88	Sample fractured

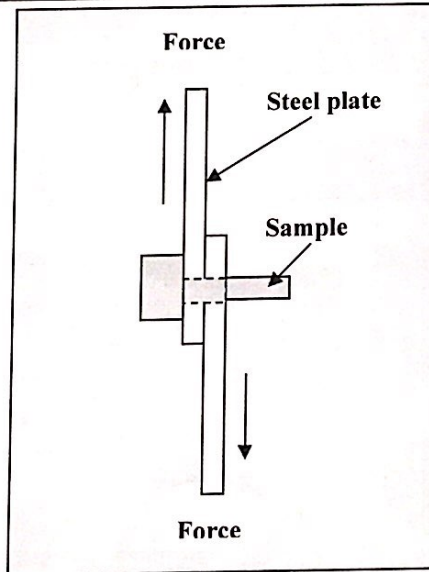


Figure 1.0 : Schematic diagram for single shear breaking

24 JUN 2016

