



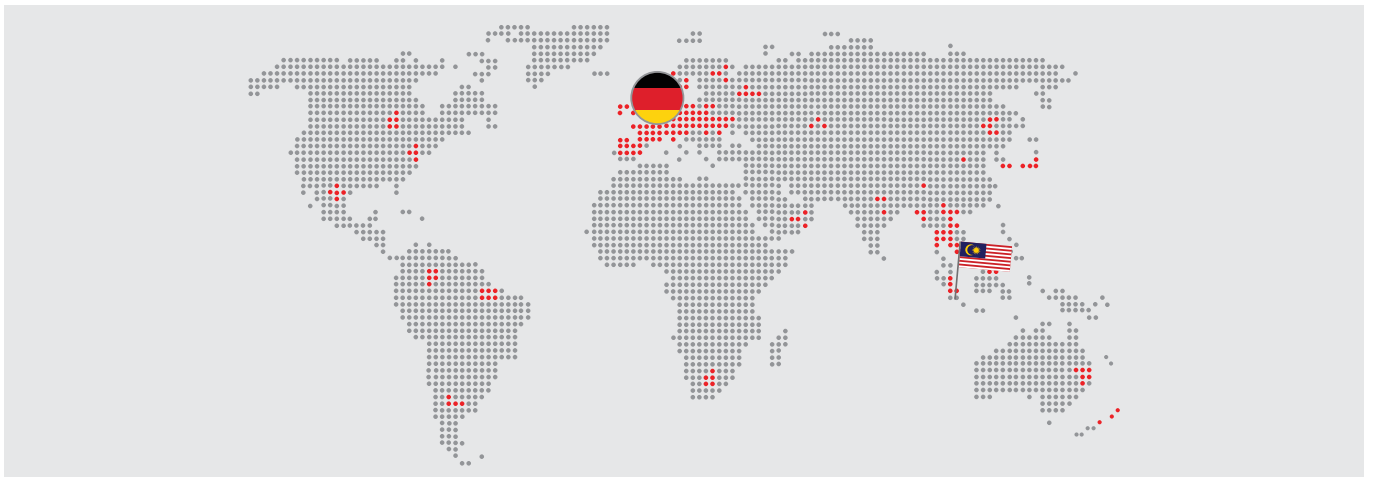
HÄFELE - WHERE TRUST WAS BUILT FROM COMPETENCE



Founded in Germany in 1923, Häfele is a world-renowned provider of smart home and project solutions. Häfele's superior range of products not only exemplifies German quality standards, but is developed with the philosophy of "functionality" and "easiness" in mind to offer reliable solutions for both professionals and consumers.

Since the establishment in Malaysia in 1993, Häfele has been continuously improving and expanding its products and services, making the key components of Malaysian homes - door security as well as kitchen, wardrobe and the home appliances to a much more efficient spaces.

With innovative solutions, adherence to high standards and a dedicated team, Häfele Malaysia looks to create more modern and optimal living spaces for Malaysian in the future.



CONTENT

DRAWER



DRAWER ORGANISATION SYSTEM



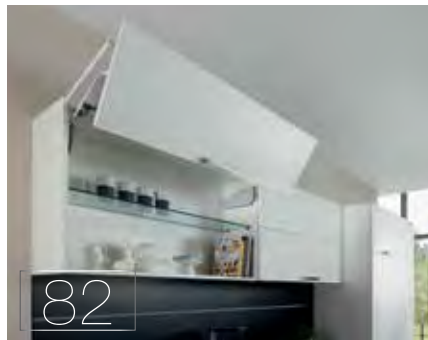
KITCHEN STORAGE AND ACCESSORY



TABLE FITTING



FLAP FITTING & HINGE



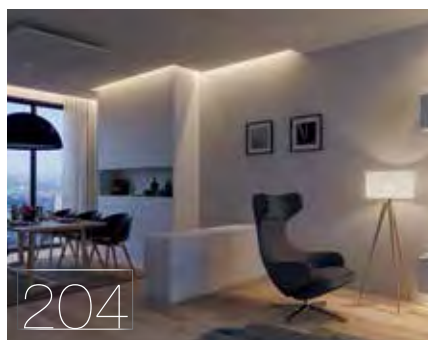
SLIDING DOOR FITTING



WARDROBE ACCESSORY & LIVING ROOM



LIGHTING SYSTEM



FURNITURE HANDLE & WARDROBE HOOK



LOCKING SYSTEM



CABINET CONSTRUCTION



WARRANTY OVERVIEW

TESTED QUALITY & CAREFREE WARRANTY

Häfele's products are developed and made with one of the world-leading furniture fitting technologies that has spanned nearly 95 years. Moreover, they are frequently tested in accordance with Häfele's strict quality standards as well as those of many prestigious organization around the world.



QUALITY CERTIFICATES

At Häfele, we recognize the important of quality, function and design when it comes to making furniture.

That is why all Häfele furniture fittings have successfully passed performance and quality assurance tests that are strictly set based on mandatory requirements. From durability, operation functions, safety, to efficiency and capability. These are put to test to make sure Häfele products meet international standard and meanwhile comply to local guidelines.

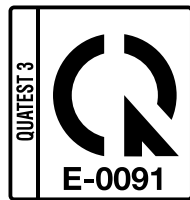


① Quality Certified by SGS



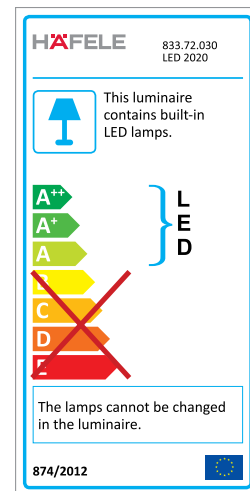
SGS is the world's leading inspection, verification, testing and certification company, established in Switzerland since 1878.

② The CE Marking Transparency and Safety on European Markets



Only safe, flawless, and quality goods should be available on the European market – at least, that's the objective of the CE mark. The mark proves that the product in question conforms to EU health and safety standards. CE experts conduct an audit on products based on the appropriate EU regulations, such as the low-voltage or electromagnetic compatibility directive. CE declaration of conformity means the product now has right of way onto the European market.

③ Energy Efficiency Category



④ TÜV Seal of Quality



One of Germany's best-known brand. The three letters that have become synonymous with safety and certainty, reliability and impartiality. TÜV organization ensure these principles are applied not only in Germany, but around the world.

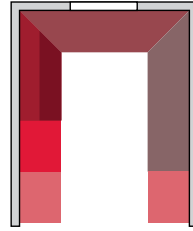
⑤ LGA Test Quality Comprehensive and Consistent Quality of Product Features



The "LGA Tested Quality" mark distinguishes first-class products - products that fulfill the actual purpose.

KITCHEN PLANNING.

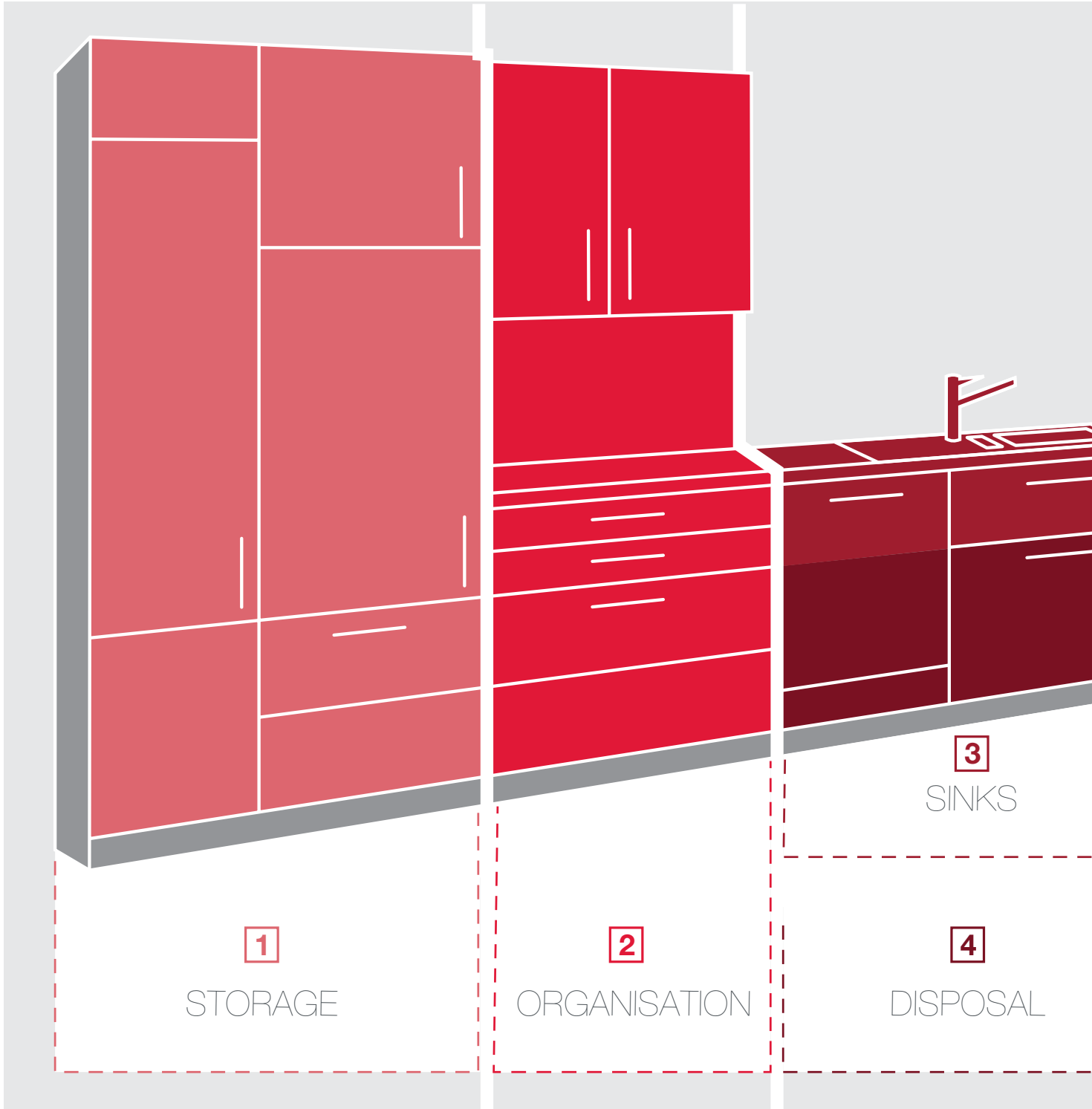
U-Shape



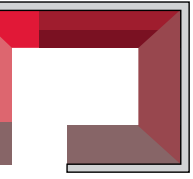
Island kitchen



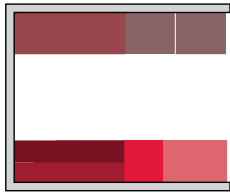
G-S



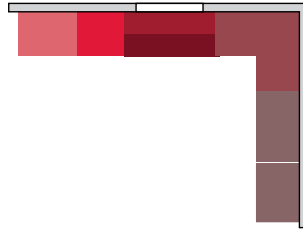
Shape



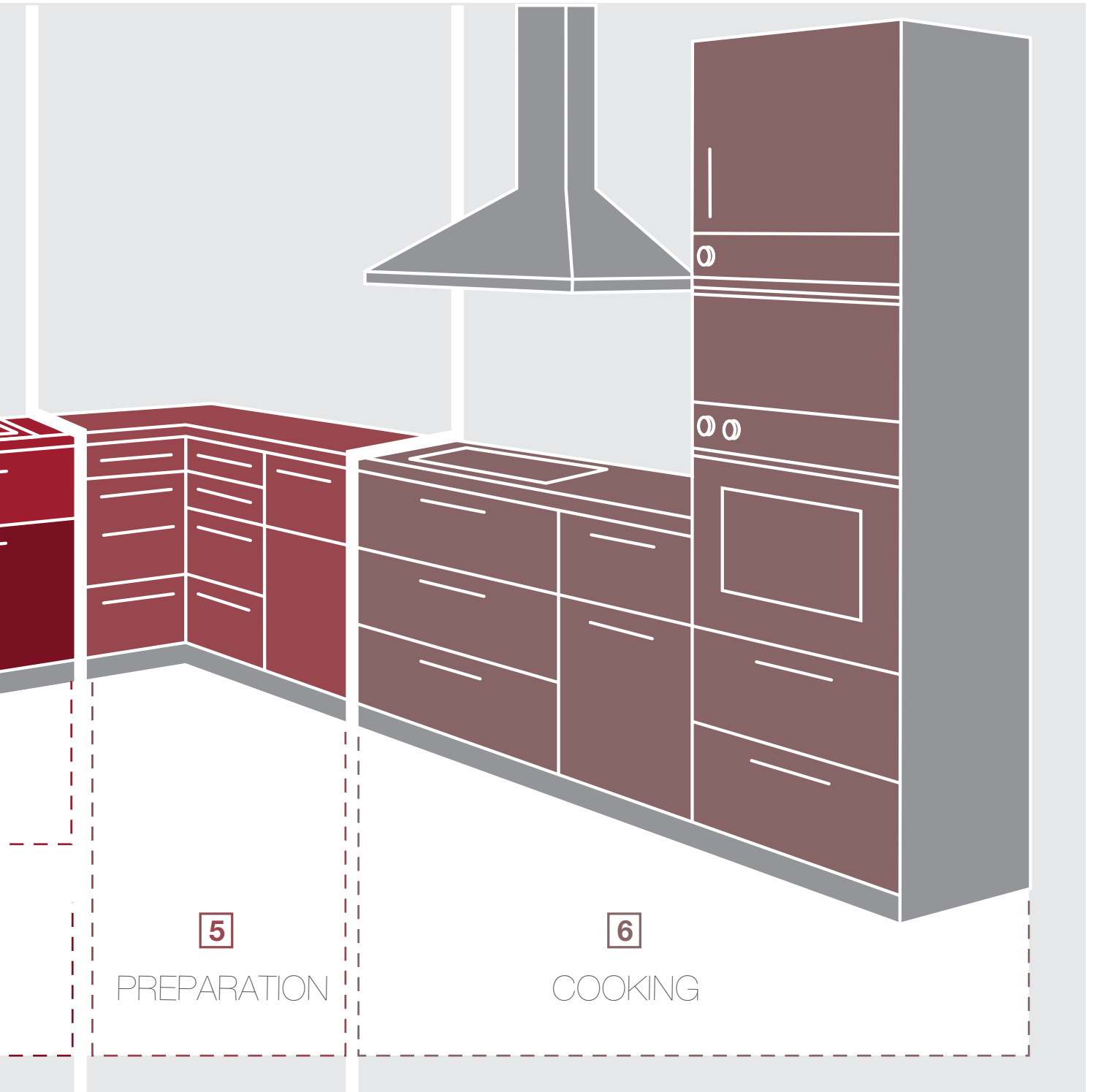
Galley



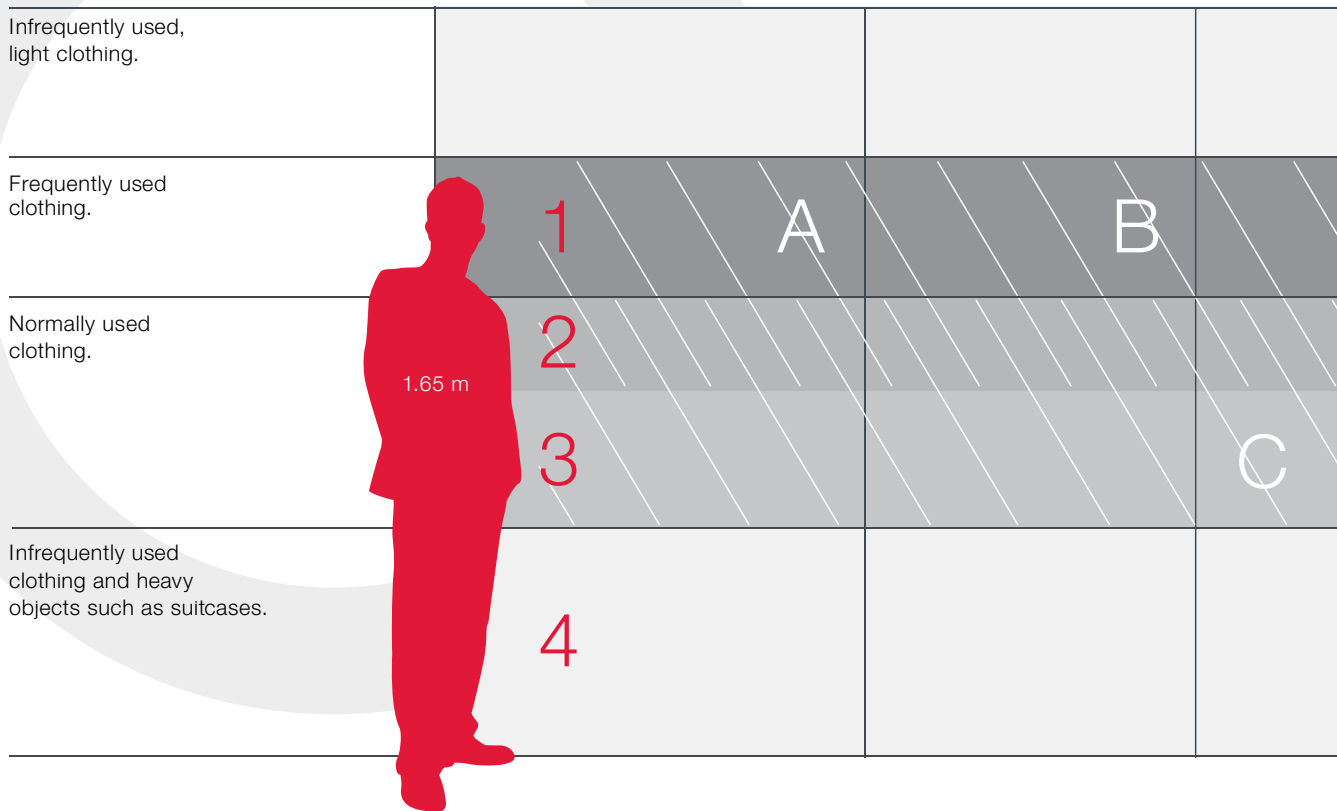
L-Shape



Single wall



WARDROBE PLANNING.



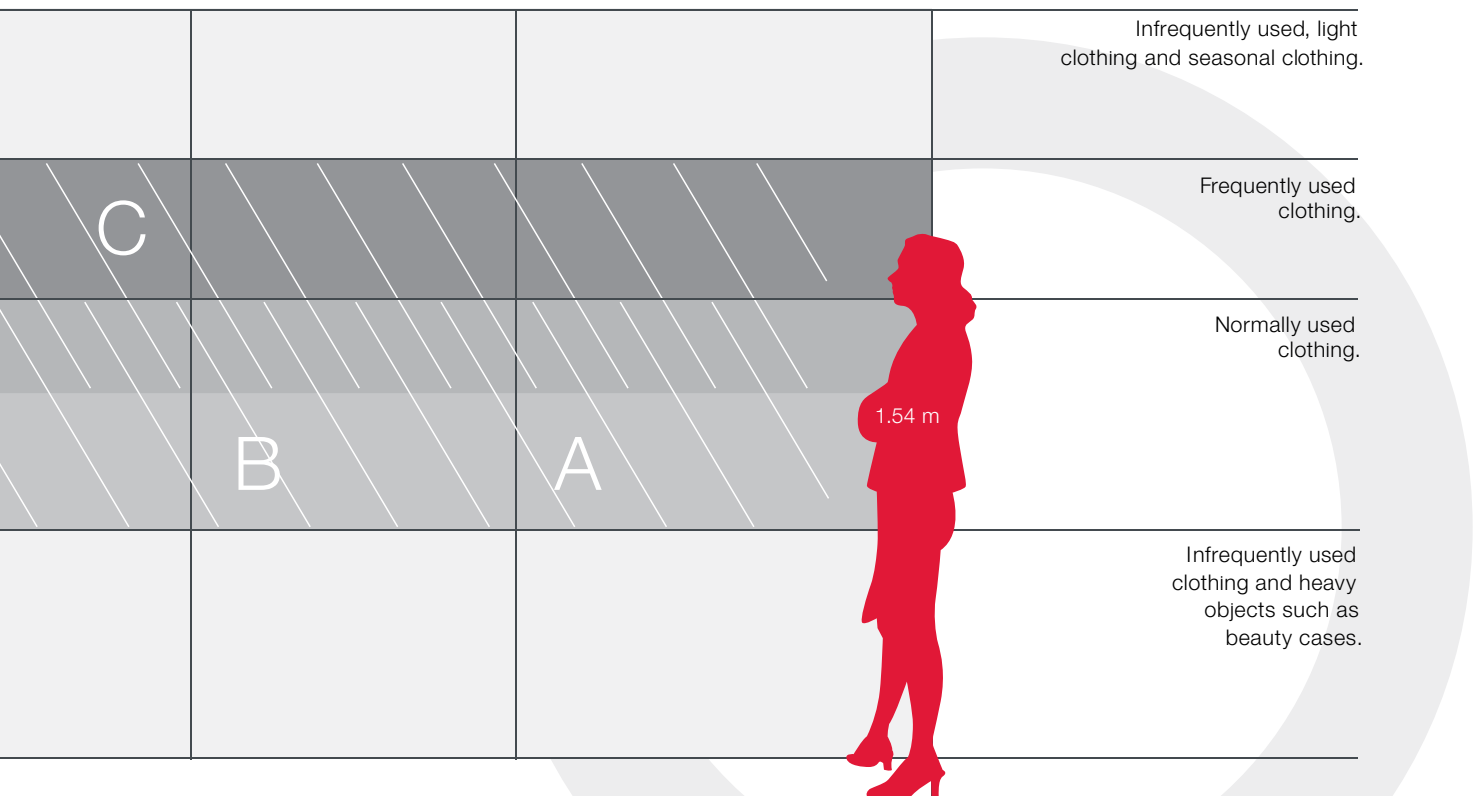
THE ACCESS ABC FOR HIM.

The order of the clothing to be removed corresponds to your personal course of action in the morning. For example: underwear, socks, T-shirt, shirt suit, tie...

- 1 Easy access area. This area can be accessed by the respective person without major ergonomic posture changes. Ideally equipped with illuminated wardrobe rails and shelving.
- 2 Optimum access area. Items of clothing that are removed from the wardrobe at least once a day are perfectly stored in the special feature of the wardrobe. Easy to combine with concealed drawer boxes, drawers with inserts and shelves.

OPTIMAL ACCESS AREAS IN THE WARDROBE MAKE YOUR LIFE EASIER

What a pleasant idea: less bending and stretching. No clearing and searching. One look, one movement and you have the desired piece of clothing in your hand. Get an overview of your clothes and think about what you wear and how often and where it should be stored most appropriately.



3 Ergonomic access area. Ease of access is provided with the aid of shelves, baskets and pull-out systems.

4 Sporty access area. Items of clothing that are used less frequently, seasonal clothing, suitcases, ironing boards etc. are well looked-after here. Wardrobe lifts and step stools make it easier to access the upper part of the wardrobe.

THE ACCESS ABC FOR HER.

The order of the clothing to be removed corresponds to your personal course of action in the morning. For example: underwear, silk stockings, blouse, T-shirt, suit, scarf.



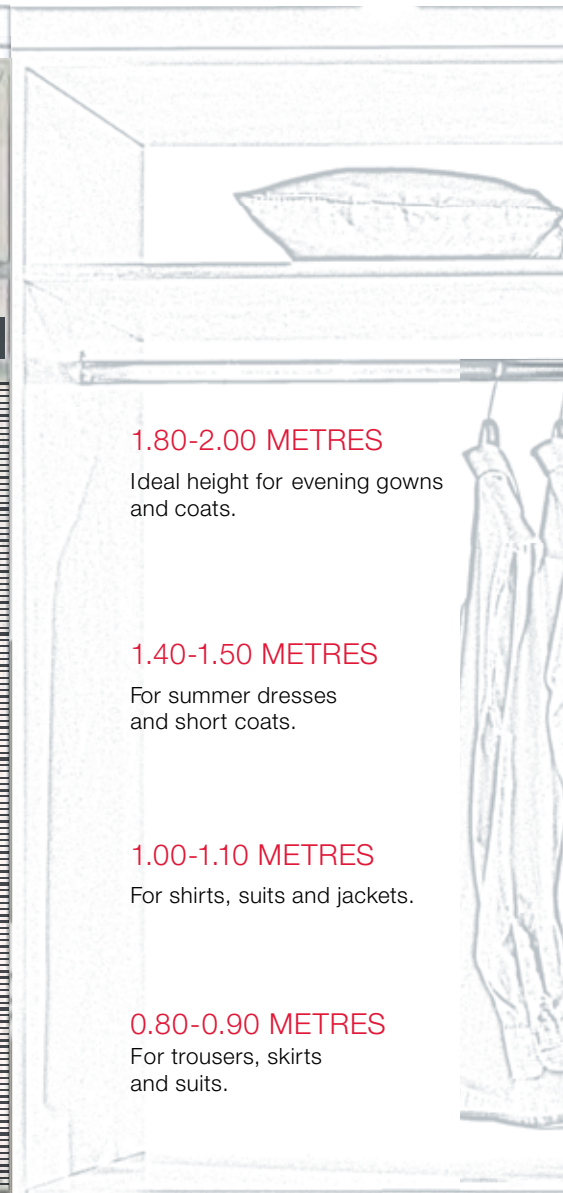
1 METRE WARDROBE RAIL FOR:

30 SHIRTS
(3 cm / shirt)

25 TROUSERS, SKIRTS
(4 cm / pair of trousers / skirt)

20 SUMMER JACKETS
(4 cm / jacket)

15 WINTER JACKETS
(6-8 cm / jacket)



1.80-2.00 METRES

Ideal height for evening gowns and coats.

1.40-1.50 METRES

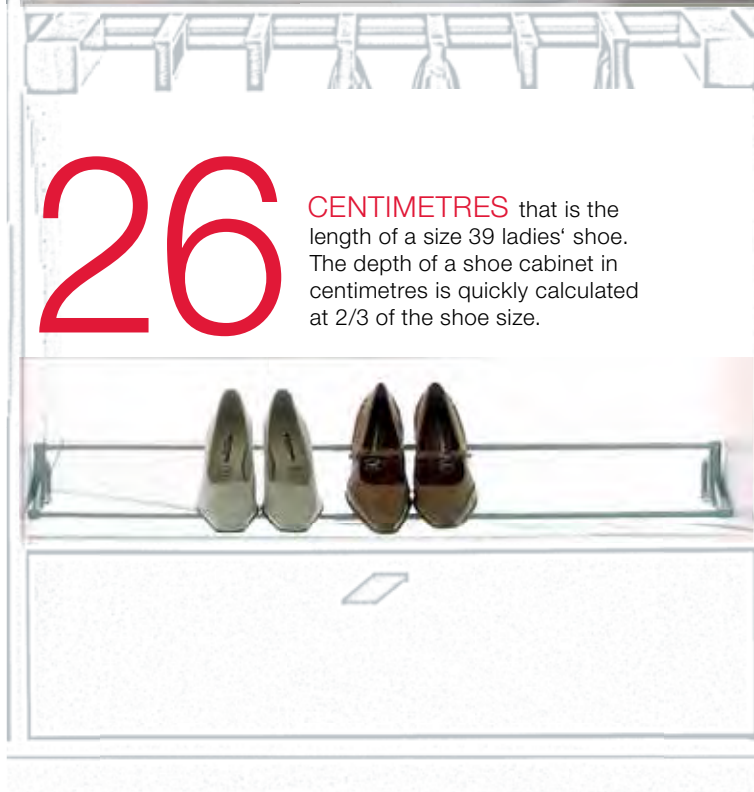
For summer dresses and short coats.

1.00-1.10 METRES

For shirts, suits and jackets.

0.80-0.90 METRES

For trousers, skirts and suits.



26 CENTIMETRES that is the length of a size 39 ladies' shoe. The depth of a shoe cabinet in centimetres is quickly calculated at 2/3 of the shoe size.



30-40 CENTIMETRES

of storage space for infrequently used objects such as suitcases, travel bags and winter beds.

THE ONLY THING THAT MATTERS

Before a new wardrobe is brought into the house, it is worth taking a look inside the old one. Because the right CONFIGURATION is easy to work out on the basis of the existing clothing and shoes.

4

PULLOVERS

can be stacked on insert mats without the sensitive fabric being damaged.

60

CENTIMETRES

is the ideal depth for a wardrobe. A coat hanger is between 43 and 47 cm wide - with a blazer, for example, the width increases to 50 to 55 cm.



DRAWER



HÄFELE

HÄFELE

ALTO-S

SMOOTH, EFFORTLESS AND SLIM

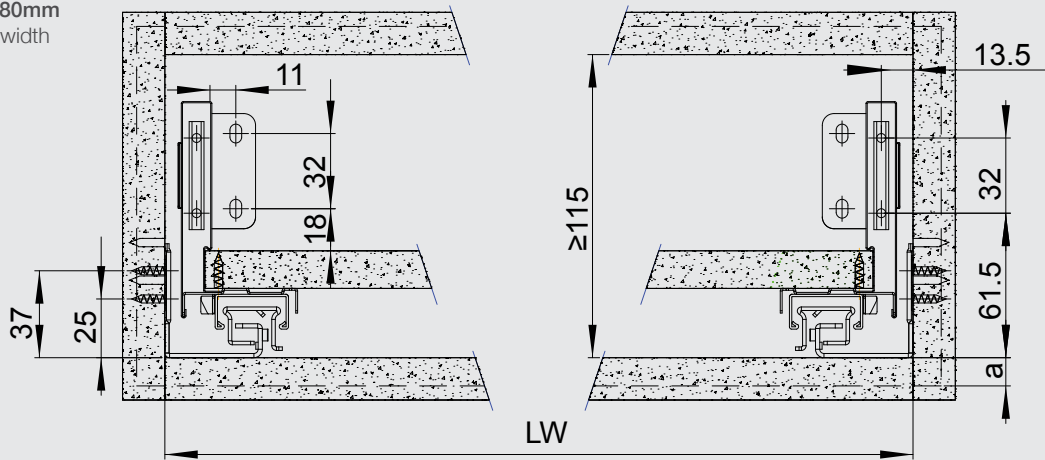
The ALTO-S drawer system offers an affordable solution coupled with quietness, smoothness and slim side panel design with 13 mm thickness for maximal storage space and minimalistic design.

The synchronized integrated self and soft closing opening action of the ALTO-S provides smooth operation even with wide drawers.

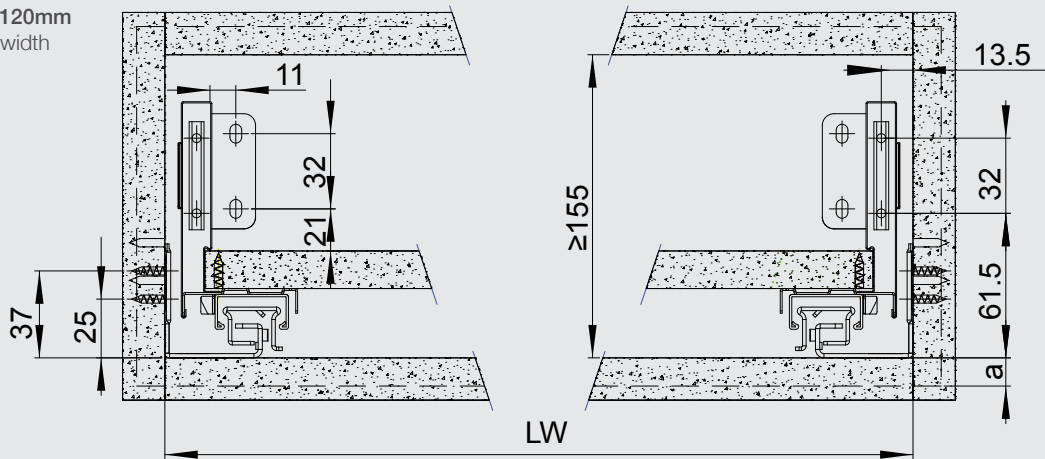
ALTO-S
DRAWER SYSTEM

Drawer side height

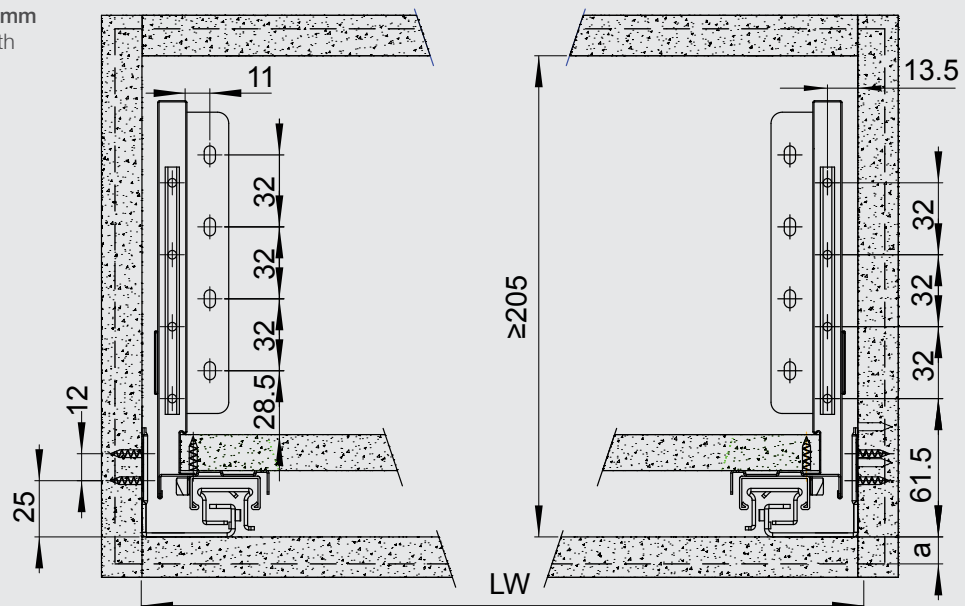
Drawer side height 80mm
LW - Internal drawer width



Drawer side height 120mm
LW - Internal drawer width

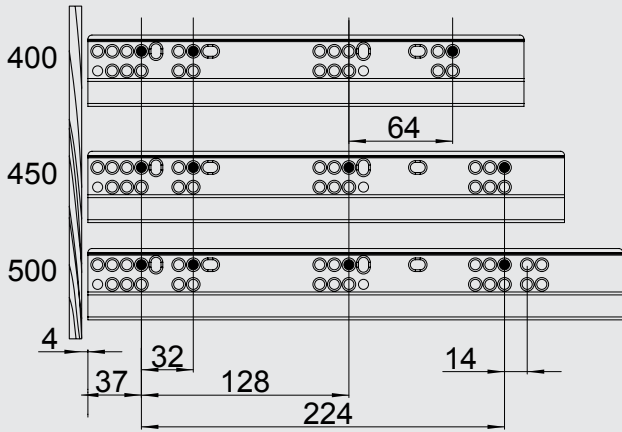


Drawer side height 170mm
LW - Internal drawer width



ALTO-S DRAWER SYSTEM

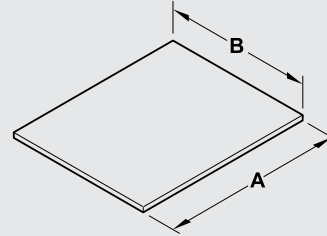
Drilling pattern for cabinet



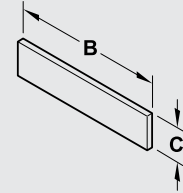
Drawer, inner drawer and pull out: 4th screw hole

Cutting dimensions for panels

Base panel



Rear panel



A = nominal length - 10mm

B = internal cabinet width - 35mm (Base panel)

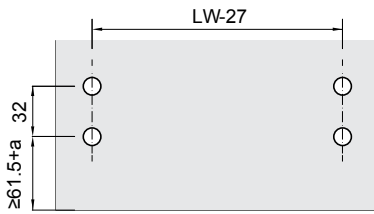
= internal cabinet width - 38mm (Rear panel)

C = see table

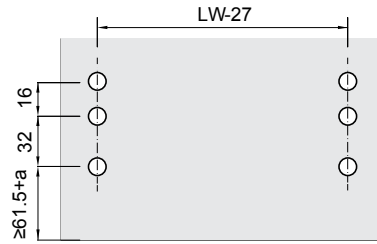
Drawer height (mm)	Rear panel height (mm) C
80	63
120	101
170	148

Drilling pattern for drawer fronts

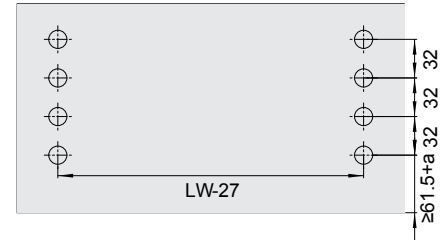
Drawer side height 80mm



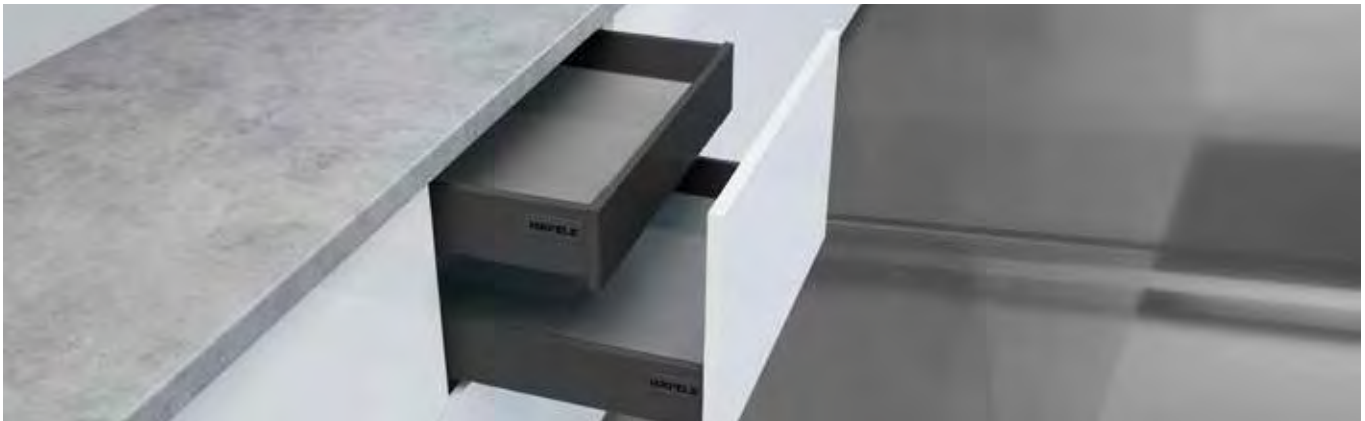
Drawer side height 120mm



Drawer side height 170mm



ALTO-S
DRAWER SYSTEM



- > Material: Steel
- > Finish: Drawer sides: Powder coated, cabinet rail: Zinc galvanized
- > Load bearing capacity: 35kg
- > Full extension with soft and self closing mechanism integrated in cabinet rail
- > Adjustment: Height adjustment +2.0mm, side adjustment ± 1.5mm, and depth adjustment +1.5mm



ALTO-S drawer set H80mm (S1)				
Colour Finish	Length	Cat. No.		Price* (MYR)
Anthracite	450 mm	552.49.315		151.00
	500 mm	552.49.316		160.00

Set includes 1 pair full extension drawer slides, 1 pair H80 drawer sides, 2 pieces front fixing bracket, 1 pair clip-on fixing, 2 pieces back bracket and 2 pieces cover cap
Packing: 1 set



ALTO-S drawer set H80mm with square railing set (S2)				
Colour Finish	Length	Cat. No.		Price* (MYR)
Anthracite	450 mm	552.55.310		172.00
	500 mm	552.55.306		183.00
Optional: Additional Square railing set				
Anthracite	450 mm	552.49.385		21.00
	500 mm	552.49.386		24.00

Set includes 1 pair full extension drawer slides, 1 pair H80 drawer sides, 2 pieces front fixing bracket, 1 pair clip-on fixing, 2 pieces back bracket, 1 pair square railing set and 2 pieces cover cap
Packing: 1 set



ALTO-S drawer set H120mm (S3)				
Colour Finish	Length	Cat. No.		Price* (MYR)
Anthracite	450 mm	552.49.334		161.00
	500 mm	552.49.335		170.00



Set includes 1 pair full extension drawer slides, 1 pair H120 drawer sides, 2 pieces front fixing bracket, 1 pair clip-on fixing, 2 pieces back bracket and 2 pieces cover cap
Packing: 1 set

Stock Item Freight Item

S4



ALTO-S drawer set H170mm (S4)



Colour Finish	Length	Cat. No.		Price* (MYR)
Anthracite	450 mm	552.49.344		185.00
	500 mm	552.49.345		195.00

Set includes 1 pair full extension drawer slides, 1 pair H170 drawer sides, 2 pieces front fixing bracket, 1 pair clip-on fixing, 2 pieces back bracket and 2 pieces cover cap
Packing: 1 set

S5



ALTO-S Inner drawer set H80mm (S5)



Colour Finish	Length	Cat. No.		Price* (MYR)
Anthracite	450 mm	552.55.311		252.00
	500 mm	552.55.307		260.00

Set includes 1 pair full extension drawer slides, 1 pair H80 drawer sides, 2 pieces front fixing bracket, 1 pair clip-on fixing, 2 pieces back bracket, 2 pieces inner front bracket, 1 pair front cover cap, 1 piece aluminium front and 2 pieces cover cap
Packing: 1 set

S6





ALTO-S Inner drawer set H170mm (S6)

Colour Finish	Length	Cat. No.		Price* (MYR)
Anthracite	450 mm	552.55.312		317.00
	500 mm	552.55.308		328.00

Set includes 1 pair full extension drawer slides, 1 pair H170 drawer sides, 2 pieces front fixing bracket, 1 pair clip-on fixing, 2 pieces back bracket, 2 pieces inner front bracket, 1 pair front cover cap, 1 piece aluminium front panel, 1 piece front aluminium bar and 2 pieces cover cap
Packing: 1 set



Square bar dividing system

Colour Finish	For drawer width	Cat. No.		Price* (MYR)
Anthracite	Up to 900mm	552.55.315		60.00
	Up to 1200mm	552.49.429		80.00

Up to 900mm set includes 2 pieces square railing bar, 4 pieces T-connector and 6 pieces short divider
Packing: 1 set

Up to 1200mm set includes 2 pieces square railing bar, 4 pieces T-connector and 10 pieces short divider
Packing: 1 set



ALTO

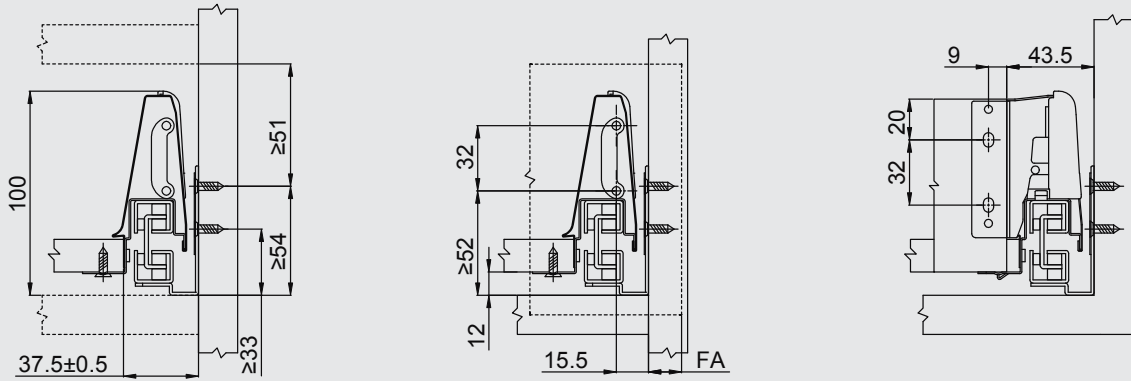
Smooth and effortless. Totally practical, the ALTO drawer system offers an affordable solution coupled with silence, smooth running and ease of use. The synchronised opening action of the ALTO drawer system is supremely comfortable - thanks to proven knowledge behind the soft-closing technology, leaving you in no doubt of its quality.

ALTO
DRAWER SYSTEM

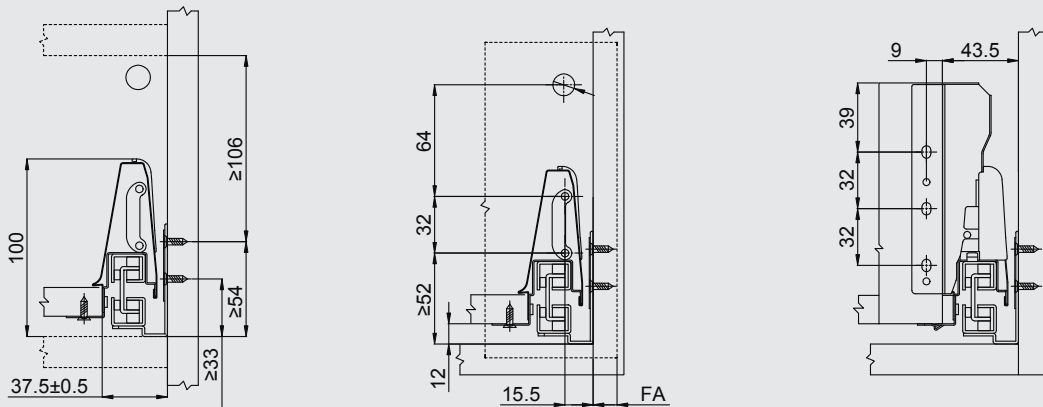


Drawer side design

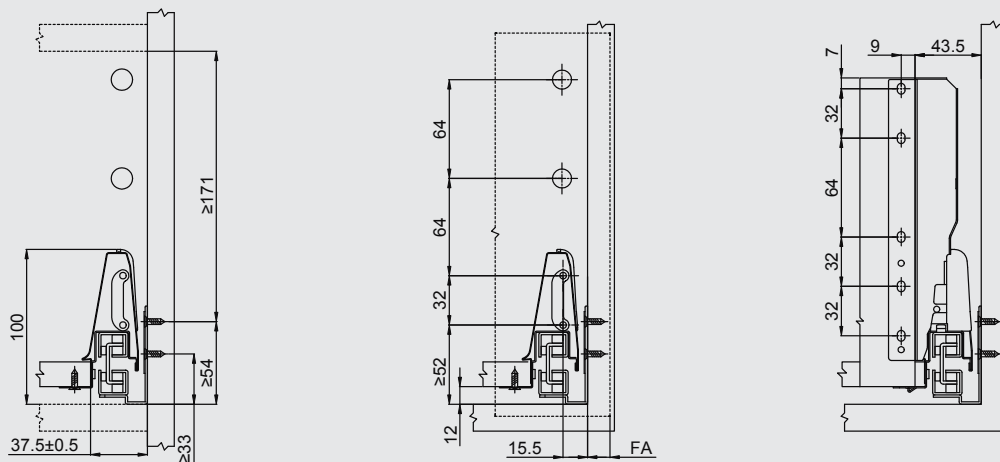
Drawer side height 84mm



Drawer side height 135mm



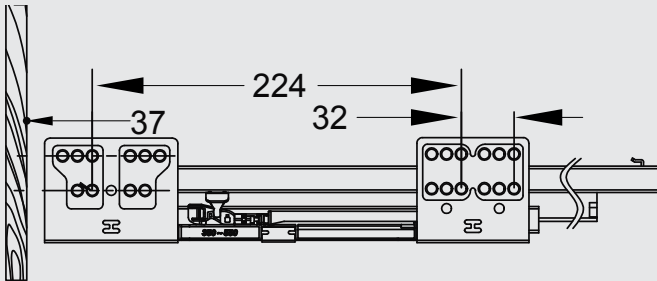
Drawer side height 199mm



ALTO
DRAWER SYSTEM



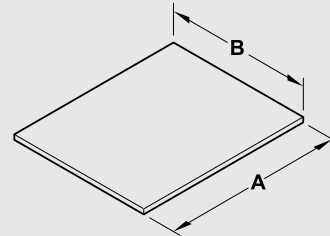
Drilling pattern for cabinet



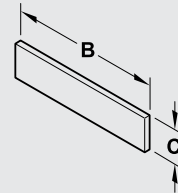
Drawer and pull out: 3rd screw hole
Internal drawer and pull out: 2nd screw hole

Cutting dimensions for panels

Base panel



Rear panel

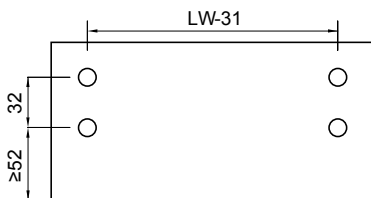


A = nominal length - 24mm
B = internal cabinet width - 75mm (Base panel)
= internal cabinet width - 87mm (Rear panel)
C = see table

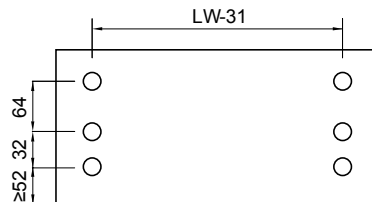
Drawer height (mm)	Rear panel height (mm) C
84	84
135	135
199	199

Drilling pattern for drawer fronts

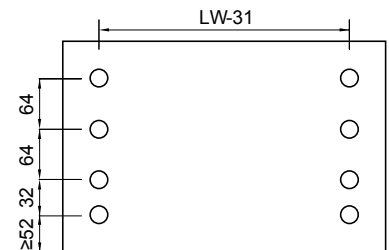
Drawer side height 84mm



Drawer side height 135mm



Drawer side height 199mm




ALTO DRAWER SYSTEM

5
YEARS




- > Material: Steel
- > Finish: Drawer sides: Powder coated, cabinet rail: Zinc galvanized
- > Load bearing capacity: 30kg
- > Full extension with soft and self closing mechanism integrated in cabinet rail
- > Adjustment: Front: 2 dimensional, also tilt for drawer front adjustment with railing system, side adjustment $\pm 1\text{mm}$, height adjustment $\pm 2\text{mm}$



ALTO drawer set H84mm				
Colour Finish	Length	Cat. No.		Price* (MYR)
Metallic grey	500mm	552.75.005		126.00



Set includes 1 pair full extension drawer slides, 1 pair H84 drawer sides, 2 pieces screw fixing front bracket, 2 pieces back bracket and 2 pieces cover cap
Packing: 1 set



ALTO drawer set H135mm				
Colour Finish	Length	Cat. No.		Price* (MYR)
Metallic grey	500mm	552.77.085		145.00


Set includes 1 pair full extension drawer slides, 1 pair H84 drawer sides, 2 pieces screw fixing front bracket, 2 pieces back bracket and 2 pieces cover cap
Packing: 1 set



ALTO drawer set H199mm				
Colour Finish	Length	Cat. No.		Price* (MYR)
Metallic grey	500mm	552.79.085		157.00
Optional: Mid rectangular railing set				
Metallic grey	500mm	552.72.545		16.00

Set includes 1 pair full extension drawer slides, 1 pair H84 drawer sides, 2 pieces screw fixing front bracket, 2 pieces back bracket and 2 pieces cover cap
Packing: 1 set



ALTO Inner drawer set H84mm				
Colour Finish	Length	Cat. No.		Price* (MYR)
Metallic grey	500mm	552.03.085		190.00

Set includes 1 pair full extension drawer slides, 1 pair H84 drawer sides, 2 pieces screw fixing front bracket, 2 pieces back bracket, 1 piece front panel, 2 pieces cover cap and 2 pieces cover cap
Packing: 1 set

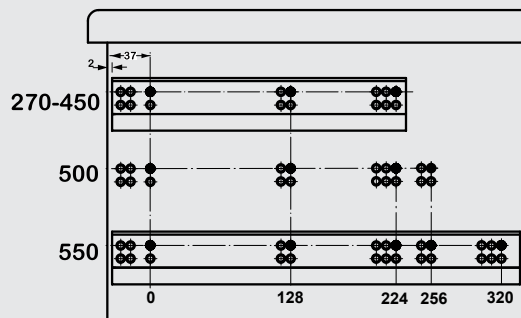
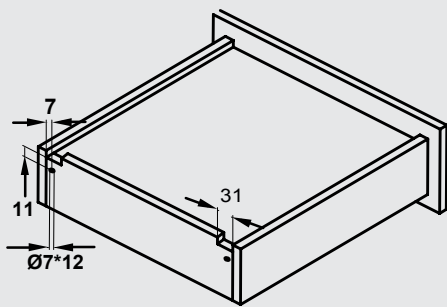


HAFELE CONCEALED RUNNER

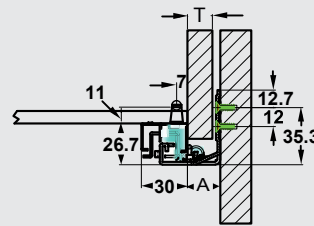
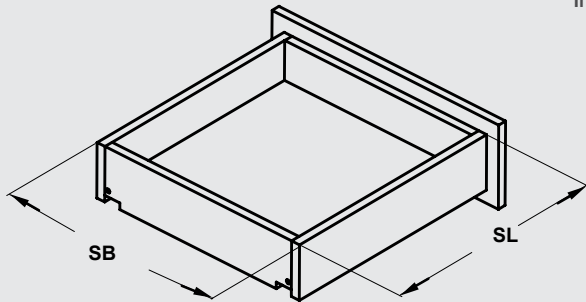


- > Material: Steel
- > Finish: Pre-galvanized
- > Adjustment facility: max. height adjustment +3mm at snap-in coupling
- > Dim: max. drawer width SB = internal cabinet width - 41mm + 2 x drawer side thickness
- > Tolerance specification: Width +1mm, -0.5mm, depth 2mm
- > Installation: At drawer, base mounted

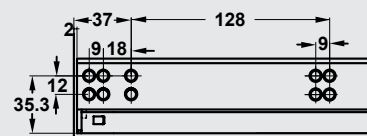
Drilling Pattern



Installation



T	A
16	21
19	25



Load	Length	Cat. No.	Price* (MYR)
30kg	300mm	433.10.462	54.00
	350mm	433.10.463	54.00
	400mm	433.10.464	55.00
	450mm	433.10.465	56.00
	500mm	433.10.466	60.00
	550mm	433.10.467	78.00

Set includes 1 pair runner and 1 pair handle clip
Packing: 1 pair or 10 pairs

Stock Item

Freight Item



BALL BEARING RUNNER

Our ball bearing runners reduce friction between moving parts to ensure smooth functionality

HAFELE

SOFT CLOSE BALL BEARING RUNNER



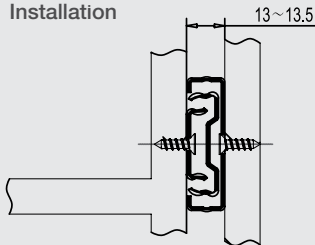
- > Material: Steel
- > Finish: Black galvanized
- > Guided by: 2 ball cages
- > Fitting to side panel: Screwing into 32mm series drilled holes
- > Fitting to drawer: Screw fitting, lateral installation
- > Height: 45mm
- > Installation: Side mounted



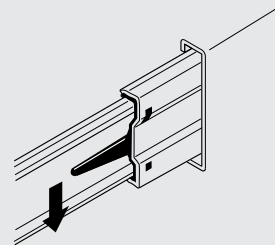
Load	Length	Cat. No.		Price* (MYR)
30kg	300mm	494.02.191		31.00
	350mm	494.02.192		32.00
	400mm	494.02.193		35.00
	450mm	494.02.194		38.00
	500mm	494.02.195		41.00
	550mm	494.02.196		46.00
	600mm	494.02.197		48.00

Set includes 1 pair runner, 12 pieces wooden screws and 6 pieces Euro screws and installation manual
 Packing: 1 pair or 12pairs

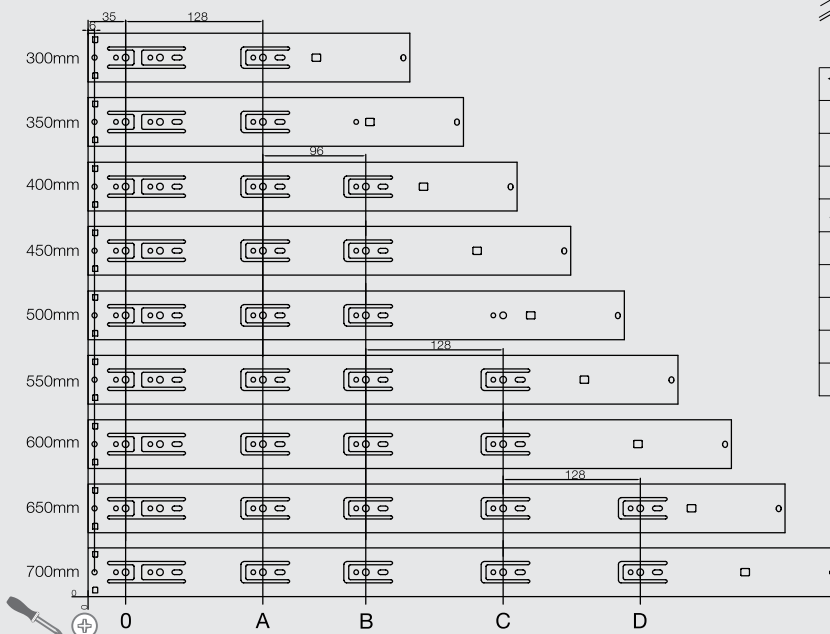
Installation



Disengaging



Drilling pattern



mm	A	B	C	D
300mm	128			
350mm	128			
400mm	128	224		
450mm	128	224		
500mm	128	224	352	
550mm	128	224	352	
600mm	128	224	352	
650mm	128	224	352	480
700mm	128	224	352	480

HAFELE BALL BEARING RUNNER



- > Material: Steel
- > Finish: Black galvanized
- > Guided by: 2 ball cages
- > Fitting to side panel: Screwing into 32mm series drilled holes
- > Fitting to drawer: Screw fitting, lateral installation
- > Height: 45mm
- > Installation: Side mounted

Drilling Pattern

Installation

Disengaging

Disengaging by operating the release lever in the drawer rail



Load	Length	Extension Length	Cat. No.	Price* (MYR)
30kg	250mm	275mm	422.87.326	12.00
	300mm	325mm	422.87.331	14.00
	350mm	375mm	422.87.336	16.00
	400mm	425mm	422.87.341	18.00
	450mm	475mm	422.87.346	20.00
	500mm	525mm	422.87.351	22.00
	550mm	575mm	422.87.356	24.00
	600mm	625mm	422.87.361	30.00
	650mm	675mm	422.87.366	33.00
	700mm	725mm	422.87.371	35.00

Set includes 1 pair runner.
Packing: 1 pair or 10pairs





Drawer organisation system provide pre-set compartments for organising and housing cutlery or storing larger items such as plates, dishes and pans.

DRAWER ORGANISATION SYSTEM



ATTENTION TO DETAIL , OUTSTANDINGLY VERSATILE

Minimalist – elegant with a hint of luxury. Organization meets lifestyle. No mess and confusion; instead elements are positioned neatly side by side. And they're more flexible to use than ever before – with ample compartments for cutlery and also purpose-designed inserts for spices, coffee capsules and anything else you want to keep close to hand. Beautiful designs in fine wood. With all the contents perfectly organized for a clear overview and easy access.

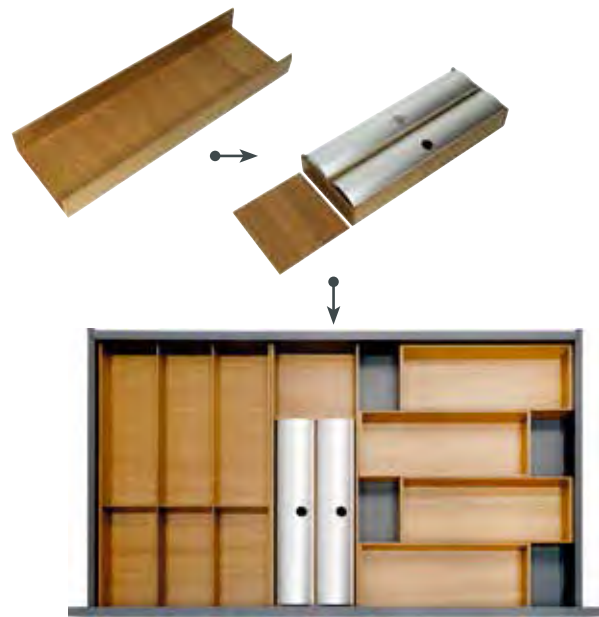
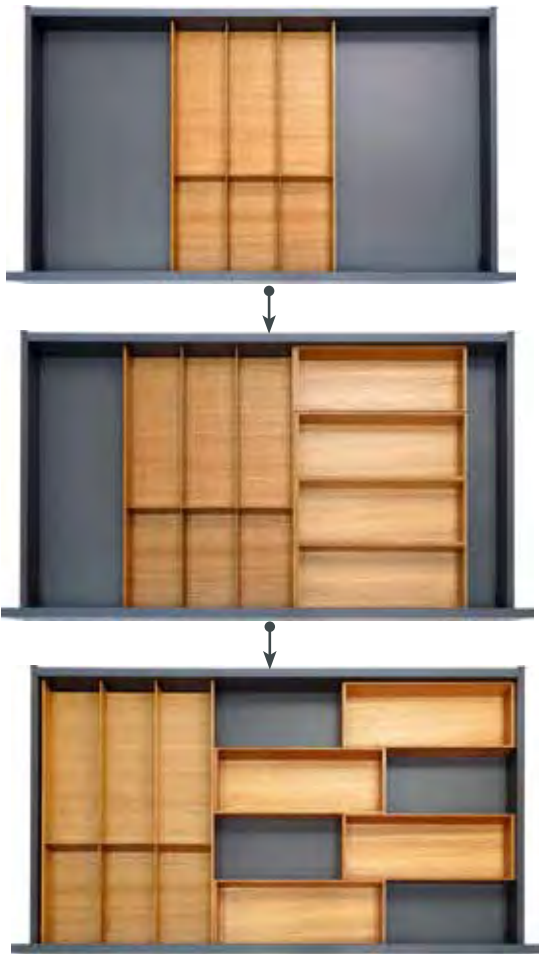


We reserve the right to alter specifications without notice.

Flexible Dividers

The advantages are obvious – the FineLine MosaiQ organizer elements can be combined and arranged to exactly suit the end-user's requirements.

They can be rearranged in minutes to accommodate changed circumstances. And it's absolutely easy to add special extra components such as foil roll holders, spice jar inserts and knife blocks.



For Drawer width 450mm



2 x (B)+(C)+(E) OR



4 x (H) OR



(A)

For Drawer width 600mm



2 x (A) OR



4 x (H)+(F)

For Drawer width 900mm



(A) + 4 x (H) OR



OR

2 x (G) + 4 x (H) OR



OR

(A) + 2 x (G) + (E)

For Drawer width 1200mm



3 x (B)+(F)+(D)+(A)+(E) OR



3 x (H)+(A)+(B)+(F)

* Inserts are suitable for common drawers and pull-outs with a depth of 500-650mm



- > High-quality trays made from real wood
- > The combination of trays and non-slip mat allows a configuration which is independent of the width and drawer side runner system
- > Depth adjusting strips for nominal length up to 650 mm allow any drawer side runner system
- > 110 mm high inserts for pull out for door front fixing
- > Area of application: Compartment system for drawers, for width optional use in all common drawer side runner systems and wooden drawers
- > Material: Boxes/elements: Real wood, base panel: MDF 4 mm veneered with oak/ash black
- > Finish: Oak or ash black, stained, with PUR lacquer lacquered
- > For nominal length: From 500 mm


Ⓐ


Cutlery Insert			
Colour finish	Dimensions (W x D x H)mm	Cat. No.	Price* (MYR)
Ash, black	300 x 472 x 43	550.31.300	389.00
Oak, natural		550.31.400	410.00

Packing: 1 Piece

Ⓑ


Multifunction insert			
Colour finish	Dimensions (W x D x H)mm	Cat. No.	Price* (MYR)
Ash, black	152 x 472 x 43	550.31.310	202.00
Oak, natural		550.31.410	212.00

Packing: 1 Piece

Ⓒ


Cross insert			
Colour finish	Dimensions (W x D x H)mm	Cat. No.	Price* (MYR)
Ash, black	137 x 472 x 37.5	550.31.350	151.00
Oak, natural		550.31.450	151.00

Packing: 1 Piece

Ⓐ



Spice insert, slanted			
Colour finish	Dimensions (W x D x H)mm	Cat. No.	Price* (MYR)
Ash, black	137 x 472 x 26	556.04.300	168.00
Oak, natural		556.04.400	168.00

Packing: 1 Piece

Ⓑ



Knife block			
Colour finish	Dimensions (W x D x H)mm	Cat. No.	Price* (MYR)
Ash, black	137.5 x 472 x 26	550.31.340	347.00
Oak, natural		550.31.440	408.00

Packing: 1 Piece

Ⓒ



Foil roll holder			
Colour finish	Dimensions (W x D x H)mm	Cat. No.	Price* (MYR)
Ash, black	137.5 x 472 x 37.5	550.31.330	285.00
Oak, natural		550.31.430	316.00

Packing: 1 Piece

Ⓓ



Drawer box			
Colour finish	Dimensions (W x D x H)mm	Cat. No.	Price* (MYR)
Ash, black	236 x 236 x 43	550.31.360	199.00
Oak, natural		550.31.460	213.00

Packing: 1 Piece



Cross insert for drawer box			
Colour finish	Dimensions (W x D x H)mm	Cat. No.	Price* (MYR)
Graphite black	221 x 221 x 43	556.08.330	186.00

Packing: 1 Piece

Ⓕ



Flat tray			
Colour finish	Dimensions (W x D x H)mm	Cat. No.	Price* (MYR)
Ash, black	117.5 x 300 x 43	550.31.420	155.00
Oak, natural		550.31.320	147.00

Packing: 1 Piece



ⓘ



Wooden box with grip holes

Colour finish	Dimensions (W x D x H)mm	Cat. No.		Price* (MYR)
Ash, black	236 x 472 x 110	550.31.362	✈	553.00
Oak, natural		550.31.462	✈	653.00

Packing: 1 Piece

Ⓚ



Wooden box, square, with grip holes

Colour finish	Dimensions (W x D x H)mm	Cat. No.		Price* (MYR)
Ash, black	236 x 236 x 110	550.31.361	✈	354.00
Oak, natural		550.31.461	✈	427.00

Packing: 1 Piece



Metal divider with grip holes

Colour finish	Dimensions (W x D x H)mm	Cat. No.		Price* (MYR)
Graphite black	225 x 99 x 102	556.08.320	✈	129.00

Packing: 1 Piece



Plate rack

Colour finish	Dimensions (W x D x H)mm	Cat. No.		Price* (MYR)
Ash, black	340 x 180 x 181	556.04.330	✈	347.00
Oak, natural		556.04.430	✈	347.00

Packing: 1 Piece

FLEX DRAWER INSERT SYSTEM UNIVERSAL



FLEX basic frame				
Colour finish	Dimensions (W x D x H)mm	Cat. No.		Price* (MYR)
Silver aluminium	278 x 473 x 60	550.33.003		197.00
Dark grey		550.33.503		197.00

Packing: 1 Piece



FLEX basic foil				
Colour finish	Dimensions (W x D x H)mm	Cat. No.		Price* (MYR)
Silver aluminium	200 x 473 x 60	550.33.012		321.00
Dark grey		550.33.513		321.00

Packing: 1 Piece



FLEX basic knife				
Colour finish	Dimensions (W x D x H)mm	Cat. No.		Price* (MYR)
Silver aluminium	200 x 473 x 60	550.33.022		248.00
Dark grey		550.33.523		248.00

Packing: 1 Piece



FLEX basic spice				
Colour finish	Dimensions (W x D x H)mm	Cat. No.		Price* (MYR)
Silver aluminium	200 x 473 x 60	550.33.032		215.00
Dark grey		550.33.533		215.00

Packing: 1 Piece

Stock Item Freight Item

CUTLERY INSERT UNIVERSAL



Height



Finish

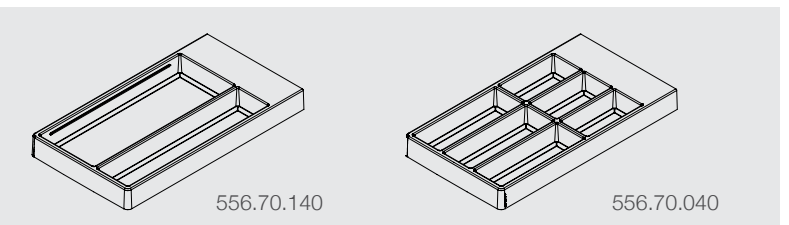
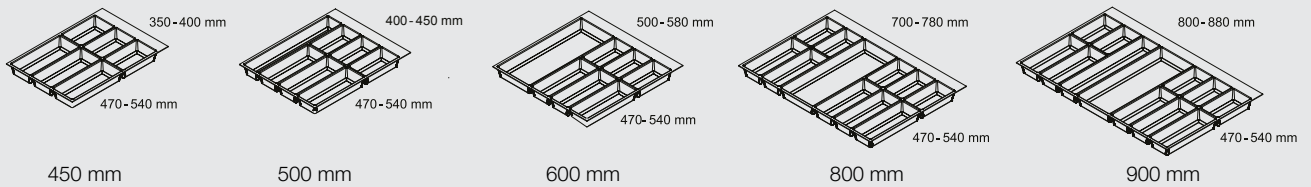


CLASSICO cutlery insert

Colour finish	For drawer width mm	Cat. No.	Price* (MYR)
Slate grey grained	450	556.52.243	55.00
	500	556.52.244	59.00
	600	556.52.246	68.00
	800	556.52.248	105.00
	900	556.52.249	121.00

Packing: 1 Piece

Configuration



SEPARADO cutlery insert

Colour finish	Width (mm)	For Nominal length (mm)	Cat. No.	Price* (MYR)
Stainless steel effect	300	460-540	556.70.040	100.00
			556.70.140	100.00

Packing: 1 Piece

We reserve the right to alter specifications without notice.

Stock Item Freight Item

NON SLIP MAT



- > Extremely good slip resistance as well as noise-absorbing properties.
- > Prevents objects from sliding about when drawers are opened and closed.
- > The material comprising high-grade polystyrene rubber complies with the quality standards of the kitchen industry (heat-resistant and food-safe) as well as the environmental aspect of trouble-free disposal.
- > Material: Plastic
- > Material thickness: 1.2 mm



SOLID drawer mat				
Finish	Dimension (L x W)mm	Cat. No.		Price* (MYR)
Solid silver grey	1130 x 500	547.92.413		68.00

Packing: 1 Piece



FIBRE drawer mat				
Finish	Dimension (L x W)mm	Cat. No.		Price* (MYR)
Umbr grey	1130 x 500	547.92.523		80.00

Packing: 1 Piece



CANVAS drawer mat (Roll)				
Finish	Dimension (L x W)mm	Cat. No.		Price* (MYR)
Umbr grey	20,000 x 500	547.90.581		2,130.00

Packing: 1 Piece

1 Roll (length 20 m) is sufficient for approx. 39 insert mats for drawer width 600mm (510 x 500 mm)



We reserve the right to alter specifications without notice.



BASE UNITS OPTIMIZING STORAGE UNDER THE WORKTOP

To make intelligent use of the whole depth of an undercounter unit in the kitchen, you need a fitting that moves all the stored items out in front of the cabinet to give you a clear view and easy access.

A kitchen scene with white cabinetry. On the left, a sink is visible with a green towel rack and a white dish rack containing a green sponge and a wooden brush. In the foreground on the right, a yellow shopping bag is filled with groceries, including a round object and a pink package. A red text box is overlaid on the right side of the image.

KITCHEN STORAGE AND ACCESSORY



NO. 15
3DX



- > Make practical use of even narrow gaps
- > A slim pull-out: minimum width (from 112 mm) – maximum flexibility
- > ClickFixx: clip-on connectors
- > Toolless 3D front adjustment: perfect gap alignment in minutes



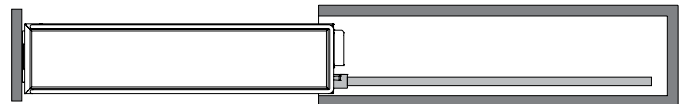
ClickFixx



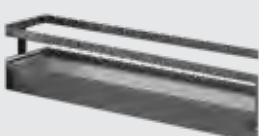



3D AdjustFixx



Included 4 pieces dividers



Basket type	Internal cabinet width/ door width (mm)	Internal cabinet height (mm)	Colour finish	Cat. No.	Price* (MYR)
	Min. 112/150	Min. 540	Chrome	545.61.027 	969.00
	Min. 112/150	Min. 540	Anthracite	549.24.621 	1,018.00

Set components complete with base unit front extension set and 4 pieces dividers
Packing: 1 set

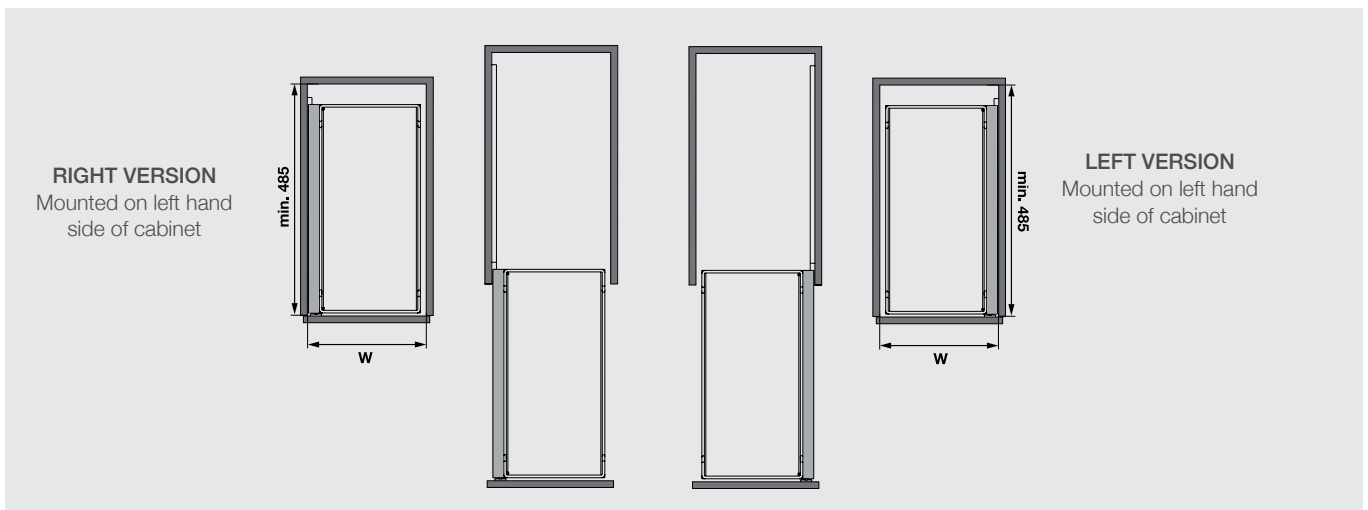




- > Full extension for base units – entire contents slide out in front of the cabinet
- > Optimal overview, very good access
- > Space-saving design
- > Uses the whole width of the unit
- > Balancing screw for optimal action
- > 3D adjustment in real time – perfect gap alignment in minute



Scan for installation guide



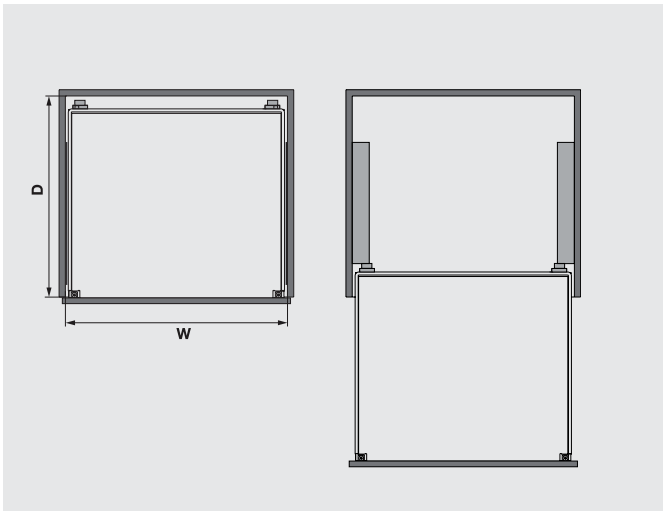
Basket type	Internal cabinet width/ door width (mm)	Internal cabinet height (mm)	Number of tray	Colour finish	Version	Cat. No.	Price* (MYR)
	Min. 262 / Door 300	Min. 590	2	Chrome / Ice white	Right	545.53.762	1,319.00
					Left	545.53.763	1,319.00
	Min. 262 / Door 300	Min. 590	2	Anthracite	Right	545.53.472	1,360.00
					Left	545.53.473	1,360.00

Set components complete with 2 full extensions runner, frame, 2 front brackets and damping system SoftStop.
Packing: 1 set

We reserve the right to alter specifications without notice.



**FRONT AND INTERNAL
PULL OUT**



- > No break in the smooth run of fronts
- > Lower pull-out opens automatically as the door opens: Just one pull to reach essential items



SOFTSTOPP ARENAplus
anti-slip finish

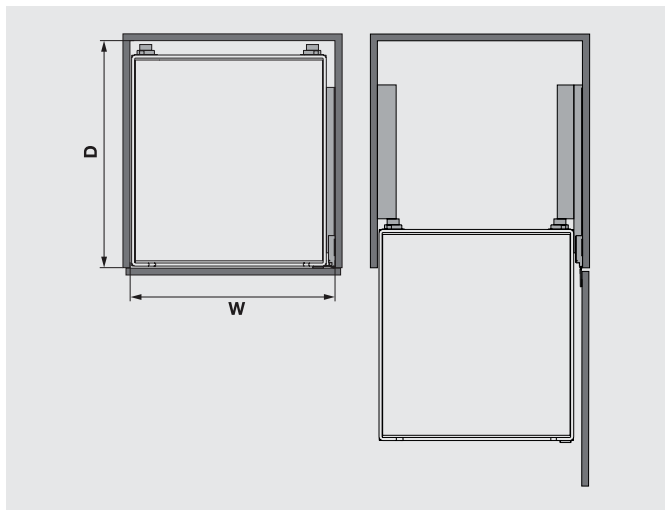
Max. 30 kg per basket



Basket type	Inside cabinet width/ door width (mm)	Inside cabinet height (mm)	Number of tray	Colour finish	Cat. No.	Price* (MYR)
	Min. 412 - 418 / Door 450	Min. 500	2	Chrome / Ice white	540.24.294 x 1	2,298.00
					540.25.294 x 1	
	Min. 462 - 468 / Door 500	Min. 500	2	Chrome / Ice white	540.24.295 x 1	2,420.00
					540.25.295 x 1	
	Min 562 - 568 / Door 600	Min. 500	2	Chrome / Ice white	540.24.297 x 1	2,602.00
					540.25.297 x 1	

Set components complete with runner incl. damper, front panel connector and tray
Packing: 1 set

Stock Item Freight Item



- > No break in the smooth run of fronts
- > Good overview of contents through 3D access: Pull-outs move separately



Basket type	Internal cabinet width/ door width (mm)	Internal cabinet height (mm)	Number of tray	Colour finish	Cat. No.	Price* (MYR)
	Min. 412 - 418 / Door 450	Min. 500	2	Chrome / Ice white	540.27.294 x 2	2,246.00
	Min. 462 - 468 / Door 500	Min. 500	2	Chrome / Ice white	540.27.295 x 2	2,514.00
	Min 562 - 568 / Door 600	Min. 500	2	Chrome / Ice white	540.27.297 x 2	2,484.00

Set components complete with runner incl. damper, spacer and tray.basket
Packing: 1 set

We reserve the right to alter specifications without notice.



- > A perfectly customised storage unit that stores exactly what you want - in the tightest possible space - with everything instantly accessible
- > All critical components has been tested for food safety and are designed for very easy cleaning. All plastic elements are dishwasher safe



Cooking agent pull out					
Inside cabinet width / Door width (mm)	Inside cabinet width / Door width (mm)	Inside cabinet height (mm)	Cat. No.		Price* (MYR)
Min. 262 / Door 300	Min. 510	Min. 625	545.13.961		919.00

Set components complete with knife block, clip-on basket, chopstick holder, implement holder, bottle basket, plastic bins and full extension with integrated soft closing mechanism
Packing: 1 piece



Cooking agent pull out for hinged door					
Inside cabinet width / Door width (mm)	Inside cabinet width / Door width (mm)	Inside cabinet height (mm)	Cat. No.		Price* (MYR)
Min. 368 / Door 400	Min. 510	Min. 625	545.13.971		919.00

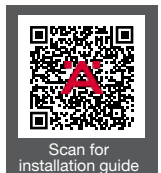
Set components complete with knife block, clip-on basket, chopstick holder, implement holder, bottle basket, plastic bins and full extension with integrated soft closing mechanism
Packing: 1 piece

Note
Please order hinge with opening angle $\geq 150^\circ$ hinge separately

Stock Item Freight Item



- > Suitable for sink unit cabinet
- > Pull the whole caddy out with one finger. Close it with a gentle push
- > A perfectly customised storage unit to keep all cleaning materials neat and tidy and that access is quick and easy
- > Container with ergonomic easy-grip handle
- > All the plastic containers can be lifted out and washed by hand or in dishwasher
- > The caddy will always be clean and hygienic



Inside cabinet width / Door width (mm)	Inside cabinet width	Inside cabinet height (mm)	Cat. No.	Price* (MYR)
Min. 312 / Door 350	Min. 510	Min. 625	545.48.411	660.00

Packing: 1 piece

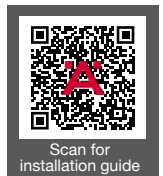


Stock Item

Freight Item



- > Full-extension runners move gas bottles or other contents out in front of the cabinet
- > No awkward bending or stretching to lift and lower the load
- > Put-out closes softly with damped self closing (SoftStoppPlus)
- > Bottom mounted for simple assembly and easy retrofitting



Scan for installation guide



Inside cabinet width / Door width (mm)	Inside cabinet width / Door width (mm)	Colour finish	Cat. No.	Price* (MYR)
Min. 362 / Door 400	Min. 485	Silver	505.72.990	 462.00

Set components complete with runner incl. damper, base frame and fixing material
Packing: 1 piece



CORNER UNITS

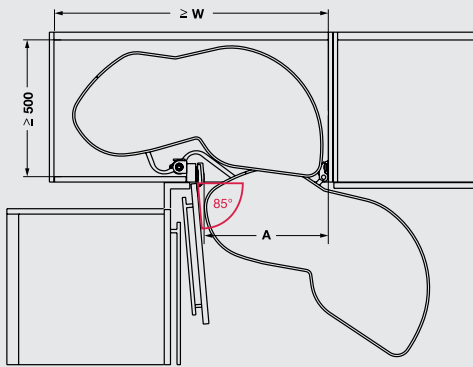
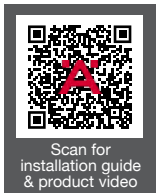
A corner unit is the ideal place to store pots and pans and other kitchen equipment.

And development engineers have come up with a number of solutions in addition to the classic carousel fitting.

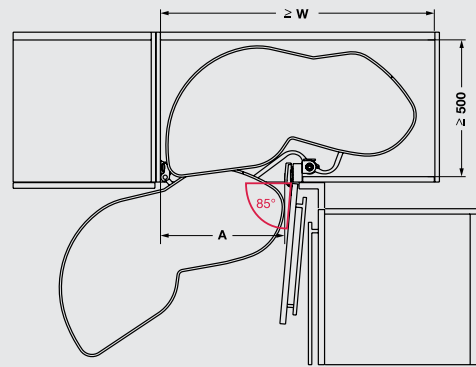




- > Swinging curves: Fluid, emotional, harmonious action
- > Kinematics with 4 pivot points : minimal force required for silky smooth movements
- > All stored contents swing out in front of the unit
- > Easy height changes: The unit adapts to the content
- > Trays move independently
- > Fully functional at 85° door opening angle: Flexible planning option; No risk of handles colliding



Right Swivel



Left Swivel

Basket type	Internal cabinet width/ door width (mm)	Internal cabinet height (mm)	Number of tray	Colour finish	Version	Cat. No.	Price* (MYR)
	Min. 910 / Door 500 A= 461 - 468mm	600-750	2	Chrome / Ice white	Right swivel	541.32.622	2,839.00
		Fix 1,250	4		Left swivel	541.32.634	5,572.00
	600-750 Fix 1,250	2	Right swivel		541.32.623	2,839.00	
		4	Left swivel		541.32.635	5,572.00	
	Min. 960 / Door 600 A= 561 - 568mm	600-750	2	Chrome / Ice white	Right swivel	541.32.624	3,546.00
		Fix 1,250	4		Left swivel	541.32.636	6,851.00
	600-750 Fix 1,250	2	Right swivel		541.32.625	3,546.00	
		4	Left swivel		541.32.637	6,851.00	
	Min. 910 / Door 500 A= 461 - 468mm	600-750 Fix 1,250	2	Anthracite	Right swivel	541.31.872	3,164.00
			4		Left swivel	541.31.880	6,434.00
		600-750 Fix 1,250	2		Right swivel	541.31.873	3,164.00
	4		Left swivel		541.31.881	6,434.00	
	Min. 960 / Door 600 A= 561 - 568mm	600-750 Fix 1,250	2		Right swivel	541.31.878	3,775.00
			4		Left swivel	541.31.882	7,510.00
600-750 Fix 1,250		2	Right swivel	541.31.879	3,775.00		
	4	Left swivel	541.31.883	7,510.00			

Set components complete with mounting and drilling template, including self-closing damping system
Packing: 1 set





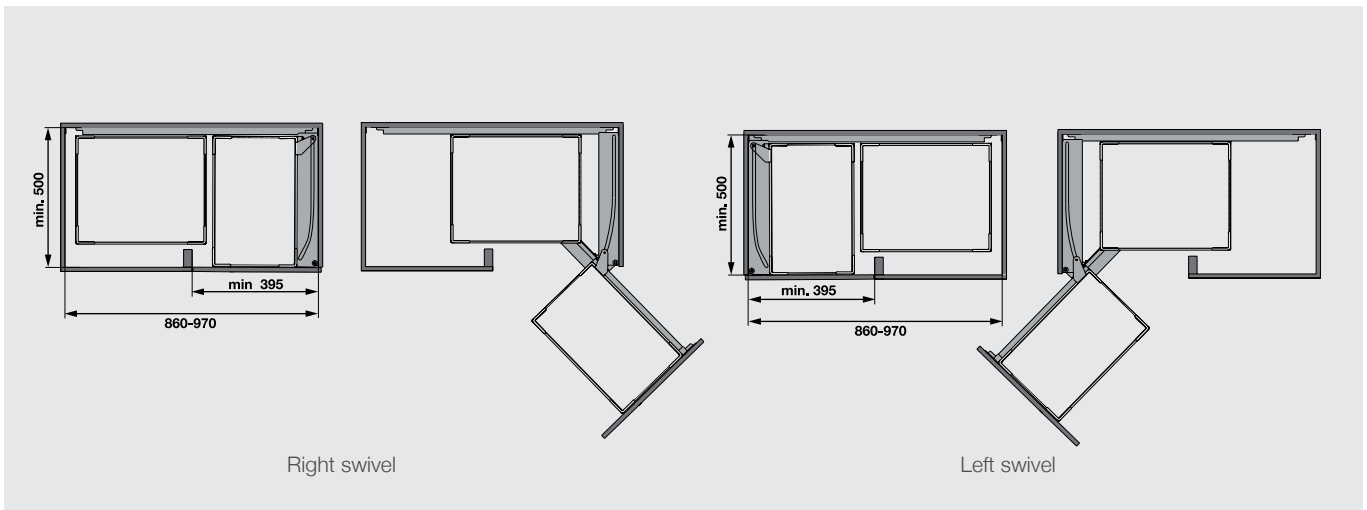
- > Amazing technology: The opening movement brings the front section of the unit out in front of the unit, while the back section moves forward for optimal access and ergonomics
- > Rectangular trays for rectangular cabinet: very good use of space
- > Clickfixx - toolless assembly and simple adjustment



Front shelf



Rear shelf



Basket type	Inside cabinet width/ door width (mm)	Inside cabinet height (mm)	Number of tray	Colour finish	Version	Cat. No.	Price* (MYR)
	395 / 450	Min . 550	2 + 2	Chrome	Right swivel	546.19.200	3,908.00
					Left swivel	546.19.201	3,908.00
	395 / 450	Min. 540	2 + 2	Anthracite	Right swivel	546.19.820	4,830.00
					Left swivel	546.19.821	4,830.00

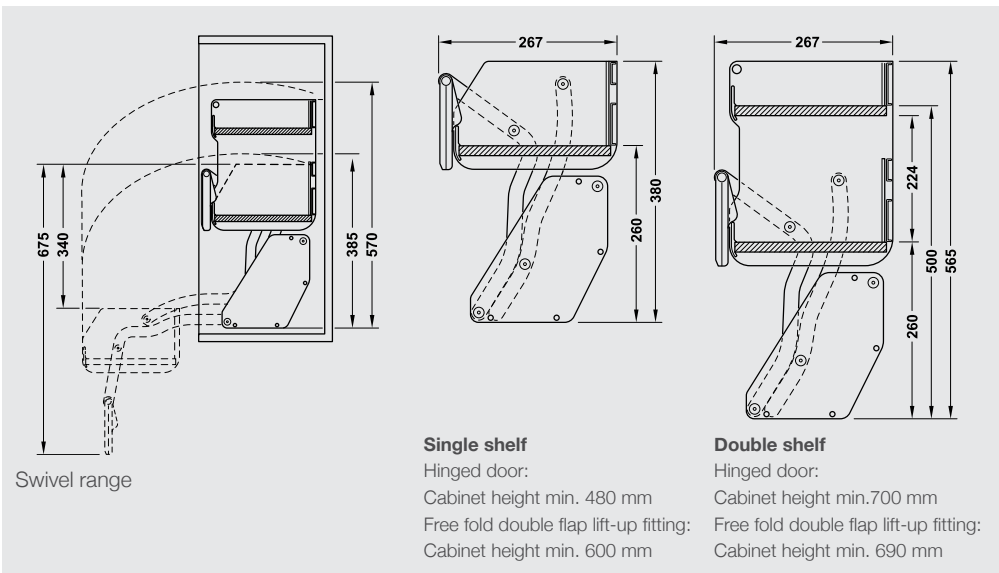
Set components complete with pull-out and trays/ baskets, including. damping system SoftStopp and mounting template.

Packing: 1 set

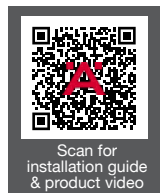


WALL UNITS

On the way up. In today's kitchens, high cabinets are planned either as a block or as standalone units. Either way, the result is an elegant unit, and quite often that's where you'll find the technology focus and also the central food storage in the kitchen.



- > Suitable for hinged door and lift-up fittings
- > Cabinet items are easily reachable
- > Pull shelf all the way down and it will hold in place for loading, even when empty



Colour finish	Inside cabinet width/door width (mm)	Internal cabinet height (mm)	Number of tray	Version	Cat. No.	Price* (MYR)
	Min.562 - 568 / Door 600	Min.480	Min. 270	Single tray	504.68.913	1,414.00
	Min.862 - 868 / Door 900				504.68.915	1,532.00
	Min.562 - 568 / Door 600	Min.700		Double tray	504.68.923	1,770.00
	Min.562 - 568 / Door 600	Min.480		Single tray	504.68.313	1,599.00
	Min.862 - 868 / Door 900				504.68.315	1,678.00
	Min.562 - 568 / Door 600	Min.700		Double tray	504.68.323	2,036.00

Set components including 8 x wood screws and drilling template
 Packing: 1 set





We reserve the right to alter specifications without notice.





- > Emotional opening experience
- > eTouch - tap lightly underneath the cabinet to set the slats in smooth motion
- > Concealed technology
- > Easy installation
- > Incl. glass shelf



Colour finish	Dimension (W x D x H) mm	Colour finish	Cat. No.		Price* (MYR)
	900 x 373 x 780	Black glass White carcass	561.56.318		10,904.00
	900 x 373 x 780	White glass White carcass	561.56.718		10,904.00

Set complete with 1 white carcass incl. motor (fully assembled), 6 glass slats, 2 clear glass shelves
 Packing: 1 set

 Stock Item  Freight Item



TALL UNITS

Wall units play a special role in any kitchen, both because of their visual impact and from a practical point of view. They make tremendous demands in terms of functionality and user-friendliness on the integrated lifter and parallel lift systems.



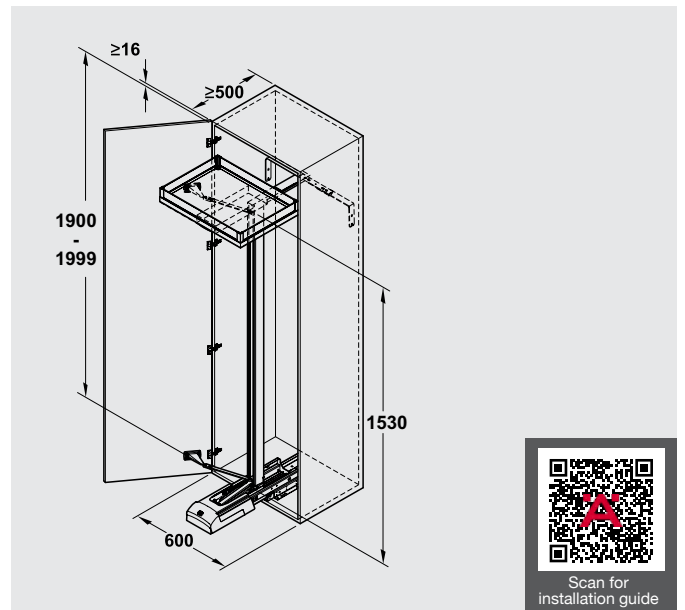
interior
innovation
award
2014
Winner

German
Design Award

interium
award

reddot award 2014
winner

- > Larder unit full-extension pull-out incl. door follower
- > Opening the door pulls the fitting automatically out of the unit
- > With the door open, users have instant access to all contents from 3 sides
- > Only one gentle pull to move all the contents from 3 sides
- > Very easy action with damped



Inside cabinet height Dim. A (mm)	For cabinet width (mm)	Number of trays	Version	Cat. No.	Price* (MYR)
1900 - 1999	600	5	Right mounted	549.72.106	✖ 10,807.00
			Left mounted	549.72.306	✖ 10,807.00

Set components complete with frame, extension runner with Soft StoppPro, top with integrated runner and accessories

Packing: 1 set

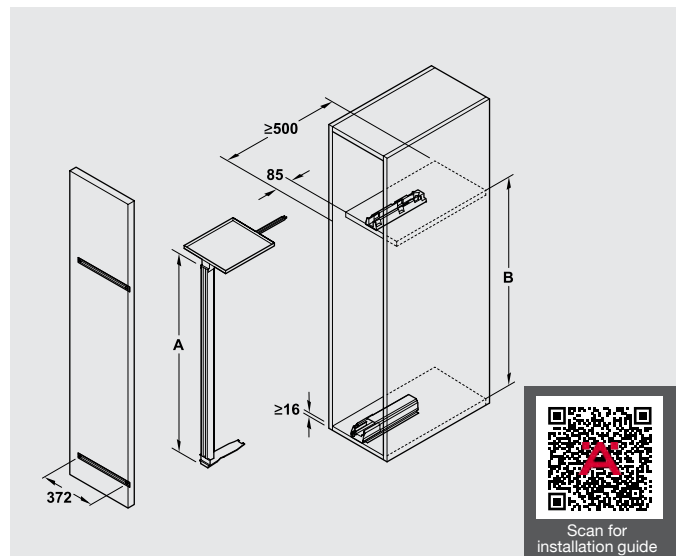
Note*Please order hinge with opening angle $\geq 150^\circ$ soft close hinge separately.

🏠 Stock Item

✖ Freight Item



- > Single-tube support frame and "floating" trays
- > Frame concealed behind the front panel
- > Absolutely smooth action
- > Damped closing and opening (world first) : Noiseless opening and closing
- > Change tray height steplessly and easily
- > Transparent galleries: Full overview of everything inside
- > Side gallery can be removed: Barrierless retrieval, so optimal use of space - even on the top tray



Inside cabinet height Dim. A (mm)	For cabinet width (mm)	Number of trays	Dim. B (mm)	Cat. No.	Price* (MYR)
1,900 - 2,000	450	5	1567	545.81.084	10,147.00

Set components complete with frame, extension runner with Soft StoppPro, top with integrated runner and accessories
 Packing: 1 set

We reserve the right to alter specifications without notice.



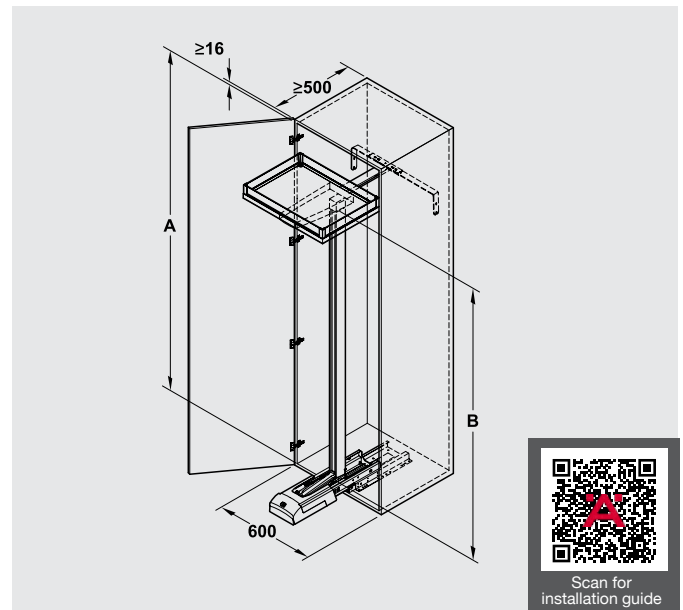
interior
innovation
award
2014
Winner





German
Design Award

Design
awards



- > Storage solution for different front options and applications
- > Can be combined with sliding doors, etc
- > Access and transparency from 3 sides



Basket type	Inside cabinet height Dim. A (mm)	For cabinet width (mm)	Number of trays	Colour finish	Dim. B (mm)	Cat. No.		Price* (MYR)
	1,900 - 2,000	600	5	Chrome	1530	549.62.316		6,403.00
	1,900 - 2,000	600	5	Anthracite	1530	549.63.406		7,198.00

Set components complete with frame, extension runner with Soft StoppPro, top with integrated runner and accessories

Packing: 1 set

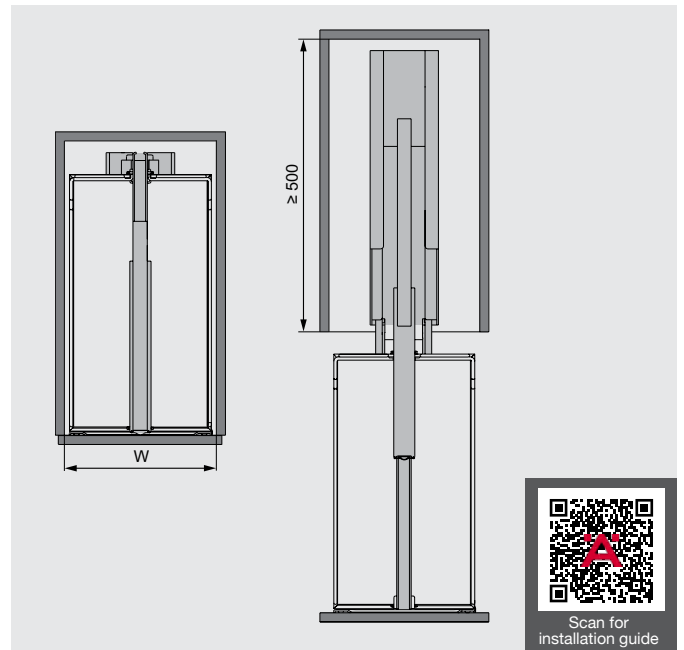
Note*Please order hinge with opening angle $\geq 150^\circ$ soft close hinge separately.

 Stock Item

 Freight Item



- > ClickFixx – toolless assembly and simple adjustment
- > Up to 70% faster assembly!
- > Patented Synchronomatic system
- > Reliable function – guaranteed!
- > Transparent tray sides
- > Fast and easy access to contents – clear visibility from top to bottom



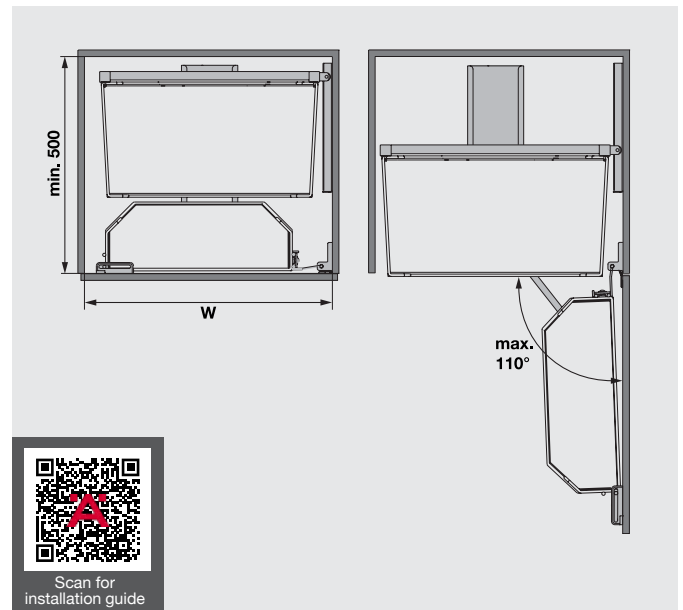
Basket Type	Inside cabinet width / Door width (mm)	Inside cabinet height (mm)	Number of trays	Colour finish	Cat. No.	Price* (MYR)
	Min. 260 / Door 300	1900 - 2300	6	Chrome / Ice white	546.59.531	4,030.00
	Min. 360 / Door 400				546.59.533	4,221.00

Set components complete with runner, frame, front strips, front brackets and trays/ baskets, including damping system SoftStopp Plus
Packing: 1 set

We reserve the right to alter specifications without notice.



- > Split storage – front + rear shelf units – for a better overview and more transparency
- > Emotional movement sequences: The front (door) shelf swings open with the door; The rear shelf is automatically drawn forward
- > Same frame for left and right installation – simplifies planning – independent of cabinet height
- > Mature, reliable runner system



450mm cabinet width
Door rack Put out rack



600mm cabinet width
Door rack Put out rack

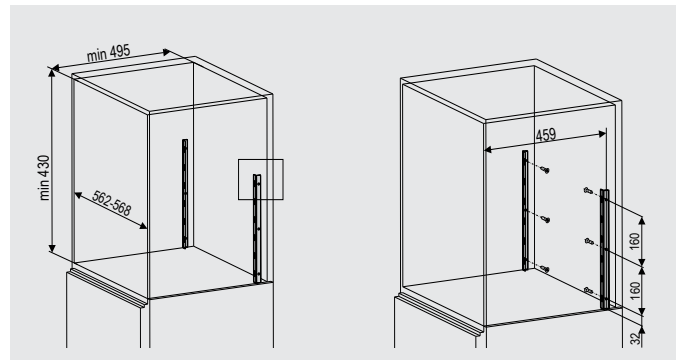


Basket type	Inside cabinet width/ door width (mm)	Inside cabinet height (mm)	Number of tray	Colour finish	Cat. No.	Price* (MYR)
	562 / 600	≥ 800	3	Chrome / Ice white	545.94.550	4,175.00
	562 / 600	≥ 1100	4		545.94.551	4,689.00
	412 / 450	≥ 1700	6		545.94.612	5,096.00
	562 / 600		6		545.94.552	5,809.00
	562 / 600	≥ 1100	4	Anthracite	545.93.434	5,000.00
	412 / 450	≥ 1700	6		545.93.431	5,433.00
	562 / 600		6		545.93.435	6,206.00

Set components complete with runner, pull-out frame, front brackets, trays/ baskets, door shelf, including damping system SoftStopp
Packing: 1 set



- > Easy access to all the contents by turning the trays
- > No need to clear away front items to reach items at the back
- > Excellent overview of all the contents
- > Well-organized with a perfect overview



Basket type	Inside cabinet width/ door width (mm)	Inside cabinet height (mm)	Number of tray	Colour finish	Cat. No.	Price* (MYR)
	Min. 495 / 600	Min. 430	2	Chrome / Ice white	542.14.172	2,301.00
	Min. 495 / 600	Min. 430	2	Anthracite	542.14.332	2,359.00

Set components complete with 2 trays with support arms, 2 mounting strips incl. fixing screws
Packing: 1 set

We reserve the right to alter specifications without notice.



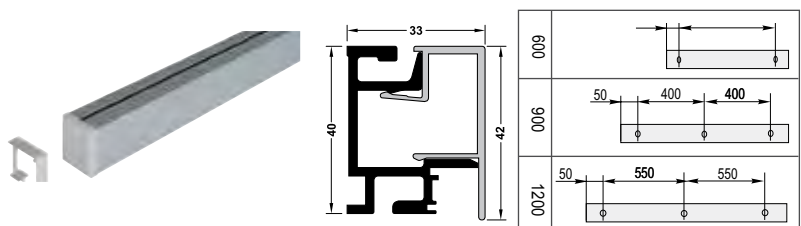
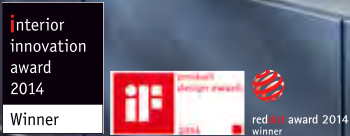
Stock Item

Freight Item



SPLASHBACK FITTINGS

Who wouldn't want to cook like an expert? A well-equipped, professionally organized kitchen is a step in the right direction. It should combine practicality with stylish design.



Wall aluminium profile			
Length (mm)	Finish	Cat. No.	Price* (MYR)
600	Stainless steel	521.00.006	320.00
900		521.00.009	426.00
1200		521.00.012	558.00

Packing: 1 piece



Universal shelf			
Dim. W x D x H mm	Finish	Cat. No.	Price* (MYR)
350 x 110 x 140	Titanium grey	521.01.520	224.00
350 x 110 x 200		521.01.521	272.00
350 x 110 x 300		521.01.522	261.00

Packing: 1 piece



Beaker pot, plastic ABS			
Dim. W x D x H mm	Finish	Cat. No.	Price* (MYR)
135 x 135 x 156	Titanium grey	521.01.750	118.00

Packing: 1 piece



Hook rail			
Dim. W x D x H mm	Finish	Cat. No.	Price* (MYR)
2 hooks - 85 x 44 x 38	Titanium grey	521.01.590	83.00
6 hooks - 250 x 44 x 38		521.01.591	106.00

Packing: 1 piece

We reserve the right to alter specifications without notice.

Stock Item Freight Item



Universal shelf with railing			
Dim. W x D x H mm	Finish	Cat. No.	Price* (MYR)
350 x 110 x 200	Titanium grey	521.01.530	272.00

Packing: 1 piece



Upper shelf			
Dim. W x D x H mm	Finish	Cat. No.	Price* (MYR)
350 x 107 x 8	Titanium grey	521.02.501	142.00

Packing: 1 piece



Magnetic knife block			
Dim. W x D x H mm	Finish	Cat. No.	Price* (MYR)
350 x 45 x 200	Titanium grey	521.01.541	736.00

Packing: 1 piece



Kitchen roll holder			
Dim. W x D x H mm	Finish	Cat. No.	Price* (MYR)
350 x 155 x 120	Titanium grey	521.01.510	224.00

Packing: 1 piece



Foil and cling film dispenser			
Dim. W x D x H mm	Finish	Cat. No.	Price* (MYR)
350 x 110 x 300	Titanium grey	521.01.511	712.00

Packing: 1 piece



Towel rail			
Dim. W x D x H mm	Finish	Cat. No.	Price* (MYR)
350 x 77 x 46	Titanium grey	521.01.571	142.00

Packing: 1 piece

Stock Item Freight Item



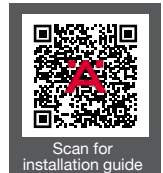
SMARTCUBE SHELVING STORAGE SYSTEM

Smartcube is a shelving system that can do almost anything and complements the interior design of any room. It can be extended as required and is very stable, whether integrated in existing furniture concepts or fixed to the wall, individually or in groups, on top of or adjacent to each other.

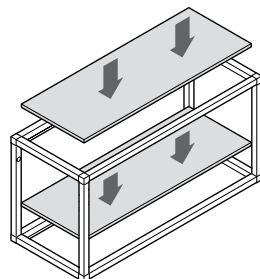
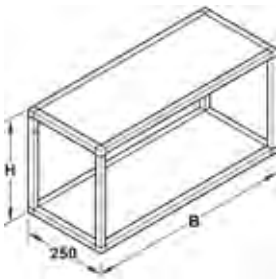
SHELF SYSTEM



- > Material: Aluminium
- > For table top thickness: <16 mm
- > Depth: 250 mm



- > Shelf system offering countless possible configurations and design possibilities
- > Available as sets for popular sizes or as individual components for customised interior design options



Order reference

Drop-in shelves not supplied.
Cutting dimensions of board material (W x D) = B - 38 mm x 212 mm

Dim (H x W) mm	Stainless steel coloured		Black		Price* (MYR)
300 x 600	793.06.031	✗	793.06.331	✗	1,511.00
300 x 900	793.06.032	✗	793.06.332	✗	1,647.00
300 x 1200	793.06.033	✗	793.06.333	✗	1,737.00
390 x 600	793.06.061	✗	793.06.361	✗	1,534.00
390 x 900	793.06.062	✗	793.06.362	✗	1,669.00
390 x 1200	793.06.063	✗	793.06.363	✗	1,760.00
450 x 600	793.06.041	✗	793.06.341	✗	1,557.00
450 x 900	793.06.042	✗	793.06.342	✗	1,692.00
450 x 1200	793.06.043	✗	793.06.343	✗	1,782.00

Packing: 1 piece

Stock Item Freight Item

ALUMINIUM BACKSPLASH



Your benefit

A sleek and modern alternative to the glass, acrylic and tiled backsplashes
Eco-friendly, durable, cost effective and fire-resistant

Ideal for any interior space with ease of processing, installing and maintenance

Material: Aluminium
Colour: Olive Green, Space Silver, Ocean Wave, Juicy Red, Totally Teal, Ash Brown, Winter Dream, Silver Brushed, Frist Frost, Stardust Black, Arctic White, Graphite, Ruby Scarlet and Sandy Steps.
Panel dimensions: 1500 x 3100mm, 750 x 2700mm, 400 x 1500mm
Thickness: 4 mm
Multiple applications: kitchen backsplash, alfresco and BBQ backsplashes, shower wall panels and shower recess, feature walls, shop fitting and displays, etc.

Kitchen Trends

Backsplashes bring functionality and style into your kitchen, protecting walls and cabinetry from moisture, heat, and grime, and at the same time adding personality and character to the kitchen space.

Design trends this year reflect this with open-plan kitchens blending into the main living room.

White glass units are the most popular choice for the kitchens. They are a style classic or you can choose a coloured backsplash to bring a statement to the space and inject some colour at a fraction of the cost.

Häfele is the only distributor selling aluminium backsplashes in Singapore!

An aluminium-based substrate, which is a sleek and modern alternative to the glass, acrylic and tiled backsplashes.

Alusplash is a fire-resistant panel that complies with various international fire codes, making it suitable to be used behind gas stoves, unlike acrylic backsplashes. It is coated with a durable, high gloss, UV resistant paint coating system that gives the panel surface a smooth and continuous look comparable to that of glass.

Available in a wide range of vibrant and earthy colours, AluSplash lends a modern look to any residential, commercial and retail space. A thoroughly versatile and eco-friendly product, AluSplash can also be used for multiple applications: kitchen backsplashes, kitchen island & bar backs, shower wall panels & shower recess, vanity backsplashes, mirror surrounds, laundry backsplash, feature walls, shopfitting and displays.

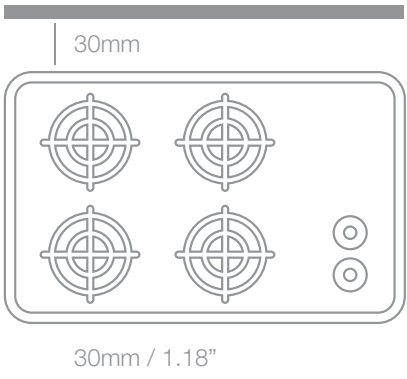
FEATURES

Safe, Hygienic & Low Maintenance

Grout free and non-porous. Dirt and grime can be easily wiped and cleaned with a microfibre cloth. Non-toxic and Lead-free paint surface. Will not shatter or crack like glass. Easy to clean and maintain.

Compatible with all cooktops (Fire Rated)

Fire rated and safe to use behind gas cooktops, unlike acrylic backsplashes. Suitable to be used behind all popular cooktops. Maintain a 30mm / 1.18" distance from the edge of the cooktops.



ECO Eco-Friendly

Singapore Green Label Certified. 100% post-consumer recyclable. Non-toxic and Lead-free. Requires less energy to produce than glass backsplashes. No emissions of greenhouse gases during production.

Quick & Easy to Install

Does not require expensive professional installation. Fabricate with normal wood working tools. Can be installed 3 times faster than tile backsplashes. Can be installed over new or existing wall finishes. Can be bent around corners to give a smooth and joint free finish. Easy to process, bend, fold and cut. Easy to make cut outs for electrical sockets.

EDGE PROFILES

With double sided taped for installation, 2m
Art.No : 752.02.502
Price (SGD) : 7.70

Steam & Water Resistant

Ideal panel for bathroom walls, shower surrounds and vanity backsplashes.



AluSplash® vs Glass, Acrylic & Tiles backsplashes

FEATURES	ALUSPLASH®	GLASS	ACRYLIC	TILES
EASY MAINTENANCE	✓	✓	✓	✗
FIRE RESISTANCE	✓	✓	✗	✓
DIY & EASY FABRICATION	✓	✗	✓	✗
QUICK INSTALLATION	✓	✗	✓	✗
AFFORDABILITY	✓	✗	✓	✓
DURABILITY	✓	✗	✓	✓
FORMABILITY	✓	✗	✓	✗

We reserve the right to alter specifications without notice.

ALUSPLASH COLOUR PANELS



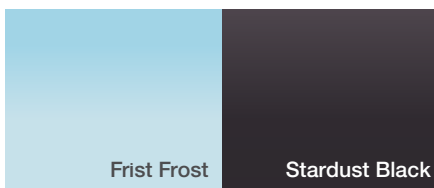
Alusplash Aluminium backsplash, thickness 4 mm

Colour	Version	Dimensions mm	M2	Cat. No.	Price* (MYR)
Olive Green/ Space Silver	Dual Finish - different colour finish to each side	1500 x 3100mm	4.65	564.53.102	✘ 3,696.00



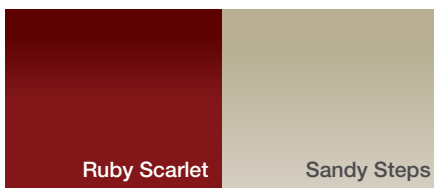
Alusplash Aluminium backsplash, thickness 4 mm

Colour	Version	Dimensions mm	M2	Cat. No.	Price* (MYR)
Totally Teal/ Ash Brown	Dual Finish - different colour finish to each side	1500 x 3100mm	4.65	564.53.112	✘ 3,696.00



Alusplash Aluminium backsplash, thickness 4 mm

Colour	Version	Dimensions mm	M2	Cat. No.	Price* (MYR)
Frist Frost/ Stardust Black	Dual Finish - different colour finish to each side	1500 x 3100mm	4.65	564.53.142	✘ 3,696.00



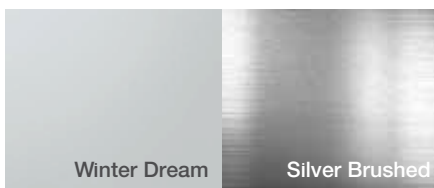
Alusplash Aluminium backsplash, thickness 4 mm

Colour	Version	Dimensions mm	M2	Cat. No.	Price* (MYR)
Ruby Scarlet/ Sandy Steps	Dual Finish - different colour finish to each side	1500 x 3100mm	4.65	564.53.122	✘ 3,696.00



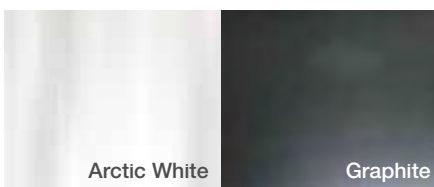
Alusplash Aluminium backsplash, thickness 4 mm

Colour	Version	Dimensions mm	M2	Cat. No.	Price* (MYR)
Ocean Wave/ Juicy Red	Dual Finish - different colour finish to each side	1500 x 3100mm	4.65	564.53.192	✘ 3,696.00



Alusplash Aluminium backsplash, thickness 4 mm

Colour	Version	Dimensions mm	M2	Cat. No.	Price* (MYR)
Winter Dream/ Silver Brushed	Dual Finish - different colour finish to each side	1500 x 3100mm	4.65	564.53.172	✘ 3,696.00



Alusplash Aluminium backsplash, thickness 4 mm

Colour	Version	Dimensions mm	M2	Cat. No.	Price* (MYR)
Arctic White / Graphite	Dual Finish - different colour finish to each side	1500 x 3100mm	4.65	564.53.182	✘ 3,696.00



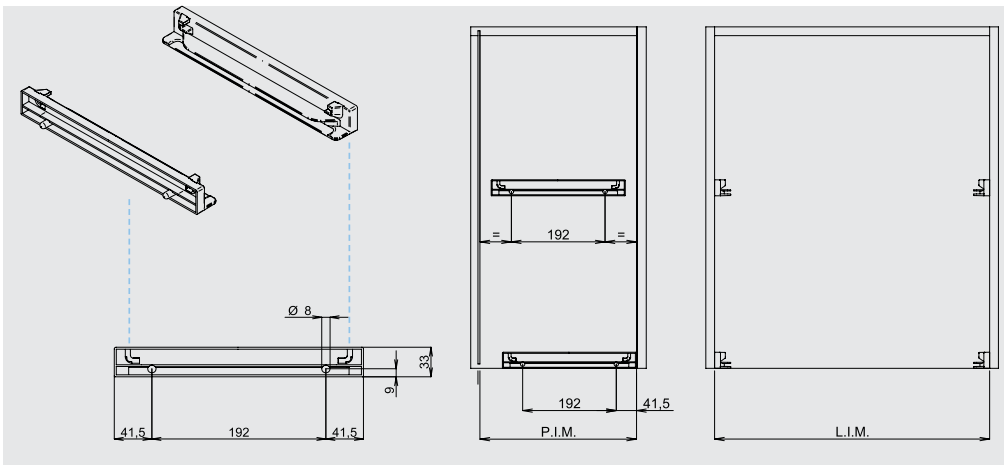
Scan for
installation guide
& product video



Note

Please order a can of Vuplex Plastic Cleaner, 200g, 007.32.131 (MYR 163.00/pc).

DISH DRAINER SYSTEM



> Material: Drip off rack stainless steel 304, side panel brackets plastic
 > Finish: Drip off rack polished, side panel brackets grey



For cabinet width mm	Depth mm	Cat. No.		Price* (MYR)
600	275	544.03.037		402.00
900	275	544.03.039		482.00

Set components complete with 1pc flat drip off rack, 1pc L-shape drip rack and 4pcs side panel bracket
 Packing: 1 set



For cabinet width mm	Depth mm	Cat. No.		Price* (MYR)
600	240	544.01.087		179.00
900	240	544.01.089		272.00

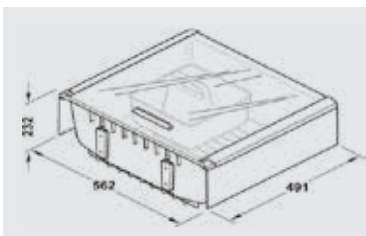
Packing: 1 piece

Stock Item Freight Item

PANTRY BOX DRAWER FOR FOOD



- > Vegetables, potatoes or bakery products are ideally stored - for immediate access.
- > The stable, easy-to-clean plastic box
- > Covered by an innovative Safety-Glass Sliding Lid it stores and covers the food hygienically and visibly.
- > Removable plastic grid with drainage and ventilation-slots ensures a suitable, convenient storages of vegetables.

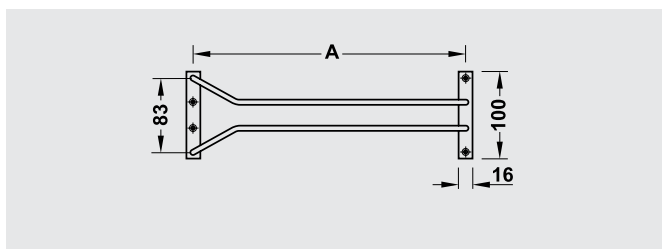


- > For cabinet width: 600mm
- > Material: Plastic, wood and glass
- > Colour finish: White
- > Side panel thickness: 16 - 19mm
- > Nominal length: 500mm

Dim. W x D x H mm	Cat. No.	Price* (MYR)
562 - 568 x 491 x 232	556.44.786	2,494.00

Set components complete with 1pc carrier box, 1pc wooden grid for bakery products and 1 pc plastic grid for vegetables
Packing: 1 set
*Note*Please order drawer system separately, refer to 552.53.306 at page 16*

GLASS HOLDER



- > Material: Stainless steel, quality 1.4301
- > Finish: Satin brushed
- > Height: 48mm
- > Rail: Ø 6mm

Dim. A mm	Cat. No.	Price* (MYR)
300	812.09.614	150.00
350	812.09.623	162.00
400	812.09.632	167.00
450	812.09.641	169.00

Set components complete with 1 pc glass holder and 4 pcs countersunk head screws
Packing: 1 set

BOTTLE HOLDER



- > Material: Stainless steel
- > Finish: Satin
- > Installation: For screw fixing

Dim. A mm	Cat. No.	Price* (MYR)
90 x 60 x 60	541.99.090	167.00



WASTE BINS

Recycling is now an everyday occurrence for most households, so our disposal systems have evolved to accommodate different types of waste. At Hafele, we offer waste solutions to suit every type of household.

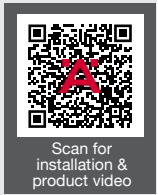
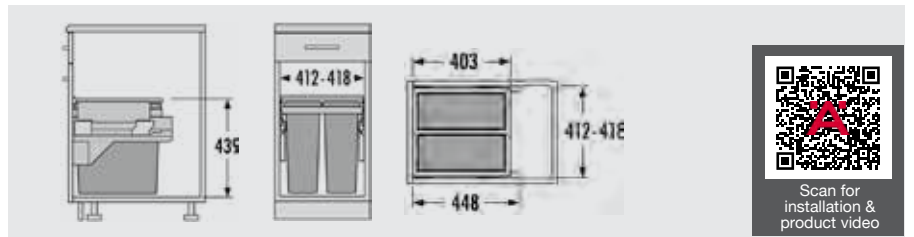
PULL OUT BIN



- > System includes its own runners for side fixing to cabinets and door front.
- > Complete waste bin system with soft closing Grass runners included.
- > Material: Extension element: Steel, bins: Plastic
- > Colour finish: Extension element: Silver grey, bins: light grey
- > For internal cabinet depth: Min. 450mm
- > Side panel thickness : 16 - 19mm, self-adjusting
- > Installation: For screw fixing to side panel
- > Type of pull out: Full extension with soft closing and self closing mechanism
- > Dim. (D x H): 403 x 439mm

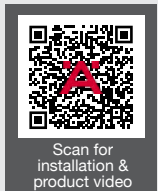
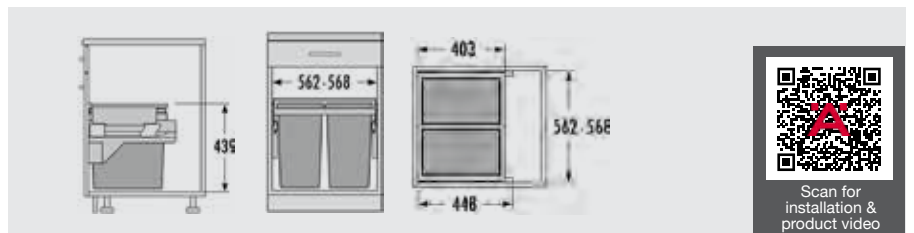


Electric door opener is available to order separately.



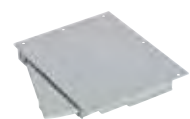
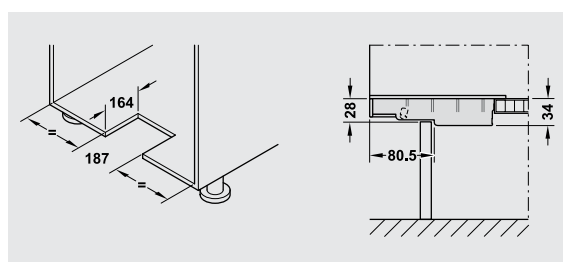
For cabinet width mm	Capacity l	Cat. No.	Price* (MYR)
450	2 x 19	502.73.901	2,103.00

Packing: 1 piece



For cabinet width mm	Capacity l	Cat. No.	Price* (MYR)
600	2 x 30	502.73.902	2,157.00

Packing: 1 piece



Electric door opener	
Cat. No.	Price* (MYR)
502.15.114	1,374.00

Stock Item Freight Item



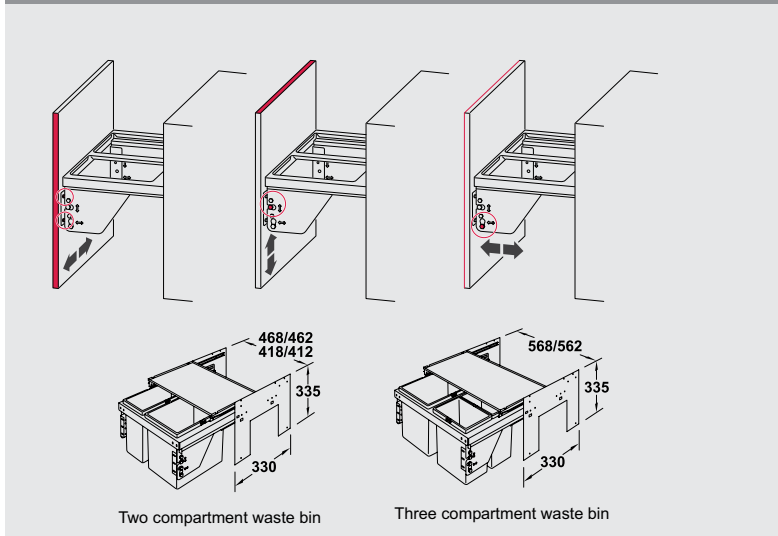
PULL OUT BIN



Sliding lid shelf with anti slip mat

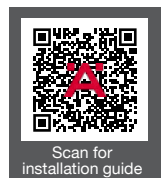
- > Material: Bin holder: Steel, bins: Plastic
- > Colour finish: Bins: anthracite
- > For internal cabinet depth: Min. 450mm
- > Side panel thickness: 16 - 19mm
- > Load bearing capacity: 50kg
- > Installation: For screw fixing to side panel, easy and fast mounting with metal installation template
- > Type of pull out: Full extension with soft closing and self closing mechanisms, with extension stop
- > Version: With lid storage system (waste bins), extending, with non-slip mat, can be cut be size, 3D adjustable

3D Adjustment Waste bin

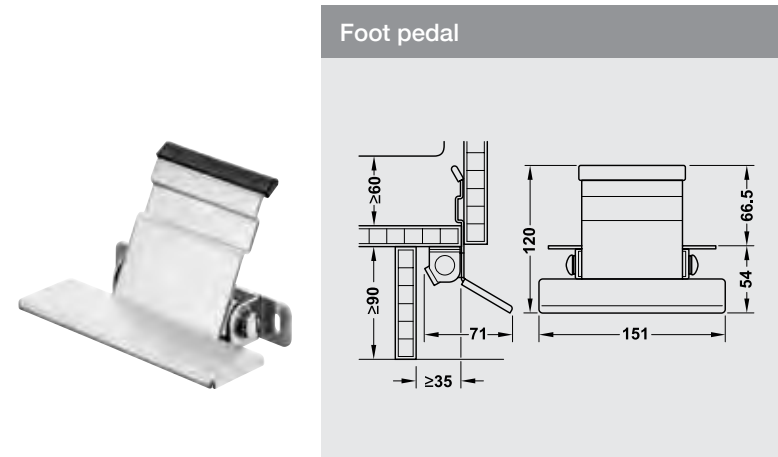


For cabinet width mm	Capacity l	Cat. No.		Price* (MYR)
Two compartment waste bin				
450	2 x 11	503.76.311	✘	1,625.00
600	2 x 17	503.76.314	✘	1,668.00
Three compartment waste bin				
600	1 x 17 and 2 x 8	503.76.313	✘	2,041.00

Packing: 1 piece



Foot pedal



- > Area of application: For pull-outs with self closing and soft closing mechanism, can be retrofitted
- > Material: Stainless steel

Cat. No.	Price* (MYR)
503.02.999	✘ 360.00

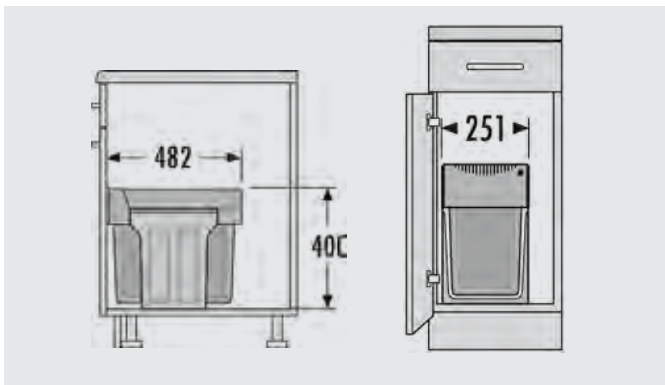
Packing: 1 piece

Stock Item Freight Item

PULL OUT BIN



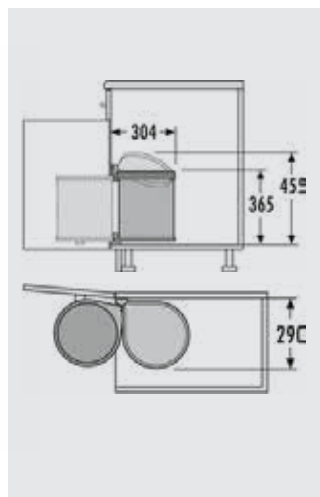
- > The bin housing incorporates its own runner and is secured to the cabinet floor.
- > Designed to be withdrawn from the cabinet whilst the lid remains inside.
- > Material: Bin holder: Steel, plastic coated, Lid and bins: Plastic
- > Colour finish: Bin holder: Silver coloured, Lid and bins: grey
- > Installation: For screw fixing to base panel
- > Type of pull out: Full extension (manual extension)
- > Dim. (W x D x H): 251 x 482 x 400mm



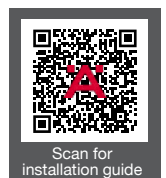
For cabinet width mm	Capacity l	Cat. No.	Price* (MYR)
Min. 300	2 x 15	502.70.252	895.00

Packing: 1 piece

SWING OUT BIN BEHIND HINGED DOOR



- > Material: Housing: Stainless steel, Bin and lid: Plastic
- > Colour finish: Bin: Light grey, Lid: White
- > Installation: For screw fixing to side panel and cabinet door
- > Mounting: For left and right hand use
- > Dim. (W x D x H): 290 x 304 x 365mm
- > Opening angle: 95°



For cabinet width mm	Capacity l	Cat. No.	Price* (MYR)
300	15	502.12.023	293.00

Packing: 1 piece

TABLE FITTING





When space is at a premium, our table fittings will help to add maximum function and versatility to any table or workspace application.

TOPFLEX
PULL OUT TABLE FITTING



> When not in use, the extendable table sections are concealed behind a drawer front



> The table sections slide effortlessly into place. Partially extended, Topflex is already a usable surface



> As TopFlex is pulled out, the drawer front drops down automatically.



> Fully extended, the two sections plus the drop-down front and the flush-mounted runner create a streamlined table surface

- > Material: Steel
- > Finish/ colour: Galvanized or powder coated, white aluminium, RAL 9006
- > Version: Front panel automatically drops to level of additional worktop, with lateral cover for the hardware and fitting system
- > For cabinet width: 450- mm - 900 mm
- > Load bearing capacity: 30 kg

Internal cabinet depth mm	Extension length mm	Cat. No.	Price* (MYR)
Min. 500	810	505.70.200	1,232.00

Supplied with 1 set pull out table fitting and 1 set of installation instructions
Packing: 1 set

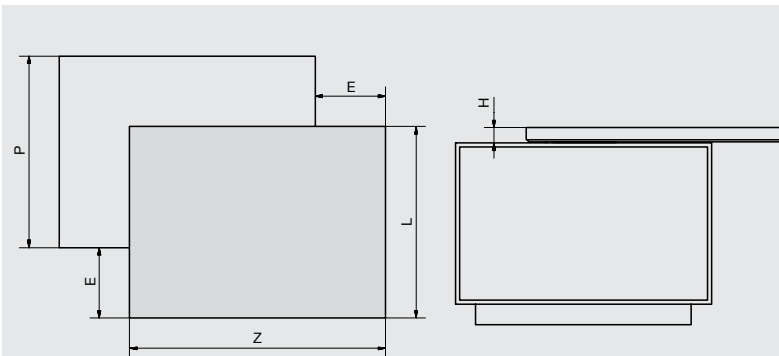
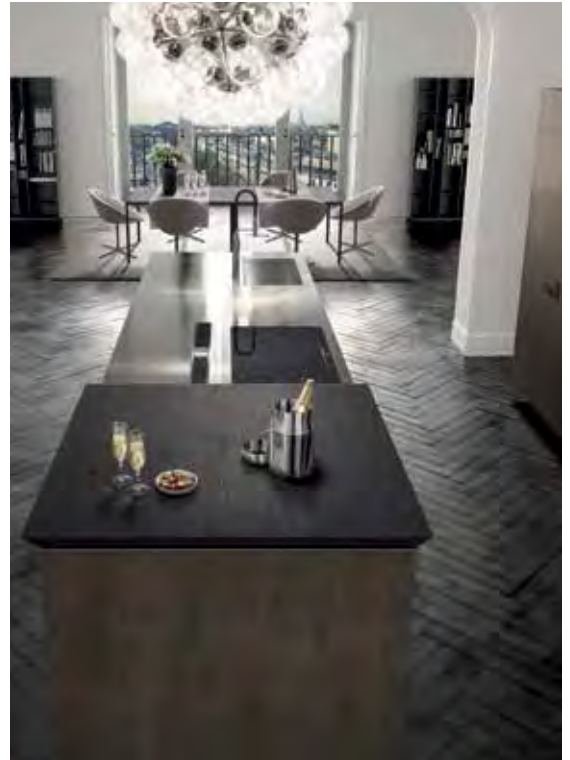


Stock Item Freight Item

SLIDE QUADRATO SLIDING TABLE FITTING

5
YEARS

MADE IN
EUROPE



- > Material: Aluminium
- > Finish/colour: Gret satin
- > For cabinet width: Min. 1200mm
- > Load bearing capacity: 60 kg



P	Depth	Min. 1200mm
H	Height	Min. 75mm
Z	Top width	1200mm
L	Width mechanism	1200mm
S	Top thickness	Min. 18mm
E	Top opening	350mm

Cat. No.	Price* (MYR)
642.19.800 	5,546.00

Supplied with 1 set pull out table fitting and 1 set of installation instructions
Packing: 1 set
Note: Table top not supplied

FLAP PULL OUT
WORKTOP FITTING



P	Depth	950mm
H	Height	55mm
Z	Top width	950mm
L	Width mechanism	600/1300
S	Top thickness	Min. 50mm
E	Top opening	600mm
T	Height mechanism	Min. 450mm

- > Material: Aluminium
- > Finish/colour: Gret satin
- > Load bearing capacity: 80 kg



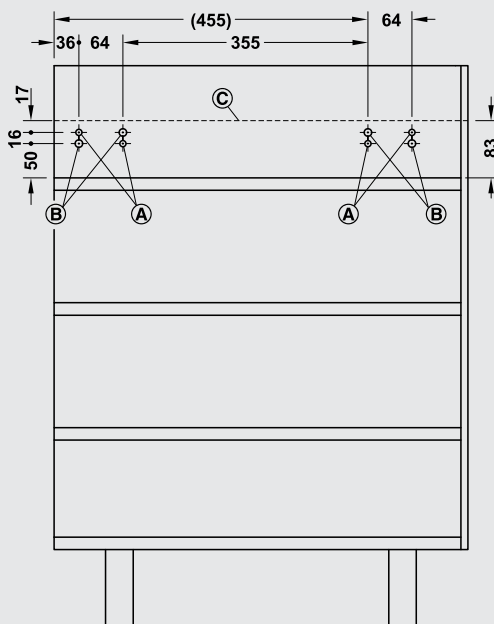
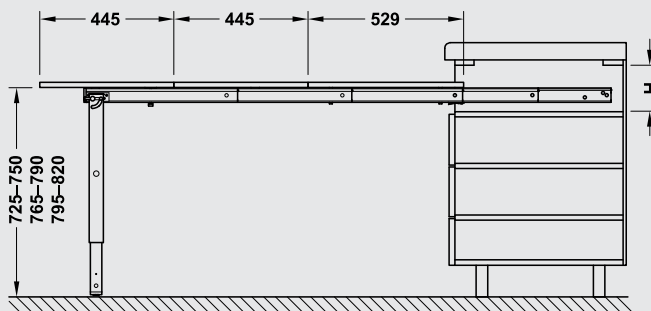
Cat. No.	Price* (MYR)
642.19.810	5,511.00

Supplied with 1 set pull out table fitting and 1 set of installation instructions
 Packing: 1 set
 Note: Table top not supplied

PULL OUT SYSTEMS FOR INSTALLATION IN CABINETS

5
YEARS

MADE IN
EUROPE



Side view
 (A) 8 mm, depth: 13 mm
 (B) 10 mm, min. depth: 3.5 mm
 (C) Top edge of fitting

- > Area of application: For kitchen and living room furniture, can be installed in place of a drawer to provide a uniform front design
- > Material: Guide profiles: Aluminium, table leg: Steel
- > Finish/colour: Aluminium: Silver coloured anodized, steel: White aluminium
- > Internal installation depth: >560 mm
- > Internal installation height: Dim. H > (83 mm + 3 x table top thickness)
- > Load bearing capacity: Approx. 60 kg
- > Version: With folding table leg



Item description	Cat. No.	Price* (MYR)
Pull out systems	642.19.928 x 1	7,457.00
Concealed hinge	329.49.642 x 2	
Mounting plate	329.71.500 x 2	
VICI hinge	341.25.712 x 6	
Flap stay with cable	365.47.701 x 1	

Order reference

Table top not supplied.
 Please order 1 piece inset handle for drawer front separately

FLAP FITTING & HINGE





Forget hanging cabinets with conventional doors that unnecessarily yet remarkably take up space when opened. Modern cabinets, thanks to advanced lift fittings, not only save space, but operate more easily and efficiently.

FREE FLAP FITTING

Mechanical

- > All types of opening are available: Stay flap, lift up flap, double flap lift-up and lift up front fittings
- > Multi-position stop: Flap locks reliably in any position
- > Gentle and quiet closing thanks to integrated soft closing mechanism
- > Quick, easy installation and disassembly thanks to the clip system for the front panel, the base plate pins of the fittings and the fronthung Euro screws
- > Convenient 3 dimensional front panel adjustmentpanels without handle and dampened closing.



FREE FLAP 1.7

- > Extremely suitable for small to medium-sized flaps
- > Featherlight flap opening
- > Hinge connection not required
- > Push-to-open for front panels without handle



FREE FLAP 3.15

- > Extremely suitable for large, heavy flaps in wall units
- > Featherlight flap opening
- > Hinge connection not required
- > Push-to-open for front panels without handle



FREE FOLD SHORT

- > Ideal for high wall units with large front panels
- > Handle is always easily accessible, even with high front panels
- > Minimal space required inside the room
- > Material combination possible in the front panel design
- > Finger-safe thanks to patented finger protection of the connecting hinge



FREE SWING

- > Ideal for large, one-piece front panels
- > Swivels around cornice profiles and surface mounted lights
- > Cabinet contents are extremely easy to access
- > Cross bar can be shortened to individual cabinet widths



FREE UP

- > Ideal for larger units or wall units with front panels above
- > Also optimally suited for cabinets with cornices or side panels
- > Cross bar can be shortened to individual cabinet widths

Electric

- > Effortless opening, even with large and heavy front panels
- > Extremely quiet and smooth running
- > Integrated soft closing and soft opening mechanisms
- > Safety stop and collision avoidance function
- > Can also be effortlessly operated during power failures thanks to the free-swing function
- > Connecting facility for 24 V Loox light

FREE FLAP 1.7 E



FREE FLAP 3.15 E



FREE FOLD E



FREE SWING E



FREE UP E



FLAP FITTING

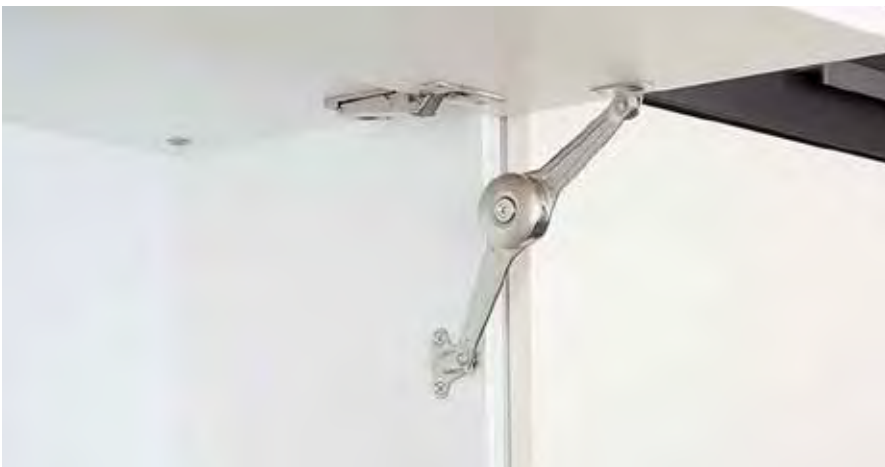
Mechanical

- > With hinge connection to the flap
- > Multi-position stop: Flap locks reliably in any position
- > Can be used on one or both sides
- > Quick, easy installation and disassembly thanks to clip-on system
- > Holding power can be adjusted individually to suit flap weight
- > For front panels with and without handle
- > Less space required inside the cabinet



MAXI

- > Ideally suited for wide and heavy flaps
- > Less space required inside the cabinet
- > Easy, power-assisted opening of the flap
- > Holding power adjustment
- > Soft closing optional via fitting



DUO STANDARD/ DUO FORTE

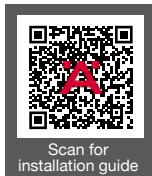
- > Lid stay and flap stay in one
- > For small wall units and bar cabinet applications
- > Less space required inside the cabinet
- > With adjustable holding power
- > With braking and locking mechanisms



FLAP STAY WITH PULL CABLE

- > Opening angle adjustable
- > No time-consuming cabinet processing required
- > For horizontal or vertical use (extremely little space requirement inside the cabinet)
- > For right/left hand use

FREE FLAP 1.7 STAY FLAP FITTING



Scan for installation guide

- > For one-piece flaps made from wood, glass or with aluminium frame
- > Material: Fitting: Plastic, steel, cover cap: Plastic
- > Finish/colour: Fitting: Nickel plated
Cover cap: Grey/Anthracite
- > Opening angle: 107° (can be limited to 90° by means of opening angle restraint)
- > Adjustment facility: Height/side/tilting angle of front ±1.5mm, holding power

Front panel thickness Y mm	16	19	22	26	28
Distance X mm (with cabinet top panel thickness 16 mm)	83	74	64	52	46

For limiting opening angle from 107° to 90°

Model	A	B	C
Door height mm	Door weight kg		
200	1.7 - 4.6	3.6 - 7.9	6.8 - 14.7
225	1.5 - 4.1	3.1 - 7.1	6.0 - 13.1
250	1.3 - 3.8	2.9 - 6.4	5.4 - 11.8
275	1.2 - 3.3	2.5 - 5.7	4.8 - 10.6
300	1.1 - 3.1	2.4 - 5.1	4.4 - 9.6
325	1.0 - 2.8	2.1 - 4.6	4.0 - 8.8
350	0.9 - 2.6	2.1 - 4.2	3.7 - 8.1
375	0.9 - 2.3	1.9 - 3.8	3.5 - 7.5
400	0.8 - 2.1	1.7 - 3.6	3.2 - 7.0
425	0.7 - 1.9	1.5 - 3.4	2.9 - 6.5
450	0.6 - 1.7	1.4 - 3.2	2.7 - 6.1
Grey cover cap	372.92.340	372.92.342	372.92.344
Anthracite cover cap	372.29.405	372.29.406	372.29.407
Price* (MYR)	229.00	229.00	235.00

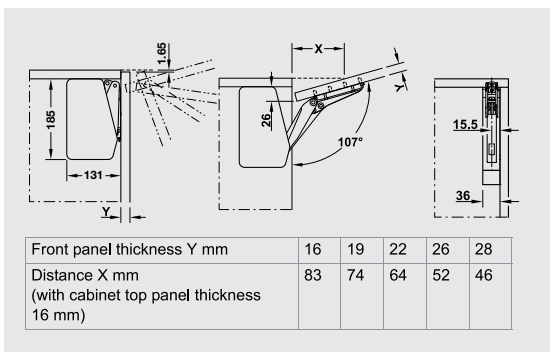
Set components complete with 1 set Free Flap 1.7 (including front fixing brackets, installation instructions and paper drilling template), 1 pair cover cap (Grey/Anthracite) and 1 set opening angle restraint
Packing: 1 set

Stock Item Freight Item

FREE FLAP 3.15 STAY FLAP FITTING



- > For one-piece flaps made from wood, glass or with aluminium frame
- > Material: Fitting: Plastic, steel, cover cap: Plastic
- > Finish/colour: Fitting: Nickel plated
Cover cap: Grey/Anthracite
- > Opening angle: 90° or 107° (adjustable on fitting)
- > Adjustment facility: Height/side/tilting angle of front ±1.5mm, holding power



Model	D	E	F	G
Door height mm	Door weight kg			
350	5.2 - 11.0	6.7 - 14.3	10.1 - 21.4	13.5 - 27.3
375	4.9 - 10.2	6.3 - 13.1	9.4 - 19.8	12.5 - 25.2
400	4.7 - 9.6	5.9 - 12.4	8.9 - 18.6	11.8 - 23.3
425	4.4 - 9.0	5.6 - 11.6	8.3 - 17.4	11.0 - 21.8
450	4.1 - 8.4	5.2 - 10.9	7.8 - 16.3	10.4 - 20.5
475	3.9 - 8.0	4.9 - 10.3	7.4 - 15.4	9.8 - 19.3
500	3.7 - 7.5	4.7 - 9.7	7.0 - 14.6	9.2 - 18.3
525	3.5 - 7.1	4.4 - 9.2	6.6 - 13.9	8.8 - 17.3
550	3.3 - 6.8	4.2 - 8.8	6.3 - 13.2	8.3 - 16.5
575	3.2 - 6.5	4.0 - 8.4	6.0 - 12.5	8.0 - 15.6
600	3.0 - 6.2	3.8 - 8.0	5.7 - 12.0	7.6 - 15.0
625	2.8 - 5.9	3.6 - 7.6	5.4 - 11.5	7.2 - 14.4
650	2.6 - 5.6	3.4 - 7.3	5.3 - 11.0	6.9 - 14.0
Grey cover cap	372.92.346	372.92.348	372.92.350	372.92.352
Anthracite cover cap	372.29.408	372.29.409	372.29.410	372.29.411
Price* (MYR)	292.00	292.00	304.00	329.00

Set components complete with 1 set Free Flap 3.15 (including front fixing instructions and paper drilling template) and 1 pair cover cap (Grey/Anthracite)
Packing: 1 set

Stock Item Freight Item

FREE FOLD SHORT DOUBLE FLAP LIFT UP FITTING



For 2-piece flaps with division 1:1 made from wood or aluminium frame

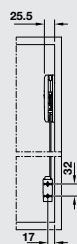
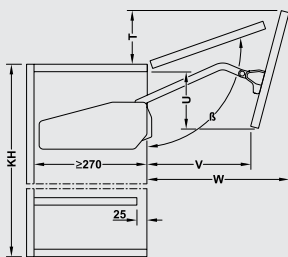
- > Even high front panels can be lifted up in a space-saving way
- > Less space required in the room when opening
- > The handle is reachable at all times
- > Pleasant operating feeling even with heavy flaps
- > Stylish and compact design
- > Safety stop
- > For use in combination with standard 100° concealed hinges
- > Minimum opening resistance, multi-position stop function and integrated soft opening and soft closing mechanisms for extremely pleasant operating feeling
- > Rational and quick installation thanks to pins, pre-mounted Euro screws and quick fixing system of the front panel

Highest operating convenience



- > Minimum opening resistance
- > Flap locks in any position (multi-position stop)
- > Smooth, soft closing movement
- > Soft opening and soft closing mechanisms

Free Fold Short Planning



Cabinet height KH mm	β°	Q	R mm	S mm	T mm	U mm	V mm	W mm
450 - 480	~107-98	1.0	349	313	94 - 49	93 - 128	196 - 180	315 - 343
480 - 530	~107-96	1.1	426	328	100 - 37	100 - 155	203 - 186	328 - 370
520 - 590	~107-93	1.1	466	347	106 - 23	112 - 184	213 - 190	347 - 401
580 - 650	~108-95	1.2	589	377	119 - 40	126 - 197	227 - 207	375 - 430
650 - 730	~107-94	1.2	664	409	124 - 38	147 - 224	238 - 215	411 - 470
710 - 790	~108-95	1.2	736	439	136 - 46	161 - 233	250 - 219	439 - 500
770 - 840	~108-95	1.0	644	467	146 - 43	179 - 223	267 - 200	466 - 527
840 - 910	~108-98	1.2	882	501	154 - 70	195 - 248	272 - 231	502 - 559
910 - 970	~107-98	1.1	865	533	160 - 78	214 - 246	282 - 225	536 - 588
960 - 1010	~107-100	1.1	915	557	170 - 99	228 - 251	295 - 240	560 - 605
1000 - 1040	~107-102	1.1	954	576	177 - 120	239 - 256	306 - 256	578 - 616

We reserve the right to alter specifications without notice.

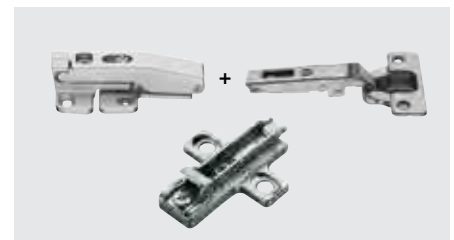
FREE FOLD SHORT DOUBLE FLAP LIFT UP FITTING



- > For two-piece flaps made from wood, glass or with aluminium frame
- > Material: Fitting: Plastic, steel, cover cap: Plastic
- > Finish/colour: Fitting: Nickel plated
Cover cap: Grey/Anthracite
- > Adjustment facility: Height/side/depth of top panel (via concealed hinge) and lower panel (via connecting hinge), holding power/centre pull (via fitting)



Door height KH mm	Door weight kg	Model	Grey cover cap		Anthracite cover cap		Price* (MYR)
520 - 590	4.8 - 9.0 kg	D3fs	372.29.034	✘	372.29.607	✘	632.00
580 - 650	4.0 - 8.5 kg	E3fs	372.29.038	✘	372.29.611	✘	640.00
650 - 730	3.7 - 7.4 kg	F3fs	372.29.042	✔	372.29.615	✔	642.00
	7.0 - 11.8 kg	F4fs	372.29.043	✔	372.29.616	✔	656.00
710 - 790	6.1 - 10.8 kg	G4fs	372.29.046	✔	372.29.619	✔	659.00
	8.5 - 14.4 kg	G5fs	372.29.047	✔	372.29.620	✔	652.00
770 - 840	7.5 - 14.1 kg	H5fs	372.29.050	✔	372.29.623	✔	655.00
	10.5 - 20.9 kg	H6fs	372.29.644*	✔	372.29.649*	✔	781.00
840 - 910	6.9 - 12.2 kg	I5fs	372.29.052	✔	372.29.625	✔	769.00
	10.0 - 20.0kg	I6fs	372.29.645*	✔	372.29.650*	✔	895.00
910 - 970	6.4 - 11.5kg	J5fs	372.29.054	✔	372.29.627	✔	772.00
	8.9 - 16.8kg	J6fs	372.29.646*	✔	372.29.651*	✔	898.00
960 - 1010	8.4 - 16.6kg	K6fs	372.29.647*	✔	372.29.652*	✔	907.00
1000 - 1040	9.1 - 16.1kg	L6fs	372.29.648*	✔	372.29.653*	✔	909.00



Note: Use 3 hinges for flap widths > 900mm

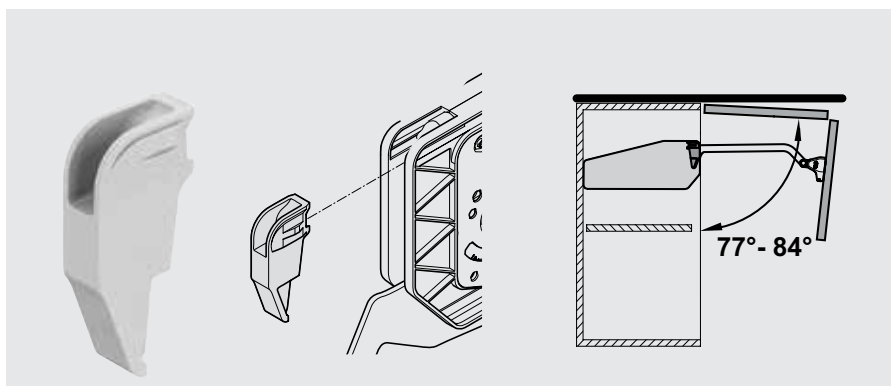
Cat. No.		Price* (MYR)
372.64.796 x 1	✔	
329.17.600 x 1	✔	60.00
329.71.503 x 1	✔	

Packing: 1piece

Set components complete with 1 set Free Fold short flap fitting (including front fixing brackets, installation instructions and paper drilling template, 1 pair cover cap (Grey/Anthracite), 2 pieces concealed hinge with mounting plate and 2 pieces connecting hinge)

Packing: 1 set

Note: Art.no. with * is not possible with E-drive



- > For restricting the opening angle of the pair of doors to under 90°
- > Area of application: For restricting the opening angle of the pair of doors to under 90°
- > Installation: For push fitting

Opening angle restraint		
Cat. No.		Price* (MYR)
372.37.060	✔	15.00

Packing: 1set

FREE SWING
LIFT UP FLAP FITTING



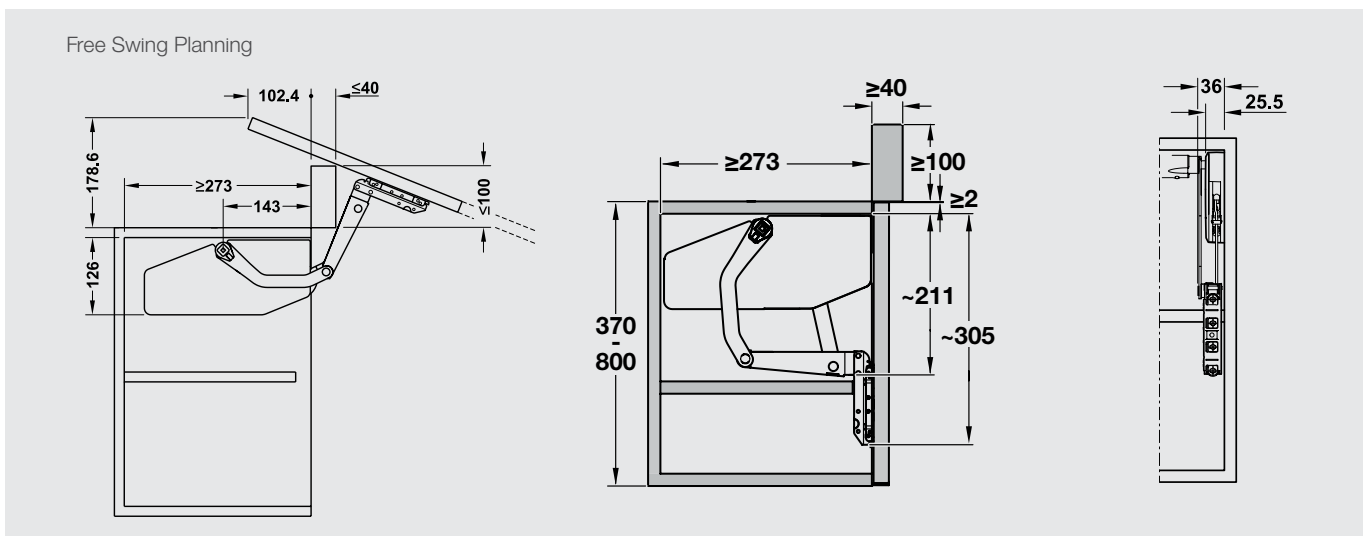
For flaps made from wood, glass or with aluminium frame

- > Ideal for large flaps
- > Swivels around cornice profiles and surface mounted lights
- > Full access to the cabinet contents
- > Stylish and compact design
- > Minimum opening resistance, multi-position stop function and integrated soft opening and soft closing mechanisms for extremely pleasant operating feeling
- > Rational and quick installation thanks to pins, pre-mounted Euro screws and quick fixing system of the front panel and cross bar

Highest operating convenience



- > Minimum opening resistance
- > Flap locks in any position (multi-position stop)
- > Smooth, soft closing movement
- > Soft opening and soft closing mechanisms



FREE SWING LIFT UP FLAP FITTING

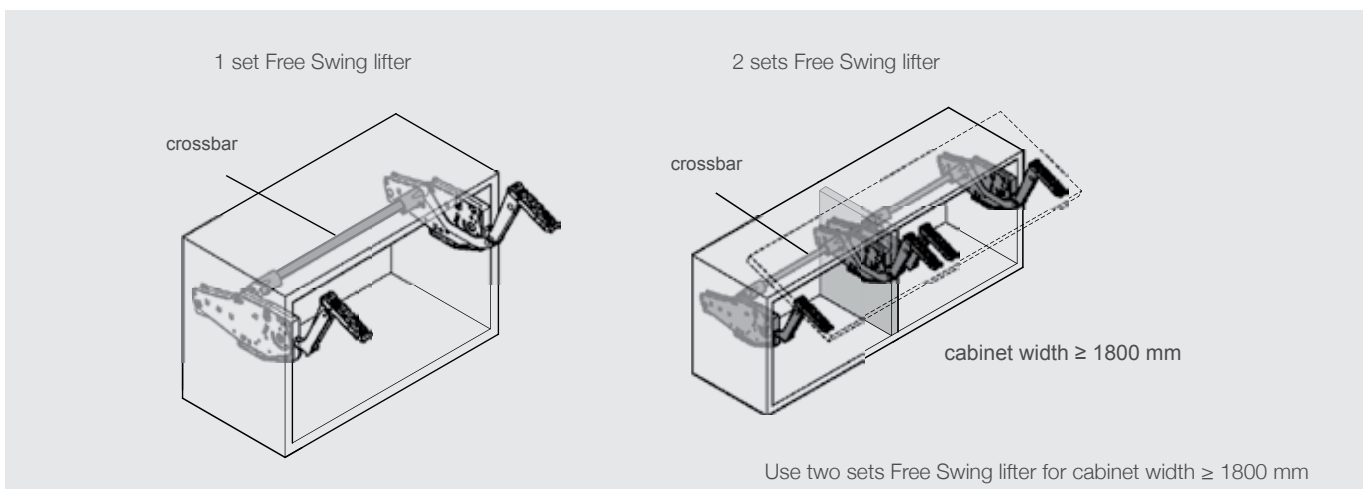


- > For one-piece flaps made from wood, glass or with aluminium frame
- > Material: Fitting: Plastic, steel
Cover cap: Plastic
- > Finish/colour: Fitting: Nickel plated
Cover cap: Grey/Anthracite
- > Adjustment facility: Height adjustment ± 1.5 mm, side adjustment ± 1.5 mm, tilting angle $\pm 1.5^\circ$, holding power



Model	S2sw	S3sw	S5sw	S6sw	S8sw	S9sw
Cabinet height mm	Flap weight kg					
500	2.5 - 5.9	-	5.0 - 10.0	-	8.2 - 15.9	-
550	2.5 - 5.6	-	4.8 - 9.6	-	7.8 - 15.2	-
600	2.5 - 5.3	-	4.7 - 9.3	-	7.5 - 14.5	-
670	2.5 - 4.8	3.2 - 6.5	4.5 - 8.8	5.7 - 11.3	7.0 - 13.5	8.5 - 17.1
700	-	3.1 - 6.3	-	5.6 - 11.1	-	8.4 - 16.7
750	-	3.0 - 6.0	-	5.4 - 10.7	-	8.2 - 16.0
800	-	2.9 - 5.7	-	5.3 - 10.3	-	8.0 - 15.3
Grey cover cap	372.71.138 ✈	372.71.140 ✈	372.71.142 🏠	372.71.144 🏠	372.71.146 ✈	372.71.148 ✈
Anthracite cover cap	372.29.219 ✈	372.29.220 ✈	372.29.222 🏠	372.29.223 🏠	372.29.225 ✈	372.29.226 ✈
Price* (MYR)	588.00	598.00	599.00	615.00	610.00	635.00

Set components complete with 1 set Free Swing flap fitting (including front fixing brackets, installation instructions and paper drilling template, 1 pair cover cap (Grey/Anthracite) and 1 piece cross bar 1,074mm
Packing: 1 set



FREE UP
LIFT UP FRONT FITTING



For one-piece flaps made from wood, glass or with aluminium frame

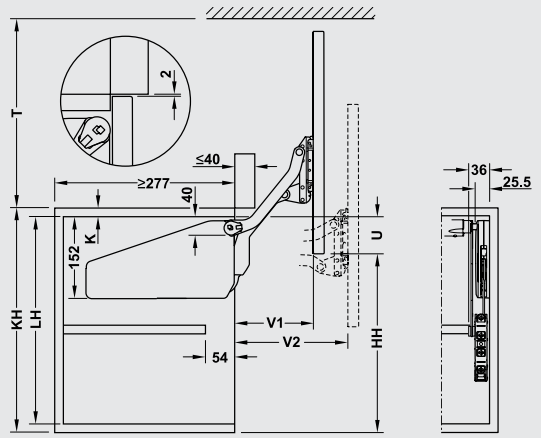
- > Ideal for cabinets with front panels above
- > Hardly any space required in the room towards the front
- > Creates practical "niches" in tall cabinets, e.g. for electrical equipment
- > Cabinet contents are extremely easy to access
- > Excellent side stability
- > Minimum opening resistance, multi-position stop function and integrated soft opening and soft closing mechanisms for extremely pleasant operating feeling
- > Rational and quick installation thanks to pins, pre-mounted Euro screws and quick fixing system of the front panel and cross bar
- > Stylish and compact design

Highest operating convenience



- > Minimum opening resistance
- > Flap locks in any position (multi-position stop)
- > Smooth, soft closing movement
- > Soft opening and soft closing mechanisms

Free Up Planning



Cabinet height KH mm	LH mm	HH mm	T mm	V1 mm	V2 mm
320 - 360	> 280	278	>281	128	177
345 - 420	> 308	328	>333	146	205
380 - 500	> 343	390	>393	168	240
430 - 600	> 388	470	>473	196	284

We reserve the right to alter specifications without notice.

FREE UP LIFT UP FRONT FITTING

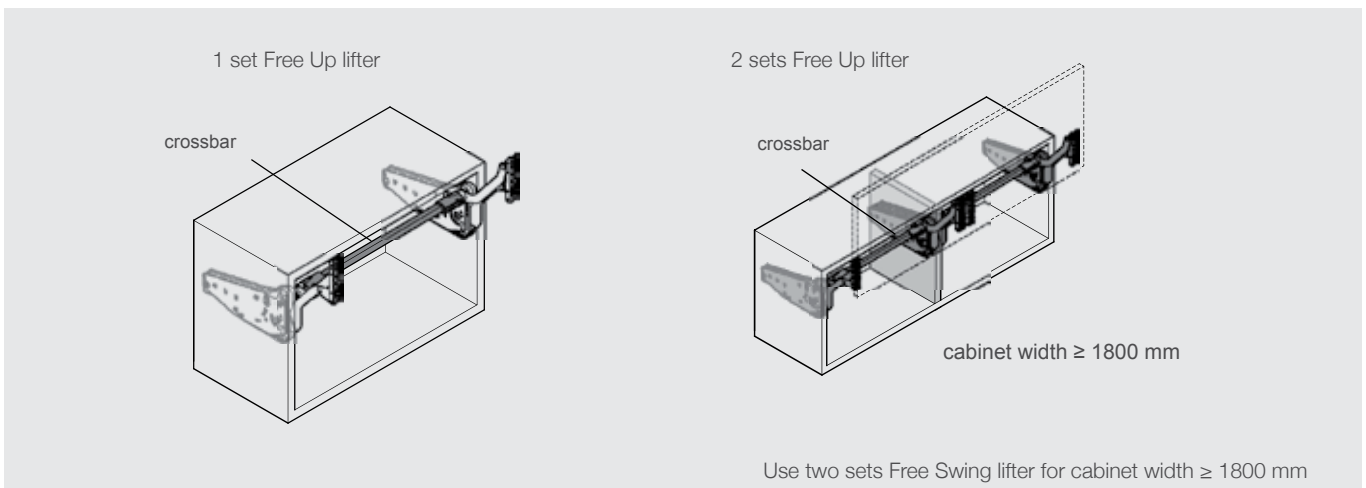


- > For one-piece flaps made from wood, glass or with aluminium frame
- > Material: Fitting: Plastic, steel, cover cap: Plastic
- > Finish/colour: Fitting: Nickel plated
- > Cover cap: Grey/Anthracite
- > Adjustment facility: Height adjustment $\pm 1.5\text{mm}$, side adjustment $\pm 1.5\text{mm}$, tilting angle $\pm 1.5^\circ$, holding power



Door height KH mm	Door weight kg	Model	Grey cover cap		Anthracite cover cap		Price* (MYR)
345 - 420	2.4 - 4.8	P1us	372.37.126	✘	372.29.134	✘	591.00
	4.1 - 8.0	P2us	372.37.128	✘	372.29.135	✘	602.00
380 - 500	3.4 - 6.7	Q2us	372.37.132	✔	372.29.139	✔	604.00
	6.3 - 11.8	Q3us	372.29.105	✔	372.29.140	✔	605.00
430 - 600	5.0 - 9.7	R3us	372.37.136	✔	372.29.144	✔	764.00
	7.4 - 14.6	R4us	372.29.108	✔	372.29.145	✔	784.00

Set components complete with 1 set Free Up flap fitting (including front fixing brackets, installation instructions and paper drilling template, 1 pair cover cap (Grey/Anthracite) and 1 piece cross bar 1,074mm
Packing: 1 set



Häfele Free e-drive for Free lap, Free fold, Free swing and Free up

Electronic movement support for Free flap fitting series

Free e-drive is Häfele's electro-mechanical movement assistance for the entire application area of the Free flap fitting family. It impresses with its elegant design, gentle movements and its ease of installation and programming.

The electrical drive solution is perfectly coordinated with all Free fittings, and adds Free flap 1.7 E, Free flap 3.15 E, Free fold E, Free up E and Free swing E solutions to the multi-award-winning Free family:



Free flap 1.7 / 3.15 E



Free fold E



Free swing E



Free up E

- > An e-drive drive unit that is suitable for the Free flap 1.7 and Free flap 3.15 standard fittings
- > An e-drive drive unit that is suitable for the Free fold, Free fold short, Free up and Free swing standard fittings
- > Standard programming and operating functions for all Free E applications
- > The installation position and the range of applications of the Free fittings remain unchanged
- > Component installation practically without tools
- > The e-drive unit can be retroitted at any time (lever arm replacement also required with Free up and Free swing)
- > Extremely quiet and smooth running
- > With integrated free-swing function for effortless manual operation of the flap (even in the event of a power failure)
- > Automatic safety stop function with interruption of the opening or closing movement if obstacles are detected
- > Parallel connection for up to three drive units, collision avoidance with cross-corner installation situations and temporary disabling of the drive to clean the flap fronts can also be programmed (optional)
- > Two delivery configurations: Pre-mounted in a complete set, or flexibly in additional assemblies for retrofitting the standard mechanical fitting



Installation and programming



The e-drive drive unit sits on the left-hand fitting. The lead is simply inserted into the drive unit.

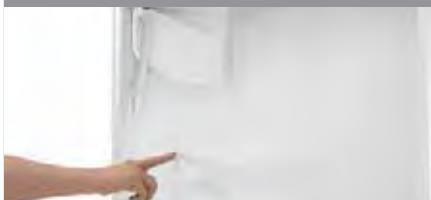


24 V interior cabinet lighting from the Loox product range can also be operated using the drive unit. The light switches on when the lap is opened.



The push button sender assigning and the programming of other functions take place via a switching button directly on the drive unit. All programming processes are accompanied and acknowledged by visual and acoustic system feedback.

Operation



Opening: The sensor switches, which are usually recessed in the side panels, react to gentle pressure on the flap front. They emit a radio signal and the flap moves quietly and automatically to the open position.



Closing: Pressing the button on the inner surface of the sensor switch sends a radio signal to the drive, which then automatically closes the flap. The movement to the closed position takes place quietly and gently.



The free-swing function integrated in all e-drive units makes effortless manual operation of the flap applications possible. The multi-position stop function that is typical of the Free flap fittings ensures that the flap locks securely in any position.

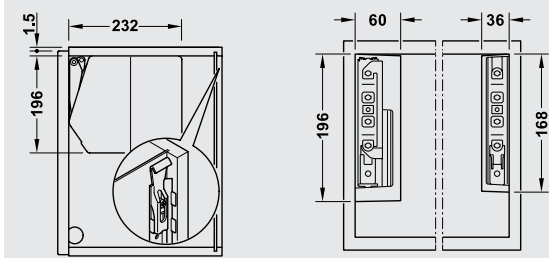
FREE FLAP 1.7E STAY FLAP FITTING



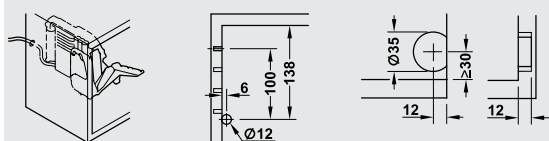
- > Material: Fitting: Steel, cover cap: Plastic, drive housing: Zinc alloy
- > Finish/colour: Fitting: Nickel plated, cover caps: Grey / Anthracite
- > For flap width: <1,200 mm (>1,200 mm = 2 sets)
- > Opening angle: 107° (can be limited to 90° by means of optional opening angle restraint)
- > Adjustment facility: Front panel: Height/side/tilting angle ±1.5 mm
- > Input voltage: 100–240 V AC/50–60 Hz/1.3 A
- > Nominal voltage: 24 V DC/2.5 A
- > Output voltage: For interior cabinet lighting: 24 V DC/1.2 A
- > Stand-by consumption: 1 W
- > Radio frequency: 2.4 GHz
- > Protection class: II



Planning and space requirement



Push button sender and cable guide installation



Model	A	B	C
Door height mm	Door weight kg		
200	1.7 - 4.6kg	3.6 - 7.9kg	6.8 - 14.7kg
225	1.5 - 4.1kg	3.1 - 7.1kg	6.0 - 13.1kg
250	1.3 - 3.8kg	2.9 - 6.4kg	5.4 - 11.8kg
275	1.2 - 3.3kg	2.5 - 5.7kg	4.8 - 10.6kg
300	1.1 - 3.1kg	2.4 - 5.1kg	4.4 - 9.6kg
325	1.0 - 2.8kg	2.1 - 4.6kg	4.0 - 8.8kg
350	0.9 - 2.6kg	2.1 - 4.2kg	3.7 - 8.1kg
375	0.9 - 2.3kg	1.9 - 3.8kg	3.5 - 7.5kg
400	0.8 - 2.1kg	1.7 - 3.6kg	3.2 - 7.0kg
425	0.7 - 1.9kg	1.5 - 3.4kg	2.9 - 6.5kg
450	0.6 - 1.7kg	1.4 - 3.2kg	2.7 - 6.1kg
Grey cover cap	372.91.901	✗ 372.91.902	✗ 372.91.903
Anthracite cover cap	372.91.941	✗ 372.91.942	✗ 372.91.943
Price* (MYR)	4,832.00	4,840.00	4,840.00

Set components complete with 1pc Free Flap with E-drive (left), 1pc Free Flap mechanical (right), 1pc cover cap for drive side (left), and 1pc cover cap for standard fitting (right), 2pcs front fixing bracket, 1pc driver, 1pc connection cable, 2pcs push button senders, 1pc plastic jig for push button sender and installation manuals.
Packing: 1 set

Stock Item Freight Item

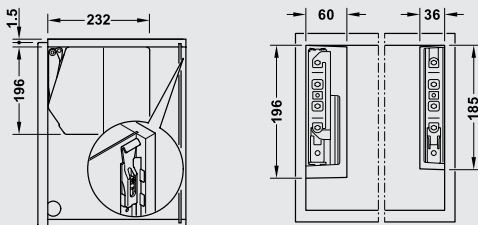
FREE FLAP 3.15 E STAY FLAP FITTING



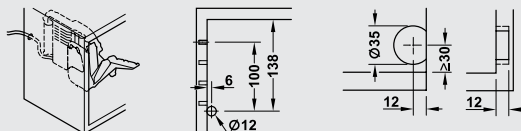
- > Material: Fitting: Steel, cover cap: Plastic, drive housing: Zinc alloy
- > Finish/colour: Fitting: Nickel plated, cover caps: Grey / Anthracite
- > For flap width: <1,200 mm (>1,200 mm = 2 sets)
- > Adjustment facility: Front panel: Height/side/tilting angle ± 1.5 mm
- > Input voltage: 100–240 V AC/50–60 Hz/1.3 A
- > Nominal voltage: 24 V DC/2.5 A
- > Output voltage: For interior cabinet lighting: 24 V DC/1.2 A
- > Stand-by consumption: 1 W
- > Radio frequency: 2.4 GHz
- > Protection class: II



Planning and space requirement



Push button sender and cable guide installation



Model	D	E	F	G
Door height mm	Door weight kg			
350	5.2 - 11.0	6.7 - 14.3	10.1 - 21.4	13.5 - 27.3
375	4.9 - 10.2	6.3 - 13.1	9.4 - 19.8	12.5 - 25.2
400	4.7 - 9.6	5.9 - 12.4	8.9 - 18.6	11.8 - 23.3
425	4.4 - 9.0	5.6 - 11.6	8.3 - 17.4	11.0 - 21.8
450	4.1 - 8.4	5.2 - 10.9	7.8 - 16.3	10.4 - 20.5
475	3.9 - 8.0	4.9 - 10.3	7.4 - 15.4	9.8 - 19.3
500	3.7 - 7.5	4.7 - 9.7	7.0 - 14.6	9.2 - 18.3
525	3.5 - 7.1	4.4 - 9.2	6.6 - 13.9	8.8 - 17.3
550	3.3 - 6.8	4.2 - 8.8	6.3 - 13.2	8.3 - 16.5
575	3.2 - 6.5	4.0 - 8.4	6.0 - 12.5	8.0 - 15.6
600	3.0 - 6.2	3.8 - 8.0	5.7 - 12.0	7.6 - 15.0
625	2.8 - 5.9	3.6 - 7.6	5.4 - 11.5	7.2 - 14.4
650	2.6 - 5.6	3.4 - 7.3	5.3 - 11.0	6.9 - 14.0
Grey cover cap	372.91.921	372.91.922	372.91.923	372.91.924
Anthracite cover cap	372.91.951	372.91.952	372.91.953	372.91.954
Price* (MYR)	4,900.00	4,900.00	4,910.00	4,910.00

Set components complete with 1piece Free Flap with E-drive (left), 1piece Free Flap mechanical (right), 1 pc cover cap for drive side (left), and 1pc cover cap for standard fitting (right), 2 pieces front fixing bracket, 1 piece driver, 1 piece connection cable, 2 pieces push button senders, 1 piece plastic jig for push button sender and installation manuals.
Packing: 1 set

Installation and programming



The e-drive drive unit sits on the left-hand fitting. The lead is simply inserted into the drive unit.



24 V interior cabinet lighting from the Loox product range can also be operated using the drive unit. The light switches on when the flap is opened.



The push button sender assigning and the programming of other functions take place via a switching button directly on the drive unit. All programming processes are accompanied and acknowledged by visual and acoustic system feedback.

Stock Item Freight Item

FREE FOLD E DOUBLE FLAP LIFT UP FITTING



- > Material: Fitting: Steel,
cover cap: Plastic,
drive housing: Zinc alloy
- > Finish/ colour: Fitting: Nickel plated
Cover caps: Grey/ Anthracite
- > For cabinet height: 370 - 800mm
- > For flap width: ≤ 1,200mm (>1,200mm = 2 sets)
- > Input voltage: 100-240 V AC/50-60 Hz/1.3 A
- > Nominal voltage: 24 V DC/2.5 A
- > Output voltage: For interior cabinet lighting:
24 V DC/1.2 A
- > Stand-by consumption: 1 W
- > Radio frequency: 2.4 GHz
- > Protection class: II



Door height KH mm	Door weight kg	Model	Grey cover cap	Anthracite cover cap	Price* (MYR)
520 - 590	4.8 - 9.8 kg	D3fo			
580 - 650	4.3 - 8.8 kg	E3fo			
650 - 730	3.9 - 7.9 kg	F3fo			
	5.8 - 11.6 kg	F4fo			
710 - 790	5.2 - 10.3 kg	G4fo			
	8.7 - 17.2 kg	G5fo			
770 - 840	4.9 - 9.8 kg	H4fo			
	8.0 - 15.5 kg	H5fo			
840 - 910	4.5 - 9.0 kg	I4fo			
	7.3 - 14.6kg	I5fo			
910 - 970	4.2 - 8.0kg	J4fo			
	6.8 - 13.5kg	J5fo			
960 - 1010	6.5 - 12.8kg	K5fo			
1000 - 1040	6.2 - 12.3kg	L5fo			

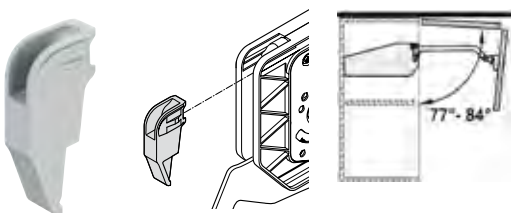
on request only

Set components complete with 1 piece Free fold with E-drive (left), 1 piece Free fold, mechanical (right), 1 piece cover cap for drive side (left), and 1 piece cover cap for standard fitting (right), 2 pieces front fixing bracket, 1 piece driver, 1 piece connection cable, 2 pieces push button senders, 1 piece plastic jig for push button sender, Packing: 1 set

Note: Use 3 hinges for flap widths > 900mm

	+		+		372.64.796 x 1		60.00
					329.17.600 x 1		
					329.71.503 x 1		



Packing: 1piece



- > For restricting the opening angle of the pair of doors to under 90°
- > Installation : For push fitting

Opening angle restraint	
Cat. No.	Price* (MYR)
372.37.060 	6.00

Packing: 1 set

 Stock Item  Freight Item

FREE SWING E LIFT UP FLAP FITTING



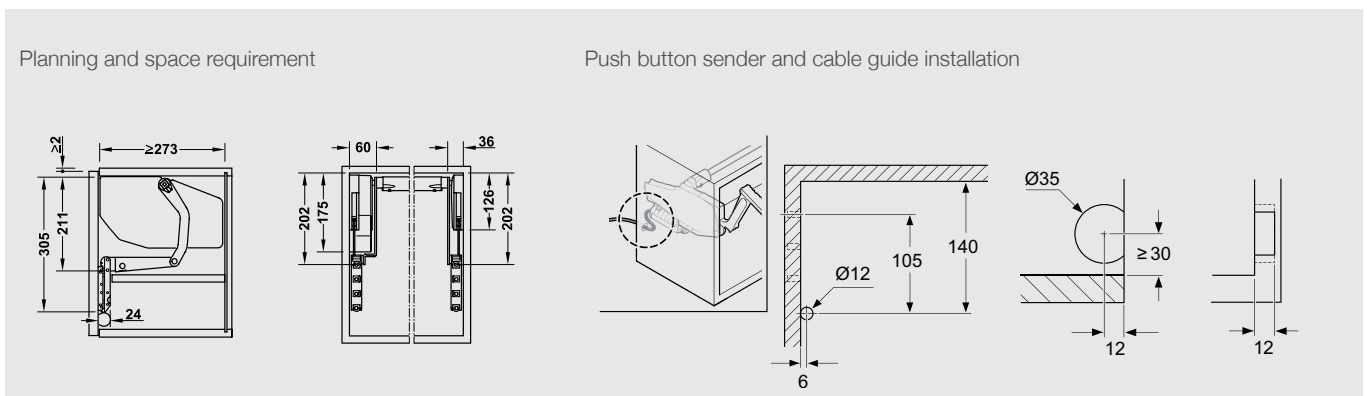
- > Material: Fitting: Steel, cover cap: Plastic, drive housing: Zinc alloy
- > Finish/colour: Fitting: Nickel plated, cover caps: Grey / Anthracite
- > For flap width: <1,200 mm (>1,200 mm = 2 sets)
- > Input voltage: 100–240 V AC/50–60 Hz/1.3 A
- > Nominal voltage: 24 V DC/2.5 A
- > Output voltage: For interior cabinet lighting: 24 V DC/1.2 A
- > Stand-by consumption: 1 W
- > Radio frequency: 2.4 GHz
- > Protection class: II



Model	S2sw E	S3sw E	S5sw E	S6sw E	S8sw E	S9sw E
Cabinet height mm	Flap weight kg					
500	2.5 - 5.9	-	5.0 - 10.0	-	8.2 - 15.9	-
550	2.5 - 5.6	-	4.8 - 9.6	-	7.8 - 15.2	-
600	2.5 - 5.3	-	4.7 - 9.3	-	7.5 - 14.5	-
670	2.5 - 4.8	3.2 - 6.5	4.5 - 8.8	5.7 - 11.3	7.0 - 13.5	8.5 - 17.1
700	-	3.1 - 6.3	-	5.6 - 11.1	-	8.4 - 16.7
750	-	3.0 - 6.0	-	5.4 - 10.7	-	8.2 - 16.0
800	-	2.9 - 5.7	-	5.3 - 10.3	-	8.0 - 15.3
Grey cover cap	372.34.902	✗ 372.34.903	✗ 372.34.905	✗ 372.34.906	✗ 372.34.908	✗ 372.34.909
Anthracite cover cap	372.34.922	✗ 372.34.923	✗ 372.34.925	✗ 372.34.926	✗ 372.34.928	✗ 372.34.929
Price* (MYR)	4,858.00	4,869.00	4,870.00	4,890.00	4,847.00	4,906.00

Set components complete with 1 piece Free swing with E-drive (left), 1 piece Free swing mechanical (right), 1 piece cover cap for drive side (left), and 1 piece cover cap for standard fitting (right), 2 pieces front fixing bracket, 1 piece driver, 1 piece connection cable, 2 pieces push button senders, 1 piece plastic jig for push button sender, 1 piece cross bar 1,074mm and installation manuals.

Packing: 1 set



Stock Item Freight Item

FREE UP E LIFT UP FRONT FITTING

2
YEARS

MADE IN
EUROPE



- > Material: Fitting: Steel, cover cap: Plastic, drive housing: Zinc alloy
- > Finish/colour: Fitting: Nickel plated, cover caps: Grey / Anthracite
- > For flap width: <1,200 mm (>1,200 mm = 2 sets)
- > Input voltage: 100–240 V AC/50–60 Hz/1.3 A
- > Nominal voltage: 24 V DC/2.5 A
- > Output voltage: For interior cabinet lighting: 24 V DC/1.2 A
- > Stand-by consumption: 1 W
- > Radio frequency: 2.4 GHz
- > Protection class: II



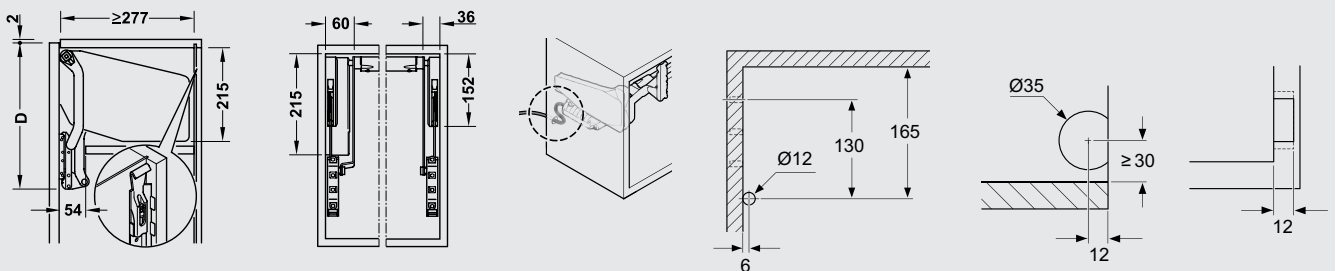
Door height KH mm	Door weight kg	Model	Grey cover cap		Anthracite cover cap		Price* (MYR)
345 - 420	2.4 - 4.8	P1us E	372.33.904	✘	372.33.944	✘	4,943.00
	4.1 - 8.0	P2us E	372.33.905	✘	372.33.945	✘	4,956.00
380 - 500	3.4 - 6.7	Q2us E	372.33.909	✘	372.33.949	✘	4,963.00
	6.3 - 11.8	Q3us E	372.33.910	✘	372.33.950	✘	4,979.00
430 - 600	5.0 - 9.7	R3us E	372.33.914	✘	372.33.954	✘	4,990.00
	7.4 - 14.6	R4us E	372.33.915	✘	372.33.955	✘	5,011.00

Set components complete with 1 piece Free up with E-drive (left), 1 piece Free up mechanical (right), 1 piece cover cap for drive side (left), and 1 piece cover cap for standard fitting (right), 2 pieces front fixing bracket, 1 piece driver, 1 piece connection cable, 2 pieces push button senders, 1 piece plastic jig for push button sender, 1 piece cross bar 1,074mm and installation manuals.

Packing: 1 set

Planning and space requirement

Push button sender and cable guide installation



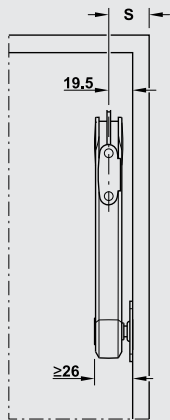
MAXI STAY FLAP FITTING



- > By changing the installation position and combining with the relevant accessories, all of the most popular stay flap applications and opening options can be realised with the Maxi, such as front panels with or without handle, aluminium frame and all-glass front panels, automatic opening as far as the end position, multi-position stop (flap locks in any position), extremely easy opening of heavy front panels, particularly wide and heavy front panels up to 50 kg or more
- > For one-sided or two-sided application (depends on the flap size and weight)
- > Holding power can be adjusted individually to suit flap weight
- > Can be used in combination with standard 110° concealed hinges (Push hinges for Push-to-open applications)

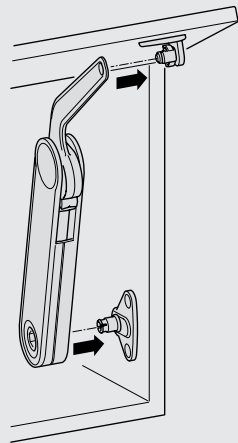
Maxi Stay flap fitting - one fitting for any application

Side space



Side distance
S = door overlay + 19.5 mm

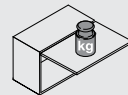
Quick fixing system



Fitting is simply clipped onto the pre-mounted fixing plates

Holding power adjustment

Holding power adjustment with SW10 Allen key (Cat. No. 235.79.301)



Note

Use position 1–8 for adjusting the holding power.
Use position 9–12 to re-adjust flap (if necessary)...

Adjustment facility for front panel



Height adjustment*



Side adjustment*



Tilt adjustment*

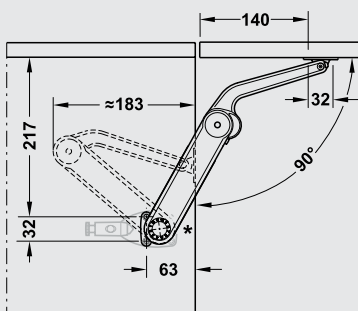
* depending on the concealed hinges that are used



Sample measurements

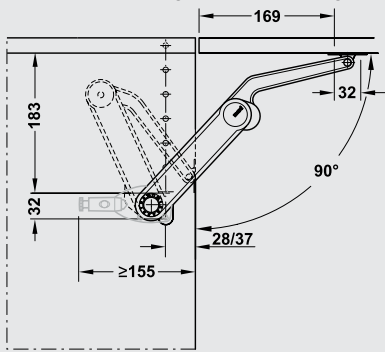
- > The following mounting dimensions and sample measurements tables for this kind of application must be adhered to
- > Use two Maxi fittings for flap widths from 600 mm and above
- > The weight specification applies to one Maxi fitting, flap weight values double when using two Maxi fittings.
- > For use in combination with concealed hinges with/without automatic closing spring
- > Soft closing provided by additional add-on damper (rather than the standard mounting bracket)

Maxi for power assisted opening of flap - Opening angle 90°



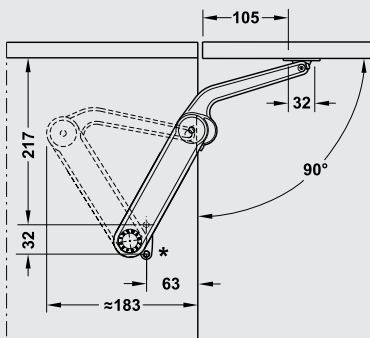
Cabinet height mm	Flap weight kg			
	☉ Model A	☉ Model B	☉ Model C	● Model D
300	2.7–5.1	5.0–8.5	8.0–12.0	9.0–15.0
400	2.1–3.5	4.5–6.7	5.8–11.2	7.2–13.5
500	1.6–2.6	3.5–5.5	4.5–8.8	6.0–11.0
600	1.3–2.2	2.7–4.3	3.9–7.7	4.8–8.5
700	1.2–2.0	2.5–3.7	3.2–6.4	4.2–7.6
800	–	2.4–3.4	3.0–5.4	3.5–6.7
900	–	–	2.7–5.2	3.0–6.0
1000	–	–	–	2.7–5.5

Maxi for extremely wide and heavy front panels - Opening angle 90°



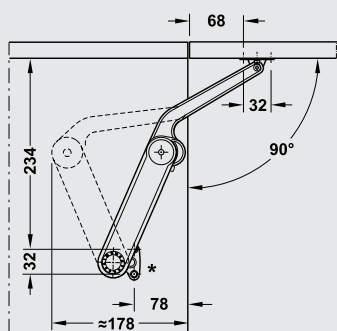
Cabinet height mm	Flap weight kg			
	☉ Model A	☉ Model B	☉ Model C	● Model D
300	3.0–5.3	5.1–10.2	9.1–15.8	11.9–20.8
400	2.3–4.0	3.8–7.6	6.9–11.9	8.9–15.6
500	1.8–3.2	3.1–6.1	5.5–9.6	7.2–12.5
600	1.5–2.7	2.6–5.1	4.6–7.9	6.0–10.4
700	1.3–2.2	2.1–4.2	3.8–6.6	4.9–8.7
800	1.1–2.0	1.9–3.9	3.4–5.9	4.4–7.8
900	1.0–1.8	1.7–3.4	3.0–5.2	3.9–6.9
1000	0.6–1.6	1.5–3.0	2.7–4.7	3.6–6.2

Maxi Touch Opening Mounting version for opening the flap slightly, with multi-position stop - Opening angle 90°

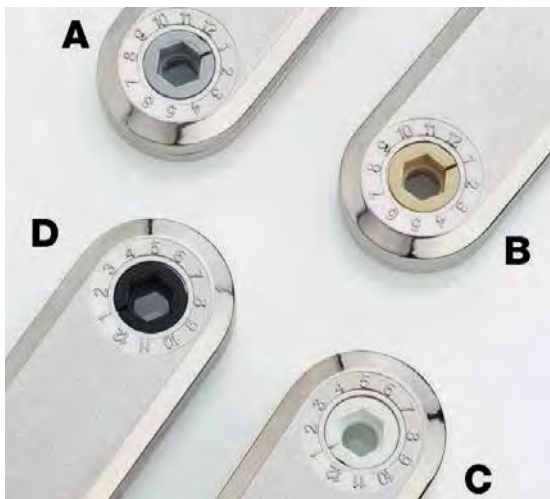


Cabinet height mm	Flap weight kg			
	☉ Model A	☉ Model B	☉ Model C	● Model D
300	2.0–3.5	3.3–6.7	6.0–10.3	7.8–13.6
400	1.5–2.6	2.5–5.0	5.5–7.8	5.8–10.2
500	1.2–2.1	2.0–4.0	3.6–6.3	4.7–8.2
600	1.0–1.8	1.7–3.3	3.0–5.2	3.9–6.8
700	0.9–1.4	1.4–2.7	2.5–4.3	3.2–5.7
800	0.7–1.3	1.2–2.6	2.2–3.9	2.9–5.1
900	0.7–1.2	1.1–2.2	2.0–3.4	2.6–4.5
1000	0.6–1.0	1.0–2.0	1.8–3.1	2.4–4.1

Maxi Push-to-open Mounting version for automatic complete opening - Opening angle 90°

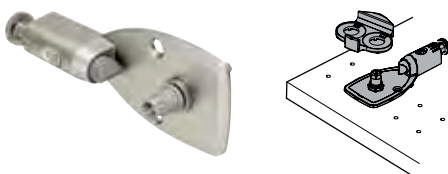


Cabinet height mm	Flap weight kg			
	☉ Model A	☉ Model B	☉ Model C	● Model D
300	1.7–2.4	3.1–4.6	3.8–7.0	5.8–9.8
400	–	2.4–3.7	3.1–5.5	4.2–7.1
500	–	1.6–2.9	2.6–4.5	3.4–5.8
600	–	1.5–2.4	2.1–3.6	2.9–4.8
700	–	1.2–2.1	1.5–3.2	2.5–4.0
800	–	–	1.3–2.9	2.2–3.8
900	–	–	1.1–2.6	1.9–3.3
1000	–	–	–	1.6–3.0

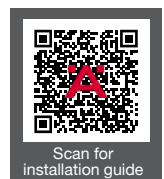


Differentiation criteris of the model versions

Colour-coded adjustment nut for differentiation between models A (grey), B (beige), C(white), D (black)



- > Material: Fitting: Zinc alloy, mounting and screw-on bracket: Steel cover cap for adjusting screw: Plastic
- > Finish: Nickel plated
- > Mounting: For left and right hand use
- > Installation: Without tools (clip system)
- > Adjustment facility: Holding power adjustment



Maxi flap fittings

Model	Cat. No.	Price* (MYR)
A	373.69.512	166.00
B	373.69.412	173.00
C	373.69.712	178.00
D	373.69.312	184.00

Set components complete with 1 piece flap stay, 1 piece mounting bracket for cabinet and 1 piece screw-on bracket for flap

Packing: 1 piece

Note: Use 2pcs Maxi fitting for flap widths from 600mm and above

Mxsi soft-closing mechanism

Finish	Cat. No.	Price* (MYR)
Nickel-plated	373.69.799	63.00

Packing: 1 piece

Stock Item Freight Item

DUO FOR SMALL PIECE FLAP DOOR



- > For flaps made from wood, glass or with aluminium frame
- > Suitable for flaps with handle or push-to-open function
- > Adjusting the arms (overshear) turns the lid stay into a flap stay
- > Less space required inside the cabinet
- > Wear-resistant friction coupling with large adjusting range
- > Can be used on one or both sides (depending on the flap size)
- > Holding power can be adjusted individually to suit flap weight
- > The soft closing function is provided in the closing direction in combination with 110° concealed hinges with soft closing mechanism (Push hinges for Push-to-open application)

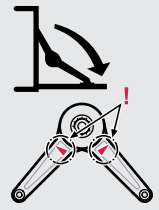


Application

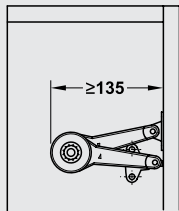
As lid stay



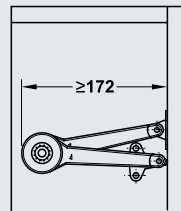
As flap stay



Minimum installation depth

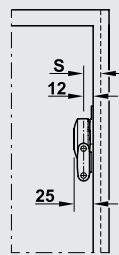


Duo standard



Duo forte

Space requirement side/side distance dim. (S) for screw-on bracket



$S = \text{door overlay} + 12 \text{ mm}$

Holding power adjustment

Holding power adjustment with SW4 Allen key (Cat. No. 008.28.241)



Duo Forte

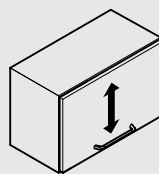
Stronger holding power

- = Locking function
- = Flap locks in any position (multi-position stop)

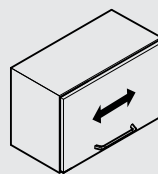
Weaker holding power

- = Braking function
- = Lid stay closes softly/ flap stay opens gently

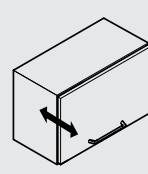
Adjustment facility for front panel



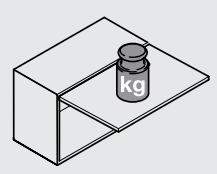
Height adjustment*



Side adjustment*



Tilt adjustment*



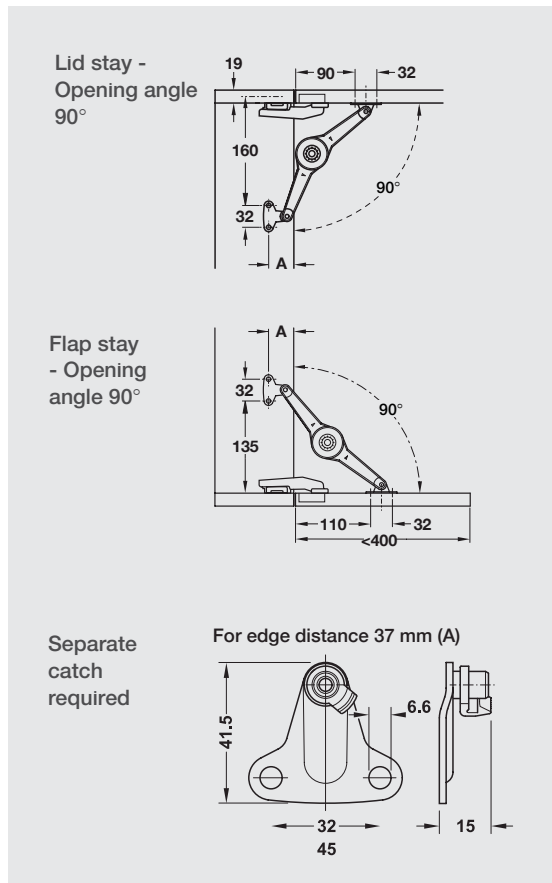
Holding power adjustment

* depending on the hinges that are used

DUO STANDARD



- > The following mounting dimensions and sample measurements tables for this kind of application must be adhered to
- > Use two Duo fittings for flap widths from 600 mm and above
- > For use in combination with 110° concealed hinges with automatic closing spring or integrated soft closing mechanism

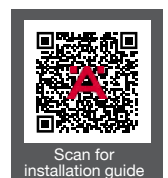


Installation as Lid stay				
Flap height (mm)	Flap weight (kg)			
	Locking function		Braking function	
	1 stay	2 stays	1 stay	2 stays
250	6.0	12.0	7.5	15.0
300	5.0	10.0	6.5	13.0
350	4.5	8.5	5.5	11.0
400	4.0	7.0	5.0	10.0
450	3.5	6.5	4.5	8.5

Installation as flap stay (use 2 fittings)		
Flap height (mm)	Flap weight (kg)	
	Locking function	Braking function
	2 fittings	2 fittings
200	15.0	15.0
250	12.0	15.0
300	10.0	13.0
350	8.5	11.0
400	7.0	10.0



- > Material: Zinc alloy
- > Mounting: For left and right hand use
- > Installation: Without tools (clip system) onto pre-mounted mounting bracket
- > Adjustment facility: Holding power adjustment



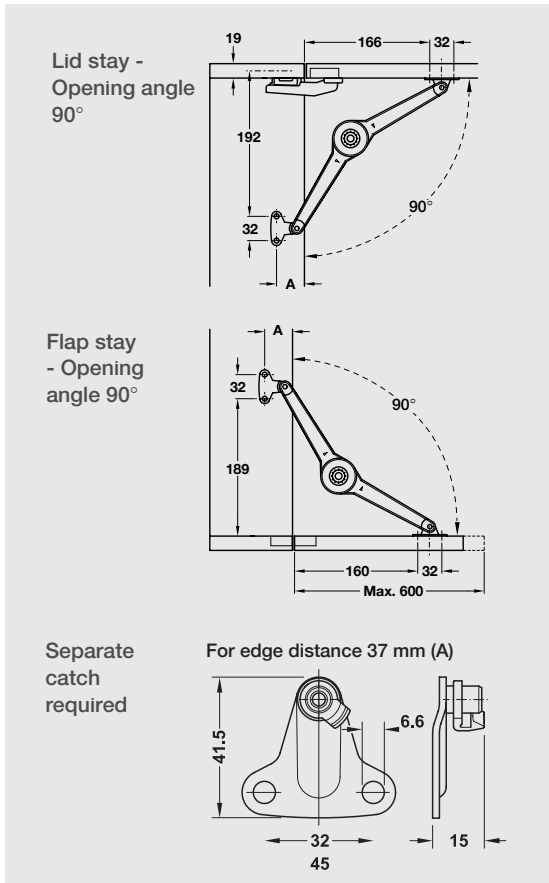
Finish	Cat. No.	Price* (MYR)
Nickel-plated	373.66.612	52.00

Set components complete with 1 piece lid stay, 1 piece mounting bracket for cabinet and 1 piece screw-on bracket for flap
 Packing: 1 piece

DUO FORTE



- > The following mounting dimensions and sample measurements tables for this kind of application must be adhered to
- > Use two Duo fittings for flap widths from 600 mm and above
- > For use in combination with 110° concealed hinges with automatic closing spring or integrated soft closing mechanism

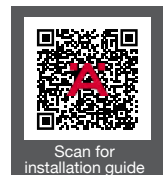


Installation as Lid stay				
Flap height (mm)	Flap weight (kg)		Braking function	
	Locking function		Braking function	
	1 stay	2 stays	1 stay	2 stays
300	7.5	15.0	9.0	15.0
350	6.5	13.5	8.0	15.0
400	6.0	12.0	7.5	15.0
450	5.5	11.0	7.0	14.0
500	5.0	9.5	6.0	12.0
550	4.5	8.5	5.5	11.0
600	4.0	8.0	5.0	10.0
650	3.5	7.0	5.0	9.5
700	3.0	7.0	4.0	9.0

Installation as flap stay (use 2 fittings)		
Flap height (mm)	Flap weight (kg)	
	Locking function	Braking function
	2 fittings	2 fittings
300	15.0	15.0
350	13.5	15.0
400	12.0	15.0
450	11.0	14.0
500	9.5	12.0
550	8.5	11.0
600	8.0	10.0



- > Material: Zinc alloy
- > Finish: Nickel plated
- > Mounting: For left and right hand use
- > Installation: Without tools (clip system) onto pre-mounted mounting bracket
- > Adjustment facility: Holding power adjustment



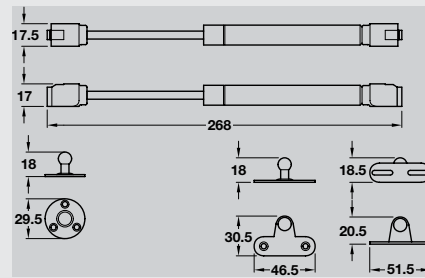
Finish	Cat. No.	Price* (MYR)
Nickel-plated	373.66.632	82.00

Set components complete with 1 piece lid stay, 1 piece mounting bracket for cabinet and 1 piece screw-on bracket for flap
 Packing: 1 piece

GAS-FILLED LID STAY



- > Material: Steel
- > Finish: Nickel plated
- > Opening angles: 75°, 90°, or 110°
- > For pneumatic support
- > Clip-mounting on pre-mounted screw fixing brackets, no tools required
- > Suitable for wooden and aluminium frame doors (choice of bracket supplied)

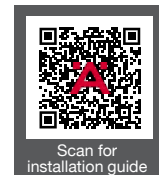
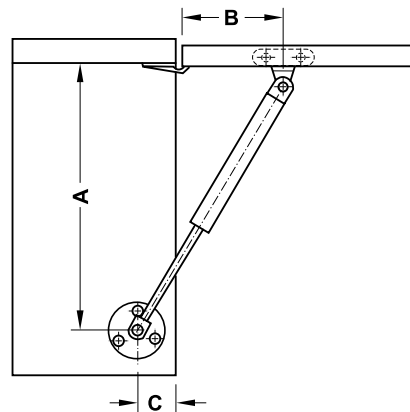


Sample measurements table

max. lid weight (kg) with 75° application				
Spring force N	Lid height mm			
	300	400	500	600
60	2.0	1.5	1.2	1.0
80	2.7	2.0	1.6	1.4
100	3.4	2.6	2.0	1.8
120	4.1	3.1	2.5	2.0
150	4.7	3.5	2.9	2.4

max. lid weight (kg) with 90° application				
Spring force N	Lid height mm			
	300	400	500	600
60	1.8	1.3	1.1	0.9
80	2.4	1.8	1.4	1.2
100	3.0	2.2	1.8	1.5
120	3.6	2.7	2.1	1.8
150	4.7	3.2	2.3	2.1

max. lid weight (kg) with 110° application				
Spring force N	Lid height mm			
	300	400	500	600
60	1.6	1.2	0.9	0.8
80	2.1	1.6	1.2	1.0
100	2.6	1.9	1.6	1.3
120	3.1	2.3	1.9	1.6
150	3.5	2.6	2.2	1.9



Opening angle	Dim. mm		
	A	B	C
75°	260	80	25
90°	238	80	25
110°	215	70	25

Finish	Cat. No.		Price* (MYR)
60	373.82.001	✘	8.00
80	373.82.002	✘	8.00
100	373.82.003	✔	8.00
120	373.82.004	✔	8.00
150	373.82.005	✔	8.00

1 piece complete with 1 piece gas-filled lid stay, 1 piece mounting bracket for cabinet, 1 piece mounting bracket for wooden lids, 1 piece mounting bracket for lids with aluminium frame, fixing material and installation instructions.

Packing: 1, 10 or 100 pieces

Note
 The sample measurements tables apply to one gas-filled lid stay.
 The load bearing capacity doubles when using 2 gas-filled lid stays.
 It is recommended to use 2 gas-filled lid stays for parallel and synchronized opening action of large lids.

FLAP STAY WITH PULL CABLE



- > Material: Fitting and cover caps: Plastic, front fixing bracket: Zinc alloy
- > Finish/colour: Front fixing bracket: Nickel plated, cover caps: Grey or black
- > Dim.(W x H x L) : With horizontal installation: 26 x 68 x 160 mm
- > Internal cabinet depth: Min. 180 mm (horizontal), Min. 82 mm (vertical)
- > For flap height: 210–480 mm
- > Flap weight: Max. 9 kg
- > Installation: For screw fixing with Euro screws
- > Opening angle adjustable
- > No time-consuming cabinet processing required
- > For horizontal or vertical use (extremely little space requirement inside the cabinet)
- > For right/left hand use

Planning and installation

Horizontal installation

Vertical installation

U	V	W	X	U	X
210–270	≥ 173	135	127 + Z	230–480	123 + Z
270–480	≥ 186	148	144 + Z		

Adjustment

Opening angle adjustment

Note
Ease door weight during adjustment.

Front fixing

U = flap height
 V = internal cabinet height
 W = drill hole height
 X = centre of front fixing
 Y = lateral flap overlay dim.
 Z = bottom flap overlay dim.

Application for front panels without handles (Push to open)

This fitting is suitable for use with front panels without handles with one or two door catches.

X mm	
≤ 800	1 piece
> 800	2 pieces

Refer to Push Pin 356.12.517 page 128

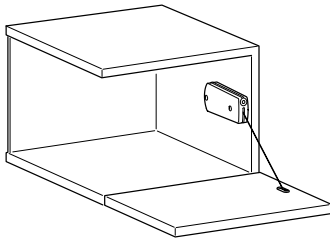
Position of the door catch

<800

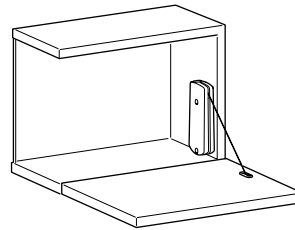
>1000

Sample measurements tables for choosing the correct model

Horizontal installation



Vertical installation



Flap height mm	Flap hinge				Concealed hinge					
	Flap weight kg	Model*				Flap weight kg	Model*			
210–270	1.7–3	1				3.9–4.5	2			
	3.1–4		1			7.5–8		2		
	4.6–5.3			1		8.0–8.5			2	
	5.1–6				1	–				–
270–330	1.7–3	1				3.3–4.5	2			
	3.1–4		1			6.1–7.4		2		
	4.0–5.1			1		7.5–8.2			2	
	4.4–6				1	7.5–8.5				2
330–380	1.7–1.9	1				3.2–3.5	2			
	2.9–3.5		1			5.1–6.8		2		
	3.6–4.3			1		6.8–7.5			2	
	4.0–5.5				1	7.5–8				2
380–430	1.5–1.8	1				2.7–3.3	2			
	2.5–3.3		1			4.8–6.6		2		
	3.3–3.8			1		6.8–7.2			2	
	3.6–4.7				1	7.3–8				2
430–460	1.2–1.7	1				2.5–3.1	2			
	2.3–3.3		1			4.6–6		2		
	3.2–3.5			1		6.1–7			2	
	3.5–4.5				1	7.1–8				2
460–480	–	–				–	–			
	2.2–2.8		1			4.4–5.3		2		
	2.8–3.2			1		5.5–6.5			2	
	3.3–4.3				1	6.6–7.5				2

* The specified number refers to the number of required flap stays with pull cable.

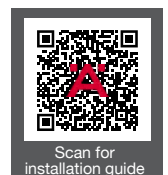
Flap height mm	Flap hinge				Concealed hinge					
	Flap weight kg	Model*				Flap weight kg	Model*			
210–270	2.5–3.8	1				4.3–5.6	2			
	3.9–4.9		1			–		–		
	5.7–6.5			1		–			–	
	–				–	–				–
270–330	2.3–3.1	1				4.2–5	2			
	3.2–4.1		1			7.0–7.5		2		
	4.2–5.5			1		7.6–9.0			2	
	5.5–5.9				1	–				–
330–380	1.8–2.6	1				3.4–3.9	2			
	3.0–3.8		1			5.6–6.5		2		
	3.8–4.7			1		7.5–8.3			2	
	4.4–5.5				1	8.3–9.0				2
380–430	1.7–2.3	1				2.9–4.2	2			
	2.8–3.5		1			4.7–6.2		2		
	3.5–4.3			1		7.2–7.7			2	
	4.3–4.6				1	7.3–8.5				2
430–460	1.5–2.0	1				3.1–4.0	2			
	2.5–3.2		1			4.4–6.1		2		
	3.3–4			1		6.2–7.5			2	
	3.6–4.3				1	6.8–8.3				2
460–480	–	–				2.8–3.8	2			
	2.3–2.6		1			4.1–5.8		2		
	3.2–3.6			1		6.0–7.2			2	
	3.3–4.0				1	6.3–7.5				2

Model	Grey cover caps	Black cover caps	Price* (MYR)
A, 40N	365.48.510	✗ 365.48.310	✗ 161.00
B, 60N	365.48.511	✗ 365.48.311	✗ 161.00
C, 100N	365.48.512	✗ 365.48.312	✗ 161.00
D, 140N	365.48.513	✗ 365.48.313	✗ 161.00

Set components complete with 1 piece flap stay with front fixing bracket and fixing material
Packing: 1 or 10 sets

Order reference

We recommend using the flap hinge Cat. No. 342.66.730 for this flap stay with pull cable.
Refer to page 121



Scan for installation guide

Stock Item

Freight Item





FURNITURE HINGES

We have a wide range of hinges for all kinds of doors and applications in a choice of materials, finishes and types, sourced from across the globe. Whatever type of door hinge you're looking for, you'll find it at Häfele.

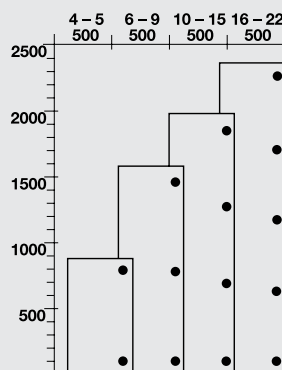
METALLA SM CONCEALED HINGES

With or without integrated soft close in hinge arm

- > Hinges with or without integrated soft close can be used in combination on one door
- > Door installation with time-saving quick fixing system
- > Convenient 3-dimensional adjustment of gap pattern via eccentric (with appropriate mounting plate)
- > Soft close action starts already at an opening angle of 40°
- > Robust, low temperature resistant damper element
- > Drilling patterns 45/9.5, 48/6 and 52/5.5

Number of concealed hinges per door

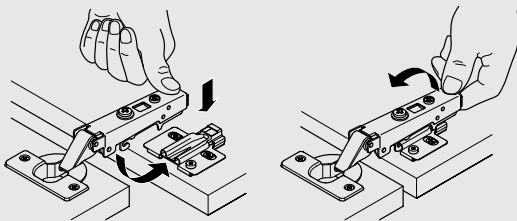
- > The values in the table are sample measurements.
- > Trial mounting is recommended.
- > The number of concealed hinges per door depends on:
 - Door width and height
 - Door weight
 - Door material



According to the example diagram, three concealed hinges have to be fitted with a door height of 1,600 mm and a door weight of 6 - 9 kg.

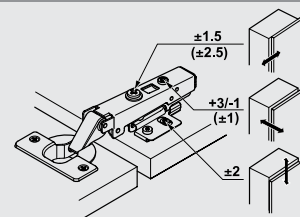


Mounting door to cabinet



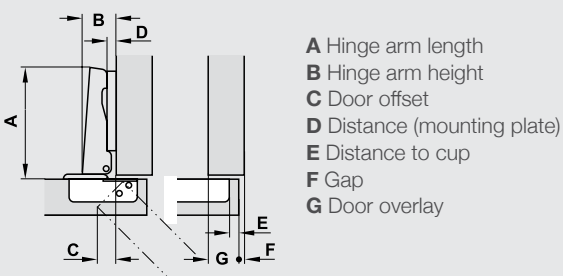
Quick fixing system

Adjustment facilities

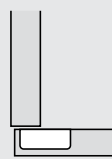


Values in brackets apply to Metalla SM

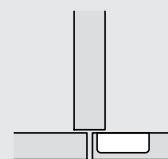
Mounting



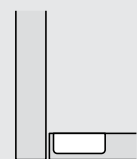
Mounting options



Full overlay mounting
Concealed hinge with straight arm

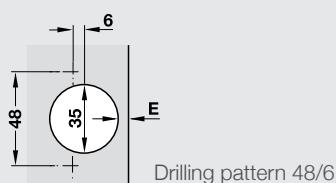


Half overlay mounting
Concealed hinge with cranked arm

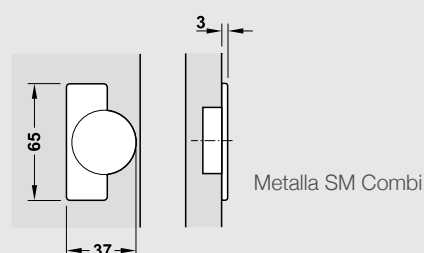


Inset mounting
Concealed hinge with high cranked arm

Drilling patterns for cup fixing



Cup dimensions



Metalla SM 110°



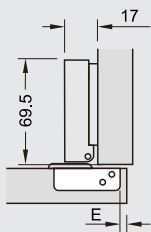
- > Material: Steel cup and hinge arm
- > Finish: Nickel plated
- > Cup fixing: For screw fixing
- > Installation: Door to cabinet with SM quick fixing system
- > Drilling depth: Hinge cup 12mm
- > Adjustment facility: Side adjustment ± 2 mm, height adjustment +2mm (via mounting plate), depth adjustment ± 3 mm



With integrated soft close



Full overlay mounting



Door overlay mm									
11	12	13	14	15	16	17	18	19	
				3	4	5	6	7	0
		3	4	5	6	7			
3	4	5	6	7					
Distance to cup E mm					Mounting plate distance mm				

Item description	Cat.No.	Price* (MYR)
110° Concealed hinge	315.00.750	6.73
H=0 Mounting plate	315.98.650	1.33

Set components complete with 1 piece concealed hinge and 1 piece H=0mm mounting plate
Packing: 1 or 200 pieces

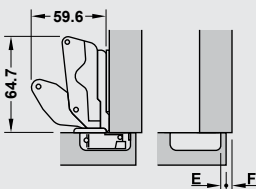


- > Material: Zinc cup and steel hinge arm
- > Finish: Nickel plated
- > Cup fixing: For screw fixing
- > Installation: Door to cabinet with SM quick fixing system
- > Drilling depth: Hinge cup 12mm
- > For door thickness: 14 - 20mm
- > Adjustment facility: Side adjustment -5 mm, height adjustment ± 2 mm (via mounting plate), depth adjustment +3 mm

With integrated soft close



Full overlay mounting



Door overlay mm									
13	14	15	16	17	18	19	20	21	
				3	4	5	6	7	0
Distance to cup E mm					Mounting plate distance mm				

Item description	Cat.No.	Price* (MYR)
165° Concealed hinge	315.02.750	16.80
H=0 Mounting plate	315.98.650	1.33

Set components complete with 1 piece concealed hinge and 1 piece H=0mm mounting plate
Packing: 1 or 50 pieces

Metalla SM 110°

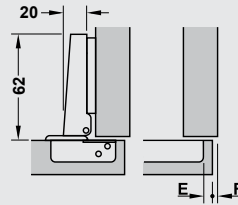
5 YEARS



With integrated soft close




Full overlay mounting



Door overlay mm									
13	14	15	16	17	18	19	20	21	
				3	4	5	6	7	0
Distance to cup E mm					Mounting plate distance mm				

- > Material: Steel cup and hinge arm
- > Finish: Black nickel plated
- > Cup fixing: For screw fixing
- > Installation: Door to cabinet with SM quick fixing system
- > Drilling depth: Hinge cup 12mm
- > Adjustment facility: Side adjustment ± 2.5 mm, height adjustment +2mm (via mounting plate), depth adjustment ± 2 mm
- > Door thickness: 14 - 26mm
- > With automatic closing spring

Cup fixing	Cat.No.	Price* (MYR)
For screw fixing	315.07.057 	11.20

Set components complete with 1 piece concealed hinge, 1 piece H=0 mounting plate, 1 piece cup cover cap, 1 piece arm cover cap with Hafele logo and 4 pieces screws
Packing: 1 set

Metalla SM 165°

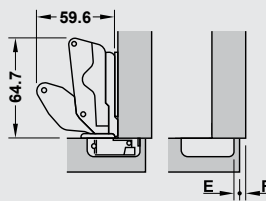
5 YEARS



With integrated soft close



Full overlay mounting



Door overlay mm									
13	14	15	16	17	18	19	20	21	
				3	4	5	6	7	0
Distance to cup E mm					Mounting plate distance mm				

- > Material: Zinc cup and steel hinge arm
- > Finish: Black nickel plated
- > Cup fixing: For screw fixing
- > Installation: Door to cabinet with SM quick fixing system
- > Drilling depth: Hinge cup 12mm
- > For door thickness: 14 - 20mm
- > Adjustment facility: Side adjustment -5 mm, height adjustment ± 2 mm (via mounting plate), depth adjustment +3 mm

Cup fixing	Cat.No.	Price* (MYR)
For screw fixing	315.07.058 	21.00

Set components complete with 1 piece concealed hinge, 1 piece H=0 mounting plate and 4 pieces screws
Packing: 1 set



Metalla SM 110°

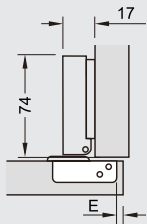


SUS 304

smuso

- > Material: Stainless steel cup and hinge arm
- > Finish: Polished
- > Cup fixing: For screw fixing
- > Installation: Door to cabinet with SM quick fixing system
- > Drilling depth: Hinge cup 12mm
- > Adjustment facility: Side adjustment ± 2.5 mm, height adjustment +2mm (via mounting plate), depth adjustment ± 2 mm
- > Door thickness: 14 - 22mm
- > With automatic closing spring

Full overlay mounting



Door overlay mm									
11	12	13	14	15	16	17	18	19	
				3	4	5	6	7	0
Distance to cup E mm					Mounting plate distance mm				

With integrated soft close



Cat.No.	Price* (MYR)
315.06.757	29.40

Set components complete with 2 pieces SUS 304 concealed hinge, 2 pieces SUS 304 H=0 mounting plate and 8 pieces SUS 304 wood screws 4 x 15mm
Packing: 2 pieces

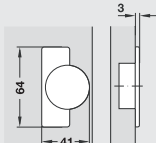
Metalla SM 95°



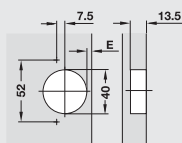
smuso

- > Material: Steel cup and hinge arm
- > Finish: Nickel plated
- > Cup fixing: For screw fixing
- > Installation: Door to cabinet with SM quick fixing system
- > Drilling depth: Hinge cup 13.5mm
- > For door thickness: 18 - 32mm
- > Adjustment facility: Side adjustment ± 2 mm, height adjustment +2mm (via mounting plate), depth adjustment ± 2 mm
- > With automatic closing spring

Drilling pattern



Cup dimensions



Door overlay mm						
21	22	23	24	25		
3	4	5	6	7	0	
Distance to cup E mm				Mounting plate distance mm		

Cat.No.	Price* (MYR)
315.07.007	11.60

Set components complete with 1pc concealed hinge, 1pc H=0 mounting plate and 1pc cover cap with Hafele logo
Packing: 1 piece

With integrated soft close



Metalla SM 110°

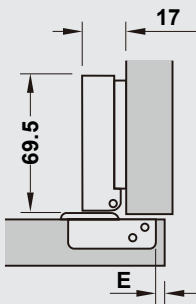


- > Material: Steel cup and hinge arm
- > Finish: Nickel plated
- > Cup fixing: For screw fixing
- > Installation: Door to cabinet with SM quick fixing system
- > Drilling depth: Hinge cup 12mm
- > Adjustment facility: Side adjustment ± 3 mm, height adjustment +2mm (via mounting plate), depth adjustment ± 2 mm

With integrated soft close



Full overlay mounting

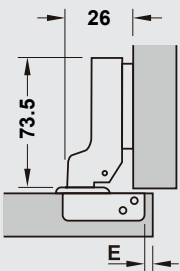


Door overlay mm									
10	11	12	13	14	15	16	17	18	
				3	4	5	6	7	0
Distance to cup E mm					Mounting plate distance mm				

Cat.No.	Price* (MYR)
334.01.020	5.80

Set components complete with 1 piece concealed hinge, 1 piece H=0mm mounting plate and 1 piece cover cap with Häfele logo
Packing: 1 or 250 sets

Half overlay mounting

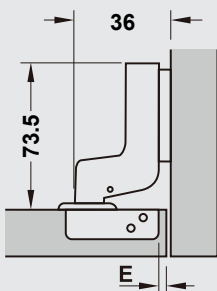


Door overlay mm									
1	2	3	4	5	6	7	8	9	
				3	4	5	6	7	0
Distance to cup E mm					Mounting plate distance mm				

Cat.No.	Price* (MYR)
334.11.020	6.00

Set components complete with 1 piece concealed hinge, 1 piece H=0mm mounting plate and 1 piece cover cap with Häfele logo
Packing: 1 or 250 sets

Inset mounting



Door overlay mm									
-8	-7	-6	-5	-4	-3	-2	-1	0	
				3	4	5	6	7	0
Distance to cup E mm					Mounting plate distance mm				

Cat.No.	Price* (MYR)
334.21.020	6.30

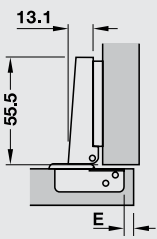
Set components complete with 1 piece concealed hinge, 1 piece H=0mm mounting plate and 1 piece cover cap with Häfele logo
Packing: 1 or 250 sets

Metalla SM 110°



- > Material: Steel cup and hinge arm
- > Finish: Nickel plated
- > Cup fixing: For screw fixing
- > Installation: Door to cabinet with slide-on system
- > Drilling depth: Hinge cup 11.5mm
- > Adjustment facility: Side adjustment ±2.5 mm, height adjustment +2mm (via mounting plate), depth adjustment ±2 mm
- > Door thickness: 16 - 22mm
- > With automatic closing spring

Full overlay mounting

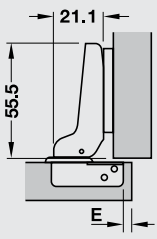


Door overlay mm											
9	10	11	12	13	14	15	16	17	18	19	
						3	4	5	6	7	-2
				3	4	5	6	7			0
		3	4	5	6	7					1
3	4	5	6	7							2
Distance to cup E mm					Mounting plate distance mm						

Cup fixing	Cat.No.	Price* (MYR)
110° Full overlay	311.90.500	1.56
Concealed hinge		

Packing: 250 pieces

Half overlay mounting

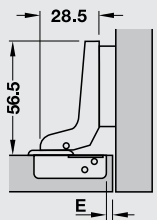


Door overlay mm											
1	2	3	4	5	6	7	8	9	10	11	
						3	4	5	6	7	-2
				3	4	5	6	7			0
		3	4	5	6	7					1
3	4	5	6	7							2
Distance to cup E mm					Mounting plate distance mm						

Cup fixing	Cat.No.	Price* (MYR)
110° half overlay	311.90.501	2.75
concealed hinge		

Packing: 250 pieces

Inset mounting



Door overlay mm											
-8	-7	-6	-5	-4	-3	-2	-1	0	1	2	
						3	4	5	6	7	-2
				3	4	5	6	7			0
		3	4	5	6	7					1
3	4	5	6	7							2
Distance to cup E mm					Mounting plate distance mm						

Cup fixing	Cat.No.	Price* (MYR)
110° inset concealed	311.90.502	2.80
hinge		

Packing: 250 pieces

Mounting plate



Mounting plate with 4 screw holes



Mounting plate with 2 screw holes

Mounting plate	Cat.No.	Price* (MYR)
H=-2 Mounting plate with 2 screw holes	311.98.505	0.60
H=0 Mounting plate with 2 screw holes	311.98.500	1.00
H=2 Mounting plate with 2 screw holes	311.98.502	1.00
H=4 Mounting plate with 2 screw holes	311.98.504	1.00
H=-2 Mounting plate with 4 screw holes	311.98.565	0.90

Packing: 250 pieces

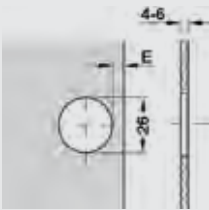
Stock Item Freight Item

METALLA MINI A 95° FOR GLASS DOORS

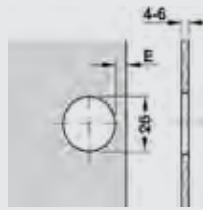


- > Material: Plastic cup, steel hinge arm
- > Finish: Black cup, nickel plated hinge arm
- > Cup fixing: For screw fixing
- > Installation: Door to cabinet with slide-on system
- > For glass thickness: 4 - 6mm
- > Adjustment facility: Side adjustment ± 2.5 mm, height adjustment ± 2 mm (via mounting plate), depth adjustment ± 2 mm
- > With automatic closing spring

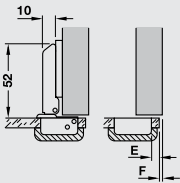
Installation dimensions



Drilling pattern for cup fixing



Full overlay mounting

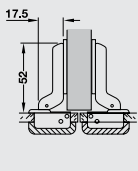


Door overlay mm										
11.5	12.5	13.5	14.5	15.5	16.5	17.5	18.5	19.5		
				3	4	5	6	0	0	
		3	4	5	6					2
Distance to cup E mm					Mounting plate distance mm					

Cat.No.	Price* (MYR)
311.42.500	2.40

Packing: 250 pieces

Half overlay mounting

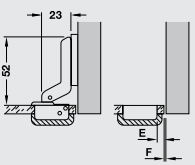


Door overlay mm										
1.5	2.5	3.5	4.5	5.5	6.5	7.5	8.5	9.5		
				3	4	5	6			0
		3	4	5	6					2
Distance to cup E mm					Mounting plate distance mm					

Cat.No.	Price* (MYR)
311.42.501	2.50

Packing: 250 pieces

Inset mounting



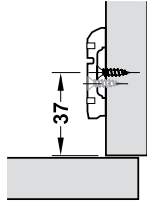
Door overlay mm										
-6.5	-5.5	-4.5	-3.5	-2.5	-1.5	-0.5	0.5	1.5		
				3	4	5	6			0
		3	4	5	6					2
Distance to cup E mm					Mounting plate distance mm					

Cat.No.	Price* (MYR)
311.42.502	2.60

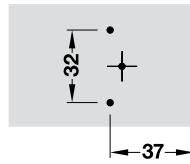
Packing: 250 pieces

METALLA MINI A 95°
FOR GLASS DOORS

Accessories for METALLA Mini A Concealed hinge



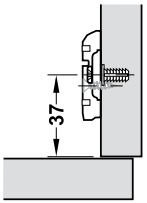
Drilling pattern



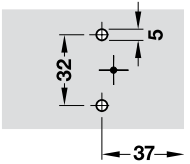
Mounting plate for screw fixing with chipboard screw			
Distance D mm	Cat.No.		Price* (MYR)
0	311.51.520	✘	1.00
2	311.51.522	✘	0.70

Packing: 250 pieces

Mounting plate for screw fixing with Euro screws

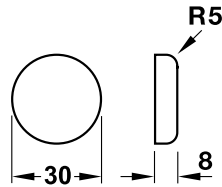
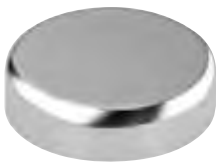


Drilling pattern



Edge distance 37mm			
Distance D mm	Screw length mm	Cat.No.	Price* (MYR)
0	11	311.51.511	✘ 0.80
2		311.51.513	✘ 2.00

Packing: 250 pieces



Cup cover cap			
Finish	Cat.No.		Price* (MYR)
Aluminium coloured	311.43.200	✘	3.00
Chrome coloured	311.43.210	✘	4.00
Black coloured	311.43.300	🏠	2.10

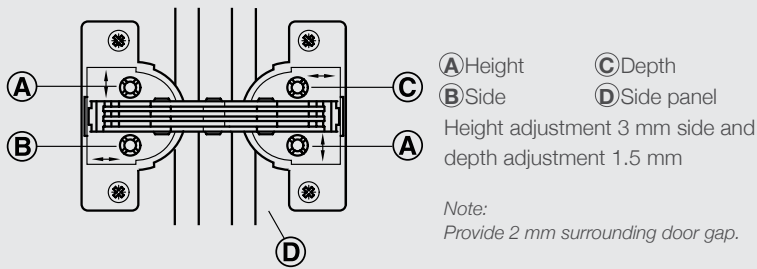
Packing: 250 pieces

GS 45 MITRED HINGES FOR 45°MITRE APPLICATION

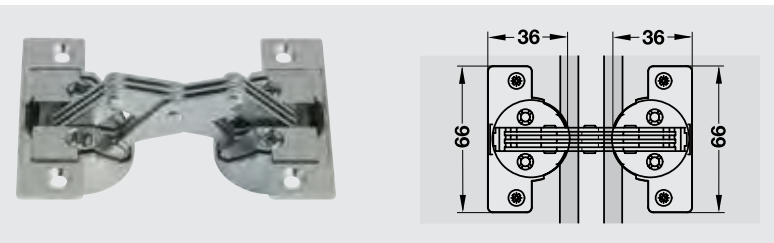
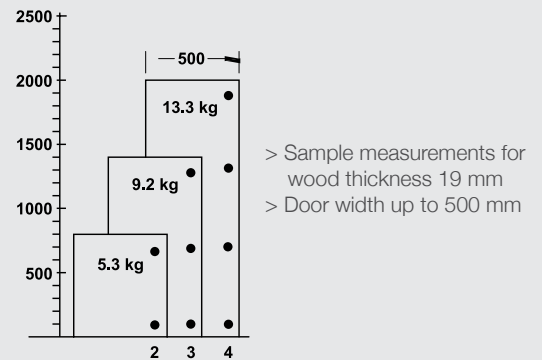


- > Material: Zinc alloy cup, steel hinge arm
- > Finish: Nickel plated
- > For door thickness: 16 - 22mm
- > Side panel thickness: 16 - 20mm, from 20mm and above the edge has to be chamfered by 3mm
- > Adjustment facility: 3-dimensional
- > Installation: For screw fixing

Adjustment facility



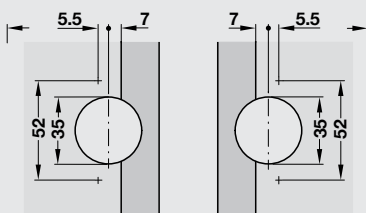
Number of hinges per door



Opening angle	Cat.No.	Price* (MYR)
135°	325.00.708	103.00

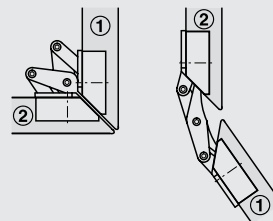
Packing: 1 or 20 pieces

Drilling pattern for 45 mitre cut



Mounting

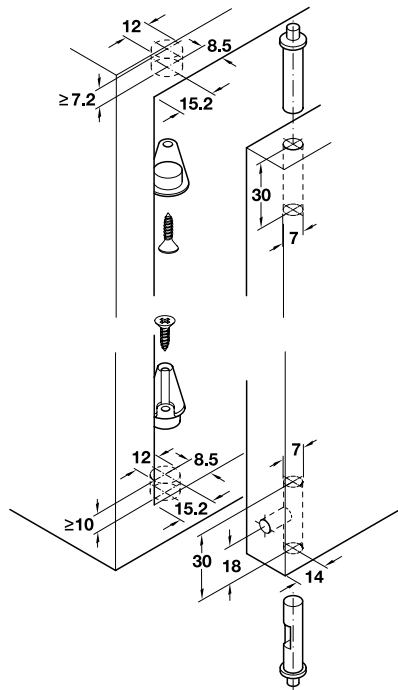
- ① Door
- ② Side panel



Door closed Door open



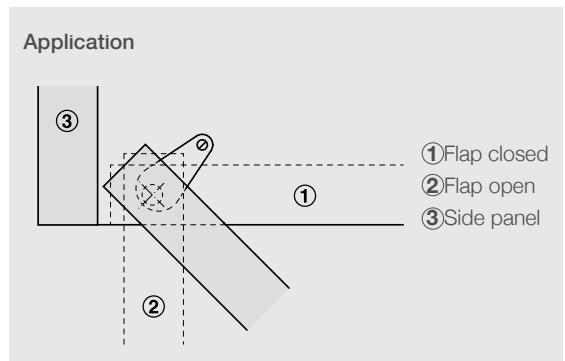
PIVOT HINGE



- > Opening angle: 140°
- > Material: Plastic
- > For door thickness: 12 - 21mm
- > Opening angle restraint: Without stop
- > Installation: For press fitting

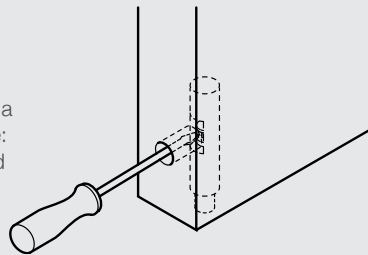
Colour	Cat.No.		Price* (MYR)
White	361.22.710		4.00
Brown	361.22.110		4.00
Black	361.22.310		5.00

Packing: 20 or 200 pairs

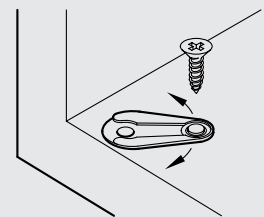


Functionality

Removing the door:
Lift the spring loaded pin with a small screwdriver. Prerequisite: Drilled hole in door and slotted hole in sleeve must be in alignment.

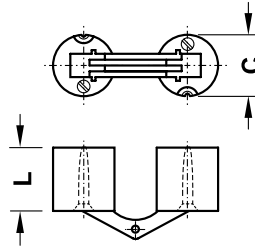


Setting the door gap:
Widen or reduce door gap by turning the flange. Fix adjusted door gap with a small chipboard screw.



ZYSA HINGE

FOR WOOD THICKNESS 14-40MM

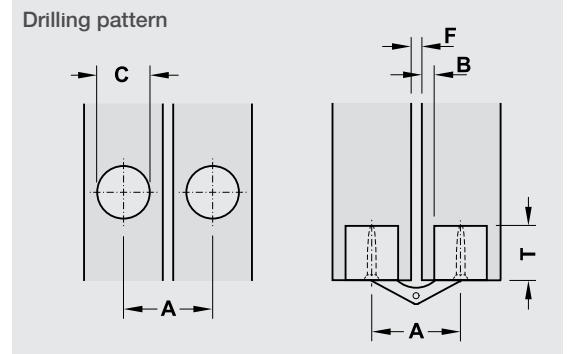


- > Opening angle: 180°
- > Material: Brass
- > Finish: Matt
- > Mounting: For right and left hand use
- > Installation: For screw fixing

For wood thickness mm	Cat.No.		Price* (MYR)
14 - 19	341.22.506	✈	20.00
17 - 22	341.23.503	✈	18.00
20 - 26	341.13.507	🏠	17.80
22 - 28	341.11.503	✈	22.00
24 - 32	341.12.500	✈	27.00
31 - 40	341.14.504	✈	47.00

Packing: 1, 12, 24 or 48 pieces

Application and planning dimensions						
For wood thickness mm	14-19	17-22	20-26	22-28	24-32	31-40
Screw Ø mm	2.5	3.0	3.5	3.5	4.0	4.5
Length L mm	11.0	13.5	15.5	16.5	17.5	25.0
Drill bit Ø mm	10.0	12.0	14.0	16.0	18.0	24.0
Drilling depth T mm	11.0	13.5	15.5	16.5	17.5	25.0
Dim. A mm	16.5	20.0	23.0	25.0	27.0	36.5
Dim. B mm	2.0	2.2	3.0	3.0	3.0	3.5
Gap F mm	2.5	3.5	3.0	3.0	3.0	3.5

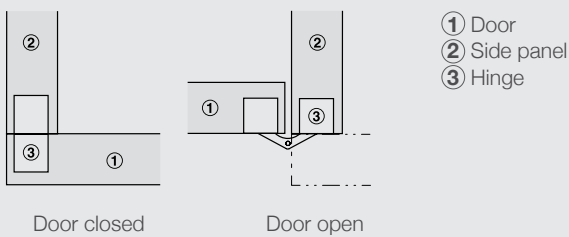


Installation

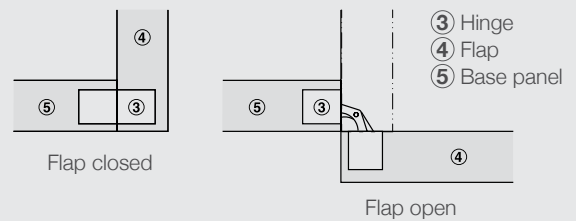
- > Position is secured by tightening the tensioning screw.
- > With extremely heavy loads, each of the cylinders can be secured from the front using a chipboard or wood screw.

Application

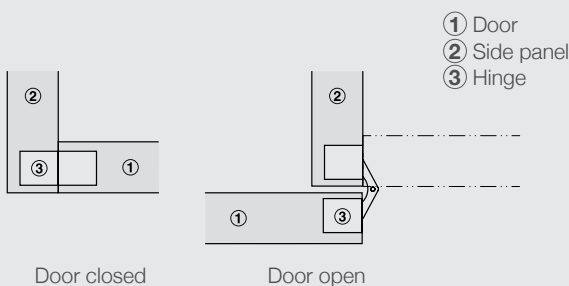
Mounting example for butting overlay doors



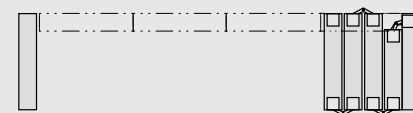
Mounting example for butting overlay flaps



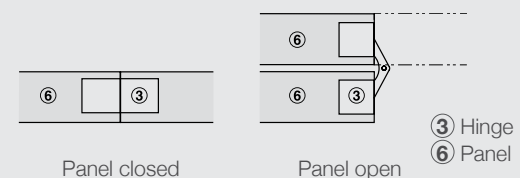
Mounting example for butting inset doors



Example for folding door



Mounting example for two panels





GLASS DOOR HINGE
FOR DOOR MOUNTING WITHOUT GLASS DRILLING



- > Opening angle: 170°
- > Material: Zinc alloy
- > Installation: For screw fixing to side panel, for clamping to glass door
- > Glass thickness: Max. 5mm
- > Door width: Max. 450mm
- > Door height: Max. 600mm
- > Adjustment facility: Depth adjustment with slot
- > With spring

Finish	Cat.No.		Price* (MYR)
Polished chrome plated	361.93.241	✘	52.00
Polished nickel plated	361.93.641	✘	46.00

Packing: 1 or 50 pairs

Full overlay mounting

Installation:

GLASS DOOR HINGE
SEMI-CIRCULAR, FOR DOOR MOUNTING WITH GLASS DRILLING FOR INSET GLASS DOORS



- > Opening angle: 180°
- > Material: Brass
- > Installation: For screw fixing
- > Glass thickness: 6mm
- > Load bearing capacity per pair: 30kg
- > Without spring
- > With glass drilling

Finish	Cat.No.		Price* (MYR)
Matt	361.85.501	✘	110.00
Matt nickel plated	361.85.609	🏠	106.00

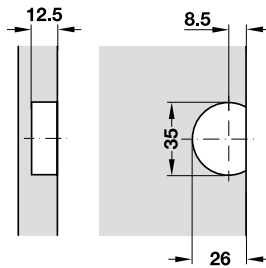
Packing: 1 or 20 pieces

🏠 Stock Item ✘ Freight Item

FLAP HINGE FOR WOODEN FLAPS



Drilling pattern



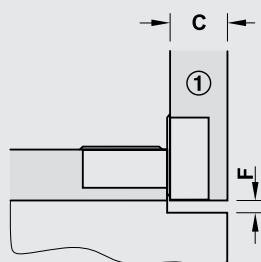
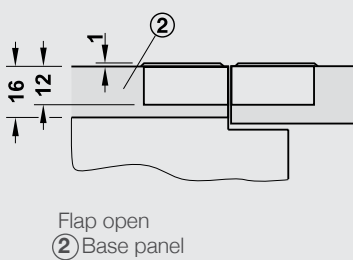
Drilling dimensions in base panel and flap

- > Material: Zinc alloy
- > Finish: Nickel plated
- > Installation: For screw fixing

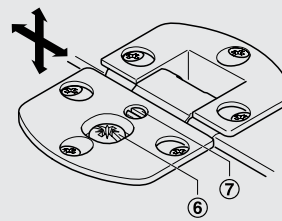
Cat.No.	Price* (MYR)
342.66.730	29.00

Packing: 1, 10 or 50 pieces

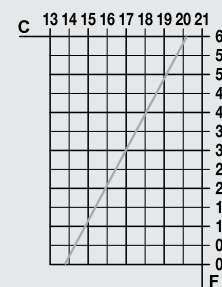
Application and planning dimensions



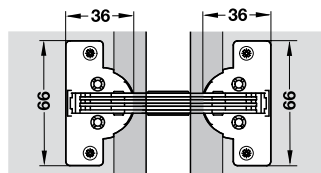
Adjustment facility



- ⑥ Side and depth adjustment ± 1 mm
- ⑦ Height adjustment: +2, -1 mm



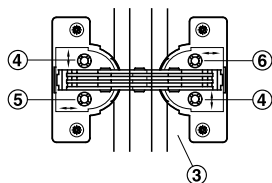
GS MITRED FLAP HINGE OPENING ANGLE 95°



- > Material: Zinc alloy cup, steel hinge arm
- > Finish: Nickel plated
- > Mitre cut: 45°
- > For door thickness: 16 - 22mm
- > Side panel thickness: 16 - 22mm, from 20mm and above the edge has to be chamfered by 3mm
- > Adjustment facility: height adjustment 3mm, width and depth adjustment 1.5mm
- > Installation: For screw fixing

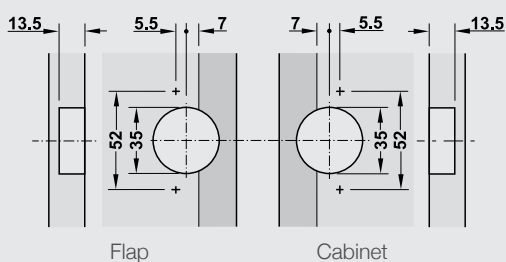
Cat.No.	Price* (MYR)
325.02.702	119.00

Adjustment facility

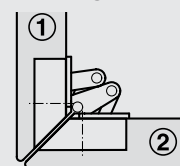


- ③ Side panel
- ④ Height adjustment 3 mm
- ⑤ Side and depth adjustment 1.5 mm
- ⑥

Drilling pattern for 45° mitre



Mounting



- ① Flap
- ② Base panel

Note
To be used in combination with flap stay only.

SPECIAL HINGE FOR WIDE FLAPS

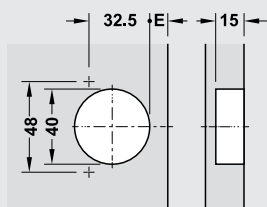


- > Opening angle: Full overlay and half overlay mounting 95°, inset mounting 93°
- > Material: Zinc alloy cup, steel hinge arm
- > Finish: Nickel plated
- > Installation: Door to cabinet with slide-on system
- > Adjustment facility: Side adjustment -4 to 0mm, depth adjustment -2.5 to 1.5mm, height adjustment -3 to +3mm
- > With automatic closing spring

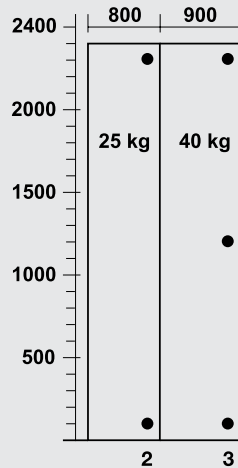
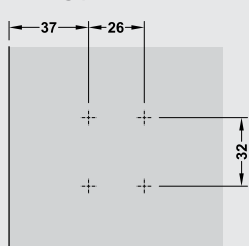
For particularly heavy and wide doors with width of up to 900mm



Drilling pattern for hinge



Drilling pattern for mounting plate

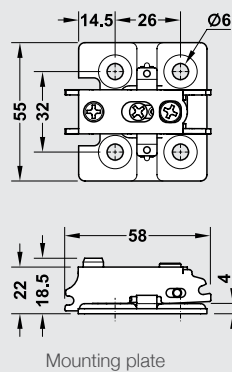
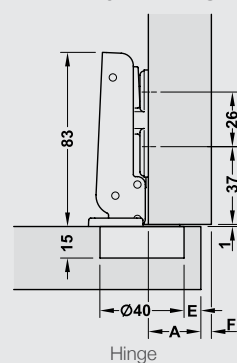


Minimum gap with full overlay and half overlay mounting

For doors with chamfered edges (bevel = 1 mm) with factory settings

Door thickness mm	Distance to cup E mm					
	3.0	4.0	5.0	6.0	7.0	8.0
18	0.3	0.3	0.3	0.3	0.3	0.3
20	0.5	0.5	0.5	0.5	0.5	0.5
22	0.8	0.8	0.8	0.7	0.7	0.7
24	1.1	1.1	1.1	1.1	1.1	1.1
26	1.7	1.6	1.6	1.5	1.5	1.5
28	3.2	2.8	2.5	2.2	2.1	2.0
30	5.0	4.5	4.0	3.6	3.3	3.0
Minimum gap F						

Full overlay mounting



Note

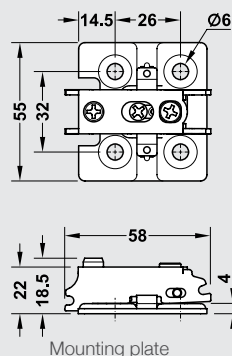
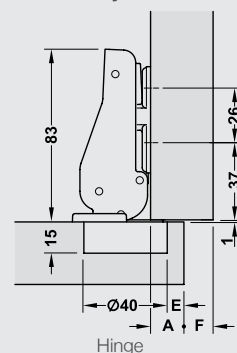
Min. side panel thickness = overlay (A) + minimum gap (F)

Distance to cup (E) mm	3	4	5	6	7	8
Overlay (A) mm	20	21	22	23	24	25

Item description	Cat.No.	Price* (MYR)
Full overlay mounting hinge	327.22.510	189.00
Mounting plate	327.33.010	87.00
Hinge arm cover cap	327.34.500	28.00
Cover plate for mounting plate	327.34.510	32.00

Packing: 1. 25 or 50 pieces

Half overlay



Note

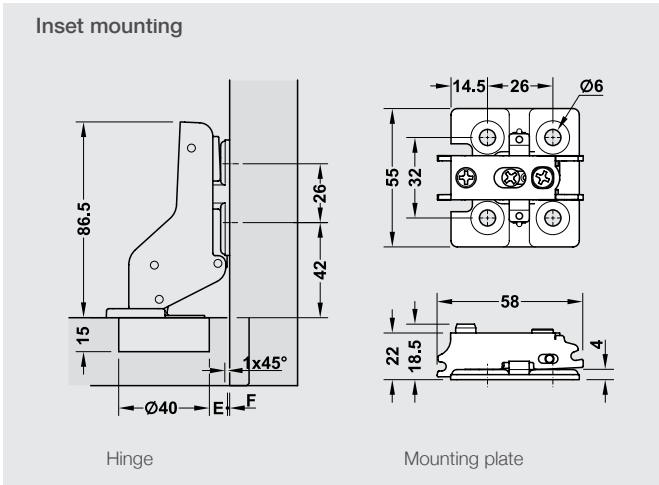
Min. side panel thickness = 2 x overlay (A) + 2 x minimum gap (F)

Distance to cup (E) mm	3	4	5	6	7	8
Overlay (A) mm	11	12	13	14	15	16

Item description	Cat.No.	Price* (MYR)
Half overlay mounting hinge	327.22.511	211.00
Mounting plate	327.33.010	87.00
Hinge arm cover cap	327.34.500	28.00
Cover plate for mounting plate	327.34.510	32.00

Packing: 1. 25 or 50 pieces

Stock Item Freight Item



Note

Actual gap adjustable via side adjustment (up to -4 mm)

Distance to cup (E) mm	3	4	5	6	7	8
Actual gap (F) mm	6	5	4	3	2	1

Item description	Cat.No.	Price* (MYR)
Inset mounting hinge	327.22.512	219.00
Mounting plate	327.33.010	87.00
Hinge arm cover cap	327.34.500	28.00
Cover plate for mounting plate	327.34.510	32.00

Packing: 1. 25 or 50 pieces

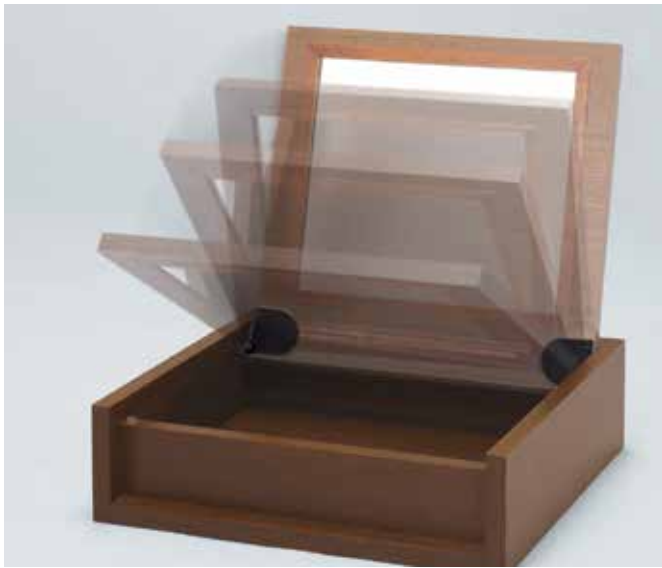
Minimum gap with inset mounting

For doors with chamfered edges (bevel = 1 mm) with factory settings

Door thickness mm	Distance to cup E mm					
	3.0	4.0	5.0	6.0	7.0	8.0
18	0.0	0.0	0.0	0.0	0.0	0.0
20	0.0	0.0	0.0	0.0	0.0	0.0
22	0.1	0.1	0.1	0.1	0.0	0.1
24	0.1	0.1	0.1	0.1	0.1	0.1
26	0.3	0.3	0.3	0.3	0.3	0.3
28	1.7	1.1	0.6	0.5	0.5	0.5
30	3.5	2.9	2.3	1.8	1.0	0.9
32	5.4	4.7	4.1	3.6	3.0	2.5
34	7.3	6.6	6.0	5.4	4.8	4.3
Minimum gap F						



CHEST LID HINGE WITH SOFT CLOSE



- > Opening angle: 105°
- > Area of application: For chest lids
- > Material: Hinge and cover cap: Plastic mounting plate: Aluminium soft closing mechanism: Stainless steel
- > Colour: Hinge and mounting plate: Black, cover cap: Black
- > Installation: For recess mounting

With integrated rotary soft closing mechanism for gentle lowering of chest lids



Sample measurements for choosing the correct hinge

Note

The calculated hinge moment values apply to lids made from 19 mm thick chipboard with density 700 kg/m³. Trial mounting required with other values and threshold values.

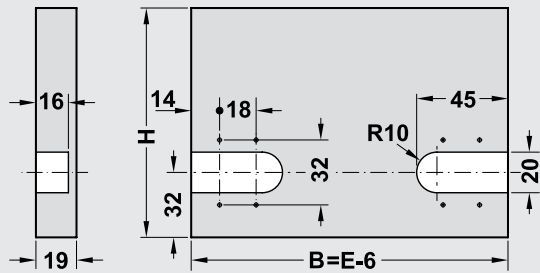
For small lids

Lid height H mm	Lid width B mm												
	300	400	500	600	700	800	900	1000	1100	1200	1300	1400	1500
200									195	213	230	248	266
300		185	231	277	323	369	415	461	508				
400	263	350	438	526									
500	426	568											

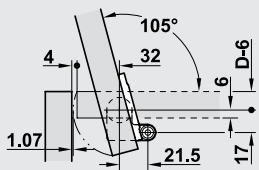
Torque Ncm

356.53.310 and 356.53.710

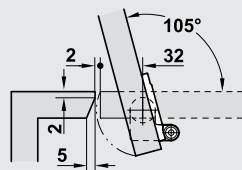
356.53.300 and 356.53.700



Application examples



Standard application



Mounting with blind corner

E = internal chest width, B = lid width, D = lid thickness

Version	Cat.No.	Price* (MYR)
Torque 200 - 340 Ncm	356.53.310	366.00
Torque 340 - 500 Ncm	356.53.300	389.00

Packing: 1 or 10pairs

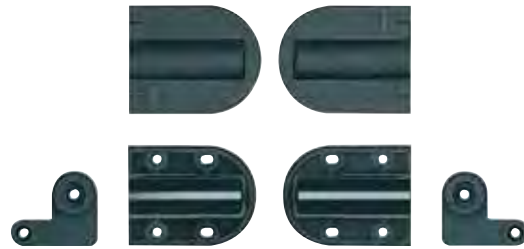
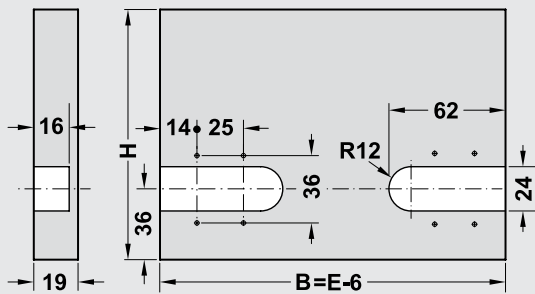


CHEST LID HINGE WITH SOFT CLOSE

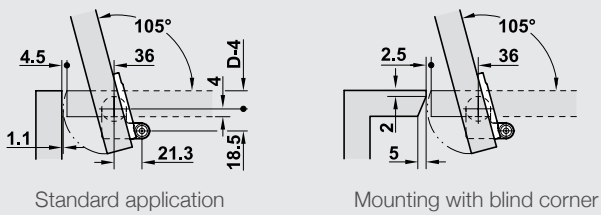
For medium sized lids

Lid height H mm	Lid width B mm												
	300	400	500	600	700	800	900	1000	1400	1500	1600	1700	1800
300									624	669	713	758	802
400					599	684	770	855					
500		558	697	837									
600	619	826											

Torque Ncm



Application examples



E = internal chest width, B = lid width, D = lid thickness

Version	Cat.No.	Price* (MYR)
Torque 600 - 800 Ncm	356.53.330	527.00

Packing: 1 or 10pairs



PUSH PIN



- > Mechanism provides a silent yet powerful operation
- > Suitable for a wide range of doors
- > Installation: Ø10mm hole or order adapter housing and plate for surface mounting.
- > Buffer version for cabinet using sprung hinges.
- > Adjustment: +6 / -0.45mm

Installation to be embedded inside the panel

Versions

- 37 long version
- 20 medium version

With buffer for cabinets using sprung hinges

2 min.

Adjustments

+6
-0,45

7,5 max.

NO

OK

OK

OK

Installation through adapter housing

Versions

- 37 long version
- 20 medium version

With buffer for cabinets using sprung hinges

1,4 min.

Adjustments

+6
-0,45

8,5

7,5 max.

click

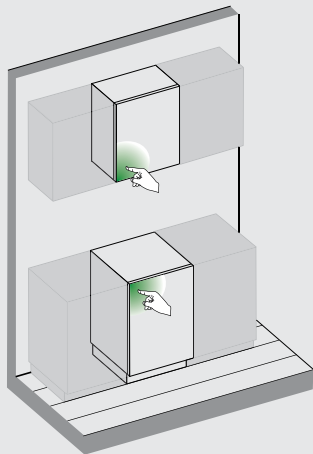
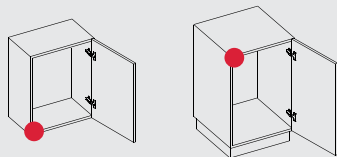
click

recommended fixing at least 2 countersunk head wood screws Ø 3,5 x 16 mm

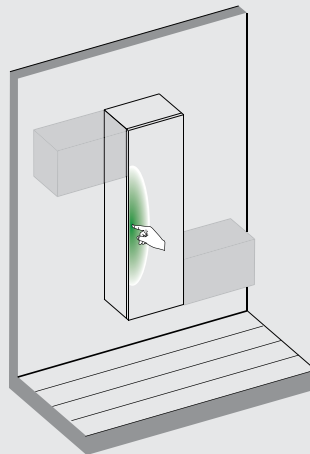
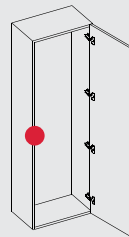


Suggested installation spots for Push pin

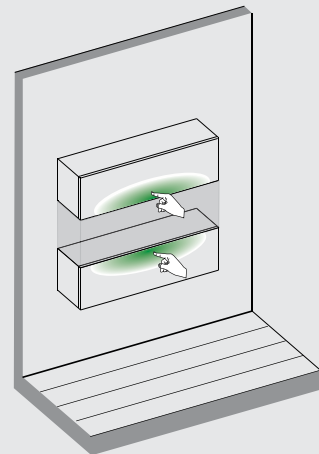
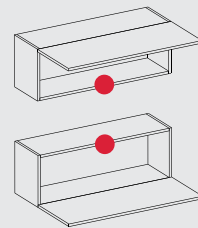
Base cabinets and upper cabinets with hinged doors



Tall cabinets with hinged doors

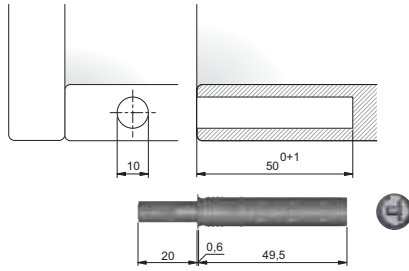


Base cabinets and upper cabinets with flap doors



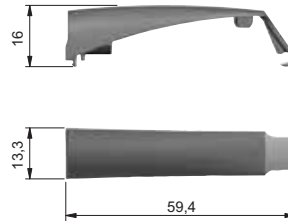
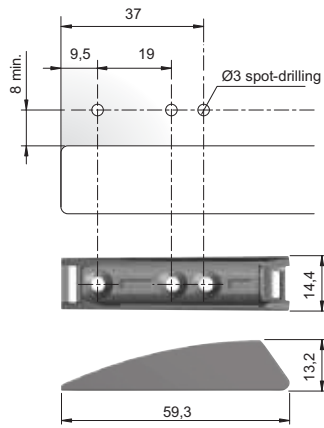
● Push pin suggested spot

● Activating area of Push pin

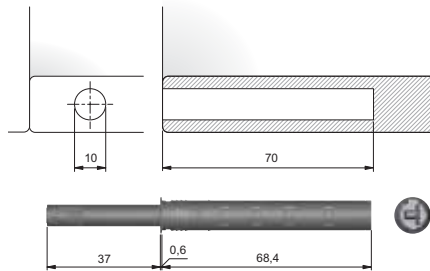


Push pin medium version, with buffer		
Finish	Cat. No.	Price* (MYR)
Light grey	356.12.513	19.00
Anthracite	356.12.313	19.00

Packing: 1 pieces

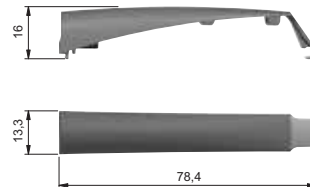
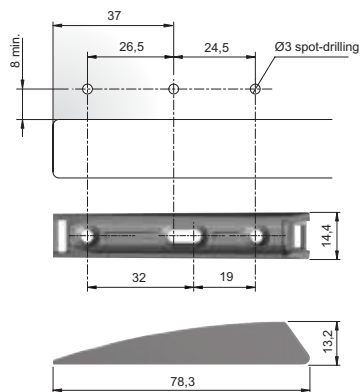


Adapter housing and plate for medium version		
Finish	Cat. No.	Price* (MYR)
Light grey	356.12.526	3.00
Anthracite	356.12.326	3.00



Push pin long version, with buffer		
Finish	Cat. No.	Price* (MYR)
Light grey	356.12.517	21.00
Anthracite	356.12.317	21.00

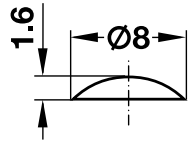
Packing: 1 pieces



Adapter housing and plate for long version		
Finish	Cat. No.	Price* (MYR)
Light grey	356.12.527	3.00
Anthracite	356.12.327	3.00

Stock Item Freight Item

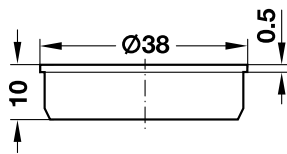
DOOR BUFFER FOR GLUE FIXING



Colour	Cat.No.	Price* (MYR)
Transparent	356.27.411	0.07

Packing: 50 or 5000 pieces

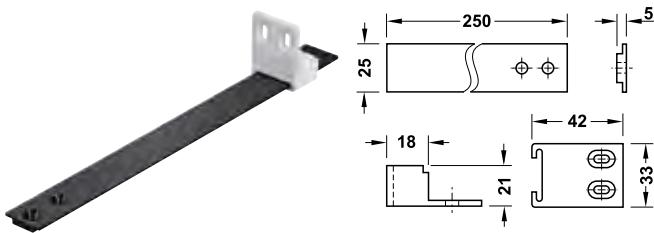
COVER CAP FOR Ø35MM CUP DRILLING



Colour	Cat.No.	Price* (MYR)
White	340.41.702	0.70
Brown, RAL 8014	340.41.104	0.50

Packing: 1 or 100 pieces

CONNECTING FITTING FOR APPLIANCE DOORS

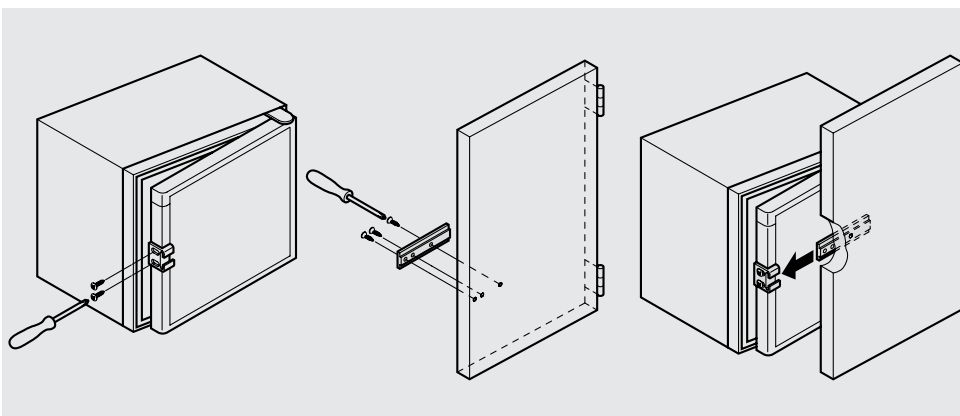


> Area of application: For built-in refrigerators behind furniture doors, the refrigerator door opens automatically when the furniture door is opened

> Material: Plastic

Colour	Cat.No.	Price* (MYR)
Guide: White, rail: Black	568.16.020	98.00

Packing: 1 piece



Installation

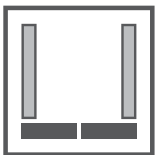



- > Screw guide to the outside of the refrigerator door.
- > Open refrigerator door by 90°
- > Slide rail into guide
- > Screw rail horizontally onto the inside of the furniture door.



SLIDING DOOR FITTING

Systems for doors which sit flush when closed and open across one another, with a horizontal, van door style function.

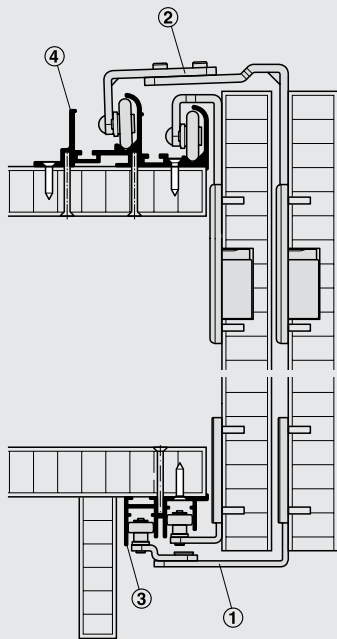


Flush fitted FB	Vorfront VF	Folding doors	Pivot sliding doors
			
<ul style="list-style-type: none"> > The door leaves are on the same level in the closed position ("flush-fitting") > The side panels and the top panel and base panel of the cabinet are concealed > Great deal of design freedom 	<ul style="list-style-type: none"> > The door leaves run in front of the cabinet > The side panels and the top panel and base panel of the cabinet are concealed > Large front panels can be moved very easily 	<ul style="list-style-type: none"> > The door leaves are folded into a package, similarly to an accordion. The cabinet is almost completely opened thanks to the folding door front > Recommended for extremely wide wall units 	<ul style="list-style-type: none"> > A combination of hinged door and sliding door. The door is opened with a rotating movement and is then concealed in the cabinet > The full width of the cabinet is opened, without the door concealing part of the cabinet

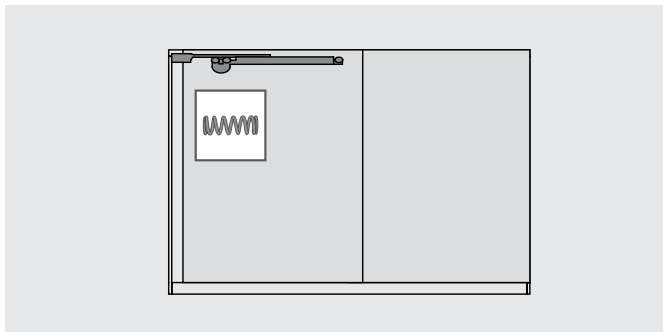
Construction

The type of application that is selected, e.g. Infront or Vorfront, determines the construction of the furniture. Other points that should be noted for the construction are the weight of the door leaf and the size ratio (height to width) of the door.

Definition of terms



- ① Guide**
Guides consist of either a steel or aluminium bracket and a friction bearing mounted roller, or they are just a plastic pin that glides along a track.
- ② Running gear**
The running gear is fitted to the door leaves. It represents the connection between the door leaf and the cabinet. The constituents are usually a bracket made from steel or aluminium, to which plastic rollers are fitted. The rollers are either ball bearing mounted or friction bearing mounted.
- ③ Guide track**
Guide tracks are needed to vertically align the door leaves and prevent them from twisting. They are usually made from aluminium, but there are also plastic versions.
- ④ Running track**
The running tracks control the movement direction of the doors. The running gears are fitted in the running track. The tracks are usually made from aluminium, but steel is also used. Smoother running is achieved using aluminium tracks.



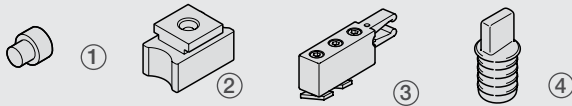
Soft closing mechanism
Soft closing mechanisms are often already integrated in the fitting and dampen the movement of the door leaves when they are moving towards the end position. But there are also soft closing mechanisms which can be optionally fitted to the cabinet. Häfele supplies the Smuso soft closing system for this purpose. Using the soft closing system (soft and self closing mechanism), the doors are quietly closed and moved to the end position. In this way, the cabinet and the fitting are protected, and the life time of the furniture is increased.

Definition of terms



Electric drives

Many Vorfront fittings are available in an electrically driven version which can easily be retrofitted at any time for providing maximum convenience. Doors can be easily opened and closed in this way. This is particularly suitable for large and heavy doors or for furniture for people with mobility problems.



① Buffer

Prevents the door leaf from uncontrollably slamming against the side panel or the following door leaf. Usually fitted to the door leaf.

② Door stopper

Cushions the impact with the side panel and protects the cabinet/door from damage and is mounted in the tracks. The door stopper with clip-in door stopper ③ holds the door in the open and/or closed position.

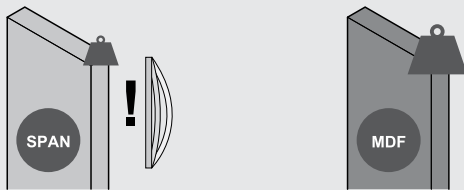
④ Bottom guide

A sliding door is guided in the furniture with a bottom guide. The bottom guide is used if no guide track is being used or if the door guide has to be concealed.

Weight calculation and material selection

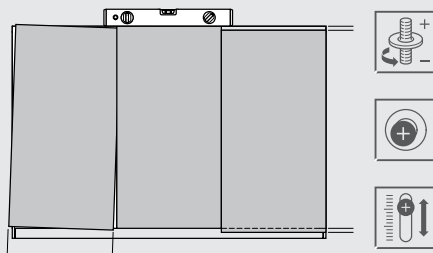


The weight of the door is important for selecting the right fitting. The gross density of the starting material and its specific properties must be known and factored in – for example, chipboard weighs less than MDF because it is not as dense. If a mirror is attached to a door, the weight of the mirror must be factored in during the calculation of the door weight, as must the weight of the fittings that are used (straightening fittings, handles, sliding door fittings).

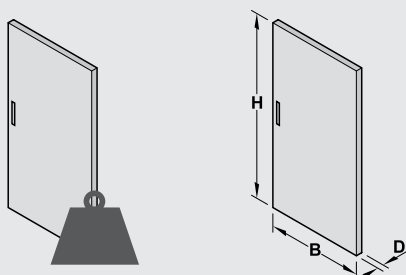


Because of its higher density, MDF is much more stable than chipboard and will not warp as easily. With extremely large and/or thin door leaves and materials that have a tendency to warp, a straightening fitting must be used for alignment and stabilisation (e.g. Planoit and Planomix). Even door leaves that are already warped can be straightened with a straightening fitting.

Installation and assembly



It is important for all sliding door applications for the running track and cabinet to have perfect horizontal alignment! With the majority of fittings, the door is adjusted using either threaded or eccentric screws or via a slot. In order to prevent the cabinet from toppling it must be secured to the wall.



The following must always be taken into consideration when constructing the door leaf: The door leaf must not be taller than 3 times its width.

$$H_{\max} = 3 \times W$$

The weight of the door is calculated from the dimensions of the door and the gross density of the material that has been used (see table below).

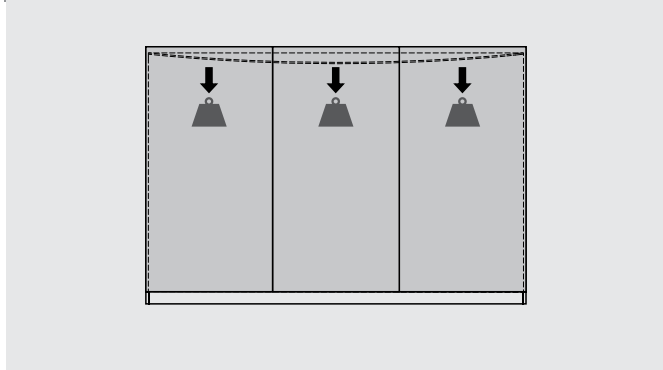
$$\text{Weight in kg} = H \times W \times D \times \text{density}$$

To assist with the weight calculation, typical materials that are used to make sliding doors have been calculated in kg per m² in the table.

Gross density	
Material	Density kg/m ³
Chipboard	650–750
MDF board, untreated	600–900
Blockboard, untreated	520–550
Veneer board	500–800
Glass	2500
Solid wood, spruce	approx. 450
Solid wood, beech	approx. 700
Solid wood, oak	approx. 680
Solid wood, teak	approx. 620
Solid wood, pine	approx. 550

Weight	
Material	Weight kg/m ²
Chipboard 16 mm	11
Chipboard 19 mm	13
Chipboard 22 mm	14.5
Chipboard with mirror (16 mm + 3 mm mirror)	18.5
Chipboard with mirror (19 mm + 4 mm mirror)	23
MDF 19 mm	16
MDF 22 mm	19
Glass/mirror 6 mm	15
Glass/mirror 8 mm	20
Spruce/fir 19 mm	9.5
Hardwood (beech) 19 mm	14.2

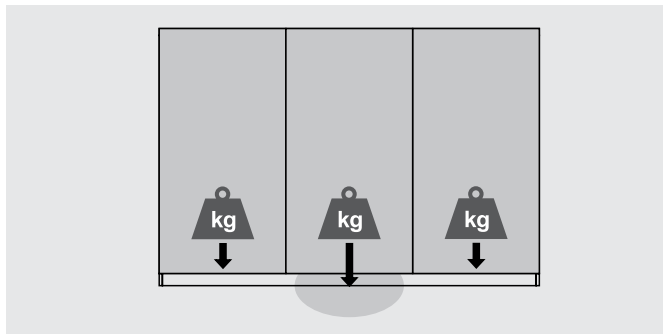
Types of running gear installation



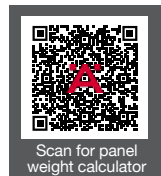
Sliding doors are "top running" and "bottom running", in other words, the running gears and the running track of the sliding door fitting are positioned either at the top panel or base panel of the cabinet. A guide is then also installed opposite the running gears at the top or bottom.

If a top running fitting is selected, the track is attached to the top panel of the cabinet, and the entire weight of the door leaf is transmitted to the top panel of the cabinet. When doing this, during construction it must be ensured that the weight of the door leaf is sufficiently distributed or that supporting intermediate panels are used in order to prevent the top panel and therefore the running track from sagging.

The running track does not prevent the cabinet top from sagging!



Bottom running fittings are often used for extremely heavy door leaves, or if the structural situation makes it impossible to use a top running door. In this case the running track is attached to the base panel of the cabinet, and the weight of the door leaf is transmitted via the base panel of the cabinet into the plinth on the floor. This type of structure is extremely stable.



FINETTA FLATFRONT S 10 FB

Base unit



Wall unit



- > Door height: <800 mm
- > Door width: 450–1,200 mm
- > Door thickness: 16–30 mm (including handle: 40 mm)
- > Door stopper: Stopper system with soft closing mechanism integrated in running equipment
- > Material: Aluminium, rollers: Plastic
- > Running gear guided by: Ball bearings
- > Running gear: Bottom or top running, 3-point guidance
- > Adjustment facility: Vertical ± 5 mm, horizontal ± 2.5 mm, front door: Top ± 2 mm, bottom ± 2.5 mm, using hexagon socket
- > Suitable for: 2 symmetrical doors or for one single door and drawers, for example
- > Installation: Running gear and tracks for screw fixing, highboard/ sideboard version: Running gear installed bottom running, wall unit version: Running gear installed top running

- > Easy installation without the need for further processing
- > Smooth, silent opening and closing action with integrated soft closing and soft opening mechanism
- > Long life time
- > One fitting for top and bottom running application
- > Closing speed adjustable



Note

The dimensions specified in the order table must be adhered to.

Finetta Flatfront S10 FB Wall unit

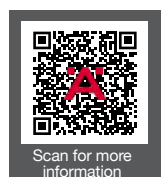
	For cabinet width mm	Item description	Cat. No.	Total Price* (MYR)	
For 2 doors	860 - 987	Fitting set	406.11.240	✗	5,634.00
		Track set	406.11.670	✗	
	988 - 1115	Fitting set	406.11.241	✗	5,737.00
		Track set	406.11.670	✗	
	1116 - 1371	Fitting set	406.11.242	✗	5,900.00
		Track set	406.11.670	✗	
	1372 - 1627	Fitting set	406.11.243	✗	6,082.00
		Track set	406.11.670	✗	

Supplied with 1 set fitting set and 1 set track set
Packing: 1 set

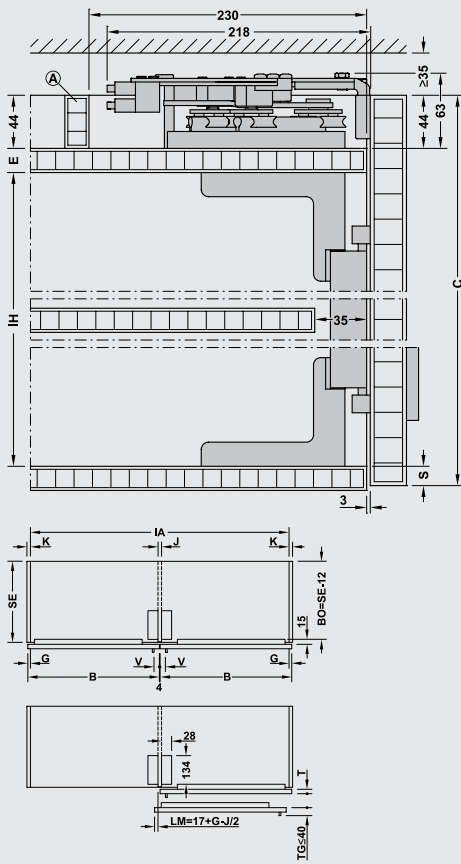
Finetta Flatfront S10 FB base unit

	For cabinet width mm	Item description	Cat. No.	Total Price* (MYR)	
For 2 doors	860 - 987	Fitting set	406.11.240	✗	4,776.00
		Track set	406.11.650	✗	
	988 - 1115	Fitting set	406.11.241	✗	4,879.00
		Track set	406.11.650	✗	
	1116 - 1371	Fitting set	406.11.242	✗	5,042.00
		Track set	406.11.650	✗	
	1372 - 1627	Fitting set	406.11.243	✗	5,224.00
		Track set	406.11.650	✗	

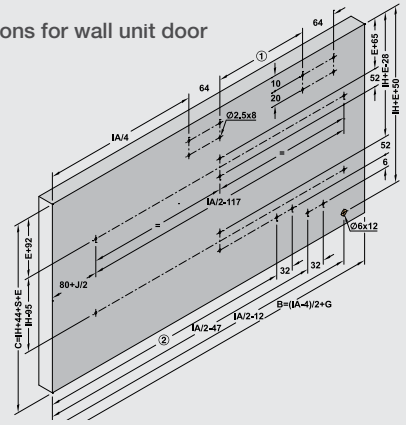
Supplied with 1 set fitting set and 1 set track set
Packing: 1 set



Installation dimensions for wall unit



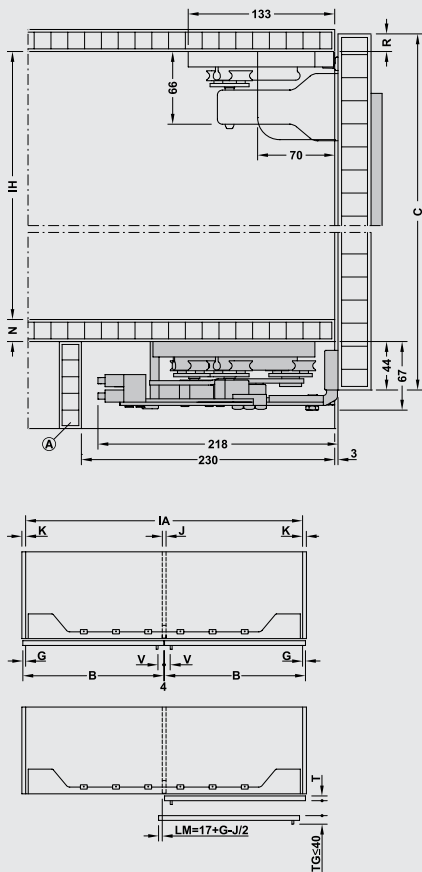
Installation dimensions for wall unit door



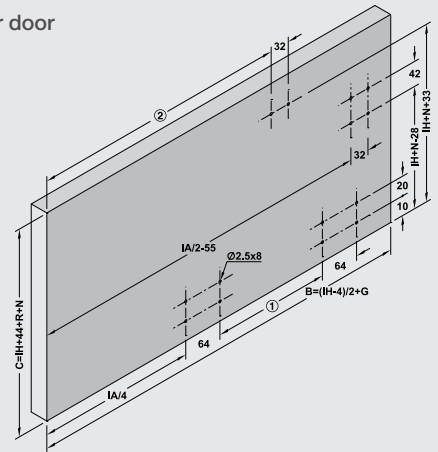
Internal cabinet width (mm)	① in mm	② in mm
860 - 987	64	IA/2-124
988 - 1,115	96	
1,116 - 1,371	128	4*IA/10-19
1,372 - 1,627	192	

- C Door height
- E Cabinet top panel thickness
- IH Internal cabinet height
- S Door overlap on cabinet base panel (min. 14 mm)
- Ⓐ Support, prevents sagging of cabinet top panel
- B Door width
- BO Base panel depth
- IA Internal cabinet width
- G Door overlap on cabinet side panel (max. 25 mm)
- J Centre panel thickness (max. 50 mm)
- K Side panel thickness
- LM Door offset wall unit
- SE Side panel (depth)
- T Door thickness (max. 30 mm)
- TG Door thickness including handle (max. 40 mm)
- V Distance from handle to outer edge

Installation dimensions for base unit



Drilling pattern for door



Internal cabinet width (mm)	① in mm	② in mm
860 - 987	64	4*IA/10+24
988 - 1,115	96	
1,116 - 1,371	128	
1,372 - 1,627	192	

- C Door height
- IH Internal cabinet height
- N Base panel thickness
- R Door overlap on cabinet top panel
- Ⓐ Support, prevents sagging of cabinet base panel
- B Door width
- IA Internal cabinet width
- G Door overlap on cabinet side panel (max. 25 mm)
- J Centre panel thickness (max. 50 mm)
- K Side panel thickness
- LM Door offset wall unit
- SE Side panel (depth)
- T Door thickness (max. 30 mm)
- TG Door thickness including handle (max. 40 mm)
- V Distance from handle to outer edge

FINETTA FLATFRONT M 35 F FB

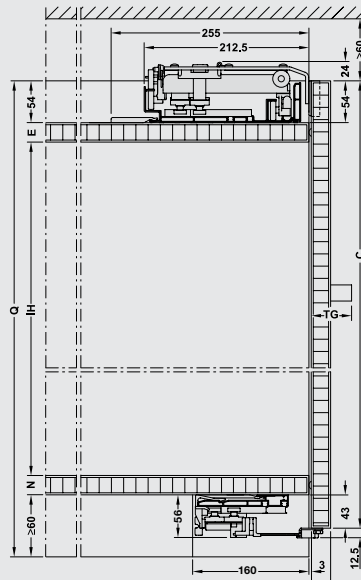


For kitchen cabinets:

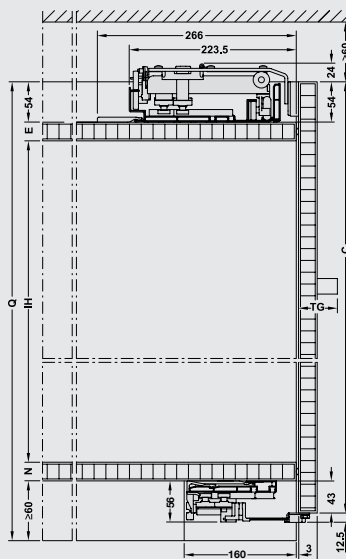
- > Running track with room for plinth systems
- > Doors open fully for convenient access to the household appliances
- > With magnetic soft closing mechanism

- > Door height: <2,200 mm
- > Door width: 600–1,200 mm
- > Door thickness: Including handle: Groove mounting 18–45 mm, screw fixing 18–40 mm
- > Running gear: Top running
- > Adjustment facility: Vertical +5 mm, horizontal ± 3.5 mm, via hexagon socket
- > Installation depth: Bottom fitting without door: Min. 160 mm; groove mounted top fitting without door: Min. 255 mm, screw-fixed top fitting without door: Min. 266 mm
- > Suitable for: 2 symmetrical doors or for one single door and drawers, for example
- > Version: With soft closing mechanism
- > Door offset: In accordance with calculating formula
- > Distance from handle to door edge (K) > 10 mm
- > Door overlap at side and top 17 mm (standard set)

Installation dimensions



Recessed mounting



Installation with screws

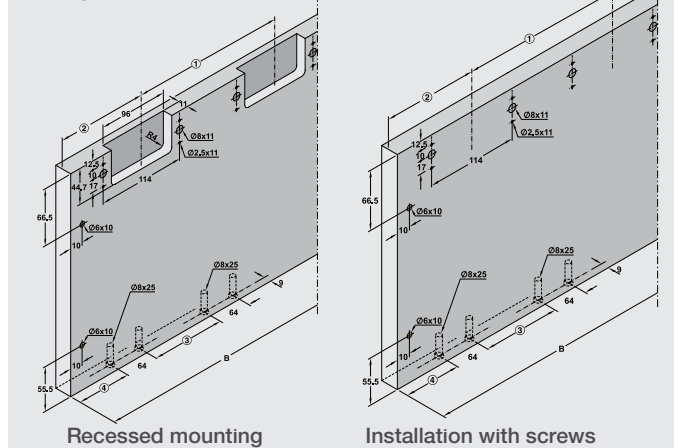
	Internal cabinet width mm	For cabinet width mm	Cat. No.	Price* (MYR)
For 2 doors	1162	1200	406.11.130	8,499.00
	1362	1400	406.11.131	8,749.00
	1562	1600	406.11.132	9,006.00
	1762	1800	406.11.133	10,482.00
	1962	2000	406.11.134	10,768.00
	2162	2200	406.11.135	11,628.00
	2362	2400	406.11.136	12,019.00

Supplied with 1 set running track with running gears, 1 piece guide track, internal and external control, fixing clips, door buffer and mounting aids
Packing: 1 set

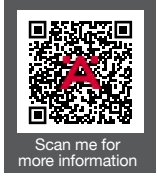
Note

The dimensions specified in the order table must be adhered to.

Drilling pattern for door



FINETTA FLATFRONT M 50 F FB

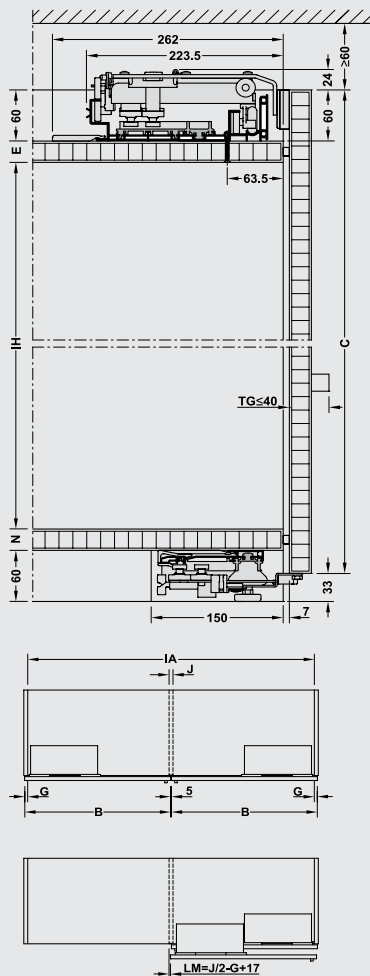


- > Quick and easy installation, clip system
- > With integrated mechanism for soft opening and soft closing action
- > Variable width



- > Door height: <2,700 mm
- > Door width: 800–1,600 mm
- > Door thickness: Min. 18 mm, max. 40 mm (including handle)
- > Material: Aluminium, rollers: Plastic
- > Running gear guided by: Ball bearings
- > Adjustment facility: Vertical ± 5 mm, horizontal ± 3.5 mm, front door: Top ± 3 mm, bottom ± 3 mm, using hexagon socket
- > Suitable for: 2 symmetrical doors or for one single door and drawers, for example
- > Version: With soft closing mechanism
- > Distance from handle to door edge (K) > 10 mm

Installation dimensions



- | | | | |
|----|------------------------------------|----|--|
| B | Door width | J | Centre panel thickness |
| C | Door height | LM | Door offset |
| E | Cabinet top panel thickness | N | Base panel thickness |
| G | Door overlap on cabinet side panel | S | Door overlap on cabinet base panel |
| IA | Internal cabinet width | TG | Door thickness (including handle max. 40 mm) |
| IH | Internal cabinet height | | |

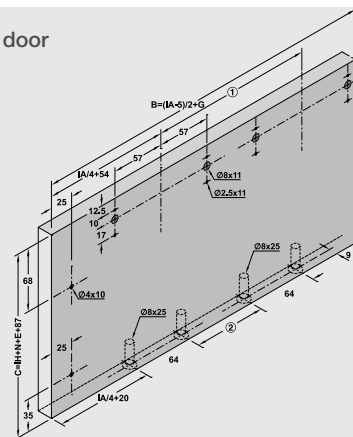
	For cabinet width mm	Item description	Cat. No.	Price* (MYR)
For 2 doors	1531 - 1930	Fitting set	406.11.285	10,805.00
		Track set	406.11.690	10,805.00
	1931 - 2330	Fitting set	406.11.286	11,006.00
		Track set	406.11.690	11,006.00
2331 - 2730	Fitting set	406.11.287	12,272.00	
	Track set	406.11.691	12,272.00	
2731 - 3200	Fitting set	406.11.288	12,749.00	
	Track set	406.11.691	12,749.00	

Supplied with 1 set fitting set and 1 set track set
Packing: 1 set

Note

The dimensions specified in the order table must be adhered to.

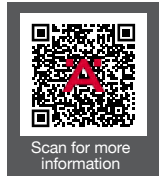
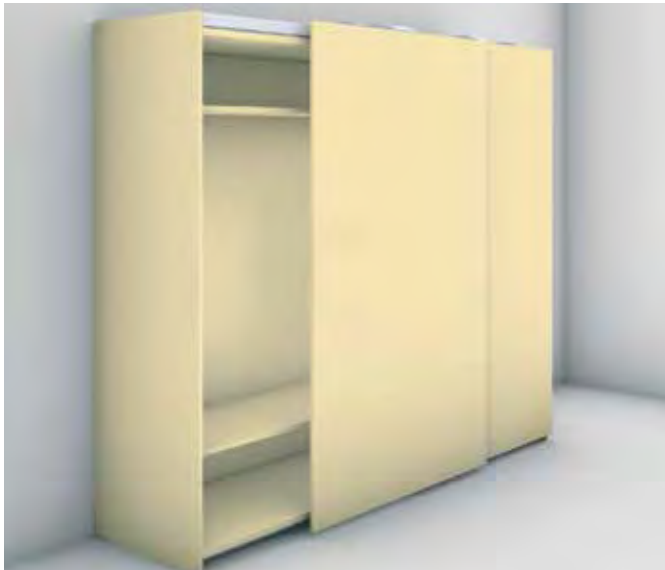
Drilling pattern for door



Internal cabinet width (mm)	① in mm	② in mm
1531–1930	254	177
1931–2330	354	277
2331–2730	454	377
2731–3200	554	477

Stock Item Freight Item

FINETTA FLATFRONT L 100 FB

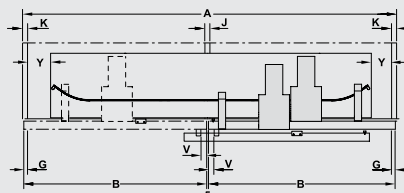
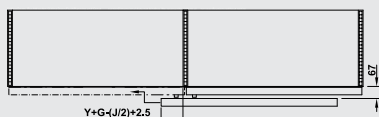
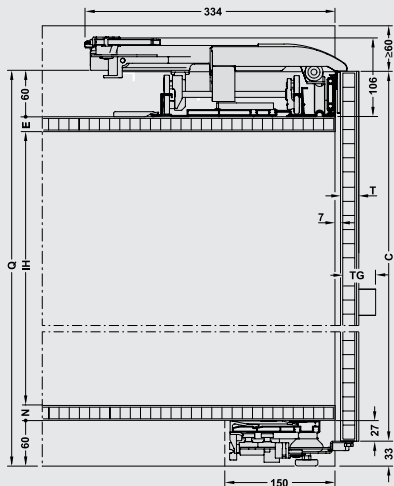


- > Door height: <3,000 mm
- > Door width: 821–2,020 mm
- > Door thickness: Including handle: 18–45
- > Material: Aluminium, rollers: Plastic
- > Running gear: Top running
- > Adjustment facility: Vertical ± 5 mm, horizontal ± 3.5 mm, using hexagon socket
- > Suitable for: 2 symmetrical doors or for one single door and drawers, for example
- > Version: With soft closing mechanism
- > Distance from handle to outer edge of door (K) min. 10 mm

- > Quick and easy installation, clip system
- > With integrated mechanism for soft opening and soft closing action
- > Up to 199 mm (variable)



Installation dimensions



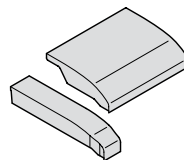
- A Cabinet width
- B Door width
- C Door height
- E Cabinet top panel thickness
- G Door overlap on cabinet side panel
- IA Internal cabinet width
- IH Internal cabinet height
- J Centre panel thickness
- LM Door offset
- N Base panel thickness
- S Door overlap on cabinet base panel
- TG Door thickness including handle (max. 40 mm)

Dim. Y = $\frac{\text{internal cabinet width on site} - * \text{dim. in order table}}{2}$

	For Internal cabinet width mm	Cat. No.		Price* (MYR)
For 2 doors	1600* - 1799	406.11.101	✘	14,003.00
	1800* - 1999	406.11.102	✘	14,174.00
	2000* - 2199	406.11.103	✘	14,802.00
	2200* - 2399	406.11.104	✘	15,115.00
	2400* - 2599	406.11.105	✘	15,976.00
	2600* - 2799	406.11.106	✘	16,056.00
	2800* - 2999	406.11.107	✘	16,415.00
	3000* - 3199	406.11.108	✘	16,774.00
	3200* - 3399	406.11.109	✘	17,321.00
	3400* - 3599	406.11.110	✘	17,410.00
	3600* - 3799	406.11.111	✘	17,511.00
	3800* - 3999	406.11.112	✘	18,506.00

Supplied with 1 set fitting set and 1 set track set
Packing: 1 set

Note
The dimensions specified in the order table must be adhered to.



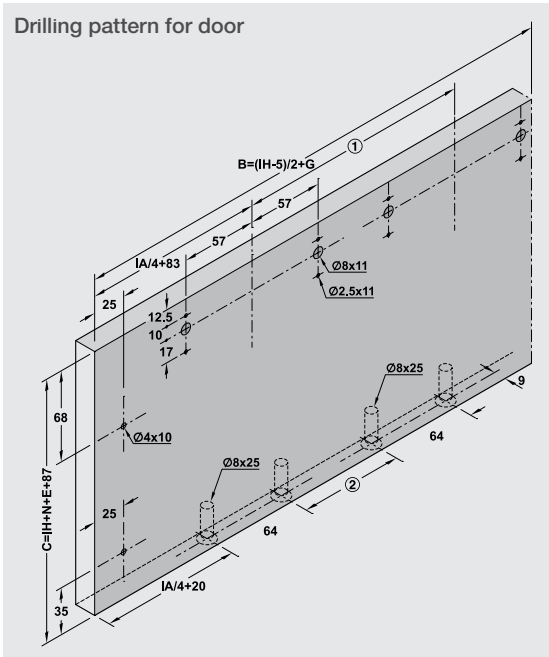
Cover cap				
Material	Colour	Cat. No.		Price* (MYR)
Plastic	White	406.11.094 x 2	✘	52.00

Packing: 1 piece

FINETTA FLATFRONT L 100 FB

⑨ Sleeve with M4 internal thread

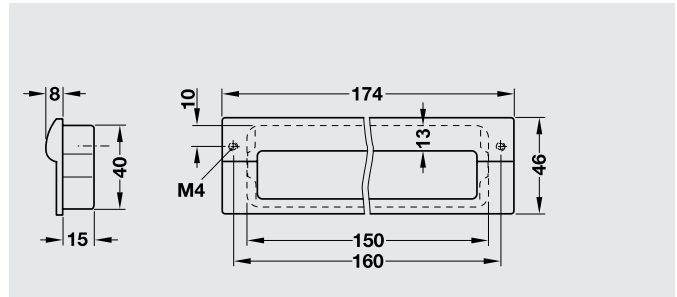
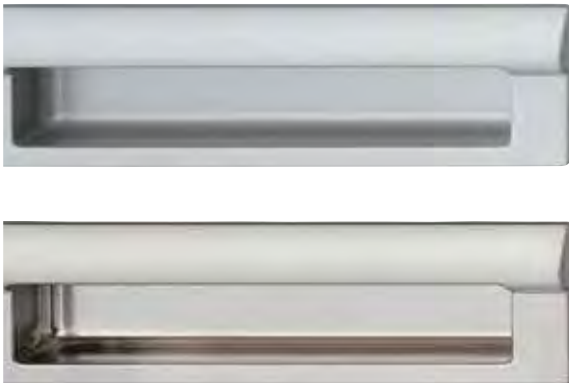
Drilling pattern for door



Internal cabinet width (mm)	Dim. mm					
	①	②	③	④	⑤	⑥
1600-1799	181	303	154	353	422	177
1800-1999		353	204	403	472	227
2000-2199		403	254	453	522	277
2200-2399		453	304	503	572	327
2400-2599		503	354	553	622	377
2600-2799	231	503	354	603	672	427
2800-2999	281			653	722	477
3000-3199	331			703	772	527
3200-3399	381			753	822	577
3400-3599	431			803	872	627
3600-3799	481			853	922	677
3800-3999	531			903	972	727



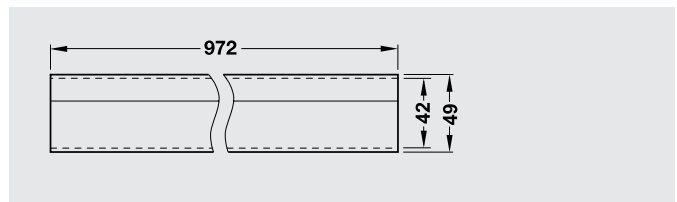
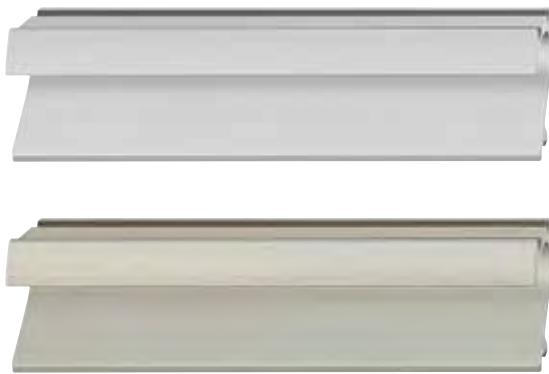
HANDLE FOR FINETTA FLATFRONT



Finish	Cat. No.	Price* (MYR)
Matt nickel plated	155.00.240 ✈	50.00
Aluminium coloured	155.00.230 ✈	50.00

Packing: 1 piece

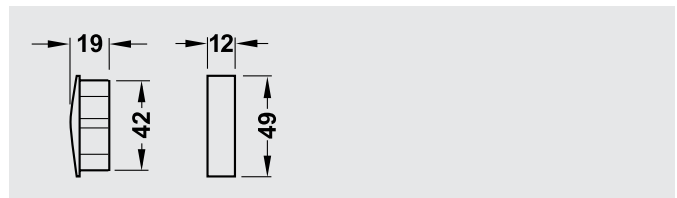
INSET HANDLE CAN BE CUT TO SIZE



Finish	Cat. No.	Price* (MYR)
Silver coloured	151.86.930 ✈	138.00
Stainless steel coloured	151.86.030 ✈	219.00

Packing: 1 piece
Note: Please order end caps separately.

END CAPS



Finish	Cat. No.	Price* (MYR)
Aluminium coloured	151.86.989 ✈	30.00
Stainless steel coloured	151.86.089 ✈	33.00

Packing: 1 or 25 pairs



PIVOT SLIDING CABINET DOORS

Systems for doors that pivot or slide away in to a recess or pocket, to save vital space.

CONCEPTA 25/30/40/50

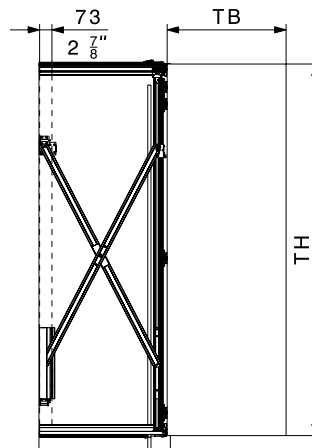
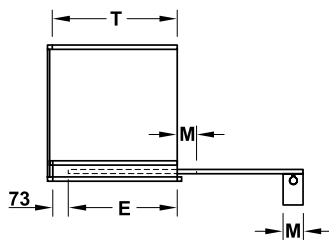
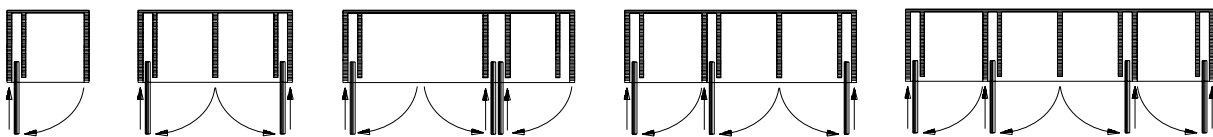


- > The door is pulled into the pocket automatically
- > The unique scissor technology allows large and heavy doors to be implemented
- > Suitable for room partitioning solutions as there is no need for a base panel and top panel in wall recesses
- > Sets are suitable for left and right hand use
- > Wall recesses are concealed without the need for a cabinet
- > All adjustments are carried out from the front

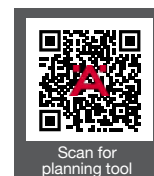


- > Door height: 1,250–1,850 mm (25 kg),
1,851–2,300 mm (30 kg),
1,851–2,500 mm (40 kg),
2,301–2,850 mm (50 kg)
- > Door width: 300–900 mm
- > Door thickness: Wood: 19–30 mm, rebated >30–50 mm
- > Door weight: 25 kg, 30 kg, 40 kg or 50 kg
- > Side panel thickness: In wall recesses >30 mm
- > Running gear: 40/50 kg: 2 rollers
- > Running gear guided by: 40/50 kg: Ball bearing mounted, plastic coated rollers
- > Mounting: For left and right hand use

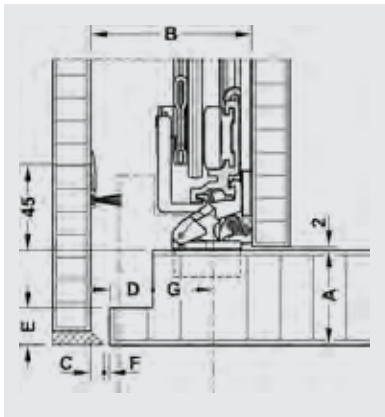
Application



$T = TB - M + 73 \text{ mm}$
 $E = T - 73 \text{ mm}$
 TB = door width
 TH = door height
 M = door handle width
 E = max. push-in depth measured from the inner side of closed door
 T = max. permitted distance for mounting the fitting measured from the inner side of closed door to rear edge of fitting
 For deeper furniture cabinets:
 Install fitting at dim. T measured from the inner side of door



CONCEPTA 25/30/40/50 INSTALLATION INFORMATION



Gap width F

Dim. mm	
F	G
2	29.5
3	28.5
4	27.5
5	26.5

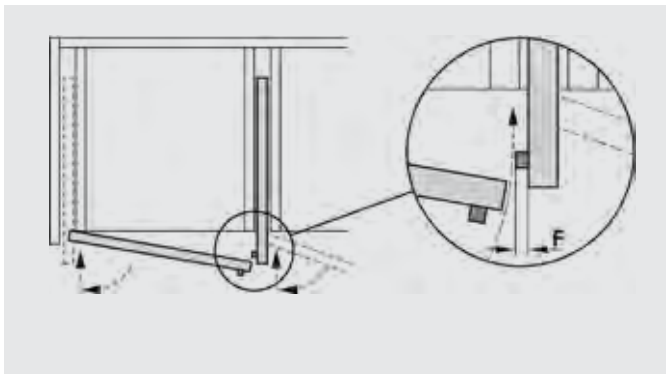
Rebate dimension

The rebate allows the use of wooden doors with thickness of >30–50 mm.

Dim. mm				
A	B	C	D	E
19–30	55	0	0	0
33	58	0	3	3
36	63	2	6	5
39	67	3	9	8
42	70	3	12	11
45	75	5	15	14
48	79	6	18	17
50	83	7	21	19

Note

If the doors of adjoining cabinets coincide when one door is opened due to the design, then the door handle height must be taken into consideration accordingly. We recommend mounting inset handles or flush pull handles on site.



Max. door handle height with adjoining cabinets

Door thickness mm	Door handle height F mm
<19	13.5
<22	10
<25	5
<50	2

Connector connecting profile

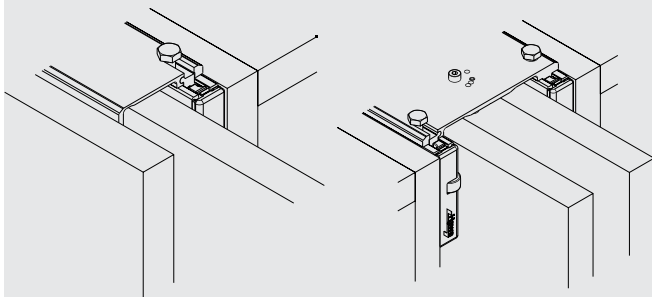
Connecting profile for quick and easy installation of pivot sliding doors that overlay the base panel and cabinet top panel (Vorfront):

- > Join cabinet side panels/cabinets laterally
- > Slide connecting profile into the running and guide tracks from the front and secure with screws from above
- > Height deviations of the external side or cabinets are compensated by the Connector by up to ± 1.5 mm

Connector connecting profile

Connecting profile for quick and easy installation of pivot sliding doors that overlay the base panel and cabinet top panel (Vorfront):

- > Join cabinet side panels/cabinets laterally
- > Slide connecting profile into the running and guide tracks from the front and secure with screws from above
- > Height deviations of the external side or cabinets are compensated by the Connector by up to ± 1.5 mm

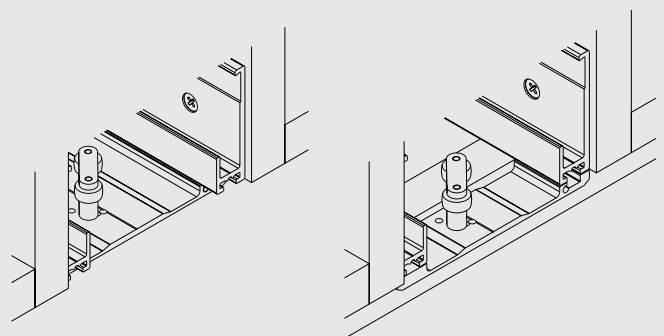


Connector width 55 mm:
Recess for 1 pivot sliding door,
door thickness 19–30 mm

Connector width 110 mm:
Recess for 2 pivot sliding doors,
door thickness 19–28 mm

Kitchen constructions with and without fixed plinth

The same connecting profile can be used at top and at bottom for constructions with adjusting feet. A short connecting profile (26 mm) is available for version with fixed plinth.



Construction with adjusting feet
Profile at top and bottom:
Connector width 110 mm,
length 650 or 900 mm

Construction with fixed plinth
Profile at top:
Connector width 110 mm,
length 650 or 900 mm,
profile at bottom:
Connector width 110 mm,
length 26 mm

LOAD BEARING CAPACITY

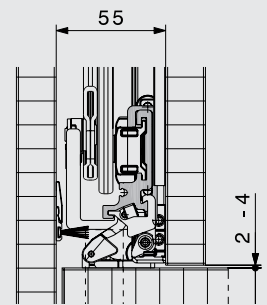
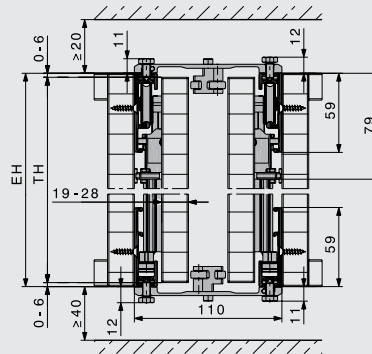
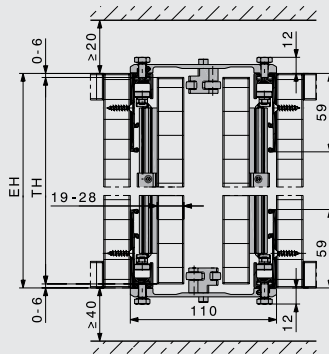
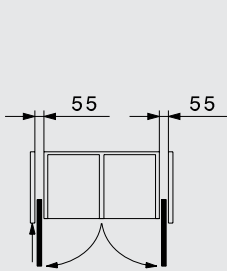
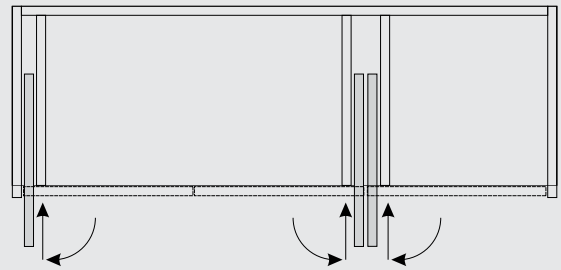
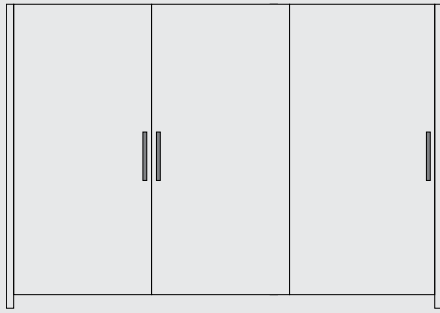
Concepta 25 – door weight in kg									
Door height mm	Door width mm								
	300–350	400	450	500	550	600	650	700	750
1850	25	25	25	25	25	25	24	23	22
1800	25	25	25	25	25	25	23	22	21
1750	25	25	25	25	25	24	22	21	21
1700	25	25	25	25	25	24	21	21	20
1650	25	25	25	25	25	23	21	20	19
1600	25	25	25	25	24	22	20	19	18
1550	25	25	25	25	24	21	19	18	18
1500	25	25	25	25	23	21	18	18	17
1450	25	25	25	24	22	20	18	17	16
1400	25	25	25	24	21	19	17	16	15
1350	25	25	24	23	21	18	16	16	15
1300	25	25	24	22	20	18	15	15	14
1250	25	24	23	21	19	17	15	14	13

Concepta 40 – door weight in kg								
Door height mm	Door width mm							
	300–550	600	650	700	750	800	850	900
2500	40	40	40	40	40	40	40	40
2450	40	40	40	40	40	40	40	39
2400	40	40	40	40	40	40	40	38
2350	40	40	40	40	40	40	40	39
2300	40	40	40	40	40	40	40	38
2250	40	40	40	40	40	39	37	35
2200	40	40	40	40	40	38	36	34
2150	40	40	40	40	39	37	35	33
2100	40	40	40	40	37	36	34	32
2050	40	40	40	39	36	34	33	31
2000	40	40	40	37	35	33	32	29
1950	40	40	38	36	34	32	31	28
1900	40	40	37	35	33	31	29	27
1851	40	39	37	35	33	31	29	27

Concepta 30 – door weight in kg							
Door height mm	Door width mm						
	300–600	650	700	750	800	850	900
2300	30	30	30	30	29	27	26
2250	30	30	30	30	28	27	25
2200	30	30	30	29	27	26	24
2150	30	30	30	29	27	25	24
2100	30	30	30	28	26	25	23
2050	30	30	29	27	25	24	23
2000	30	30	29	27	25	23	22
1950	30	29	27	26	24	23	21
1900	30	29	27	25	23	22	21
1851	30	28	26	24	23	21	20

Concepta 50 – door weight in kg							
Door height mm	Door width mm						
	300–600	600	700	750	800	850	900
2750–2850	50	50	50	50	50	50	50
2700	50	50	50	50	50	50	49
2650	50	50	50	50	50	50	48
2600	50	50	50	50	50	49	48
2550	50	50	50	50	50	48	47
2500	50	50	50	50	49	48	46
2450	50	50	50	49	48	47	45
2400	50	50	50	48	48	46	45
2350	50	50	49	48	47	45	44
2301	50	49	48	47	46	45	43

Design option: For overlay door application

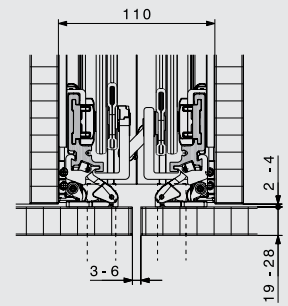
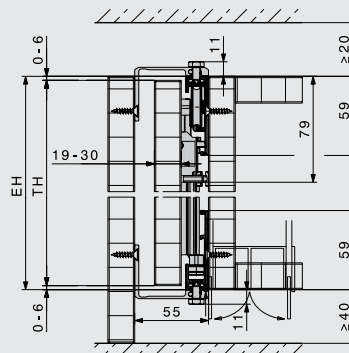
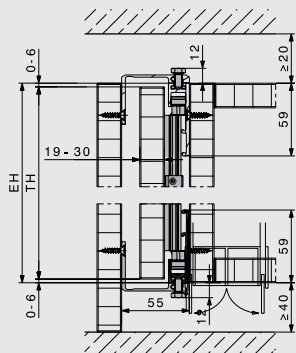
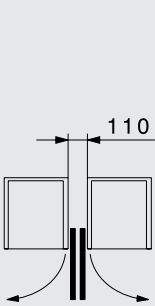


EH - Installation height
TH - Door height

Concepta 25/30 with
55mm connecting profiles

Concepta 40/50 with
55mm connecting profiles

Door closed
One door with 55mm pocket
width

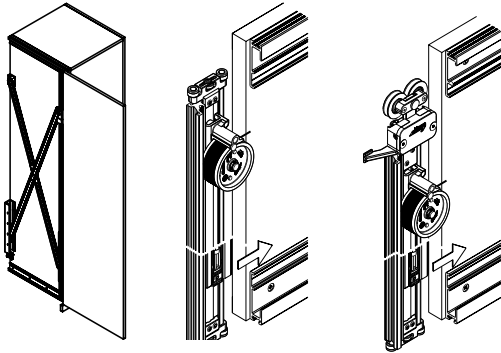
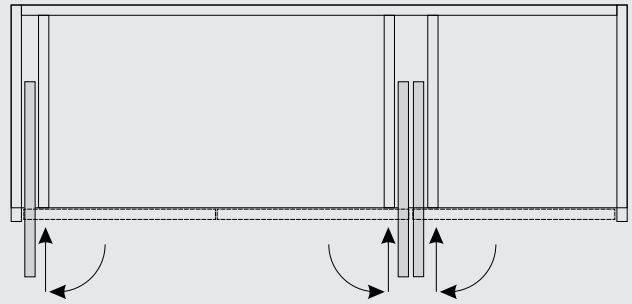
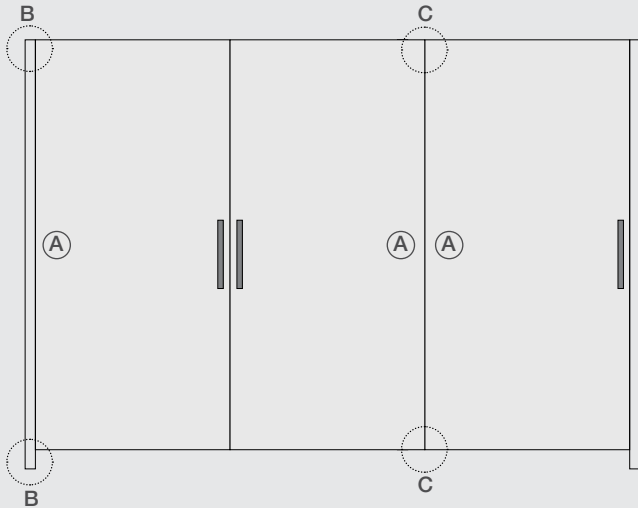


Concepta 25/30 with
110mm connecting profiles

Concepta 40/50 with
110mm connecting profiles

Door closed
Two door with 110mm pocket
width

Design option: For overlay door application

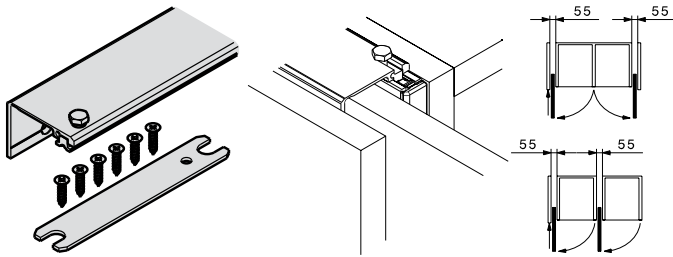


Concepta 25/30

Concepta 40/50

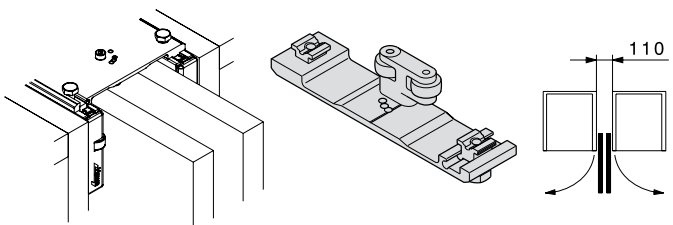
A Concepta fitting set					
	Door height mm	Door weight mm	Cat. No.		Price* (MYR)
For 1 door	1250 - 1850	25	408.30.045	✖	6,672.00
	1851 - 2300	30	408.30.046	🏠	7,171.00
	1851 - 2500	40	408.30.047	✖	9,374.00
	2301 - 2850	50	408.30.048	✖	9,808.00

Supplied with 1 set fitting set
Packing: 1 set



B Connector connecting profile 55mm					
Width mm	Material	Finish / Colour	Cat. No.		Price* (MYR)
55	Aluminium	Silver coloured anodized	408.30.243	🏠	745.00

Supplied with 1 set fitting set
Packing: 1 set (2 pieces)



408.30.093

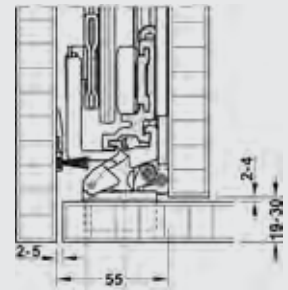
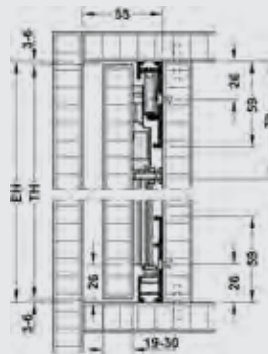
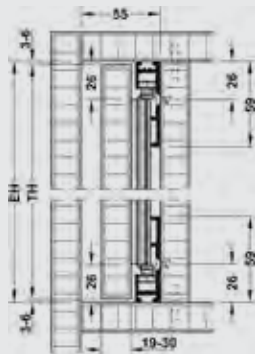
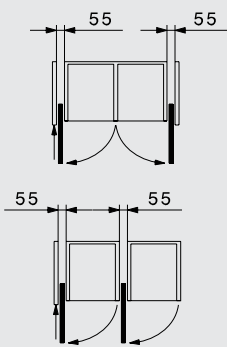
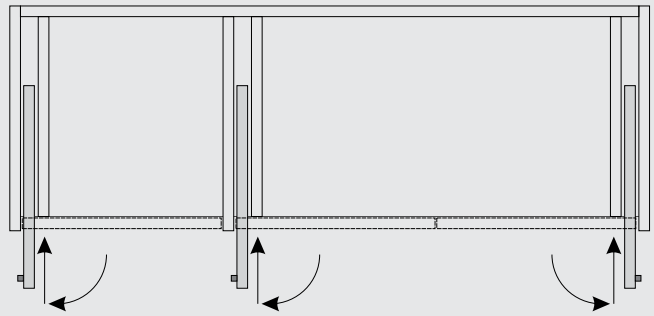
408.30.095

C Connector connecting profile 110mm					
Width mm	Material	Finish / Colour	Cat. No.		Price* (MYR)
110	Aluminium	Silver coloured anodized	408.30.093	🏠	1,510.00
110	Aluminium	Silver coloured anodized	408.30.095	🏠	1,132.00

Packing: 1 piece
Please order:
a. 2 x 408.30.093 for connecting cabinets with adjusting feet at the top and bottom.
b. 1 x 408.30.093 for connecting cabinets with fixed plinth at the top and 1 x 408.30.095 at the bottom.

🏠 Stock Item ✖ Freight Item

Design option: For inset application

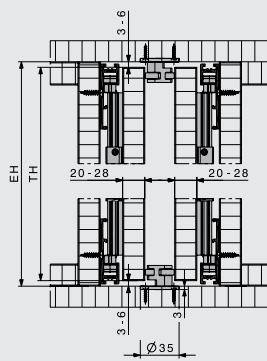
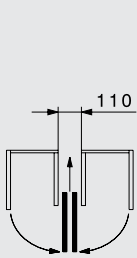


EH - Installation height
TH - Door height

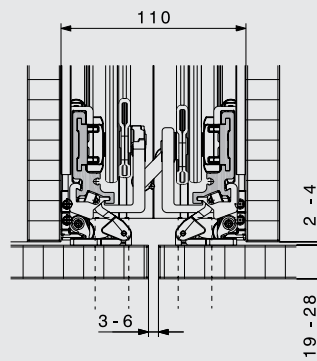
Concepta 25/30

Concepta 40/50

Door closed
One door with 55mm pocket width

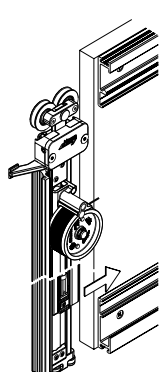
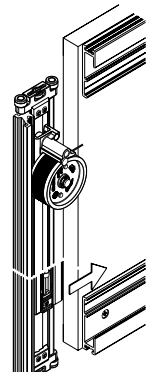
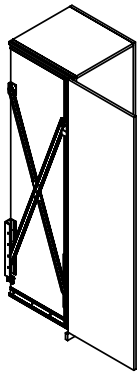
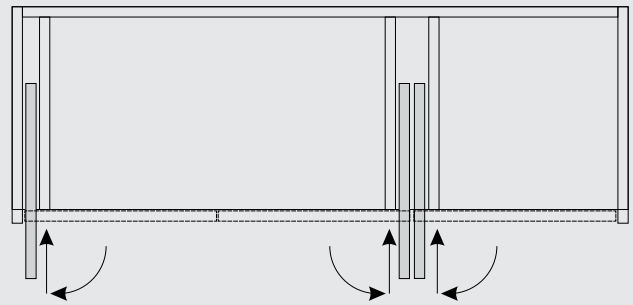
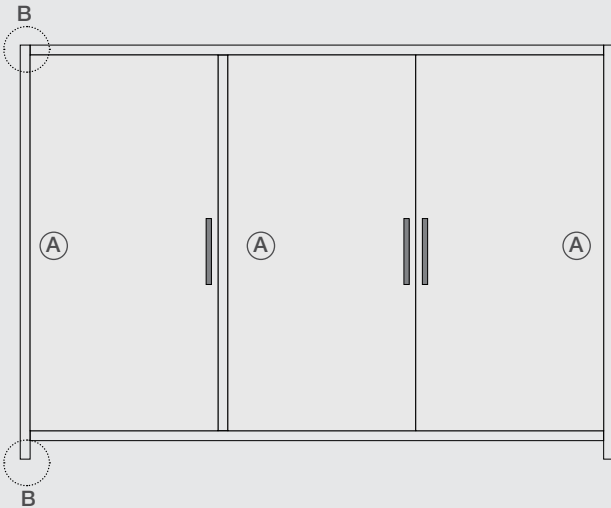


Guide for 2 inset doors



Door closed
Two door with 110mm pocket width

Design option: For inset application

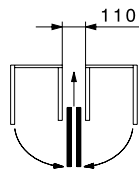
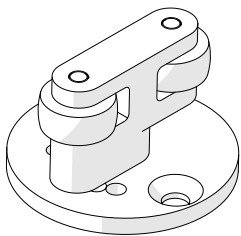


Concepta 25/30

Concepta 40/50

A Concepta fitting set					
	Door height mm	Door weight mm	Cat. No.		Price* (MYR)
For 1 door	1250 - 1850	25	408.30.045	✖	6,672.00
	1851 - 2300	30	408.30.046	🏠	7,171.00
	1851 - 2500	40	408.30.047	✖	9,374.00
	2301 - 2850	50	408.30.048	✖	9,808.00

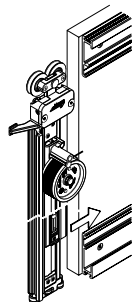
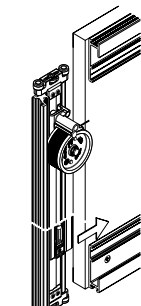
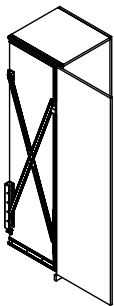
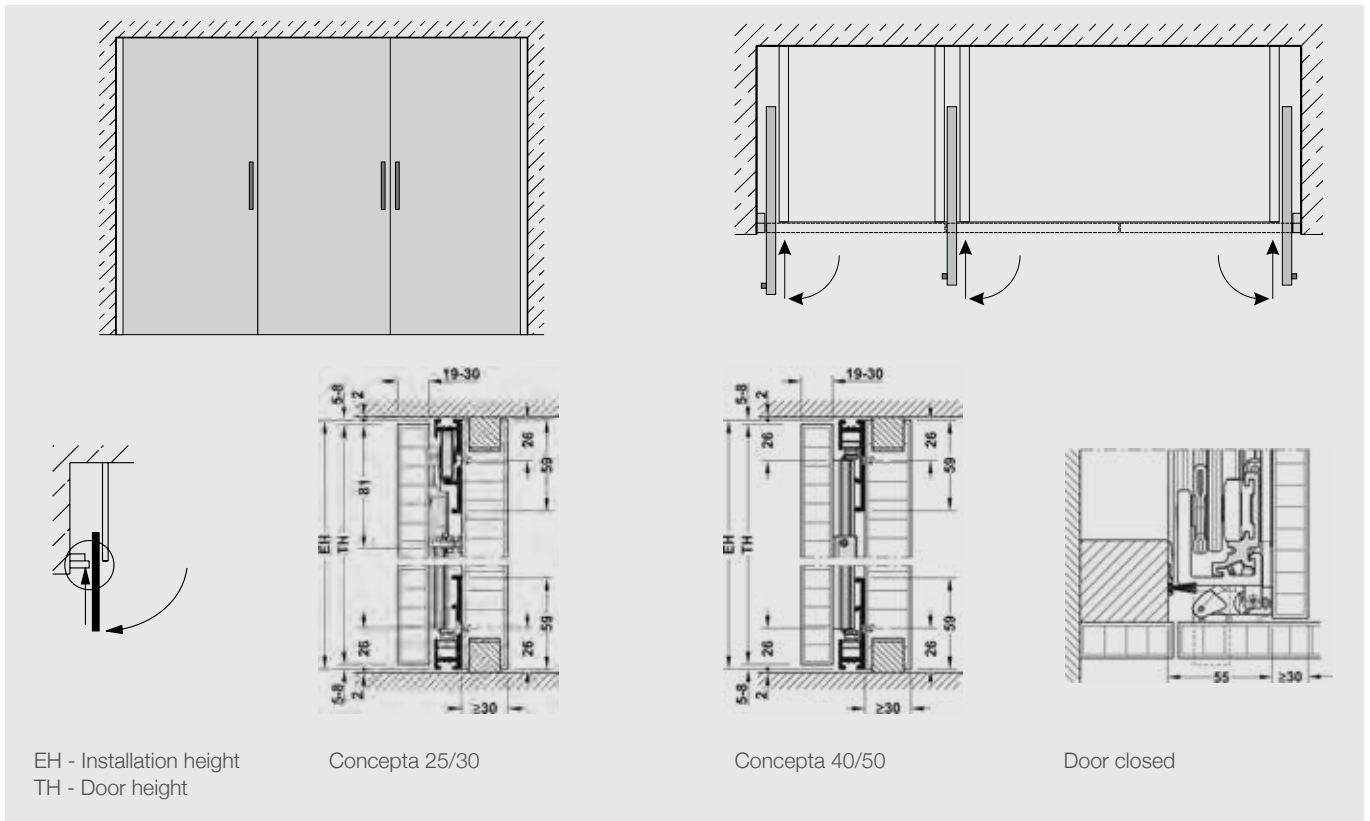
Supplied with 1 set fitting set
Packing: 1 set



B Guide for 2 inset doors				
Material	Finish / Colour	Cat. No.		Price* (MYR)
Aluminium	Plain anodized	408.30.295	✖	425.00

Packing: 1 piece

Design option: For door in wall access



Concepta 25/30

Concepta 40/50

A) Concepta fitting set					
	Door height mm	Door weight mm	Cat. No.		Price* (MYR)
For 1 door	1250 - 1850	25	408.30.045	✘	6,672.00
	1851 - 2300	30	408.30.046	✔	7,171.00
	1851 - 2500	40	408.30.047	✘	9,374.00
	2301 - 2850	50	408.30.048	✘	9,808.00

Supplied with 1 set fitting set
Packing: 1 set

Stock Item Freight Item

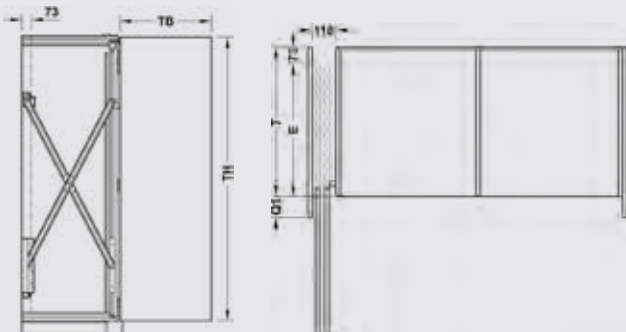
FOLDING CONCEPTA 25



- > The entire cabinet front folds and slides in with a single hand movement
- > Reserved elegance inside and outside thanks to black anodized profiles
- > The combination with HAWA Concepta enables wardrobes and cabinets with 2,3 and 4 doors. Without middle walls
- > Easily tailored for different door dimensions
- > Great freedom of design: flush fitting, room-high, walkable
- > Rattle-proof guides for especially smooth and harmonious movement

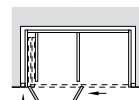


- > Door height: 1,250–1,850 mm or 1,851–2,600 mm
- > Door width: 300–700 mm
- > Door thickness: 19–26 mm
- > Door weight: <25 kg
- > Running gear: 50 kg; 2 rollers
- > Running gear guided by: Ball bearing mounted, plastic coated rollers
- > Mounting: For left and right hand use

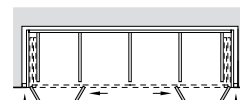


T TB – Q1 + 73 mm
 E T – 73 mm
 Q1 S + 75 mm
 TB door width
 TH door height
 E max. door panel retraction distance measured from the inner side of closed door
 T max. permitted distance for mounting the fitting measured from the inner side of closed door to rear edge of fitting
 S door thickness

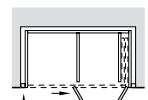
Application



Left hand installation

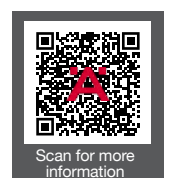
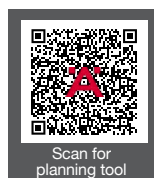


Double installation



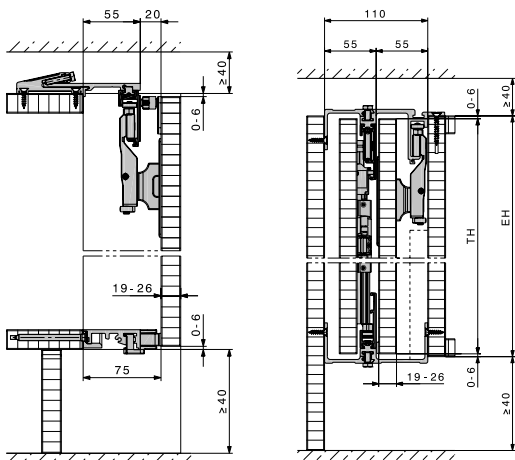
Right hand installation

Note
 We recommend using the strengthening profile for double systems up to max. 2,800 mm without centre panel.



Stock Item Freight Item

Design option: Door from base panel to cabinet top panel (Vorfront)



EH - Installation height

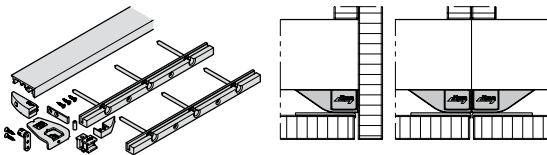
TH - Door height

Folding Concepta Fitting set

	Door height mm	Colour finish	Mounting	Cat. No.	Price* (MYR)
For 1 pair of folding door	1250 - 1850	Colourless anodized	Left	408.31.000	✗ 14,154.00
			Right	408.31.001	✗ 14,154.00
			Left	408.31.002	✓ 15,276.00
			Right	408.31.003	✓ 15,276.00
	1851 - 2600	Black anodized	Left	408.31.004	✗ 15,576.00
			Right	408.31.005	✗ 15,576.00
			Left	408.31.006	✓ 16,847.00
			Right	408.31.007	✓ 16,847.00

Supplied with 1 set fitting set
Packing: 1 set

> Area of application: For flush position of doors from base panel to cabinet top panel with cover caps, contact slope and drilling jig

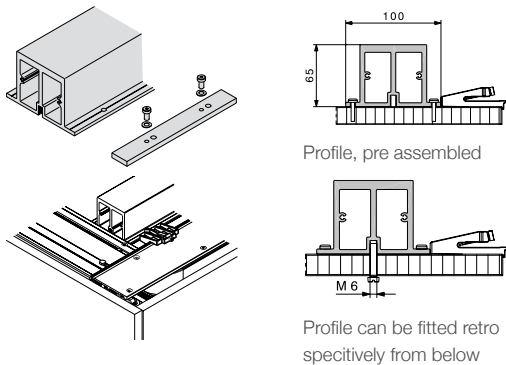


Bottom profile

Length mm	Material	Finish / Colour	Cat. No.	Price* (MYR)
1300	Aluminium	Colourless anodized	408.30.961	✓ 1,285.00
		Black anodized	408.30.430	✓ 1,700.00

Packing: 1 piece

> Area of application: for double systems up to max. 2800 mm without centre panel, with connecting plate,
> max. sagging of furniture cabinet top panel: <2 mm (with closed cabinet front)



Profile, pre assembled

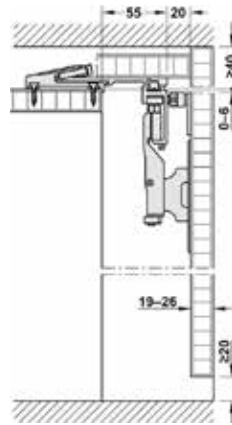
Profile can be fitted retro specitively from below

Strengthening profile for running track (for double installation)

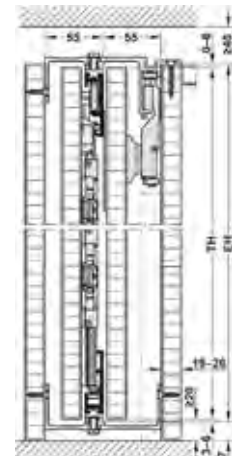
Length mm	Material	Finish / Colour	Cat. No.	Price* (MYR)
2600	Aluminium	Colourless anodized	408.30.970	✓ 2,108.00

Packing: 1 piece

Design option: Door with ceiling connection, without a cabinet base (Vorfront)



EH - Installation height

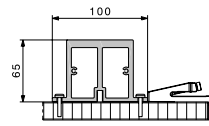
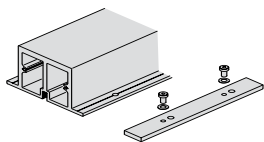


TH - Door height

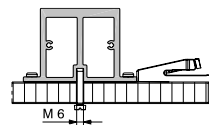
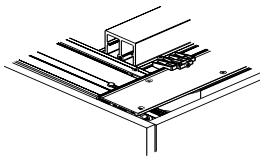
Folding Concepta Fitting set

	Door height mm	Colour finish	Mounting	Cat. No.	Price* (MYR)	
For 1 pair of folding door	1250 - 1850	Colourless anodized	Left	408.31.000	✘	14,154.00
			Right	408.31.001	✘	14,154.00
	Left		408.31.002	✔	15,276.00	
	Right		408.31.003	✔	15,276.00	
	1851 - 2600	Black anodized	Left	408.31.004	✘	15,576.00
			Right	408.31.005	✘	15,576.00
	Left		408.31.006	✔	16,847.00	
	Right		408.31.007	✔	16,847.00	

Supplied with 1 set fitting set
Packing: 1 set



Profile, pre assembled



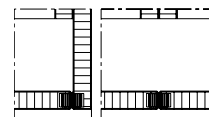
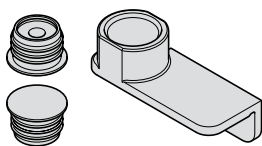
Profile can be fitted retro specitively from below

- > Area of application: for double systems up to max. 2800 mm without centre panel, with connecting plate,
- > max. sagging of furniture cabinet top panel: <2 mm (with closed cabinet front)

Strengthening profile for running track (for double installation)

Length mm	Material	Finish / Colour	Cat. No.	Price* (MYR)
2600	Aluminium	Colourless anodized	408.30.970	✔ 2,108.00

Packing: 1 piece



Flush door centering with magnetic centring components

- > Area of application: for flush position of doors with ceiling connection or from worktop, with drilling jig

Door centring mechanism, magnetic

Material	Finish / Colour	Cat. No.	Price* (MYR)
Aluminium	Colourless anodized	408.30.229	✘ 381.00

Packing: 1 piece

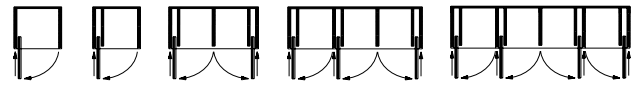
✔ Stock Item ✘ Freight Item

SLIDO ECLIPSE 16 IF/VF

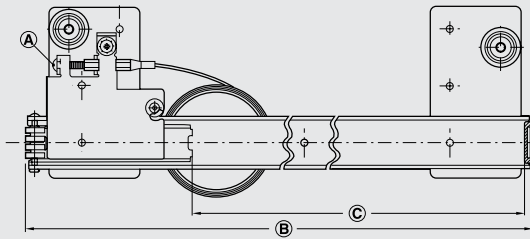


- > Door height: <1,500 mm
- > Door thickness: 16–32 mm with Infront, 19–22 mm with Vorfront
- > Push-in depth: Max. 230–550 mm
- > Material: Runner and cord: Steel, runner roller: Plastic
- > Finish/colour: Guide: Black galvanized, Cable: Black plastic coated, Guide roller: White
- > Installation: For screw fixing into 32 mm series drilled holes

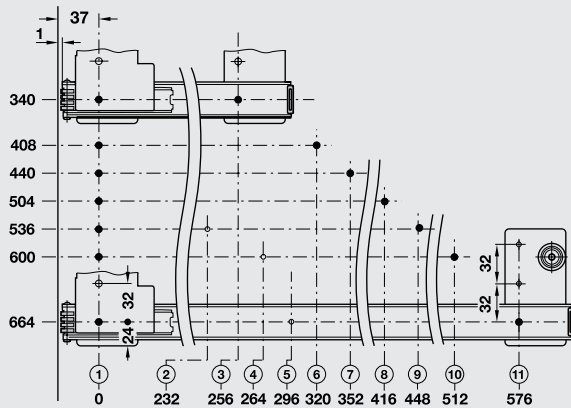
Application



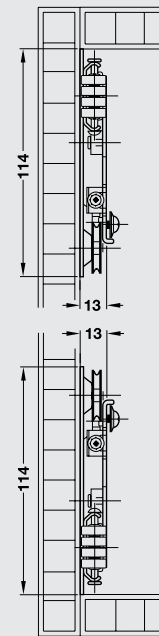
Cable tension adjustment



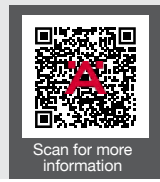
- A** Cable tension adjusting screw
- B** Runner length
- C** Push-in depth



Guide installation



Mount guides directly on the outer side



SLIDO ECLIPSE 16 IF/VF

	Runner length mm	Push-in depth mm	Cat. No.	Price* (MYR)
For 1 door	340	Max. 230	408.25.335 + 408.24.020	✘ 296.00
	408	Max. 294	408.25.340 + 408.24.020	✘ 301.00
	440	Max. 326	408.25.345 + 408.24.020	✔ 304.00
	504	Max. 390	408.25.350 + 408.24.020	✔ 308.00
	536	Max. 422	408.25.355 + 408.24.020	✔ 312.00
	600	Max. 486	408.25.360 + 408.24.020	✔ 319.00
	664	Max. 550	408.25.365 + 408.24.020	✘ 325.00

Supplied with 1 pair runner, 2 pieces cable with adjusting screw and 1 set door fixing set (2 pieces 94° half overlay concealed hinge, 2 pieces mounting plate, 2 pieces pivot roller and 4 pieces fixing screw).

Packing: 1 set



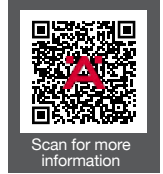
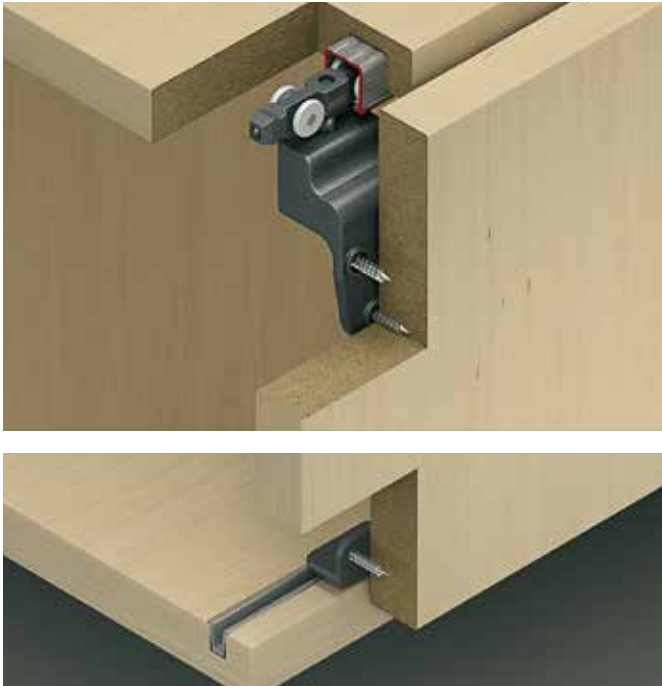


SLIDING CABINET DOORS

A wide range of design options are available with sliding doors. They save space and create room to live. High quality furniture, walk-in wardrobes and flexible room dividers are easy to implement, and the home office can be concealed.

Häfele offers a wide, constantly enhancing range of products with outstanding quality, which also contains solutions for complex requirements.

SLIDO CLASSIC 20 VF C

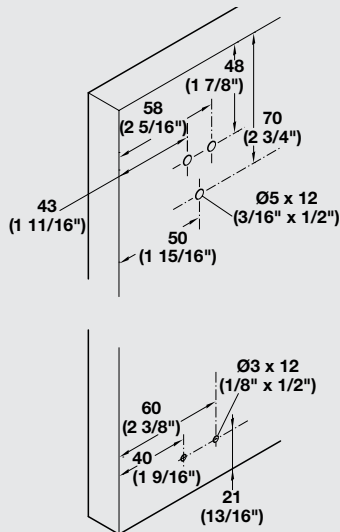


- > Door height: <1,400 mm
- > Door width: <1,250 mm, min. 530 mm with soft closing mechanism on both sides
- > Door thickness: 16–19 mm
- > Door stopper: Top clip-in door stopper or soft and self closing mechanism, for sliding into running track
- > Material: Running gear and guide: Plastic; mounting plate: Zinc alloy
- > Running gear: Top running, 4 rollers
- > Running gear guided by: Friction bearing mounted roller: Plastic, axle: Steel
- > Adjustment facility: Height ±2 mm on running gear using adjusting wheel
- > Installation: Mounting plate for screw fixing, running gear for sliding in and screw fixing, guide for screw fixing to door

Note

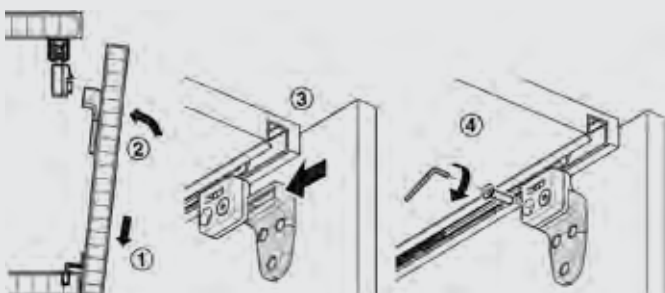
The dimensions 48/70 are increased by 14 mm when using mounting rails for screw fixing. Dimensions that are measured from the outer edge of the door must be adapted accordingly where doors overlap the side panel.

Drilling Pattern

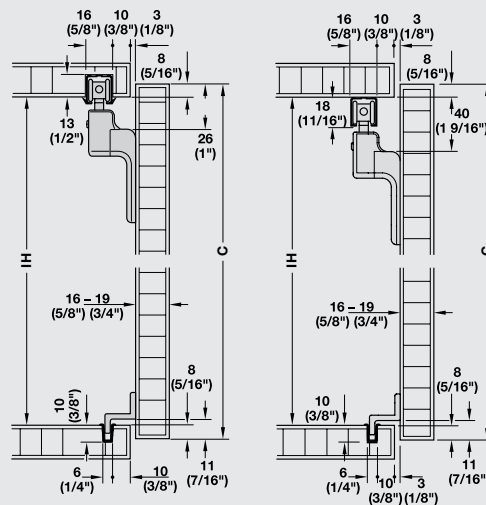



* = when using inspection support + 43 mm

Door installation



Installation dimensions



Slido Classic 20 VF C Basic fitting set				
	Supplied with	Cat. No.		Price* (MYR)
For 1 door (with soft and self close mechanism on both sides, 20kg)	2 pieces running gears with soft and self closing mechanism	402.33.031		406.00
	2 door stoppers for soft and self closing mechanism			
	2 pieces guides			
	1 piece mounting aid			

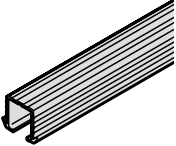


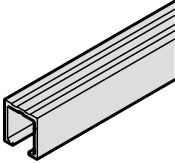


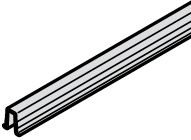


Packing: 1 set

Order reference

Please order running and guide tracks separately.

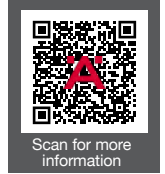
Note

The pitch length of the running gears must be min. 425 mm with soft closing mechanism on both sides. mechanism on both sides.

Tracks and individual components						
		Cabinet top panel thickness mm	Material / Finish	Length mm	Cat. No.	Price* (MYR)
Single top running track, for press fitting and glue fixing into groove 16mm or for screw fixing with countersunk head screws 3mm		Glue fixing: Min. 19 Screw fixing: Min. 30	Aluminium / Bright, visible surfaces grooved	2500	402.33.642	 163.00
				3500	402.33.643	 232.00
Single top running track, for screw fixing with countersunk head screws 3.5mm		Min. 19	Aluminium / Silver coloured anodized	2500	402.30.642	 203.00
				3500	402.30.643	 301.00
Single bottom guide track, with harpoon rib, for press fitting and glue fixing into groove 6 mm		Min. 19	Plastic / Grey	2500	402.30.802	 50.00
				2500	402.30.803	 69.00

Packing: 1 piece

FINETTA T 70 VF D

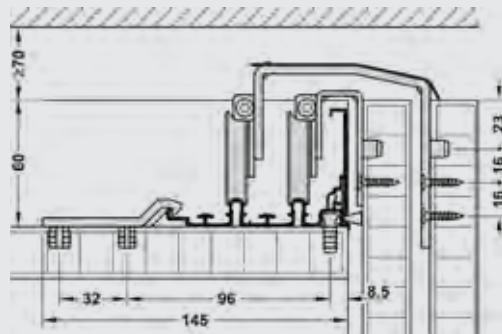


- > Door thickness: Up to 23 mm, up to 30 mm or up to 50 mm
- > Door width: >600 mm with 2 doors, >830 mm with 3 doors
- > Door stopper: Soft and self closing mechanism in both directions
- > Running gear: Top running, 1 roller
- > Adjustment facility: Height $\pm 5/-0$ mm on running gear using screw
- > Running gear guided by: Ball bearing mounted roller: Plastic
- > Installation: Running gear and guide for screw fixing, track for screw fixing or clip fixing
- > Distance: From floor >17 mm
- > Version: With soft closing mechanism, with brush seal

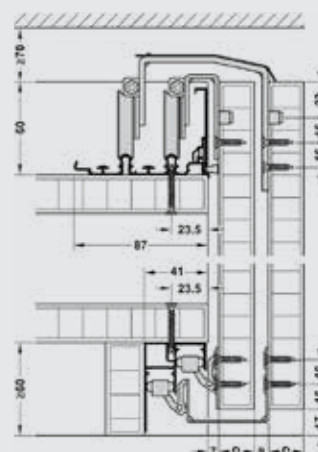


> New magnetic damper allows the light, silent and smooth movement features to reach new standards
 > Front panel conceals all set components

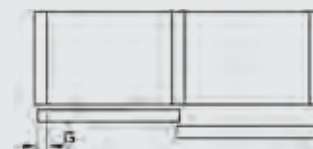
Installation dimensions



With clips

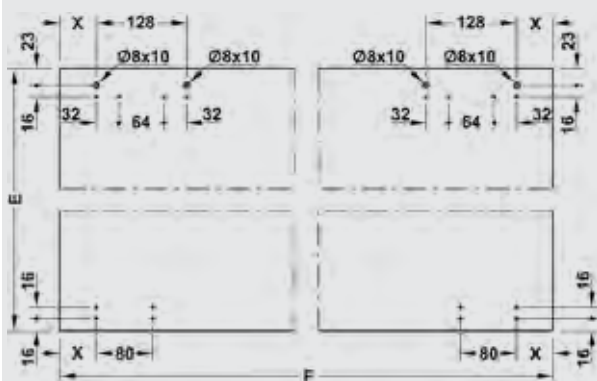


For screw fixing

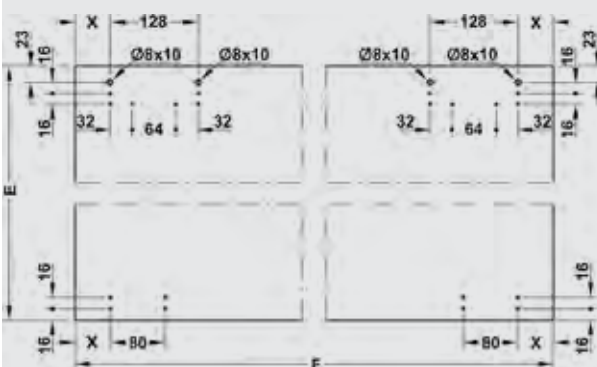


- D Door thickness
- E Door height
- F Door width
- G Door overlap on cabinet side panel
- X Drill hole for front fixing
- X = G + 41 mm

Drilling pattern for front door



Drilling pattern for rear door

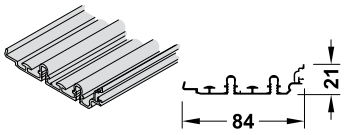
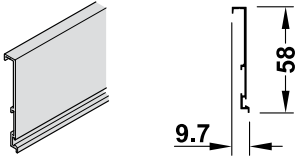
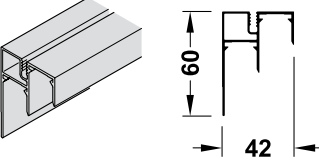
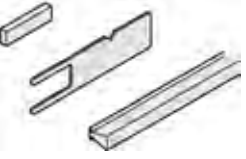


Finetta T 70 VF D Fitting set					
	Supplied with		Cat. No.		Price* (MYR)
For 2 doors	4 pieces running gears	up to 23	405.36.006	✘	2,818.00
	4 pieces guides				
	2 pieces door followers	up to 30	405.36.007	✘	2,821.00
	8 pieces door stoppers (4 pieces stoppers)				
	4 pieces for soft and self closing mechanism	up to 50	405.36.008	✘	2,873.00
	2 pieces soft and self closing mechanism, magnetic				
	1 piece handle guard				
For 3 doors	6 pieces running gears	up to 23	405.36.016	✘	3,925.00
	6 pieces guides				
	3 pieces door followers	up to 30	405.36.017	✘	3,929.00
	10 pieces door stoppers (4 pieces stoppers)				
	6 pieces for soft and self closing mechanism	up to 50	405.36.018	✘	3,981.00
	3 pieces soft and self closing mechanism, magnetic				
	2 piece handle guards				

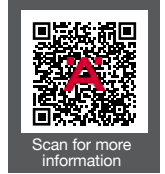
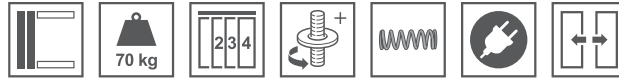
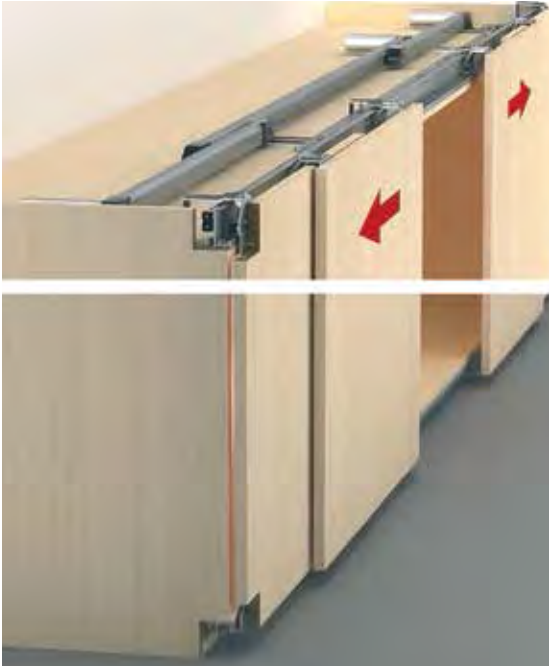
Packing: 1 set

Order reference

Please order running and guide tracks separately.

Tracks and individual components					
		Material / Finish	Length mm	Cat. No.	Price* (MYR)
Double running track, for front cover		Aluminium / Bright, visible surfaces grooved	2500	405.36.630 ✘	519.00
			3500	405.36.631 ✘	707.00
Front cover		Aluminium / Silver coloured anodized	2500	405.36.712 ✘	260.00
			3500	405.36.713 ✘	344.00
Double guide track		Aluminium / Silver coloured anodized	2500	405.36.802 ✘	487.00
			2500	405.36.803 ✘	662.00
Brush and magnetic holder for front cover		Aluminium / Silver coloured anodized	3 x 1000	405.36.400 ✘	150.00
			4 x 1000	405.36.401 ✘	177.00

SLIDO CLASSIC 70 VF A

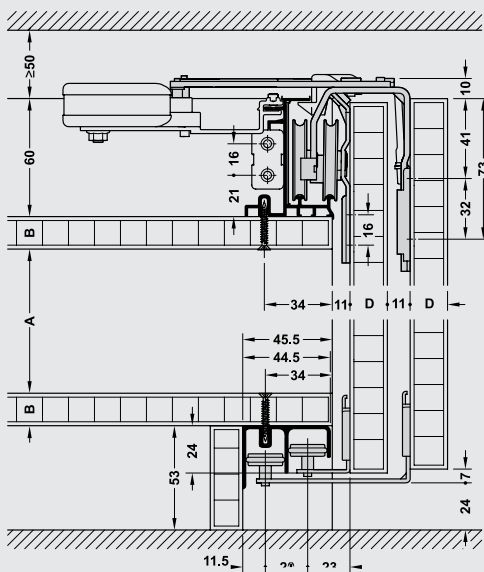


- > Door thickness: $\leq 28\text{mm}$
- > Material: Running gear and guide: Steel, running track: Aluminium anodized, guide track: Aluminium
- > Running gear: Top running, 1 roller
- > Running gear guided by: Ball bearing mounted roller: Plastic
- > Adjustment facility: Per pair of doors, on one side $\pm 2\text{ mm}$
- > Installation: Running gear and guide clip for screw fixing to door, guide for clip fixing, top running track for screw fixing to cabinet from inside, bottom guide track for screw fixing to cabinet from inside
- > Installation depth: Min. cabinet depth 400 mm

- > Excellent running properties
- > Modular design (Smuso, e-drive, synchro unit)
- > The components are concealed behind the running track

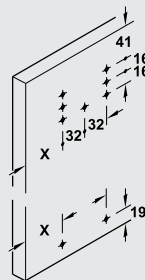


Installation dimensions



Door height = $A + 2 \times B + 82\text{ mm}$

Drilling Pattern



- X = $G + 40\text{ mm}$
- G Door overlap on cabinet side panel
- A Internal cabinet height
- B Cabinet top panel and base panel thickness
- D Door thickness


Note

Complete sets dampen the closing action as well as the opening action in combination with Smuso soft and self closing mechanism.

Standard door positions:

Panorama wardrobe style (4 doors, both front centre doors open synchronously):


Strengthening profile for reinforcing the cabinet construction available

Slido Classic 70 VF A					
	Supplied with	Door thickness mm	Cat. No.		Price* (MYR)
For 4 synchronized running doors	4 pieces running gears with e-drive/Smuso connection	≤ 28mm	402.35.010		1,651.00
	4 pieces running gears with height adjustment				
	8 pieces guides				
	8 pieces fixing clips				
	1 piece synchro unit				


Packing: 1 set

Order reference

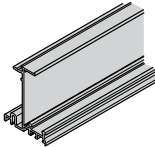

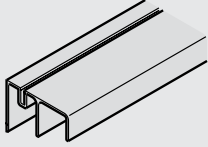


The e-drive sliding door drive, Smuso soft and self closing mechanism, running and guide tracks are not included in the basic fitting set. Please order these sets or tracks separately. Please order e-drive set in accordance with the cabinet width and Smuso soft and self closing mechanism set in accordance with the door weight. Either e-drive or Smuso must be used in order to guarantee the functionality of the entire system.

e-drive Electric sliding door drive					
	Supplied with	Suitable for	Cat. No.		Price* (MYR)
For 4 synchronized running doors	3 pieces e-drive connections	Cabinet width 3100–3600 mm	402.35.031		7,929.00
	1 piece e-drive sliding door drive				
	1 piece Control unit				
	1 piece Synchro connecting plate				

Packing: 1 set

Smuso Soft and self closing mechanism					
	Supplied with	Suitable for	Cat. No.		Price* (MYR)
For 4 synchronized running doors	6 Soft closing mechanism connection profiles	Door weights up to 70 kg	402.35.034		1,897.00
	2 Follower brackets				
	6 Smuso soft closing mechanism units				
	1 Synchro connecting plate				
	1 Soft closing mechanism activator				

Packing: 1 set

Tracks and individual components					
		Material / Finish	Length mm	Cat. No.	Price* (MYR)
Running track		Aluminium / Silver coloured anodized	6000	402.35.660	 741.00
Double bottom guide track, for screw fixing		Aluminium / Silver coloured anodized	6000	400.52.956	 369.00
Strengthening profile for panorama wardrobe styles		Steel / Galvanized	2300	402.35.500	 585.00

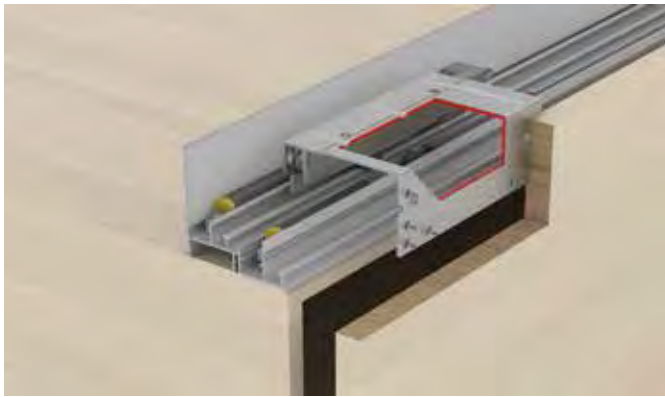
Packing: 1 piece

Order reference

For panorama wardrobe styles with Synchro from span widths of 1,200 mm we recommend using a strengthening profile in the Synchro area. A centre panel is then not required.

 Stock Item  Freight Item

SPACE AIR 80 VF

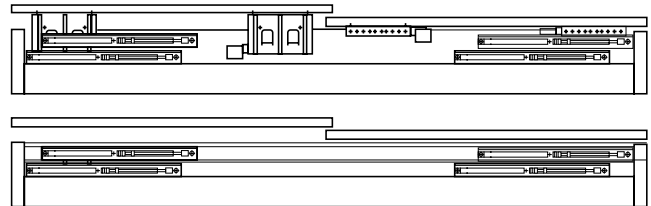


- > Door thickness: $\leq 28\text{mm}$
- > Material: Running gear and guide: Steel, running track: Aluminium anodized, guide track: Aluminium
- > Running gear: Top running, 1 roller
- > Running gear guided by: Ball bearing mounted roller: Plastic
- > Installation: Running gear and guide clip for screw fixing to door, guide for clip fixing, top running track for screw fixing to cabinet from inside, bottom guide track for screw fixing to cabinet from inside

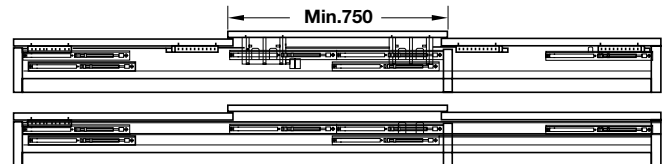
> Equipped with anti-jumping system, allows to use it with a single track and a single drilling, for the patented air soft closing dampers, giving the product a maximum versatility



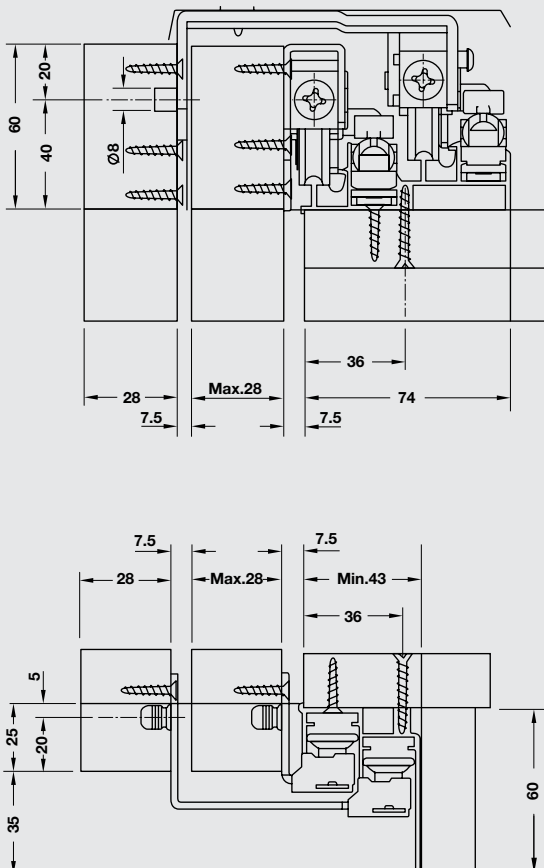
2 doors application





3 doors application



Drilling Pattern








Space air 80 VF Basic fitting set				
	Supplied with	Door thickness mm	Cat. No.	Price* (MYR)
For 2 doors	2 pieces running gear for front door	≤ 28mm	406.78.026 	728.00
	2 pieces running gear for rear door			
	2 pieces guide for front door			
	2 pieces guide for rear door			
	4 pieces door stopper for top			
	4 pieces door stopper for bottom			
	1 set fixing material			
For 3 doors	3 pieces running gear for front door	≤ 28mm	406.78.032 	1,022.00
	3 pieces running gear for rear door			
	3 pieces guide for front door			
	3 pieces guide for rear door			
	6 pieces door stopper for top			
	6 pieces door stopper for bottom			
	1 set fixing material			

Packing: 1 set

Order reference

Please order running and guide tracks separately.

The soft closing mechanism is not included in the set. Please order soft closing mechanism on both sides separately.

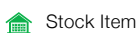
Tracks and individual components				
	Material / Finish	Length mm	Cat. No.	Price* (MYR)
Running track	Aluminium / Silver coloured anodized	2500	406.78.922 	394.00
		3500	406.78.923 	552.00
Double bottom guide track, for screw fixing	Aluminium / Silver coloured anodized	2500	407.47.002 	175.00
		3500	407.47.004 	230.00
Soft close mechanism	Plastic	-	406.78.310 	182.00

Packing: 1 piece

Note:

For cabinet with 2 doors: 4 pieces soft closing mechanism for 2 doors

For cabinet with 3 doors: 6 pieces soft closing mechanism for 3 doors



Stock Item



Freight Item



FOR LARGE CABINET DOORS & WARDROBES

For end and centre folding cabinet doors, ideal for small cabinets or large wardrobes.

SLIDO FOLD 40 MF/VF

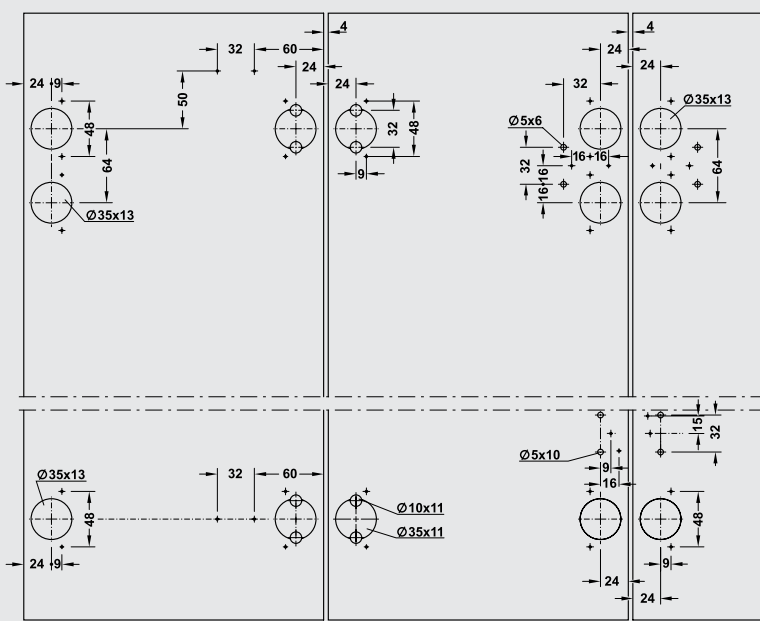


- > Door width: <math>< 500\text{ mm}</math>
- > Door thickness: 19–27 mm
- > Door weight: 20 kg (40 kg per pair of doors)
- > Adjustment facility: $\pm 1.5\text{ mm}$ on running gear
- > Running gear: Top running, 2 rollers
- > Running gear guided by: Ball bearing mounted roller: Plastic
- > Version: Free moving or mounted on cabinet side panel with concealed hinges
- > Guide: Bottom running, 2 plastic rollers

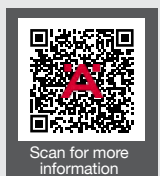
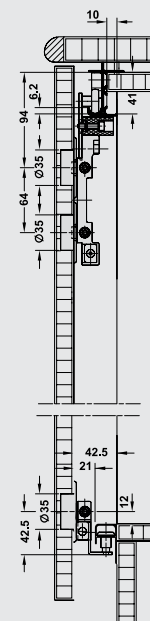
- > Door stacks can consist of any number of individually coupled and free moving doors
- > Smooth and automatic stacking of coupled door pairs
- > Bottom guide is not required for doors connected at the side



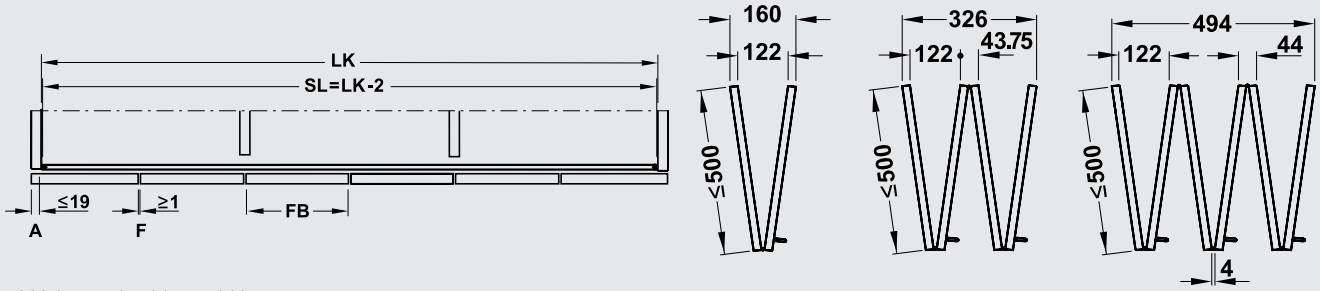
Drilling Pattern for door



Installation dimensions



Calculation of door width



LK internal cabinet width

FB door width

A door overlay

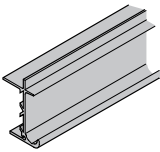
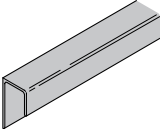
F gap width

$FB = \frac{LK + (2 \times A) - (\text{number of gaps} \times F \text{ mm})}{\text{Number of doors}}$

Slido Fold 40 MF/VF

	Supplied with	Cat. No.		Price* (MYR)
For 2 pieces of door	Fitting set	410.25.000 x 1	✘	974.00
For 4 pieces of door	Fitting set	410.25.000 x 2	✘	2,085.00
	Connecting set, for connecting pairs of doors, stacking system	410.25.408 x 1	✘	
For 6 pieces of door	Fitting set	410.25.000 x 3	✘	3,096.00
	Connecting set, for connecting pairs of doors, stacking system	410.25.408 x 2	✘	

Note: Please order top running track and bottom guide track separately.

	Material / Finish	Length mm	Cat. No.		Price* (MYR)
Running track, not pre drilled 	Aluminium / Silver coloured anodized	2500	410.25.622	✘	361.00
		5000	410.25.625	✘	668.00
Guide track, not pre drilled 	Aluminium / Silver coloured anodized	2500	410.25.812	✘	214.00
		5000	410.25.815	✘	400.00

Packing: 1 piece

SLIDO FOLD 70 MF/VF

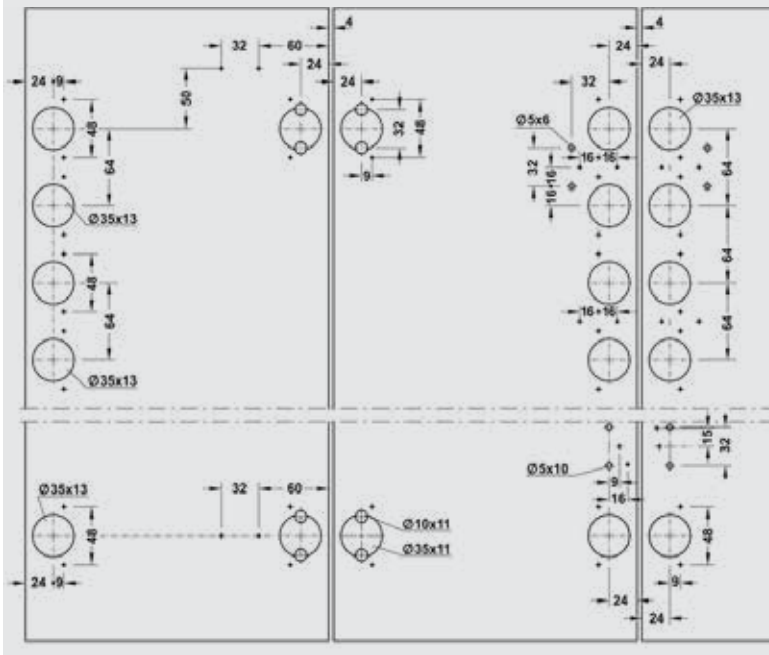


- > Door width: Max. 500 mm
- > Door thickness: 19–27 mm
- > Door weight: 35 kg (70 kg per pair of doors)
- > Adjustment facility: ± 1.5 mm on running gear
- > Running gear: Top running, 2 rollers
- > Running gear guided by: Ball bearing mounted roller: Plastic
- > Version: Free moving or mounted on cabinet side panel with concealed hinges
- > Guide: Bottom running, 2 plastic rollers, with 1 concealed hinge

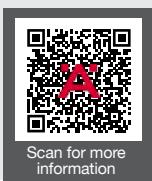
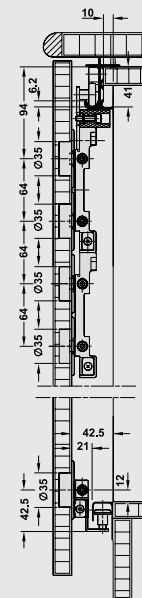
- > Door stacks can consist of any number of individually coupled and free moving doors
- > Smooth and automatic stacking of coupled door pairs
- > Bottom guide is not required for doors connected at the side



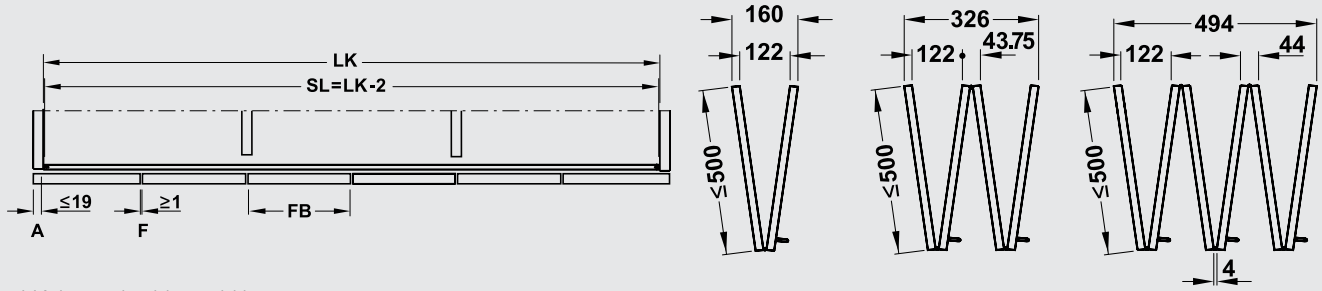
Drilling Pattern for door



Installation dimensions








Calculation of door width



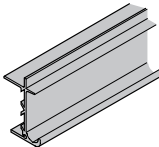


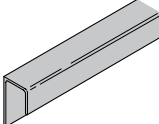


LK internal cabinet width
 FB door width
 A door overlay
 F gap width

$$FB = \frac{LK + (2 \times A) - (\text{number of gaps} \times F \text{ mm})}{\text{Number of doors}}$$

Slido Fold 40 MF/VF

	Supplied with	Cat. No.	Price* (MYR)
For 2 pieces of door	Fitting set	410.25.001 x 1 	1,013.00
For 4 pieces of door	Fitting set	410.25.001 x 2 	2,094.00
	Connecting set, for connecting pairs of doors, stacking system	410.25.408 x 1 	
For 6 pieces of door	Fitting set	410.25.001 x 3 	3,175.00
	Connecting set, for connecting pairs of doors, stacking system	410.25.408 x 2 	

Note: Please order top running track and bottom guide track separately.

	Material / Finish	Length mm	Cat. No.	Price* (MYR)
Running track, not pre drilled 	Aluminium / Silver coloured anodized	2500	410.25.622 	281.00
		5000	410.25.625 	520.00
Guide track, not pre drilled 	Aluminium / Silver coloured anodized	2500	410.25.812 	166.00
		5000	410.25.815 	311.00

Packing: 1 piece

PLANOFIT

ACCESSORIES FOR SLIDING DOOR



- > Area of application: For sliding doors, prevents doors warping in either direction or straightens doors which have become warped
- > Door height: Max. 2,400 mm or 2,650 mm
- > Door thickness: Min. 16 mm
- > Material: Threaded bar: Steel, tensioner: Zinc alloy, trim strip, cover caps and retaining plate: Plastic
- > Finish: Threaded bar: Bright, tensioner: Bright
- > Installation: Can also be retrofitted for doors which have become warped

Planofit straightening fitting					
Door height mm	Threaded bar length mm	Trim strip length mm	Cat. No.		Price* (MYR)
Max. 2400	1920	1863	407.90.200		143.00
Max. 2650	2195	2138	407.90.201		152.00

1 set of Planofit straightening fitting supplied with 1 piece threaded bar, 1 piece trim strip, 2 pieces tensioners, 1 piece Hexagonal nut, 1 piece square nut, 2 pieces cover caps, 4 pieces plastic retaining plates, 2 pieces lock washers, and installation instructions.

Packing: 2 sets

Note
 2 straightening fittings recommended per door leaf.
 Not suitable for hardwood!
 Please note when using this product in combination with lacquered panels, a pattern of the routed recesses may emerge on the front

Drilling pattern

- A** Lock washer
- B** Hexagonal nut
- C** Threaded bar
- D** Trim strip
- E** Top tensioner
- F** Retaining plate
- G** Bottom tensioner
- H** Square nut



We reserve the right to alter specifications without notice.

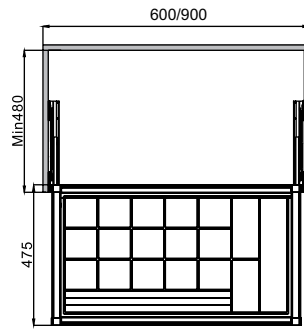
WARDROBE
ACCESSORY &
LIVING ROOM





A clever range of simple storage solutions to maximise the potential of your wardrobe, closet or storage space.

ACCESSORIES

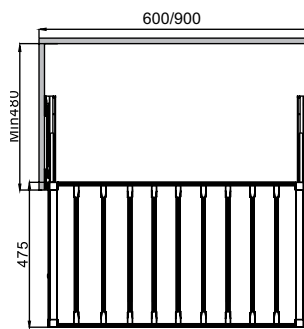


- > Version: Pull-out frame on concealed runners, full extension with self and soft closing
- > Material: Frame aluminium, runners steel
- > Finish: Frame mocca powder coated, runners galvanized
- > Load capacity: 30 kg
- > 25 mm each, left and right side adjustable

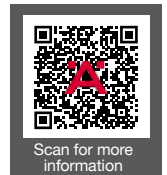


Jewellery tray				
Cabinet width mm	Dim, (W x D x H) mm	Cat. No.		Price* (MYR)
600	564 x 475 x 80	807.95.101		565.00
900	864 x 475 x 80	807.95.104		733.00

Packing: 1 piece

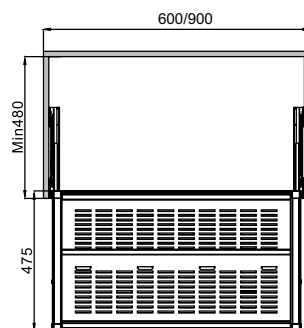


- > Version: Pull-out frame on concealed runners, full extension with self and soft closing
- > Material: Frame aluminium, runners steel
- > Finish: Frame mocca powder coated, runners galvanized
- > Load capacity: 30 kg
- > 25 mm each, left and right side adjustable

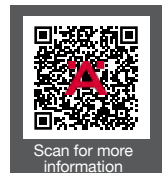


Trouser rack				
Cabinet width mm	Dim, (W x D x H) mm	Cat. No.		Price* (MYR)
600	564 x 475 x 60	807.95.121		398.00
900	864 x 475 x 60	807.95.124		503.00

Packing: 1 piece



- > Version: Pull-out frame on concealed runners, full extension with self and soft closing
- > Material: Frame aluminium, runners steel
- > Finish: Frame mocca powder coated, runners galvanized
- > Load capacity: 30 kg
- > 25 mm each, left and right side adjustable

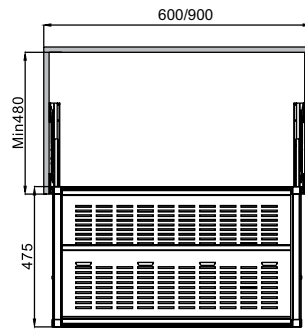


Steel sheet basket				
Cabinet width mm	Dim, (W x D x H) mm	Cat. No.		Price* (MYR)
600	564 x 475 x 150	807.95.151		619.00
900	864 x 475 x 150	807.95.154		747.00

Packing: 1 piece

Stock Item Freight Item

ACCESSORIES



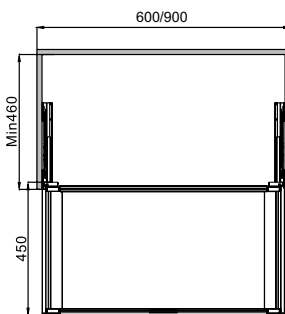
- > Version: Pull-out frame on concealed runners, full extension with self and soft closing
- > Material: Frame aluminium, runners steel
- > Finish: Frame mocca powder coated, runners galvanized
- > Load capacity: 30 kg
- > 25 mm each, left and right side adjustable



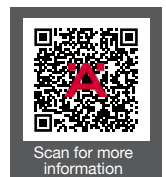
Steel shoe rack

Cabinet width mm	Dim, (W x D x H) mm	Cat. No.	Price* (MYR)
600	564 x 475 x 180	807.95.161	533.00
900	864 x 475 x 180	807.95.164	703.00

Packing: 1 piece



- > Version: Pull-out frame on concealed runners, full extension with self and soft closing
- > Material: Frame aluminium, runners steel
- > Finish: Frame mocca powder coated, runners galvanized
- > Load capacity: 30 kg
- > 25 mm each, left and right side adjustable



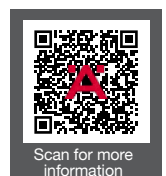
Glass drawer

Cabinet width mm	Dim, (W x D x H) mm	Cat. No.	Price* (MYR)
600	564 x 475 x 130	807.95.171	489.00
900	864 x 475 x 130	807.95.174	604.00

Packing: 1 piece



- > Material: Glass/Plastic
- > Finish: Mocca



Glass divider for glass drawer set

Cat. No.	Price* (MYR)
Glass divider	807.96.420

Supplied with 1 piece glass 413 x 77mm, 1 piece glass 120 x 77mm and 4 pieces plastic glass supports

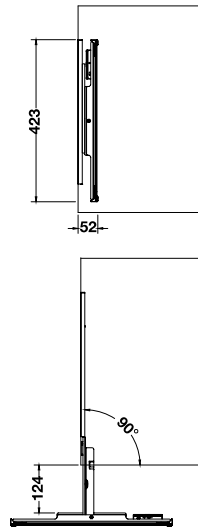
Packing: 1 piece

Stock Item

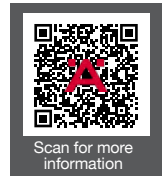
Freight Item



ACCESSORIES



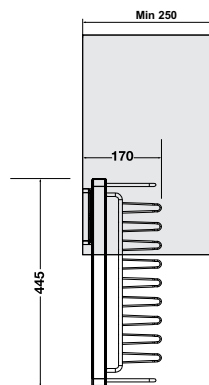
- > Version: Mirror bracket on ball bearing runners with self and soft closing
- > Material: Bracket aluminium, runners steel
- > Finish: Bracket mocca powder coated, runners galvanized
- > Pivot points at end of runners
- > LED sensor activates by mirror rotating
- > Left and right rotatable



LED rotating mirror

Cabinet width mm	Dim, (W x D x H) mm	Cat. No.	Price* (MYR)
Min. 400	52 x 423 x 1,040	807.95.190	688.00

Packing: 1 piece



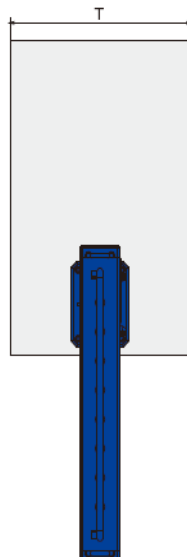
- > Version: Pull-out frame on ball bearing runners with self and soft closing
- > Material: Frame aluminium, rack and runners steel
- > Finish: Frame and rack mocca powder coated, runners galvanized
- > Installation: Side mounted
- > Left and right rotatable



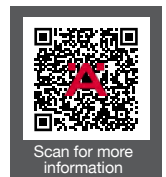
Tie and belt rack

Cabinet width mm	Dim, (W x D x H) mm	Cat. No.	Price* (MYR)
Min. 250	170 x 445 x 85	807.96.110	212.00

Packing: 1 piece



- > Version: Pull-out frame on ball bearing runners with self and soft closing
- > Material: Frame aluminium, rack and runners steel
- > Finish: Frame and rack mocca powder coated, runners galvanized
- > Installation: Top mounted



Pull out clothes hanger

Cabinet width mm	Dim, (W x D x H) mm	Cat. No.	Price* (MYR)
Min. 250	160 x 445 x 85	805.00.150	212.00

Packing: 1 piece


Stock Item Freight Item

WARDROBE RAIL SQUARE

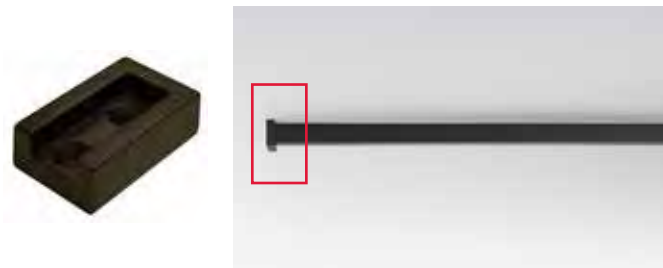


- > Material: Aluminium
- > Finish: Mocca
- > Dimension: 34 x 12 x thick 2.5mm

Wardrobe rail rectangular


Length mm	Cat. No.	Price* (MYR)
3,000	804.21.103 	141.00

Packing: 1 piece



- > Material: Zinc alloy
- > Finish: Mocca

Rail end support


Cat. No.	Price* (MYR)
804.21.190 	15.00

Packing: 1 , 100 or 500 piece



- > Material: Zinc alloy
- > Finish: Mocca

Rail end support


Cat. No.	Price* (MYR)
804.21.199 	18.00

Packing: 1 , 100 or 500 piece



- > Material: Zinc alloy
- > Finish: Mocca

Rail centre support

Cat. No.	Price* (MYR)
804.21.191 	17.00

Packing: 1 piece



WARDROBE FITTINGS

From a spacious walk-in wardrobe to a full height space saving solution, we have wardrobe fittings to suit every application. Available in a range of finishes, you can be sure to find storage to match your needs.

WARDROBE LIFT FOR MOUNTING ON SIDE PANEL

5
YEARS

MADE IN
EUROPE



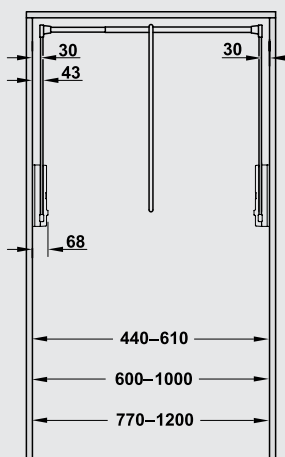
- > Material: Arm and clothes rail: Steel, pull rod, housing and connecting parts: Plastic
- > For internal cabinet width: 600 - 1200mm
- > Load bearing capacity: 1.6 - 10kg
- > Installation: For screw fixing to side panel
- > Fixing material supplied



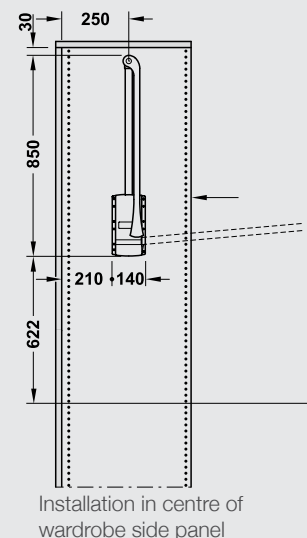
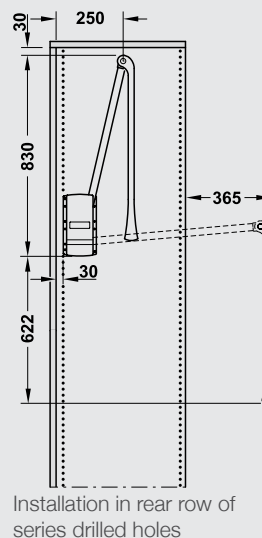
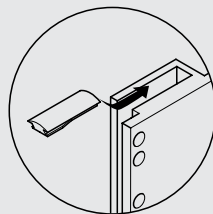
Finish	Dim, (W x D x H) mm	Cat. No.	Price* (MYR)
Grey	600 - 1000	805.20.532	622.00
	770 - 1200	805.20.557	622.00
Black	770 - 1200	805.20.255	622.00

Packing: 1 set

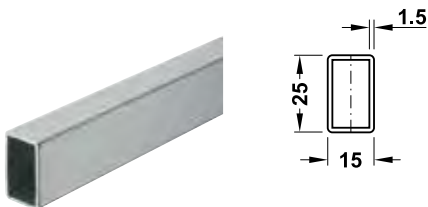
Note: Plastic clip or soft opening mechanism must be installed in order to protect the housing



Note
Only use tilting device if the wardrobe lift is fitted in the rear row of series drilled holes



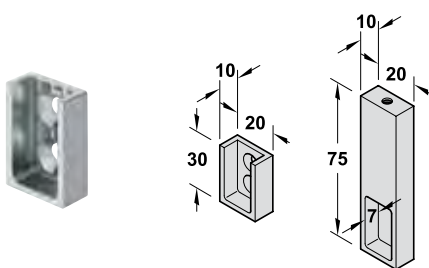
WARDROBE RAIL SQUARE



- > Material: Stainless steel
- > Finish: Satin brushed
- > Dimension: 25 x 15 x thick 1.5mm

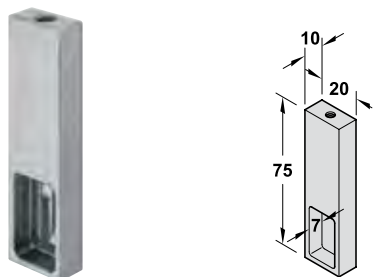
Wardrobe rail square			
Length mm	Cat. No.		Price* (MYR)
2,000	801.37.013		453.00

Packing: 1 piece



- > Material: Stainless steel
- > Finish: Satin brushed
- > For screw fixing to side panel

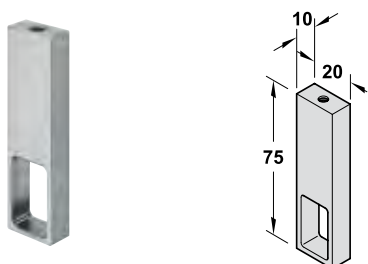
Rail end support		
Cat. No.		Price* (MYR)
803.42.090		114.00



- > Material: Stainless steel
- > Finish: Satin brushed
- > For screw fixing beneath shelf

Rail end support		
Cat. No.		Price* (MYR)
803.42.070		253.00

Packing: 1 piece



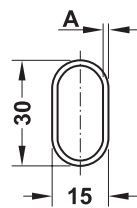
- > Material: Stainless steel
- > Finish: Satin brushed
- > For screw fixing beneath shelf

Rail centre support		
Cat. No.		Price* (MYR)
802.11.010		253.00

Packing: 1 piece

Stock Item Freight Item

WARDROBE RAIL OVAL

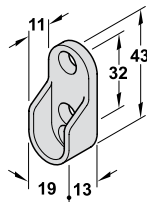


- > Material: Aluminium
- > Finish: Anodized
- > Dimension: 30 x 15 x thick 1.5mm

Wardrobe rail oval

Length mm	Cat. No.	Price* (MYR)
3,000	801.21.936 	42.00

Packing: 1 piece

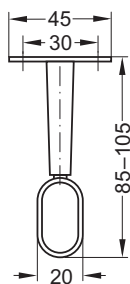


- > Material: Zinc alloy
- > Finish: Nickel plated
- > For screw fixing to side panel with 3 screw holes

Rail end support

Cat. No.	Price* (MYR)
803.33.757 	3.00

Packing: 1, 100 or 500 piece



- > Material: Zinc alloy
- > Finish: Chrome plated
- > For screw fixing beneath shelves, height adjustment 85 -105mm

Rail centre support

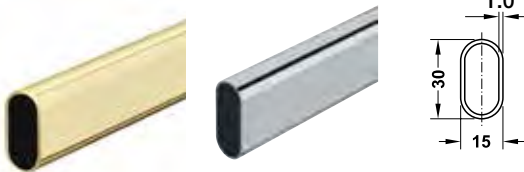
Cat. No.	Price* (MYR)
802.07.200 	36.00

Packing: 1 piece

WARDROBE RAIL
OVAL



- > Material: Aluminium
- > Finish: Anodized
- > Dimension: 30 x 15 x thick 1.0mm
- > Length: 2,500mm



Wardrobe rail oval			
Colour finish	Cat. No.		Price* (MYR)
Brass plated clear lacquered	801.14.522	✘	127.00
Chrome plated	801.13.222	✘	88.00

Packing: 1 piece

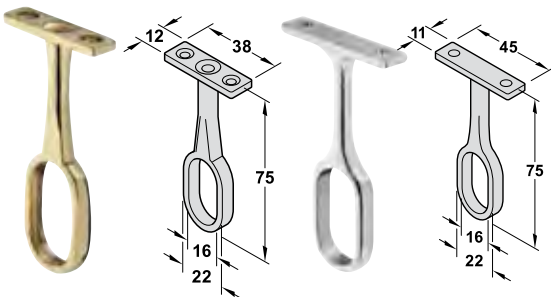
- > Material: Stainless steel
- > Finish: Satin brushed
- > For screw fixing to side panel with 3 screw holes



Rail end support			
Colour finish	Cat. No.		Price* (MYR)
Brass plated	803.25.560	✘	5.00
Chrome plated	803.25.260	✘	11.00

Packing: 1 piece

- > Material: Zinc alloy
- > For screw fixing beneath shelves, height adjustment 85 -105mm



Rail centre support			
Colour finish	Cat. No.		Price* (MYR)
Brass plated	802.02.560	✘	51.00
Chrome plated	802.07.210	✘	15.00

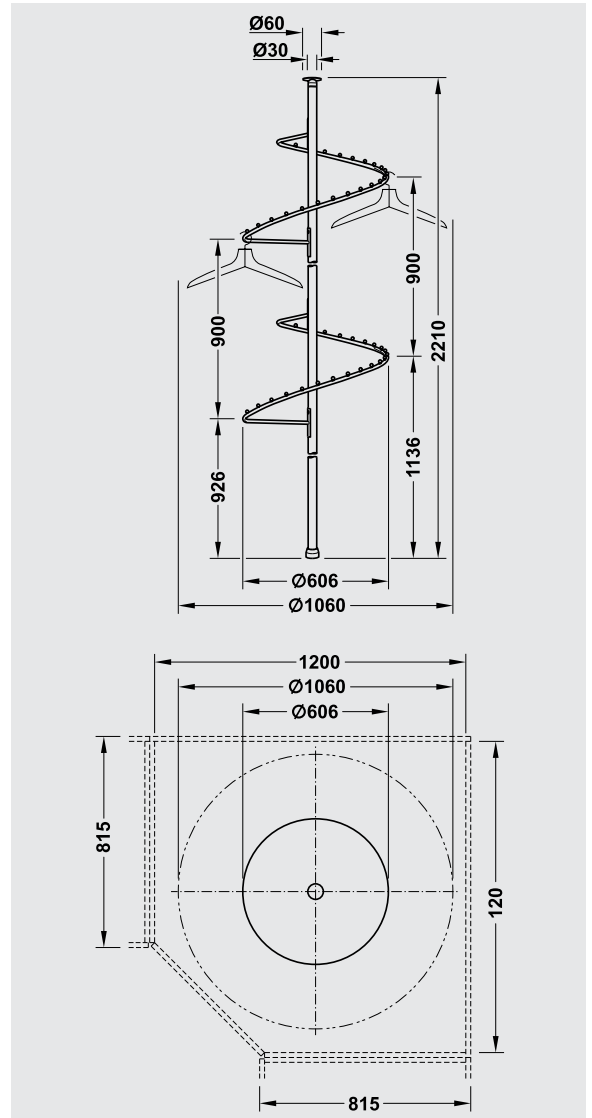
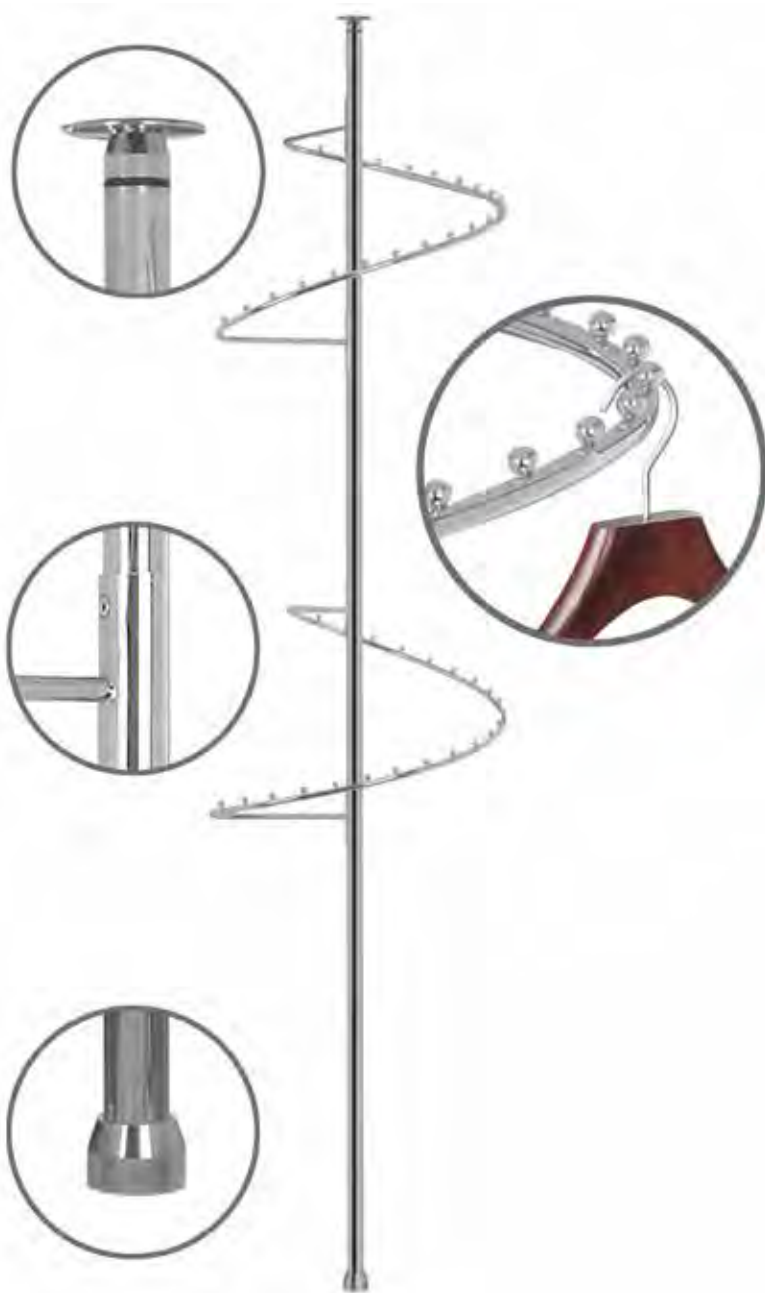
Packing: 1 piece

Stock Item Freight Item

SPIRAL GARMENT RAIL, ROTATING

5
YEARS

MADE IN
EUROPE

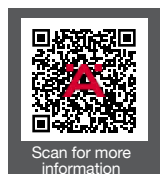


- > Material: Steel
- > Finish: Polished chrome plated
- > Installation: On ceiling, with drill hole
- > Suitable for: 22 coat hangers each garment rail
- > Swivelling range: 360°

Rail end support

For internal cabinet height mm	Cat. No.		Price* (MYR)
2210 - 2410	805.69.202		4,856.00

Supplied with 1 piece revolving fittings, 2 pieces garment rails, 1 set of installation instructions and fixing material
Packing: 1 set

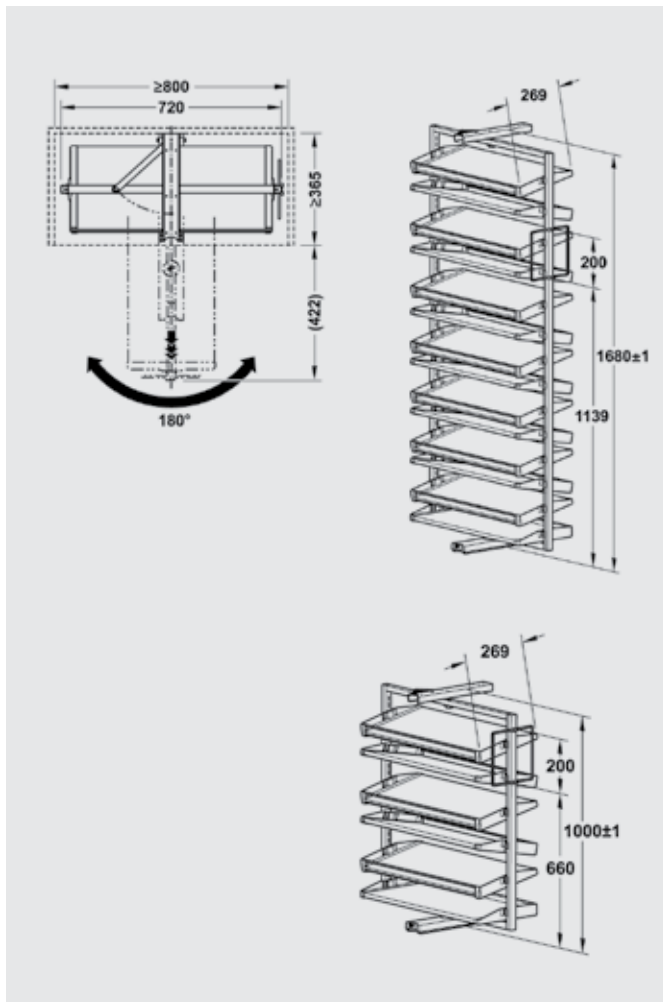


 Stock Item

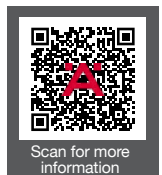
 Freight Item



PULL OUT SHOE RACK



- > Version: Pull out shoe rack rotates through 180°
- > Material: Hanging frame: Steel, shelves: Plastic
- > Installation: For screw fixing to base panel and shelf
- > For internal cabinet height: 1,680 / 1,000mm
- > For internal cabinet depth: ≥ 365mm
- > Load bearing capacity: 2kg per shelf
- > Max. shoe length 310mm



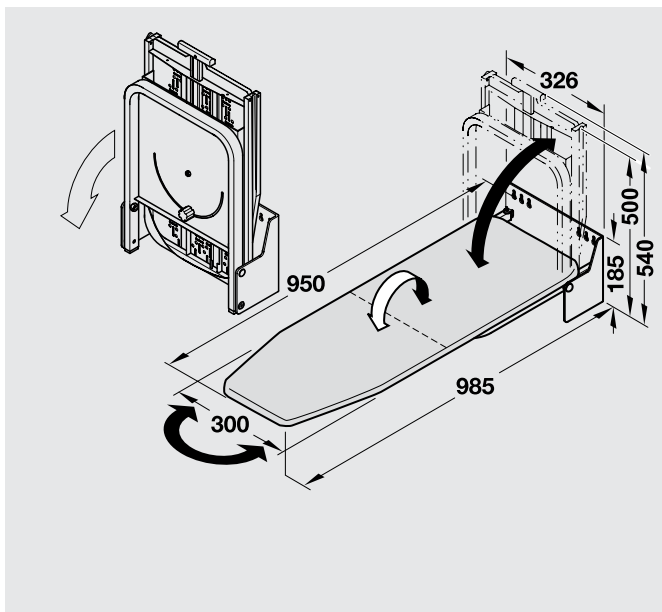
For up to 50 pairs of shoes Height mm	Colour finish	Cat. No.	Price* (MYR)
Pull out shoe rack 1680mm	Grey	806.22.501	5,081.00
	White	806.22.701	5,697.00
	Black	806.22.401	5,543.00

Supplied with 1 piece hanging frame, 1 piece pull out runner, top and bottom, 14 pieces shelves and 1 set of fixing material
Packing: 1 set


For up to 20 pairs of shoes Height mm	Colour finish	Cat. No.	Price* (MYR)
Pull out shoe rack 1000mm	Grey	806.22.500	3,388.00
	White	806.22.700	3,850.00
	Black	806.22.400	3,696.00

Supplied with 1 piece hanging frame, 1 piece pull out runner, top and bottom, 6 pieces shelves and 1 set of fixing material
Packing: 1 set

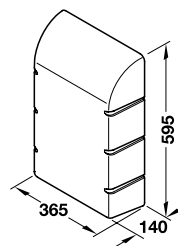
IRONFIX
IRONING BOARD




- > Material: Fitting parts: Steel
- > Finish/colour: Fitting parts: Plastic coated, white, RAL 9016
- > Version: Fully assembled, folding, rotates continuously through 180°, with locking facility

Cover	Cat. No.	Price* (MYR)
Grey stripes	568.66.700 	1078.00

Packing: 1 piece

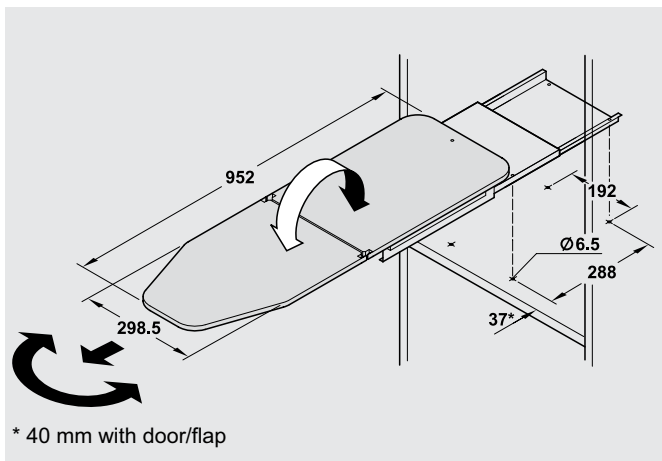


Covering hood

Cover	Cat. No.	Price* (MYR)
White, RAL 9016	568.66.790 	340.00

Packing: 1 piece

IRONFIX
IRONING BOARD



- > Material: Fitting parts: Steel
- > Finish/colour: Fitting parts: Plastic coated, white, RAL 9016
- > Version: Folding, rotates continuously through 180°, positioning at 15° intervals, fully pre-assembled without front panel connection
- > Installation depth: 350mm
- > Installation height: 125mm
- > Installation width: 540mm

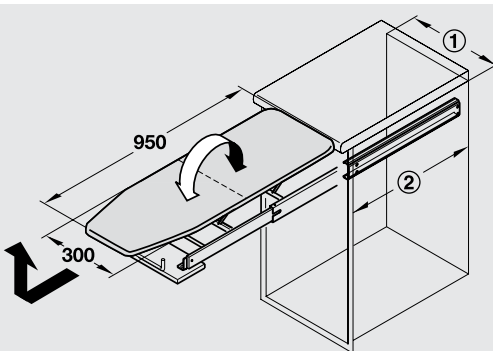
Cover	Cat. No.	Price* (MYR)
Grey stripes	568.60.780	1,123.00

Packing: 1 piece

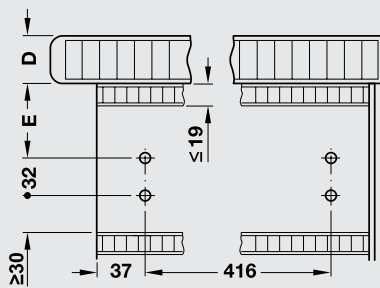


Stock Item Freight Item

IRONFIX IRONING BOARD



- ① Internal width 362–500 mm
- ② Internal cabinet depth >500 mm



Please observe following dimensions in order to mount ironing board flush with worktop:

Dim. D mm	20	30	40	50
Dim. E mm	86	76	66	66

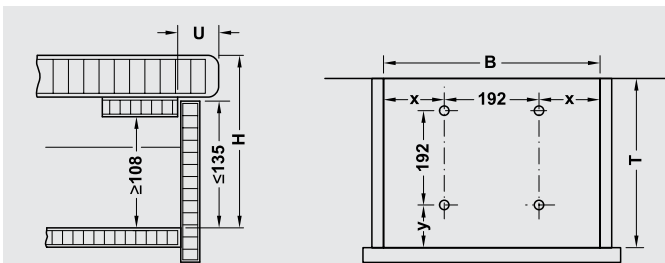
- > Material: Fitting parts: Steel
- > Finish/colour: Fitting parts: Plastic coated, white, RAL 9016
- > Version: Folding, ironing board supports automatically extend when the drawer is opened, continuous width adjustment

Cover	Cat. No.		Price* (MYR)
Grey stripes	568.60.710		1,084.00

Packing: 1 piece



IRONFIX IRONING BOARD



- > Material: Steel and aluminium
- > Finish/colour: Fitting parts: Plastic coated, grey
- > Version: Folding

Cover	Cat. No.	Price* (MYR)
Grey stripes	568.60.964	1,580.00

Packing: 1 piece



Protection rail	Cat. No.	Price* (MYR)
300mm	808.90.090	272.00

1 set supplied with 6 pieces protection rails
Packing: 1 set

Internal drawer width B mm	>498	>406	>506
Internal drawer opening T mm	>435	>500	>320
Dim. H mm	–	<155	<155
Dim. y mm	>59	>150	>57
Dim. x mm	>153	>182/>32 (left/right)	>277/>37 (left/right)
Overlay U	<38	<25	<38

Stock Item Freight Item



BED FITTINGS

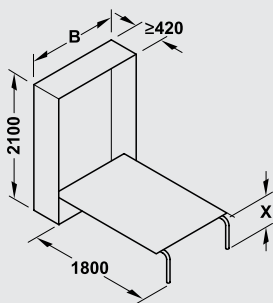
When it comes to bedrooms and creating space, Häfele is the home of innovation. Our bed fittings allow easy manoeuvrability of mattresses and open up valuable storage space within the bed base. You'll also find fittings to create lift up lids and stays to keep everything open for as long as you require.

FOLDAWAY BED FITTING WITH SLATTED FRAME

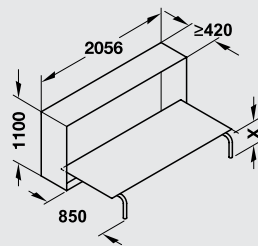


Installation

End mounted bed

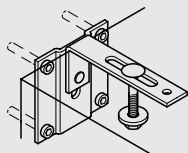


Side mounted bed



Automatic foot mechanism

Angular feet automatically come out when the bed is opened and are retracted when the bed is closed again.



Note

All built-in foldaway beds must be prevented from tipping in accordance with EN 1129. Ensure that the surface is suitable for attaching the securing brackets.

- > Area of application: For inset front
- > Material: Frame: Torsion-free tubular steel, slatted frame: Laminated wood, caps: Rubber
- > Load bearing capacity: 100kg
- > Finish: Slatted frame: Unfinished wood
- > Colour: Frame: Graphite black, RAL 9011, foot linkage: White aluminium, RAL 9006
- > Version: With gas-filled strut for easy opening and closing, with 28 flexibly mounted resilient wooden slats, with shoulder comfort zone, 5 double slats for central zone reinforcement and centre strap, firmness degree continuously adjustable

Construction recommendation

Component	Material thicknesses
Front	19 mm
Cabinet base panel, side panels, plinth	19 - 22 mm

Order reference

Bed weight = total weight of the front panel, mattress, bedding and bed frame (if applicable).

Without mattress	For mattress size (W x L) mm	Bed weight kg	Width B mm	Cat. No.	Price* (MYR)
End mounted single	900 x 2,000	44 - 55	950	271.91.114	7,427.00
Side mounted single	900 x 2,000	44 - 55	-	271.91.145	9,952.00

Supplied with 1 set built-in foldaway bed with frame, gas-filled struts, slatted frame and angular feed, 2 pieces securing bracket (anti-tilt facility), 3 pieces bedding straps, 2 pieces mattress holders, 1 set of installation instructions and 2 pieces gas-filled struts
Packing: 1 set

Stock Item Freight Item

DUOLETTO BUILT-IN FOLDAWAY BED

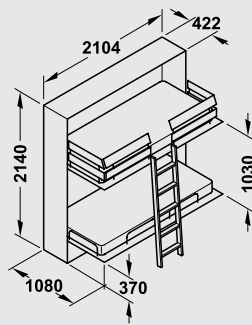
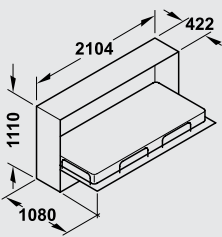
5
YEARS

MADE IN
EUROPE

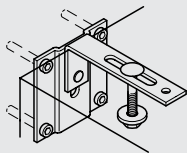


As single bed

As bunk bed



Specified cabinet dimensions are external cabinet dimensions.



Note

All built-in foldaway beds must be prevented from tipping in accordance with EN1129. Ensure that the surface is suitable for attaching the securing brackets.

- > Variable and freely selectable mounting height when used as single bed
- > The same fitting can be used for bunk beds



- > Area of application: Single and/or bunk bed/loft bed
- > For mattress size (W x L): 900 x 2,000mm
- > Load bearing capacity: 100kg
- > Bed weight: 55 - 85kg
- > Material: Frame: Torsion-free tubular steel with resilient wooden slats
- > Finish: Powder coated white, RAL 9016
- > Version: With gas-filled strut for easy opening and closing, with 12 flexibly mounted resilient wooden slats
- > Installation: Quick fixing system, bearing plated pre-mounted

Construction recommendation

Component	Material thickness
Front	16 mm
Cabinet base panel, side panels, plinth	19 mm
Rear panel, cabinet side panel	22 mm

Version	Cat. No.	Price* (MYR)
Without mattress	271.89.000	8,864.00

Packing: 1 set

Order reference

Please order accessories for use as bunk bed/loft bed (hook-in ladder and bed guard) separately.

- > Material: Ladder, bed guard: Laminated wood, can be lacquered, brackets: Tubular steel
- > Dimn: Ladder: 1,475 x 397 x 60mm
- > Finish: Brackets: Powder coated, white RAL 9016

Accessories for bunk bed/loft bed

Version	Cat. No.	Price* (MYR)
Hook-in ladder and bed guard	271.89.010	7,464.00

Packing: 1 set



TELELETTO II FOLDAWAY SOFA BED FITTING

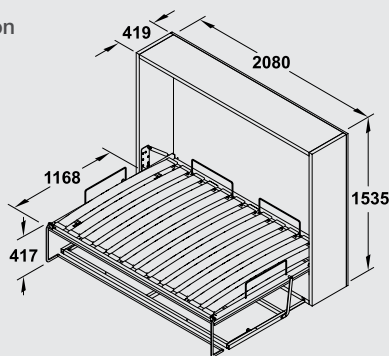


- > The sofa quickly becomes a bed
- > Space saving, ideal for use in hotels, bed and breakfast accommodations or as guest bed
- > Extra large lying area 1,400 x 2,000mm

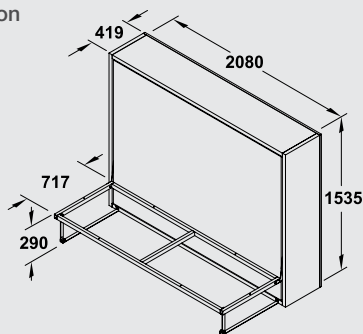


- > Area of application: Hotel, bed and breakfast accommodation, guest room
- > For mattress size (W x L): 1,400 x 2,000mm
- > Load bearing capacity: 100kg
- > Bed weight: 74 - 110kg
- > Material: Frame: Torsion-free tubular steel with resilient wooden slats
- > Finish: Powder coated white, RAL 9016
- > Version: With gas-filled strut for easy opening and closing, with 12 flexibly mounted resilient wooden slats
- > Installation: Quick fixing system
- > Internal cabinet width: 2,080mm
- > Internal cabinet height: 1,535mm
- > Internal cabinet depth: 419mm
- > Sofa area 2,057 x 700mm

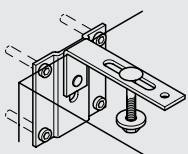
Bed position



Sofa position



Specified cabinet dimensions are internal cabinet dimensions



Note

All built-in foldaway beds must be prevented from tipping in accordance with EN 1129. Ensure that the surface is suitable for attaching the securing brackets.

Version	Cat. No.	Price* (MYR)
Häfele Teleletto II	271.89.020	20,152.00

Packing: 1 set

Order reference

Bed weight = total weight of the front panel, mattress, bedding and bed frame (if applicable)

Construction recommendation	
Component	Material thickness
Cabinet side panel/base panel	38 mm
Front panel, rear panel	19 mm

Packing: 1 piece

Note

Recommended mattress thickness 140 mm, this provides clearance of 50 mm for bedding when folded in.

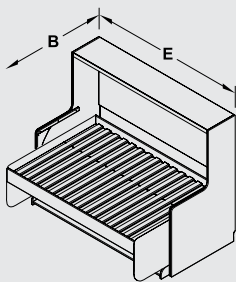
TAVOLETTO BED/DESK COMBI FITTING

5
YEARS

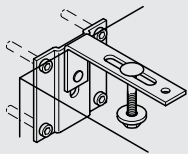
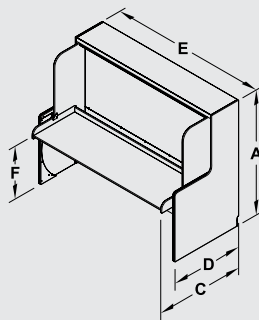
MADE IN
EUROPE



Bed position



Desk position



Order reference

All foldaway beds must be prevented from tipping in accordance with EN 1129. Please order securing brackets separately. Ensure that the surface is suitable for attaching the securing brackets.

Note

CAD data and installation instructions for construction are available for downloading.

The specifications of the CAD data must be adhered to. Only then full functionality of the fitting is given.



Construction recommendation

Construction dim. mm	Mattress size mm		
	900 x 2000	1400 x 2000	
A	1,388	1,780	
B	1,115	1,598	
C	1,086	1,188	
D	944	1,040	
E	2,160	2,140	
F	766	769	
Max. mattress height	With slatted frame	214	229
	With resilient slats	263	278
Space above desk in bed position	530	551	

The construction dimensions apply to side panel thickness of 19 mm.

> Space saving, ideal for use as guest bed, in students' hostels and hospitals

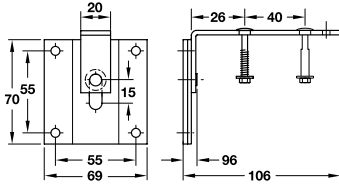


- > Material: Steel
- > Colour: Black
- > Safety tested by the LGA in compliance with DIN EN 1129

Item	Cat. No.		Price* (MYR)
Fitting set for 900 x 2000	271.97.300	✘	2,057.00
Set of screws	271.97.395	✘	243.00

Packing: 1 set

BED FITTING
ACCESSORIES



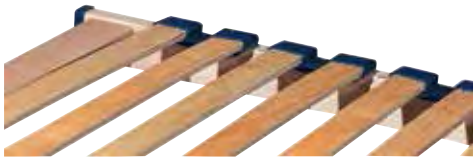
- > Area of application: Anti-tilt facility for foldaway beds
- > Material: Steel
- > Installation: For screw fixing
- > Fixing material supplied

Security bracket for foldaway bed		
Colour	Cat. No.	Price* (MYR)
Graphite black, RAL 9011	271.98.100	96.00

Packing: 2 pieces



- > Area of application: For latex, foam and pocket spring core mattresses
- > Material: Frame and resilient wooden slats: Laminated birch wood, caps: LDPE (polyethylene)
- > Slatted frame support: With 28 resilient wooden slats, 2,000mm in length, wooden slats in caps, with pressure-distributing centre strap, continuously adjustable firmness degree regulation
- > Dim.: Frame height: 50mm, installation height: 70mm, slat: 34 x 8mm, slat spacing: 34mm



Resilient wooden slat mounting

Sanobasic NV Slatted frame, without adjustable head and foot section		
Dim. (W x L)mm	Cat. No.	Price* (MYR)
Slatted frame (890 x 1,960mm)	271.75.004	562.00
For mattress size 900 x 2,000mm		

Packing: 1 piece



- > Area of application: For holding bedding when closing the bed
- > Supplied with: 3 belts

Bedding strap		
Suitable for	Cat. No.	Price* (MYR)
Mattress width ≤ 900mm	271.87.920	298.00

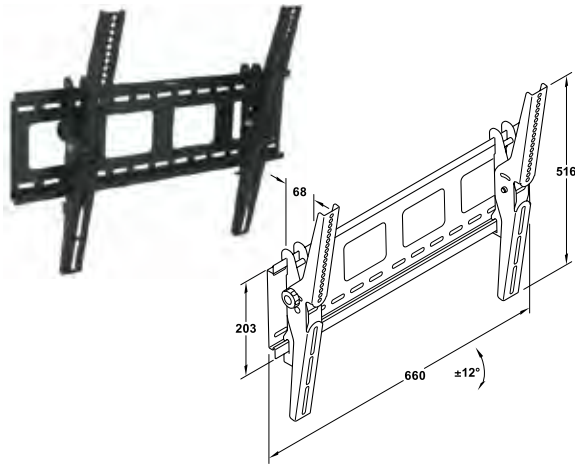
Packing: 1 set



TV MOUNTS AND LIFTS

Today's modern living spaces need to incorporate the latest gadgets and devices. Häfele lifts focus on accessibility and function.

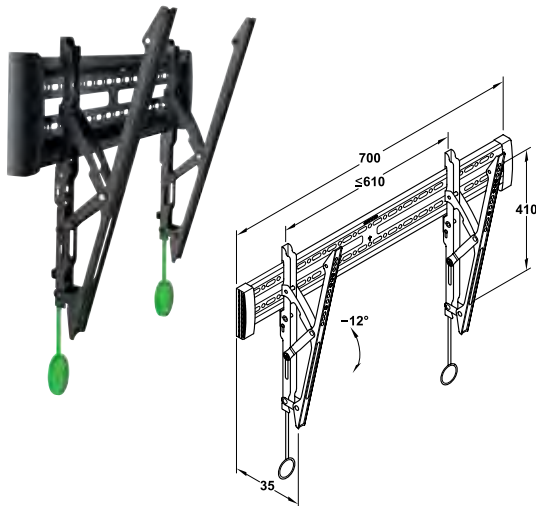
WALL MOUNTED
TV SUPPORT BRACKET



- > Adjustment facility: Tilting: $\pm 12^\circ$
- > VESA standard: 600 x 400mm
- > Material: Steel
- > Finish/colour: Powder coated, black
- > Load bearing capacity: 79kg
- > Installation: For screw fixing

Wall mounted TV support bracket, tilting 32" to 55"			
Area of application	Cat. No.		Price* (MYR)
For flat screen monitors with diagonal screen size of 32" to 55"	271.87.920	✘	238.00

Packing: 1 piece

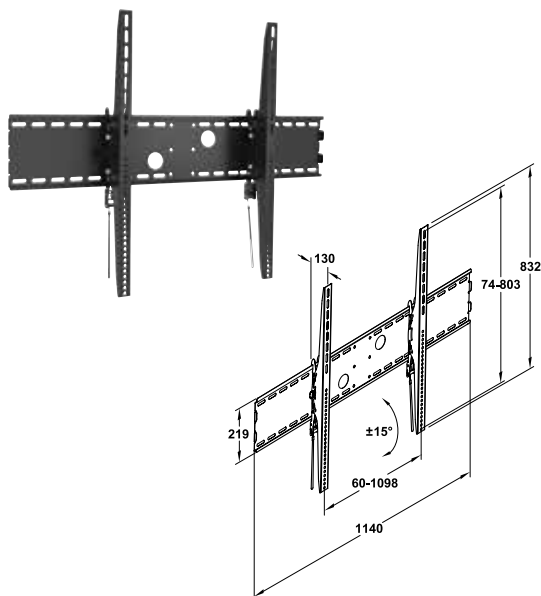


- > Adjustment facility: Angle of incline: -12°
- > VESA standard:
100 x 100 mm, 200 x 100 mm, 200 x 200 mm, 300 x 100 mm,
300 x 200 mm, 300 x 300 mm, 400 x 100 mm, 400 x 200 mm, 400 x 300 mm,
400 x 400 mm, 600 x 200 mm, 600 x 300 mm or 600 x 400 mm
- > Material: Steel
- > Colour: Black
- > Load bearing capacity: 35 kg

Wall mounted TV support bracket, inclinable 37" to 65"			
Area of application	Cat. No.		Price* (MYR)
For flat screen monitors with diagonal screen size of 37" to 65"	817.10.352	✘	611.00

Packing: 1 piece

Note: Suitable for use with Curved TV



- > Adjustment facility: Angle of incline: $\pm 15^\circ$
- > VESA standard:
200 x 200 mm, 300 x 200 mm, 300 x 300 mm, 400 x 200 mm,
400 x 300 mm, 400 x 400 mm, 600 x 200 mm, 600 x 300 mm, 600 x 400 mm,
800 x 200 mm, 800 x 300 mm, 800 x 400 mm, 900 x 200 mm, 900 x 300 mm,
900 x 400 mm, 900 x 600 mm, 1,000 x 200 mm, 1,000 x 300 mm, 1,000 x 400 mm,
1,000 x 600 mm or 1,000 x 800 mm
- > Material: Steel
- > Colour: Black
- > Load bearing capacity: 125 kg

Wall mounted TV support bracket, inclinable 60" to 100"			
Area of application	Cat. No.		Price* (MYR)
For flat screen monitors with diagonal screen size of 60" to 100"	817.10.363	✘	1,581.00

Packing: 1 piece

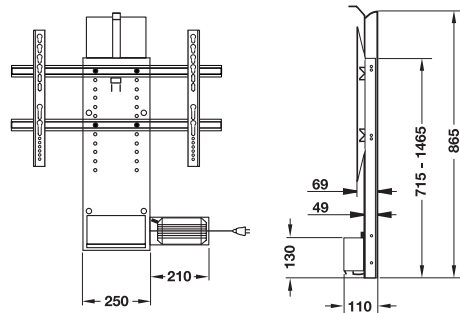
Note: Suitable for use with Curved TV

Stock Item Freight Item

TV LIFT SYSTEM

2
YEARS

MADE IN
EUROPE

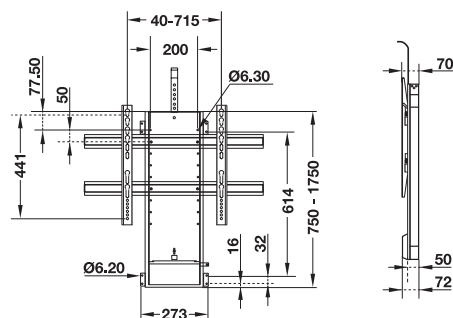


- > Area of application: Used in cabinets for raising and lowering flat screen television
- > Material: Steel
- > Finish: Black
- > Mounting method: Suitable for below VESA standard: 400 x 100, 400 x 400, 600 x 200, 600 x 400mm
- > Height of mechanism: 715 mm (closed) to 1,465 mm (open)
- > Stroke: 750 mm
- > Weight capacity: 100 kg
- > Speed: 28 mm/sec

Electronic TV lift up to 42"

Load bearing capacity kg	Cat. No.	Price* (MYR)
100	421.68.420	5,819.00

Set completes with lift unit, power supply, R.F module, rocket switch, remote control, plasma screen bracket, lift bracket and lid lifter
Packing: 1 set



- > Area of application: Used in cabinets for raising and lowering flat screen television
- > Material: Steel
- > Finish: Black
- > Mounting method: Suitable for below VESA standard: 600 x 400, 600 x 200, 600 x 100, 400 x 400, 400 x 200, 400 x 100, 300 x 300, 200 x 200, 200 x 100mm
- > Min./Max. height (lid lifter excluded) 750/1,750 mm
- > Installation depth: 70 mm
- > Stroke: 1,000 mm

Electronic TV lift up to 55"

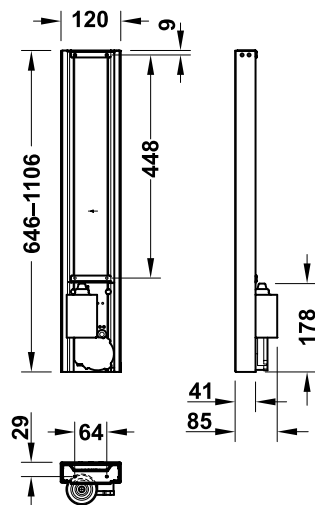
Load bearing capacity kg	Cat. No.	Price* (MYR)
100	421.68.423	6,813.00

Set completes with lift unit, power supply, R.F module, rocket switch, remote control, plasma screen bracket, lift bracket and lid lifter
Packing: 1 set

ELECTRIC LIFT SYSTEM



Lift system

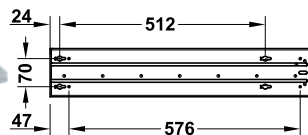
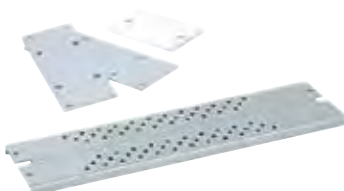


- > Area of application: For installation in furniture, for raising and lowering of flat screen monitors and small cabinets
- > Material: Steel
- > Colour: Silver coloured
- > Lift: 460 mm
- > Travel speed: 25 mm/seconds
- > Version: Lift cannot be reduced
- > Input voltage: 110–240 V, 50–60 Hz
- > VESA standard: 50 x 50 mm, 75 x 75 mm, 100 x 100 mm, 200 x 100 mm and 200 x 200 mm

Load bearing capacity kg	Cat. No.	Price* (MYR)
Lift system	421.68.425	3,164.00
VESA mounting plate	421.68.431	727.00

Supplied with 1 piece lift system, 1 piece radio remote control, 1 piece rocker switch and VESA mounting bracket switch with both above items purchased
Packing: 1 piece

VESA mounting plate



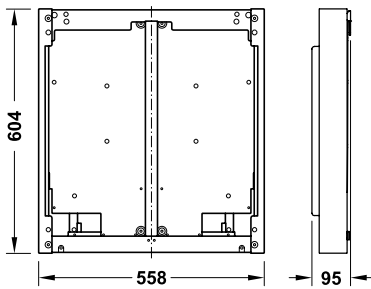
LIFT SYSTEM



- > **Presentation function:**
Weightless raising and lowering of a display screen or a touch screen.
- > **Interactive function:**
Tilting function for moving the touch screen into a position in front of the cabinet in order to work on it or show something.



- > Material: Steel
- > Height adjustment: 400 mm
- > Version: The system is adapted to the screen weight using springs



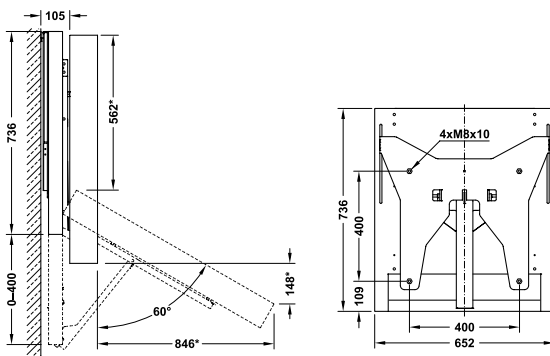
Balance height adjustment facility

Load bearing capacity kg	Cat. No.	Price* (MYR)
23 - 43	421.68.507	8,897.00
41 - 70	421.68.508	8,897.00
66 - 95	421.68.509	8,897.00

Packing: 1 set

Order reference

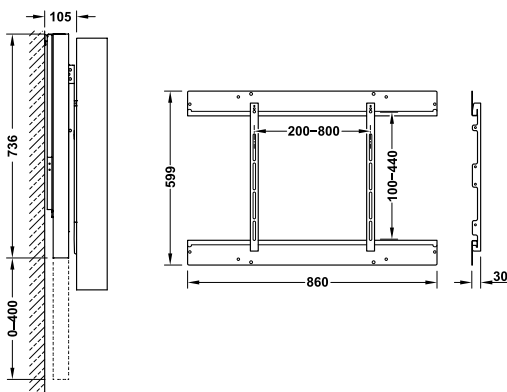
Please order our tilting device or the VESA adapter plate for height adjustment.



- > Area of application: Tilting device (including VESA): For moving the display screen/ touch screen into a 60° tilt position and for fixing the display screen/touch screen
- > Material: Steel
- > VESA standard: 400 x 400 mm or 400 x 600 mm

Tilting device for interactive function

	Cat. No.	Price* (MYR)
Tilting device	421.68.500	7,214.00



- > Area of application: VESA adapter plate: For fixing the display screen/ touch screen
- > Material: Steel
- > VESA standard: 200 x 200 mm, 300 x 200 mm, 300 x 300 mm, 400 x 200 mm, 400 x 300 mm, 400 x 400 mm, 600 x 200 mm, 600 x 300 mm, 600 x 400 mm, 800 x 200 mm, 800 x 300 mm or 800 x 400 mm

VESA adapter plate for presentation function

	Cat. No.	Price* (MYR)
VESA adapter plate	421.68.501	1,363.00

We reserve the right to alter specifications without notice.



SLIDING LADDER

Find the right ladder for your area of application. Choose from stainless steel, steel or aluminium, with wooden steps for a warm ambience or stainless steel steps for a clear look. The different hook-in heights provide the right ladder for use in private or commercial areas.



SLIDING LADDER

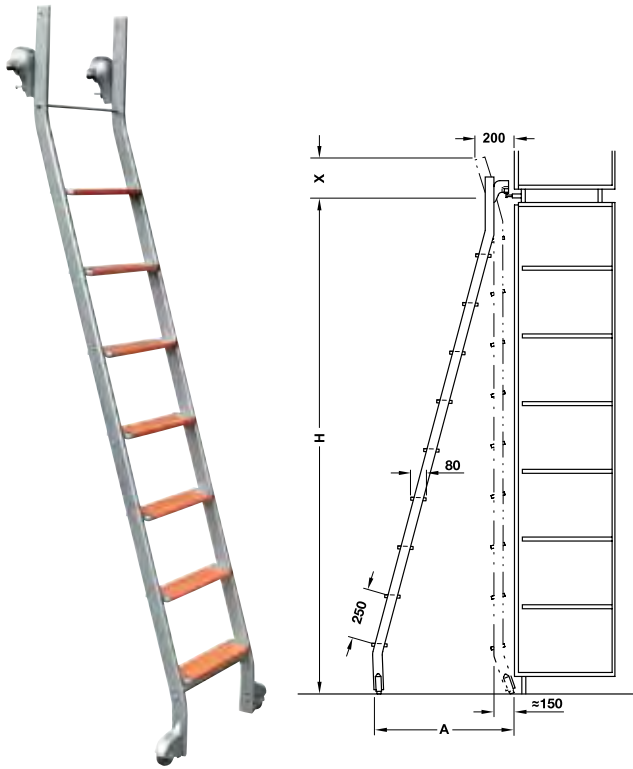
topCo CUSTOMISED
ORDER QUANTITY FROM 1 PIECE

The following features can be selected:
> Hook-in height

- > The ladder can be propped vertically against the shelf without the need of unhooking due to the automatically sliding-in top roller fitting.
- > The bottom rollers brake automatically under load.
- > The sliding ladder is protected against unintentional unhooking.



- > Area of application: For warehouses, workshops, hospitals and laboratories
- > Material: Frames: Aluminium, steps: Multiplex birch
- > Finish: Frames: Powder coated, white aluminium, RAL 9006, steps: Natural lacquered
- > Version: With top and bottom guide using plastic mounted rollers
- > Installation: For hooking onto hook-in tube with rollers
- > Load bearing capacity: <150 kg



Hook-in height mm	Width mm	Clearance mm	Weight kg	Number of steps	Cat. No.	Price* (MYR)
2,000 - 2,240	400	540 - 600	7	7	819.12.281	15,437.00
2,250 - 2,490		600 - 660	8	8	819.12.282	16,478.00
2,500 - 2,740		660 - 720	9	9	819.12.283	16,495.00
2,750 - 2,990		720 - 770	10	10	819.12.284	17,284.00
3,000 - 3,250	450	770 - 830	11	11	• 819.12.285	18,074.00

Packing: 1 piece

• Discontinued

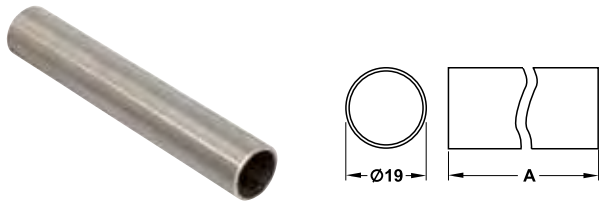
Order reference

Please specify the exact hook-in height as well as the catalogue number when ordering.

On request available:

- > Sliding ladder with powder coated frames in other RAL colours
- > Steps with non-slip, ribbed rubber coating available against extra charge (grey/black)
- > Multiplex beech steps
- > Solid wood steps, type of wood as required
- > Handrail (on one side/on both sides)
- > Other hook-in heights

SLIDING LADDER



- > Material: Stainless steel
- > Finish: Satin brushed
- > Version: Without drill holes

Hook-in tube - TopCo		
Dim. A mm	Cat. No.	Price* (MYR)
2,000	819.15.022	✗ 1,135.00
3,000	819.15.033	✗ 1,703.00

Packing: 1 piece



- > Installation: For inserting into running tube
- > Material: Stainless steel
- > Finish: Satin brushed

Hook-in tube - TopCo		
Cat. No.		Price* (MYR)
819.15.074	✗	105.00

Packing: 1 piece

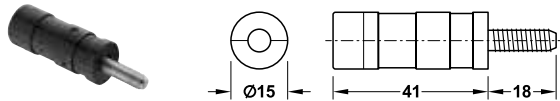


Connector with inserted nut

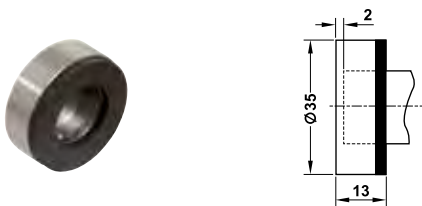
- > Material: Polyamide
- > Colour: Black
- > Installation: For knocking into running tube

Tube connector set		
Cat. No.		Price* (MYR)
819.15.340	✗	47.00

Packing: 1 piece



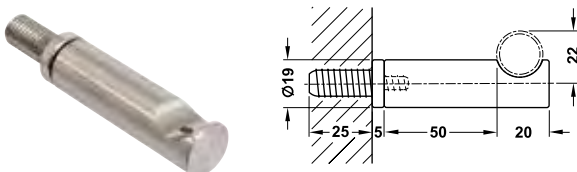
Connector with inserted screw



- > Material: Stainless steel
- > Finish: Satin brushed
- > Version: With grub screw for fixing
- > Fixing material supplied
- > Installation: For attaching to hook-in tube

End stopper		
Cat. No.		Price* (MYR)
819.15.050	✗	339.00

Packing: 1 piece



- > Material: Stainless steel
- > Finish: Satin brushed
- > Fixing material supplied
- > Installation: For mounting in drilled hole Ø 11 mm

End stopper		
Cat. No.		Price* (MYR)
819.15.080	✗	563.00

Packing: 1 piece



We reserve the right to alter specifications without notice.



LIGHTING SYSTEM



STEP 1: SELECT LIGHTS

In the 1950s Richard Kelly, a pioneer of light design, differentiated between light to see - effect lighting - the illumination of an object or area - function lighting - and play of brilliance in which the light itself is the object to observe - design lighting.

EMPHASISING ROOM DIMENSIONS

The versatility of applications and combinations of lights within the LOOX LED System provide the opportunity to create these different types of lighting and combine them to emphasise the dimensions of room.

EFFECT LIGHTING

To balance room dimensions and facilitate special orientation, use ambient lighting for the desired effect. This will give a general light to illuminate the whole room.

FUNCTION LIGHTING

To illuminate a work surface in a kitchen or a bathroom counter top, task lighting is what is required here. Using the LOOX LED System to create this effect is easy to spec and install, adding the final touches of design to bring the room together.

DESIGN LIGHTING

You can add to ambient lighting in a room by including spot lighting a particular object or feature, like an alcove, or a piece of art.



LED 2026

DOWNLIGHT, MODULAR



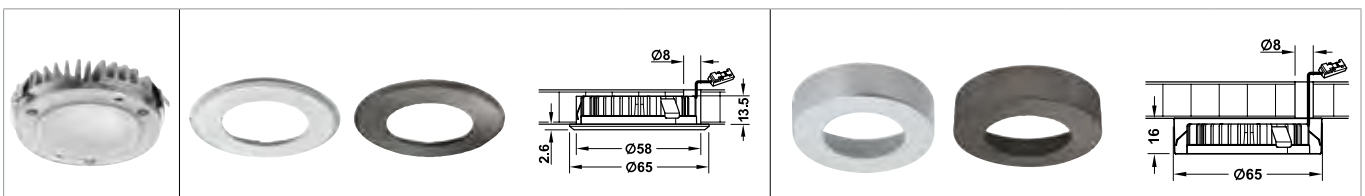
LED 2026		80°
3000 K	5000 K	
1800 lx	1950 lx	250 mm
500 lx	550 lx	500 mm
225 lx	250 lx	750 mm
125 lx	140 lx	1000 mm

TIPS: How to select the right driver (refer to Step 2)

- a. 40 WATT driver - Max. for 13pcs LED lights
- b. 60 WATT driver - Max. for 19pcs LED lights

Not enough light slot? (ONE driver has 6 light slots)

Add 6 way distributor for additional light slot- 833.74.798 (refer to STEP 3)



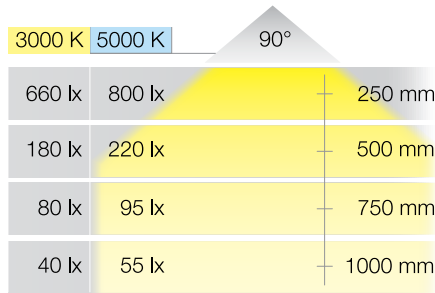
Mounting	Recess mounting				Surface mounting			
	3000K (Warm white)		5000K (Cool white)		3000K (Warm white)		5000K (Cool white)	
Light colour	3000K (Warm white)		5000K (Cool white)		3000K (Warm white)		5000K (Cool white)	
Diameter (mm)	61.2	61.2	61.2	61.2	61.2	61.2	61.2	61.2
Height (mm)	13.5	13.5	13.5	13.5	13.5	13.5	13.5	13.5
Wattage (W)	3.0	3.0	3.0	3.0	3.0	3.0	3.0	3.0
Number of LEDs	6	6	6	6	6	6	6	6
Light output (lm)	210	210	260	260	210	210	260	260
Efficacy (lm/W)	70	70	87	87	70	70	87	87
Colour rendering index (CRI)	90	90	83	83	90	90	83	83
Housing colour finish	Silver coloured	Anthracite	Silver coloured	Anthracite	Silver coloured	Anthracite	Silver coloured	Anthracite
Cat. No.	833.71.487	833.71.684	833.71.488	833.71.685	833.71.489	833.71.686	833.71.490	833.71.687
Price* (MYR)/ Set	95.00	95.00	95.00	95.00	95.00	95.00	95.00	95.00

Supplied with

1pc LED 2026, 1pc housing for recess/ surface mounting, 1pc 2m lead and 1pc 2m extension lead



LED 2040
DOWNLIGHT, MODULAR



TIPS: How to select the right driver (refer to Step 2)

- a. 40 WATT driver - Max. for 26pcs LED lights
- b. 60 WATT driver - Max. for 38pcs LED lights

Not enough light slot? (ONE driver has 6 light slots)

Add 6 way distributor for additional light slot- 833.74.798 (refer to STEP 3)

Mounting	Recess mounting				Surface mounting			
	3000K (Warm white)		5000K (Cool white)		3000K (Warm white)		5000K (Cool white)	
Light colour	3000K (Warm white)		5000K (Cool white)		3000K (Warm white)		5000K (Cool white)	
Diameter (mm)	38.5	38.5	38.5	38.5	38.5	38.5	38.5	38.5
Height (mm)	13.5	13.5	13.5	13.5	13.5	13.5	13.5	13.5
Wattage (W)	1.5	1.5	1.5	1.5	1.5	1.5	1.5	1.5
Number of LEDs	3	3	3	3	3	3	3	3
Light output (lm)	88	88	110	110	88	88	110	110
Efficacy (lm/W)	59	59	73	73	59	59	73	73
Colour rendering index (CRI)	90	90	83	83	90	90	83	83
Housing colour finish	Silver coloured	Matt nickel plated	Silver coloured	Matt nickel plated	Silver coloured	Matt nickel plated	Silver coloured	Matt nickel plated
Cat. No.	833.71.483	833.71.688	833.71.484	833.71.689	833.71.485	833.71.690	833.71.486	833.71.691
Price* (MYR)/ SET	64.00	64.00	64.00	64.00	64.00	64.00	64.00	64.00

Supplied with
1pc LED 2040, 1pc housing for recess/ surface mounting, 1pc 2m lead and 1pc 2m extension lead



Stock Item Freight Item

LED 2027 SURFACE MOUNTED DOWNLIGHT



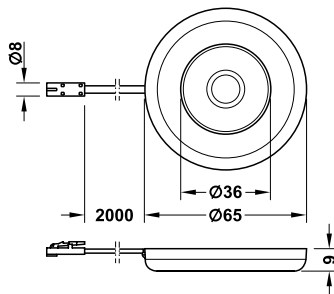
3000 K		5000 K		
		117°		
867 lx	918 lx			250 mm
216 lx	229 lx			500 mm
96 lx	102 lx			750 mm
54 lx	57 lx			1000 mm

TIPS: How to select the right driver (refer to Step 2)

- 40 WATT driver - Max. for 14pcs LED lights
- 60 WATT driver - Max. for 22pcs LED lights

Not enough light slot? (ONE driver has 6 light slots)

Add 6 way distributor for additional light slot- 833.74.798 (refer to STEP 3)



Light colour	3000K (Warm white)	5000K (Cool white)
Diameter (mm)	65	65
Height (mm)	9	9
Wattage (W)	2.6	2.6
Number of LEDs	27	27
Light output (lm)	190	218
Efficacy (lm/W)	73	84
Colour rendering index (CRI)	85	85
Cat. No.	833.71.676	833.71.677
Price* (MYR)/ SET	66.00	66.00

Supplied with

1pc LED 2027 with 2m lead, fixing material and 1pc 2m extension lead



LED 2036
SURFACE MOUNTED DOWNLIGHT



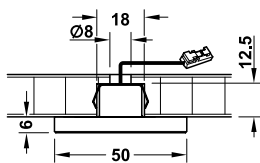
3000 K	5000 K	100°	
984 lx	1033 lx		250 mm
246 lx	255 lx		500 mm
109 lx	114 lx		750 mm
62 lx	66 lx		1000 mm

TIPS: How to select the right driver (refer to Step 2)

- a. 40 WATT driver - Max. for 10pcs LED lights
- b. 60 WATT driver - Max. for 16pcs LED lights

Not enough light slot? (ONE driver has 6 light slots)

Add 6 way distributor for additional light slot- 833.74.798 (refer to STEP 3)



Light colour	3000K (Warm white)	5000K (Cool white)
Size (L x W x H) mm	250 x 50 x 18.5	250 x 50 x 18.5
Wattage (W)	3.6	3.6
Number of LEDs	36	36
Light output (lm)	182	210
Efficacy (lm/W)	51	58
Colour rendering index (CRI)	82	82
Cat. No.	833.71.678	833.71.679
Price* (MYR)/ SET	124.00	124.00

Supplied with

1pc LED 2036 with 2m lead, fixing material and 1pc 2m extension lead



Stock Item Freight Item

LED 2034

FLEXIBLE LIGHT WITH CHARGING STATION



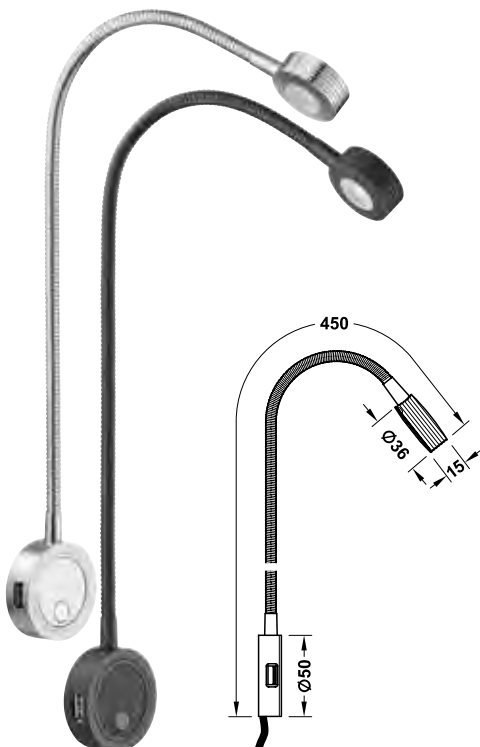
4000 K	90°
650 lx	250 mm
163 lx	500 mm
72 lx	750 mm
40 lx	1000 mm

TIPS: How to select the right driver (refer to Step 2)

- 40 WATT driver - Max. for 2pcs LED lights
- 60 WATT driver - Max. for 3pcs LED lights

Not enough light slot? (ONE driver has 6 light slots)

Add 6 way distributor for additional light slot- 833.74.798 (refer to STEP 3)



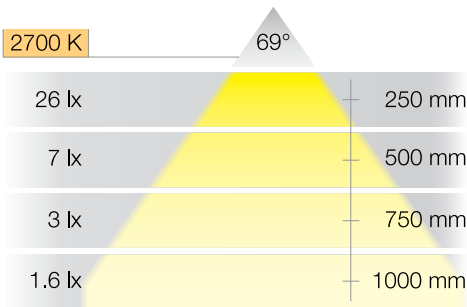
Light colour	4000K (Cool white)	4000K (Cool white)
Size L x W X H (mm)	450 x 50 x 15.5	450 x 50 x 15.5
Wattage (W)	Max. 17	Max. 17
Number of LEDs	3	3
Light output (lm)	105	105
Efficacy (lm/W)	70	70
Colour rendering index (CRI)	82	82
Finish/ Colour	Chrome plated	Black
Cat. No.	833.74.096	833.74.097
Price* (MYR)/ SET	257.00	223.00

Supplied with

1pc LED 2034 with 2m lead and fixing material



LED 2028
 SENSOR-CONTROLLED PLINTH LIGHT, IP44

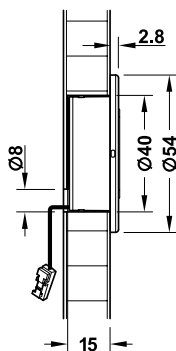


TIPS: How to select the right driver (refer to Step 2)

- a. 40 WATT driver - Max. for 115pcs LED lights
- b. 60 WATT driver - Max. for 175pcs LED lights

Not enough light slot? (ONE driver has 6 light slots)

Add 6 way distributor for additional light slot- 833.74.798 (refer to STEP 3)



Light colour	2700K (Warm white)	2700K (Warm white)
Size (q x H) mm	54 x 17.3	54 x 17.3
Wattage (W)	0.34	0.34
Sensor range	0 - 3,000 mm	0 - 3,000 mm
Delay time	Approx. 2 mins	Approx. 2 mins
Number of LEDs	3	3
Light output (lm)	4	4
Efficacy (lm/W)	12	12
Colour rendering index (CRI)	90	90
Finish/ Colour	Satin	Black
Cat. No.	833.73.110	833.73.111
Price* (MYR)/ SET	150.00	126.00


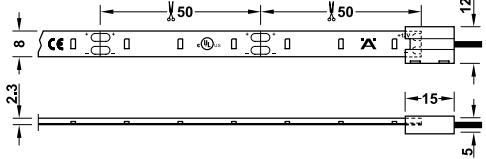
Supplied with
 1pc LED 2028 with 2m lead, fixing material



Stock Item Freight Item

LED 2030 SILICONE STRIP LIGHT



 LED Strip light detail	3000K (Warm white)	5000K (Cool white)
		833.73.481
Price* (MYR) / Set	843.00	843.00

Supplied with
1 roll (5000 mm) LED silicone strip light

Light colour	3000K (Warm white)	5000K (Cool white)
Wattage (W)	24 (4.80 per metre)	
Number of LEDs	300 (60 per metre)	
Light output (lm)	1940	1980
Efficacy (lm/W)	81	83
Colour rendering index (CRI)	82	82
Energy efficiency category	A+	A+
Weighted energy consumption	5.28 per meter	

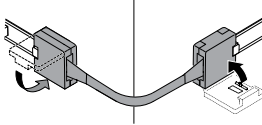
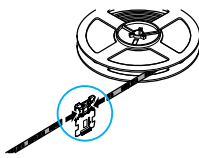
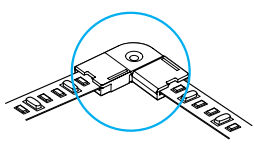
TIPS: How to select the right driver (refer to Step 2)

- 40 WATT driver - Max. for 7,000mm LED strip
- 60 WATT driver - Max. for 11,000mm LED strip

Not enough light slot? (ONE driver has 6 light slots)

Add 6-way distributor for additional light slot- 833.74.798 (refer to STEP 3)

Connecting lead 4m for LED 2030		Cat. No.	Price* (MYR)
 		833.71.680	22.00

Optional connecting accessories			
Interconnecting lead with clip 50 mm	Clip connector	Corner connector rigid	
Cat. No. 833.73.771 Price* (MYR) 11.00	Cat. No. 833.73.730 Price* (MYR) 4.00	Cat. No. 833.73.736 Price* (MYR) 12.00	
			





LED STRIP LIGHT

WITH SURFACE ALUMINIUM PROFILE



L1 SURFACE LED 2041 (with 120 LEDs/m)		3000K (Warm white)	5000K (Cool white)
		833.71.854	833.71.861
LED Strip light detail 		LED points are not visible	
Price* (MYR) / Set		231.00	231.00

Light colour	3000K (Warm white)	5000K (Cool white)
Wattage (W)	24 (9.6 per metre)	
Number of LEDs	300 (120 per metre)	
Light output (lm)	13800	14400
Efficacy (lm/W)	95	100
Colour rendering index (CRI)	83	83
Energy efficiency category	A+	A+
Weighted energy consumption	10.56 per metre	

Supplied with
1pc (2500 mm) LED strip and 1pc (2500 mm) surface mounting aluminium profile

TIPS: How to select the right driver (refer to Step 2)

- a. 40 WATT driver - Max. for 3,000mm LED strip
- b. 60 WATT driver - Max. for 5,000mm LED strip

Not enough light slot? (ONE driver has 6 light slots)
Add 6-way distributor for additional light slot- 833.74.798 (refer to STEP 3)

Option 1: Connecting lead 4M - L1,L2, L3, L4, L7		Cat. No.	Price* (MYR)
		833.71.648	21.00
Supplied with 1 piece 2000mm connecting lead and 1 piece 2000mm extension lead			
Option 2: Dimmer (w. on/off) 4M - L1,L2 (Please skip step 4 if select this option)		Cat. No.	Price* (MYR)
		833.71.649	64.00
Supplied with 1 piece Aluminium profile dimmer with 2000mm lead and 1 piece 2000mm extension lead			
Option 3: Motion lead 4M - L1, L2 (Please skip step 4 if select this option)		Cat. No.	Price* (MYR)
		833.71.650	69.00
Supplied with 1 piece Aluminium profile dimmer with 2000mm lead and 1 piece 2000mm extension lead			

Mounting bracket		Cabinet width mm	Cat. No.	Price* (MYR)
		0 - 600	833.74.832 x 1	7.00
		700 - 1,200	833.74.832 x 2	14.00
		1,300 - 1,800	833.74.832 x 3	21.00
		1,801 - 2,500	833.74.832 x 4	28.00

Optional connecting accessories			
End cap	Interconnecting lead with clip 50 mm	Clip connector	Corner connector rigid
Cat. No. 833.72.853	Cat. No. 833.73.743	Cat. No. 833.73.748	Cat. No. 833.73.738
Price* (MYR) 5.00	Price* (MYR) 8.00	Price* (MYR) 3.00	Price* (MYR) 5.00

We reserve the right to alter specifications without notice.



LED STRIP LIGHT WITH RECESS ALUMINIUM PROFILE



L2 RECESS LED 2041 (with 120 LEDs/m)	3000K (Warm white)	5000K (Cool white)
<p>LED Strip light detail</p> <p>LED points are not visible</p>	833.71.855	833.71.862
Price* (MYR) / Set	234.00	234.00

Supplied with
1pc (2500 mm) LED strip and 1pc (2500 mm) recess mounting aluminium profile

Light colour	3000K (Warm white)	5000K (Cool white)
Wattage (W)	24 (9.6 per metre)	
Number of LEDs	300 (120 per metre)	
Light output (lm)	13800	14400
Efficacy (lm/W)	95	100
Colour rendering index (CRI)	83	83
Energy efficiency category	A+	A+
Weighted energy consumption	10.56 per metre	

TIPS: How to select the right driver (refer to Step 2)

- a. 40 WATT driver - Max. for 3,000mm LED strip
- b. 60 WATT driver - Max. for 5,000mm LED strip

Not enough light slot? (ONE driver has 6 light slots)

Add 6-way distributor for additional light slot- 833.74.798 (refer to STEP 3)



Option 1: Connecting lead 4M - L1,L2, L3, L4, L7		Cat. No.	Price* (MYR)
		833.71.648	21.00
Supplied with 1 piece 2000mm connecting lead and 1 piece 2000mm extension lead			
Option 2: Dimmer (w. on/off) 4M - L1,L2 (Please skip step 4 if select this option)		Cat. No.	Price* (MYR)
		833.71.649	64.00
Supplied with 1 piece Aluminium profile dimmer with 2000mm lead and 1 piece 2000mm extension lead			
Option 3: Motion lead 4M - L1, L2 (Please skip step 4 if select this option)		Cat. No.	Price* (MYR)
		833.71.650	69.00
Supplied with 1 piece Aluminium profile dimmer with 2000mm lead and 1 piece 2000mm extension lead			

Optional connecting accessories			
End cap	Interconnecting lead with clip 50 mm	Clip connector	Corner connector rigid
Cat. No. 833.72.854	Cat. No. 833.73.743	Cat. No. 833.73.748	Cat. No. 833.73.738
Price* (MYR) 6.00	Price* (MYR) 8.00	Price* (MYR) 3.00	Price* (MYR) 5.00



Stock Item Freight Item

LED STRIP LIGHT WITH CORNER ALUMINIUM PROFILE



L3 CORNER LED 2041 (with 120 LEDs/m)	3000K (Warm white)	5000K (Cool white)
<p>LED Strip light detail</p> <p>LED points are not visible</p>	833.71.856	833.71.863
Price* (MYR) / Set	242.00	242.00

Supplied with
1pc (2500 mm) LED strip and 1pc (2500 mm) corner aluminium profile

Light colour	3000K (Warm white)	5000K (Cool white)
Wattage (W)	24 (9.6 per metre)	
Number of LEDs	300 (120 per metre)	
Light output (lm)	13800	14400
Efficacy (lm/W)	95	100
Colour rendering index (CRI)	83	83
Energy efficiency category	A+	A+
Weighted energy consumption	10.56 per metre	

TIPS: How to select the right driver
(refer to Step 2)

- a. 40 WATT driver - Max. for 3,000mm LED strip
- b. 60 WATT driver - Max. for 5,000mm LED strip

Not enough light slot? (ONE driver has 6 light slots)
Add 6-way distributor for additional light slot- 833.74.798 (refer to STEP 3)

Connecting lead 4M - L1,L2, L3, L4, L7		Cat. No.	Price* (MYR)	
		833.71.648	21.00	
Supplied with 1 piece 2000mm connecting lead and 1 piece 2000mm extension lead				
End cap		Cat. No.	Price* (MYR)	
		833.74.822	3.00	
Mounting bracket		Cabinet width mm	Cat. No.	Price* (MYR)
		0 - 600	833.74.826 x 1	5.00
		700 - 1,200	833.74.826 x 2	14.00
		1,201 - 1,800	833.74.826 x 3	21.00
		1,801 - 2,500	833.74.826 x 4	28.00



LED STRIP LIGHT WITH ANGLE ALUMINIUM PROFILE



L4 ANGLE LED 2041 (with 120 LEDs/m)	3000K (Warm white)	5000K (Cool white)
LED points are not visible		
Price* (MYR) / Set	277.00	277.00

Supplied with
1pc (2500 mm) LED strip and 1pc (2500 mm) angle aluminium profile

Light colour	3000K (Warm white)	5000K (Cool white)
Wattage (W)	24 (9.6 per metre)	
Number of LEDs	300 (120 per metre)	
Light output (lm)	13800	14400
Efficacy (lm/W)	95	100
Colour rendering index (CRI)	83	83
Energy efficiency category	A+	A+
Weighted energy consumption	10.56 per metre	

TIPS: How to select the right driver (refer to Step 2)

- a. 40 WATT driver - Max. for 3,000mm LED strip
- b. 60 WATT driver - Max. for 5,000mm LED strip

Not enough light slot? (ONE driver has 6 light slots)

Add 6-way distributor for additional light slot- 833.74.798 (refer to STEP 3)

Connecting lead 4M - L1,L2, L3, L4, L7	Cat. No.	Price* (MYR)
	833.71.648	21.00

Supplied with 1 piece 2000mm connecting lead and 1 piece 2000mm extension lead

Optional connecting accessories			
End cap	Interconnecting lead with clip 50 mm	Clip connector	Corner connector rigid
Cat. No. 833.74.848	Cat. No. 833.73.743	Cat. No. 833.73.748	Cat. No. 833.73.738
Price* (MYR) 7.00	Price* (MYR) 8.00	Price* (MYR) 3.00	Price* (MYR) 5.00



Stock Item Freight Item

LED STRIP LIGHT WITH DRAWER ALUMINIUM PROFILE



L5 DRAWER LED 2041 (with 120 LEDs/m)	3000K (Warm white)	5000K (Cool white)
	833.71.858	833.71.865
Price* (MYR) / Set	253.00	253.00

Supplied with
1pc (2500 mm) LED strip and 1pc (2500 mm) drawer aluminium profile

Light colour	3000K (Warm white)	5000K (Cool white)
Wattage (W)	24 (9.6 per metre)	
Number of LEDs	300 (120 per metre)	
Light output (lm)	13800	14400
Efficacy (lm/W)	95	100
Colour rendering index (CRI)	83	83
Energy efficiency category	A+	A+
Weighted energy consumption	10.56 per metre	

TIPS: How to select the right driver (refer to Step 2)

- a. 40 WATT driver - Max. for 3,000mm LED strip
- b. 60 WATT driver - Max. for 5,000mm LED strip

Not enough light slot? (ONE driver has 6 light slots)
Add 6-way distributor for additional light slot- 833.74.798 (refer to STEP 3)

Optional 1: Drawer Door sensor lead 4M - L5 (Please skip step 4 if select this option)

	Cat. No.	Price* (MYR)
	833.71.651	104.00

Supplied with 1 piece door sensor 12V for drawer profile with 2000mm lead, 1 piece 2000mm extension lead and 1 pack of 5 sets of end caps with fixing screws

Optional 2: Drawer Motion Detector Lead - L5 (Please skip step 4 if select this option)

	Cat. No.	Price* (MYR)
	833.71.652	107.00

Supplied with 1 piece door sensor 12V for drawer profile with 2000mm lead, 1 piece 2000mm extension lead and 1 pack of 5 sets of end caps with fixing screws

Mounting bracket

Cabinet width mm	Cat. No.	Price* (MYR)
0 - 600	833.74.893 x 1	7.00
700 - 1,200	833.74.893 x 2	14.00
1,201 - 1,800	833.74.893 x 3	21.00
1,801 - 2,500	833.74.893 x 4	28.00

Optional connecting accessories: Clip connector

	Cat. No.	Price* (MYR)
	833.73.748	3.00

LED STRIP LIGHT WITH WARDROBE RAIL



L6 WARDROBE RAIL LED 2041 (with 120 LEDs/m)	3000K (Warm white)	5000K (Cool white)
	<p>833.71.859 </p> <p>Price* (MYR) / Set</p> <p>282.00</p>	<p>833.71.866 </p> <p>282.00</p>

Supplied with
1 piece (2500mm) LED strip and 1 piece (2500mm) wardrobe rail

Light colour	3000K (Warm white)	5000K (Cool white)
Wattage (W)	24 (9.6 per metre)	
Number of LEDs	300 (120 per metre)	
Light output (lm)	13800	14400
Efficacy (lm/W)	95	100
Colour rendering index (CRI)	83	83
Energy efficiency category	A+	A+
Weighted energy consumption	10.56 per metre	

TIPS: How to select the right driver (refer to Step 2)

- a. 40 WATT driver - Max. for 3,000mm LED strip
- b. 60 WATT driver - Max. for 5,000mm LED strip

Not enough light slot? (ONE driver has 6 light slots)

Add 6-way distributor for additional light slot- 833.74.798 (refer to STEP 3)

Connecting lead 4M w/ end support - L6	Cat. No.	Price* (MYR)
	<p>833.71.653 </p>	<p>23.00</p>

Supplied with 1 piece 2000mm connecting lead and 1 piece 2000mm extension lead

Optional connecting accessories			
Rail centre support		Interconnecting lead with clip 50 mm	
Cat. No.	802.07.200	Cat. No.	833.73.748
Price* (MYR)	36.00	Price* (MYR)	3.00



Stock Item Freight Item

LED STRIP LIGHT WITH GLASS EDGE PROFILE



L7 GLASS EDGE LED 2041 (with 120 LEDs/m)	3000K (Warm white)	5000K (Cool white)
<p>LED Strip light detail</p> <p>LED points are not visible</p>	833.71.860	833.71.867
Price* (MYR) / Set	223.00	223.00

Supplied with

1 piece (2500mm) LED strip and 1 piece (2500mm) glass edge profile



- > For manufacturing customized glass edge lighting for glass thickness of 4-8mm
- > Without load bearing function
- > Only for LED strip lights with max 7.5W/m

Light colour	3000K (Warm white)	5000K (Cool white)
Wattage (W)	24 (9.6 per metre)	
Number of LEDs	300 (120 per metre)	
Light output (lm)	13800	14400
Efficacy (lm/W)	95	100
Colour rendering index (CRI)	83	83
Energy efficiency category	A+	A+
Weighted energy consumption	10.56 per metre	

TIPS: How to select the right driver (refer to Step 2)

- 40 WATT driver - Max. for 3,000mm LED strip
- 60 WATT driver - Max. for 5,000mm LED strip

Not enough light slot? (ONE driver has 6 light slots)

Add 6-way distributor for additional light slot- 833.74.798 (refer to STEP 3)

Connecting lead 4M - L1,L2, L3, L4, L7	Cat. No.	Price* (MYR)
<p>Supplied with 1 piece 2000mm connecting lead and 1 piece 2000mm extension lead</p>	833.71.648	21.00



LED STRIP LIGHT WITH SURFACE ALUMINIUM PROFILE



L1 SURFACE LED2042 (with 60 LEDs/m)		3000K (Warm white)	5000K (Cool white)
		833.71.634	833.71.641
LED Strip light detail		LED points are visible	
Price* (MYR) / Set		182.00	182.00

Light colour	3000K (Warm white)	5000K (Cool white)
Wattage (W)	12 (4.80 per metre)	
Number of LEDs	150 (60 per metre)	
Light output (lm)	7,200	7,200
Efficacy (lm/W)	100	100
Colour rendering index (CRI)	83	83
Energy efficiency category	A+	A+
Weighted energy consumption	5.28 per meter	

Supplied with

1pc (2500 mm) LED strip and 1pc (2500 mm) surface mounting aluminium profile

TIPS: How to select the right driver (refer to Step 2)

- a. 40 WATT driver - Max. for 7,000mm LED strip
- b. 60 WATT driver - Max. for 11,000mm LED strip

Not enough light slot? (ONE driver has 6 light slots)

Add 6-way distributor for additional light slot- 833.74.798 (refer to STEP 3)

Option 1: Connecting lead 4M - L1,L2, L3, L4, L7

		Cat. No.	Price* (MYR)
		833.71.648	21.00

Option 2: Dimmer (w. on/off) 4M - L1,L2 (Please skip step 4 if select this option)

		Cat. No.	Price* (MYR)
		833.71.649	64.00

Option 3: Motion lead 4M - L1, L2 (Please skip step 4 if select this option)

		Cat. No.	Price* (MYR)
		833.71.650	69.00

Mounting bracket

Cabinet width mm	Cat. No.	Price* (MYR)
0 - 600	833.74.832 x 1	7.00
700 - 1,200	833.74.832 x 2	14.00
1,201 - 1,800	833.74.832 x 3	21.00
1,801 - 2,500	833.74.832 x 4	28.00

Optional connecting accessories

End cap	Interconnecting lead with clip 50 mm	Clip connector	Corner connector rigid
Cat. No. 833.72.853	Cat. No. 833.73.743	Cat. No. 833.73.748	Cat. No. 833.73.738
Price* (MYR) 5.00	Price* (MYR) 8.00	Price* (MYR) 3.00	Price* (MYR) 5.00



Stock Item Freight Item

LED STRIP LIGHT WITH RECESS ALUMINIUM PROFILE



L2 RECESS LED2042 (with 60 LEDs/m)	3000K (Warm white)	5000K (Cool white)
<p>LED Strip light detail</p> <p>LED points are visible</p>	833.71.635	833.71.642
Price* (MYR) / Set	186.00	186.00

Supplied with
1pc (2500 mm) LED strip and 1pc (2500 mm) recess mounting aluminium profile

Light colour	3000K (Warm white)	5000K (Cool white)
Wattage (W)	12 (4.80 per metre)	
Number of LEDs	150 (60 per metre)	
Light output (lm)	7,200	7,200
Efficacy (lm/W)	100	100
Colour rendering index (CRI)	83	83
Energy efficiency category	A+	A+
Weighted energy consumption	5.28 per meter	

TIPS: How to select the right driver (refer to Step 2)

- a. 40 WATT driver - Max. for 7,000mm LED strip
- b. 60 WATT driver - Max. for 11,000mm LED strip

Not enough light slot? (ONE driver has 6 light slots)

Add 6-way distributor for additional light slot-
833.74.798 (refer to STEP 3)



Option 1: Connecting lead 4M - L1, L2, L3, L4, L7	Cat. No.	Price* (MYR)
	833.71.648	21.00
Option 2: Dimmer (w. on/off) 4M - L1, L2 (Please skip step 4 if select this option)	Cat. No.	Price* (MYR)
	833.71.649	64.00
Option 3: Motion lead 4M - L1, L2 (Please skip step 4 if select this option)	Cat. No.	Price* (MYR)
	833.71.650	69.00

Optional connecting accessories			
End cap	Interconnecting lead with clip 50 mm	Clip connector	Corner connector rigid
Cat. No. 833.72.854	Cat. No. 833.73.743	Cat. No. 833.73.748	Cat. No. 833.73.728
Price* (MYR) 6.00	Price* (MYR) 8.00	Price* (MYR) 3.00	Price* (MYR) 15.00



LED STRIP LIGHT WITH CORNER ALUMINIUM PROFILE



L3 CORNER LED2042 (with 60 LEDs/m)	3000K (Warm white)	5000K (Cool white)
<p>LED Strip light detail</p> <p>LED points are visible</p>	833.71.636	833.71.643
Price* (MYR) / Set	194.00	194.00

Supplied with
1pc (2500 mm) LED strip and 1pc (2500 mm) corner aluminium profile

Light colour	3000K (Warm white)	5000K (Cool white)
Wattage (W)	12 (4.80 per metre)	
Number of LEDs	150 (60 per metre)	
Light output (lm)	7,200	7,200
Efficacy (lm/W)	100	100
Colour rendering index (CRI)	83	83
Energy efficiency category	A+	A+
Weighted energy consumption	5.28 per meter	

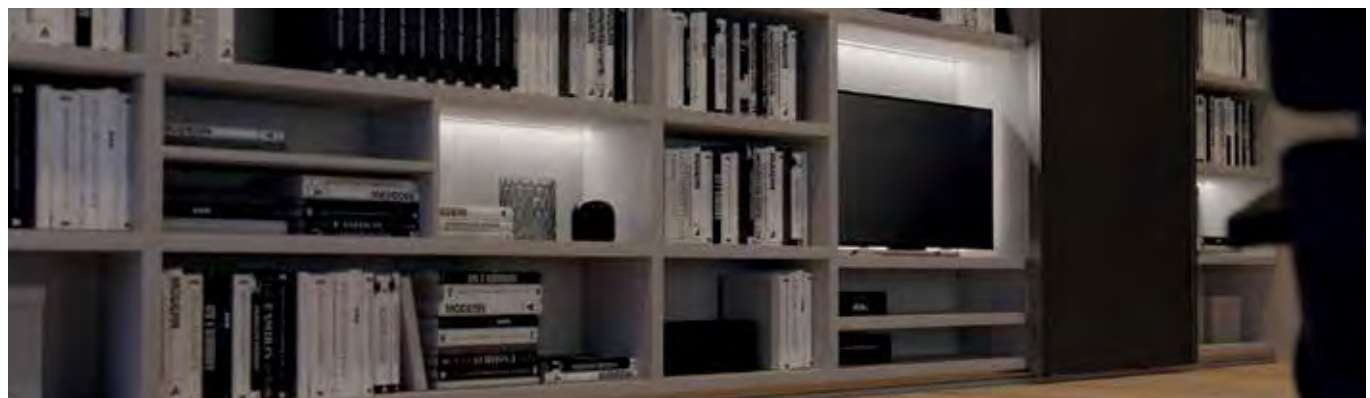
TIPS: How to select the right driver (refer to Step 2)

- a. 40 WATT driver - Max. for 7,000mm LED strip
- b. 60 WATT driver - Max. for 11,000mm LED strip

Not enough light slot? (ONE driver has 6 light slots)

Add 6-way distributor for additional light slot- 833.74.798 (refer to STEP 3)

Connecting lead 4M - L1,L2, L3, L4, L7			
	Cat. No.	Price* (MYR)	
	833.71.648	21.00	
End cap			
	Cat. No.	Price* (MYR)	
	833.74.822	3.00	
Mounting bracket			
	Cabinet width mm	Cat. No.	Price* (MYR)
	0 - 600	833.74.826 x 1	5.00
	700 - 1,200	833.74.826 x 2	10.00
	1,201 - 1,800	833.74.826 x 3	15.00
	1,801 - 2,500	833.74.826 x 4	20.00



Stock Item Freight Item

LED STRIP LIGHT WITH ANGLE ALUMINIUM PROFILE



L4 ANGLE LED2042 (with 60 LEDs/m)	3000K (Warm white)	5000K (Cool white)
<p>LED Strip light detail</p> <p>LED points are visible</p>	833.71.637	833.71.644
Price* (MYR) / Set	231.00	231.00

Supplied with
1pc (2500 mm) LED strip and 1pc (2500 mm) recess mounting angle aluminium profile

Light colour	3000K (Warm white)	5000K (Cool white)
Wattage (W)	12 (4.80 per metre)	
Number of LEDs	150 (60 per metre)	
Light output (lm)	7,200	7,200
Efficacy (lm/W)	100	100
Colour rendering index (CRI)	83	83
Energy efficiency category	A+	A+
Weighted energy consumption	5.28 per meter	

TIPS: How to select the right driver (refer to Step 2)

- 40 WATT driver - Max. for 7,000mm LED strip
- 60 WATT driver - Max. for 11,000mm LED strip

Not enough light slot? (ONE driver has 6 light slots)

Add 6-way distributor for additional light slot- 833.74.798 (refer to STEP 3)

Connecting lead 4M - L1,L2, L3, L4, L7	Cat. No.	Price* (MYR)
	833.71.648	21.00

Optional connecting accessories		
End cap	Interconnecting lead with clip 50 mm	Clip connector
Cat. No. 833.74.848 Price* (MYR) 7.00	Cat. No. 833.73.743 Price* (MYR) 8.00	Cat. No. 833.73.748 Price* (MYR) 3.00



Stock Item Freight Item

LED STRIP LIGHT WITH DRAWER ALUMINIUM PROFILE



L5 DRAWER LED2042 (with 60 LEDs/m)	3000K (Warm white)	5000K (Cool white)
	833.71.638	833.71.645
Price* (MYR) / Set	206.00	206.00

Supplied with
1pc (2500 mm) LED strip and 1pc (2500 mm) drawer aluminium profile

Light colour	3000K (Warm white)	5000K (Cool white)
Wattage (W)	12 (4.80 per metre)	
Number of LEDs	150 (60 per metre)	
Light output (lm)	7,200	7,200
Efficacy (lm/W)	100	100
Colour rendering index (CRI)	83	83
Energy efficiency category	A+	A+
Weighted energy consumption	5.28 per meter	

TIPS: How to select the right driver (refer to Step 2)

- a. 40 WATT driver - Max. for 7,000mm LED strip
- b. 60 WATT driver - Max. for 11,000mm LED strip

Not enough light slot? (ONE driver has 6 light slots)
Add 6-way distributor for additional light slot- 833.74.798 (refer to STEP 3)

Optional 1: Drawer Door sensor lead 4M - L5 (Please skip step 4 if select this option)			
	Cat. No.	Price* (MYR)	
	833.71.651	66.00	
Optional 2: Drawer. Motion lead 4M - L5 (Please skip step 4 if select this option)			
	Cat. No.	Price* (MYR)	
	833.71.652	69.00	
Mounting bracket			
	Cabinet width mm	Cat. No.	Price* (MYR)
	0 - 600	833.74.893 x 1	7.00
	700 - 1,200	833.74.893 x 2	14.00
	1,201 - 1,800	833.74.893 x 3	21.00
	1,801 - 2,500	833.74.893 x 4	28.00
Optional connecting accessories: Clip connector			
	Cat. No.	Price* (MYR)	
	833.73.748	3.00	



Stock Item Freight Item

LED STRIP LIGHT WITH WARDROBE RAIL



L6 WARDROBE RAIL LED2042 (with 60 LEDs/m)	3000K (Warm white)	5000K (Cool white)
<p>LED Strip light detail</p> <p>LED points are visible</p>	833.71.639	833.71.646
Price* (MYR) / Set	236.00	236.00

Supplied with
1pc (2500 mm) LED strip and 1pc (2500 mm) wardrobe rail

Light colour	3000K (Warm white)	5000K (Cool white)
Wattage (W)	24 (4.80 per metre)	
Number of LEDs	300 (60 per metre)	
Light output (lm)	7,200	7,200
Efficacy (lm/W)	100	100
Colour rendering index (CRI)	83	83
Energy efficiency category	A+	A+
Weighted energy consumption	5.28 per meter	

TIPS: How to select the right driver (refer to Step 2)

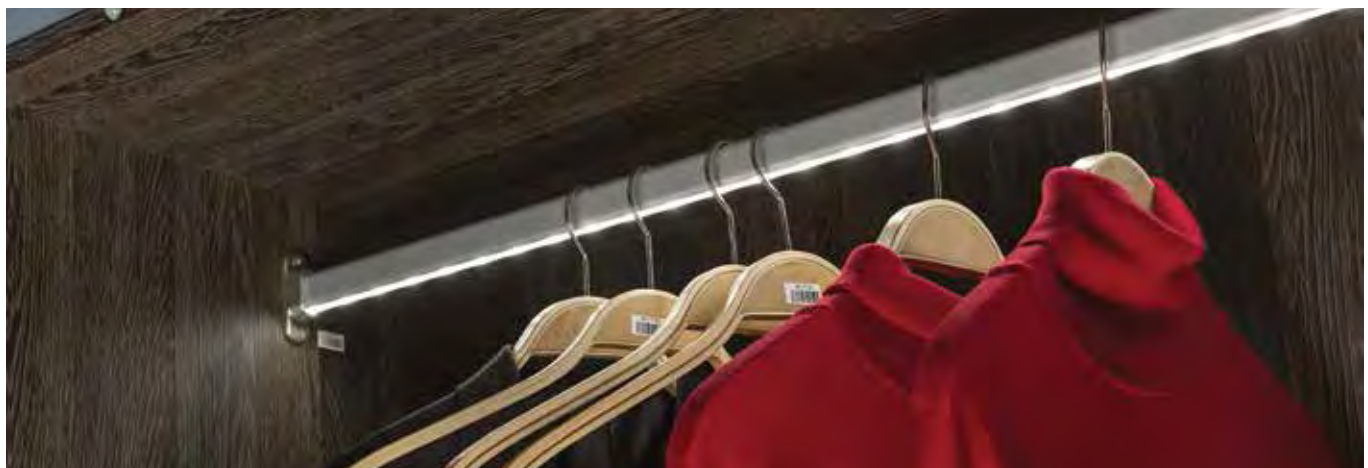
- a. 40 WATT driver - Max. for 7,000mm LED strip
- b. 60 WATT driver - Max. for 11,000mm LED strip

Not enough light slot? (ONE driver has 6 light slots)

Add 6-way distributor for additional light slot- 833.74.798 (refer to STEP 3)

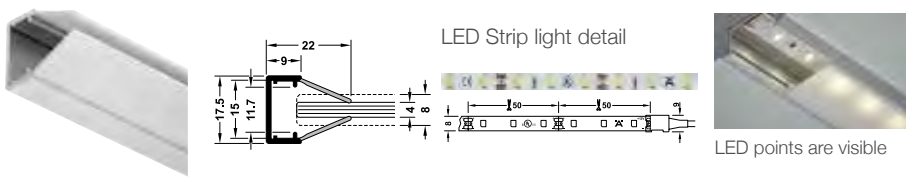


Connecting lead 4M w/ end support - L6	Cat. No.	Price* (MYR)
	833.71.653	23.00

Optional connecting accessories	
Rail centre support Cat. No. 802.07.200 Price* (MYR) 36.00	Interconnecting lead with clip 50 mm Cat. No. 833.73.748 Price* (MYR) 3.00



LED STRIP LIGHT WITH GLASS EDGE PROFILE



L7 GLASS EDGE LED2042 (with 60 LEDs/m)	3000K (Warm white)	5000K (Cool white)
 <p>LED Strip light detail</p> <p>LED points are visible</p>	833.71.640 	833.71.647 
Price* (MYR) / Set	174.00	174.00

Supplied with
1pc (2500 mm) LED strip and 1pc (2000mm) glass edge profile



- > For manufacturing customized glass edge lighting for glass thickness of 4-8mm
- > Without load bearing function
- > Only for LED strip lights with max 7.5W/m

Light colour	3000K (Warm white)	5000K (Cool white)
Wattage (W)	12 (4.80 per metre)	
Number of LEDs	150 (60 per metre)	
Light output (lm)	7,200	7,200
Efficacy (lm/W)	100	100
Colour rendering index (CRI)	83	83
Energy efficiency category	A+	A+
Weighted energy consumption	5.28 per meter	

TIPS: How to select the right driver (refer to Step 2)

- a. 40 WATT driver - Max. for 7,000mm LED strip
- b. 60 WATT driver - Max. for 11,000mm LED strip

Not enough light slot? (ONE driver has 6 light slots)

Add 6-way distributor for additional light slot- 833.74.798 (refer to STEP 3)

Connecting lead 4M - L1,L2, L3, L4, L7

	Cat. No.	Price* (MYR)
	833.71.648 	21.00



 Stock Item  Freight Item

USB CONVERTER

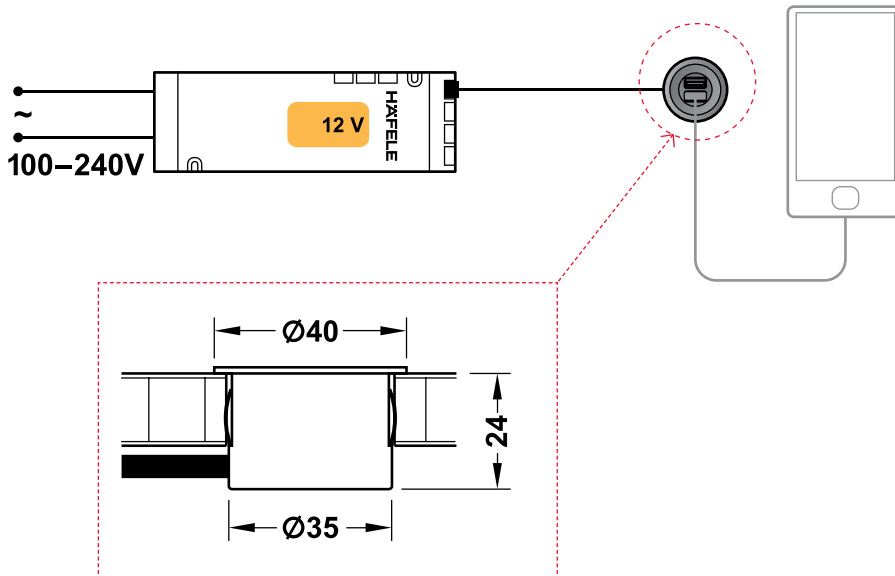


The USB converter is intended for direct installation in the furniture. It can charge up to two tablets or smartphones simultaneously, and therefore provides additional functionality in the living area and stores. The cover ring can be removed.

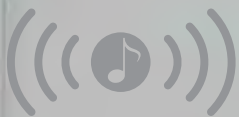
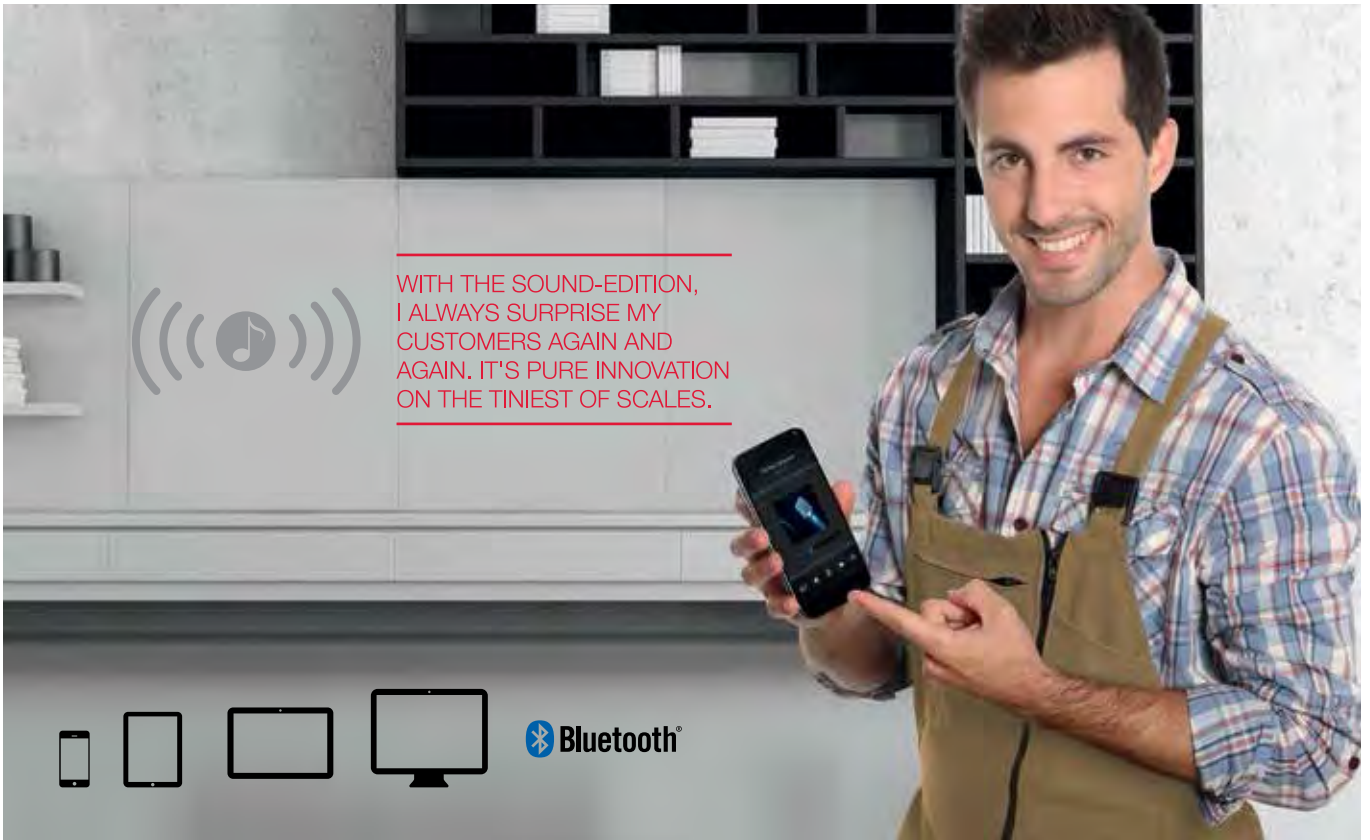


Installation	For mounting in drilled hole, with clip fastener	
Output voltage	5 V	
Output current	2 A	
Power consumption	15 W	✘
Cat. No.	833.71.681	
Price* (MYR)/ SET		42.00

Supplied with
1pc USB charging station, 1pc 2m lead and 1pc 2m extension lead



SOUNDSYSTEM 420



WITH THE SOUND-EDITION, I ALWAYS SURPRISE MY CUSTOMERS AGAIN AND AGAIN. IT'S PURE INNOVATION ON THE TINIEST OF SCALES.

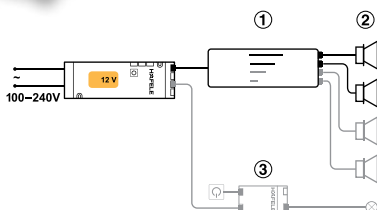


Easy as child's play. Just click to set the auditory mood:

1. Activate Bluetooth® in the settings of your smartphone, tablet or notebook
2. Select the desired sound product and connect it
3. Select the stored music you want to play in the player of your choice. Alternatively, use streaming services such as Spotify, Simfy, Napster or other sites.

TIPS: How to select the right driver (refer to Step 2)
60 WATT driver - With 2 / 4 exciters

- Adds extra value to furniture
- Very easy plug-and-play installation
- Exciter technology(structure-borne sound converter) for invisible music playback



Transmission technology	Bluetooth with 10m max. range	Bluetooth with 10m max. range
Number of connectible exciters	2	4
Amplifier power (wattage)	42 watts	57 watts
Cat. No.	822.65.034 x 1 ✖	822.65.034 x 1 ✖ 822.65.039 x 2 ✖
Price* (MYR)/ Set	1,748.00	2,484.00

Supplied with
1 set amplifier, 1 set bluetooth receiver and 2pcs/ 4pcs exciters

Stock Item Freight Item

STEP 2: SELECT DRIVER

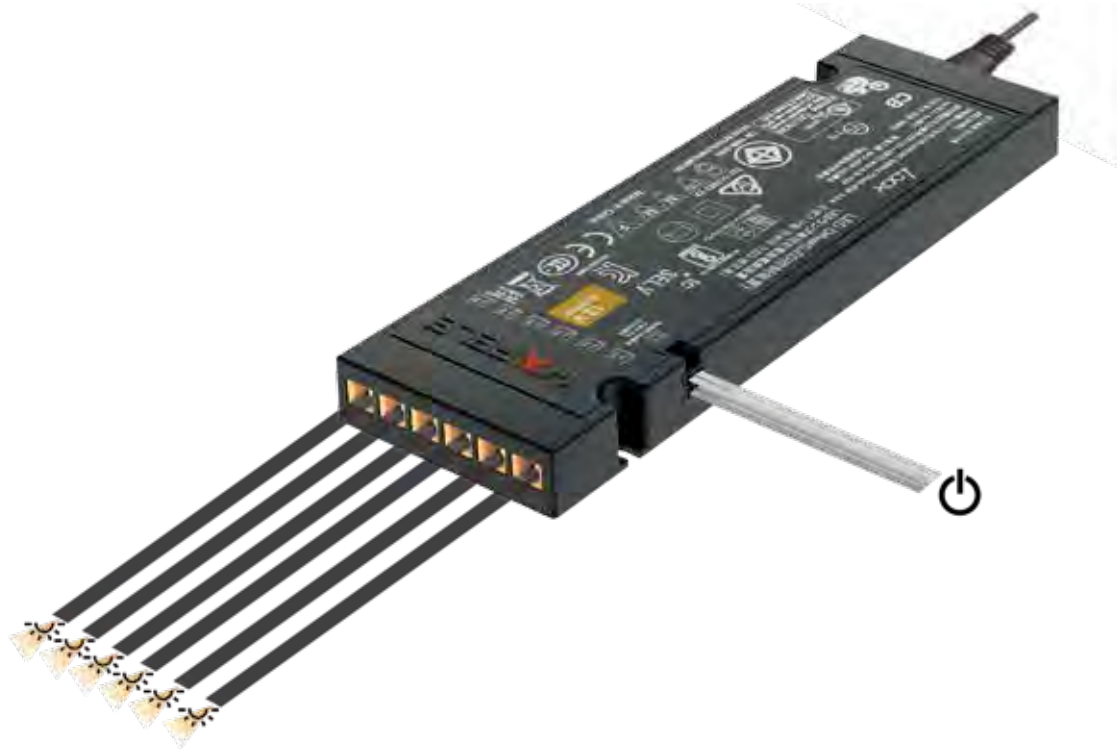
The intelligent drivers represent the core of the LOOX System. Not only do they provide different numbers of lights with the power that is required, but they are also suitable for the different voltages and frequencies all over the world, recognise different types of switch, can be used dimming and can be combined in many different ways. International testing and certification make the use thereof extremely safe and easy.



LOOX DRIVER



Not enough light slot? (ONE driver has 6 light slots)
 Add 6-way distributor for additional light slot- 833.74.798 (refer to STEP 3)



Intelligent drivers represent the core of the Loox system. Not only do they provide different numbers of lights with the power that is required, but they are also suitable for different voltages and frequencies all over the world. Loox drivers can also recognise different types of switch, can be used for dimming and can be combined in many different ways.



40 W



60 W

Wattage (W)	0 - 40	0 - 60
Input voltage	100 - 240 V; 50 - 60 Hz	100 - 240 V; 50 - 60 Hz
Output voltage	DC 12V	DC 12V
Output current	3.33 A	3.5 A
Degree of protection	IP20	IP20
Number of slots	6 slots for 12V lights, 1 slot for switch, 1 slot for primary leads	
Colour	Black	Black
Length (mm)	190	230
Width (mm)	60	70
Height (mm)	16	16
Cat. No.	833.71.692	833.71.693
Price* (MYR)/ SET	179.00	218.00

Supplied with
 1pc driver and 1pc primary lead



Stock Item Freight Item

STEP 3: SELECT COMPONENT

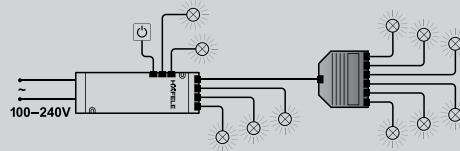
THE MOST IMPORTANT COMPONENTS OF THE LOOX SYSTEM

Based on the plug and play driver, you can customise the system in accordance with your requirements using add-on modules. The flexible and modular system components make it possible to have a wide range of applications and solutions, simplify installation or provide meaningful combinations of different lights and switches.

6-WAY DISTRIBUTOR



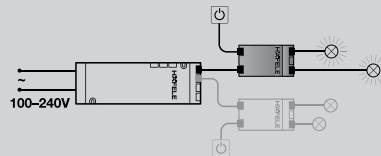
With the 6-way distributor, up to 5 additional lights can be operated from one driver slot.



3-WAY DISTRIBUTOR WITH SWITCHING FUNCTION



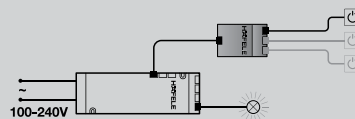
The relevant lights can be operated separately and individually using the 3-way distributor with switching function connected to the output of the light.



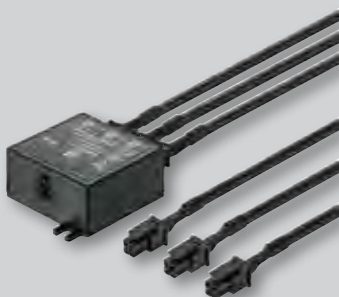
MULTI SWITCH BOX



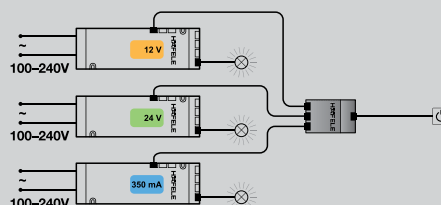
1 LED driver operated by up to 3 switches. Allows the LED driver to be switched on and off from different positions.



MULTI DRIVER BOX



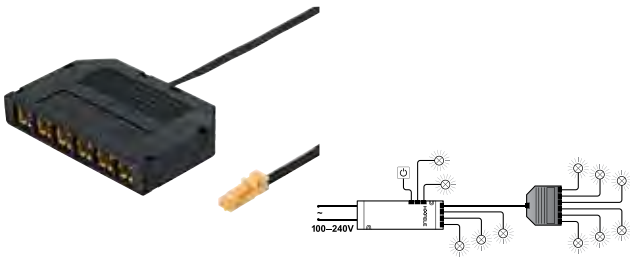
Up to 3 LED drivers can be controlled with 1 switch. Several drivers and therefore several lights in the room can be switched on and off with one switch. These can also be 3 of the same driver if you require additional power in a 12 V system, for example.



LOOX COMPONENT



6-Way distributor - For connecting additional lights to one driver

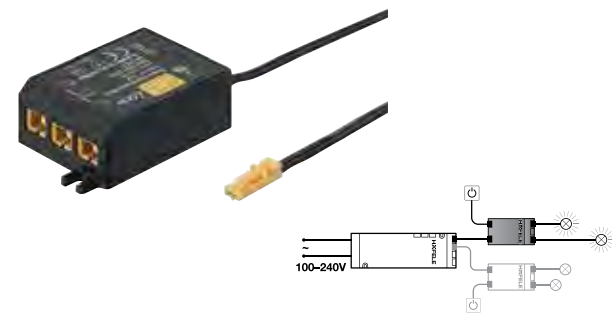


> With the 6-way distributor, up to 5 additional lights can be operated from one driver slot.

Dimension L x W x H mm	58.5 x 34 x 18
Cat. No.	833.74.798
Price* (MYR)/ SET	24.00

Supplied with
1 distributor with 2m lead

3-Way distributor with switching function

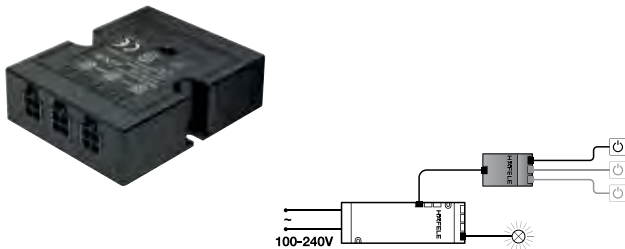


> Up to 3 lights can be operated separately and individually using the 3-way distributor with switching function connected to the output of the light.

Dimension L x W x H mm	57 x 34 x 18
Cat. No.	833.74.751
Price* (MYR)/ SET	21.00

Supplied with
1 distributor with 200 mm lead

Multi switch box



> 1 LED driver operated by up to 3 switches. Allows the LED driver to be switched on and off from different points.
> Function: 2 operating modes can be selected using an integrated toggle switch. Cross circuit: On/off switching at different switches OR circuit: Switching on with switch 1,2 or 3. For switching off, all switches that were switched on have to be actuated again.

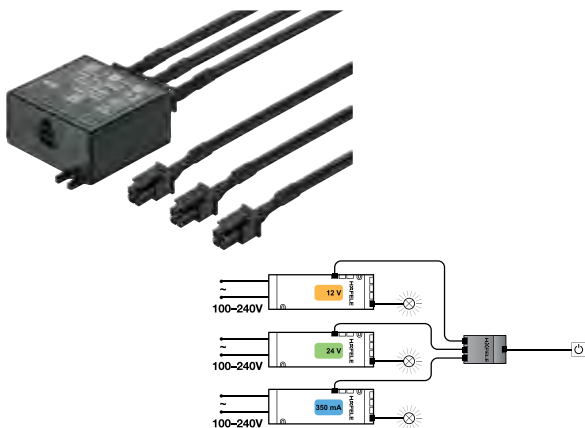
Dimension L x W x H mm	55 x 45 x 16
Cat. No.	833.89.066
Price* (MYR)/ SET	36.00

Supplied with
1 multi switch box with 1m lead



> A dimmer cannot be used in combination with the multi switch box.

Multi driver box



> Up to 3 LED drivers can be controlled with 1 switch. Several drives and therefore several lights in the room can be switched on and off with one switch. These can also be 3 of the same driver if you require additional power in a 12V system, for example.
> Max. 3 x 75W per multi driver box

Dimension L x W x H mm	50 x 40 x 19
Cat. No.	833.89.061
Price* (MYR)/ SET	60.00

Supplied with
1 multi driver box with 3 x 1m lead

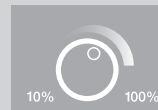
Stock Item Freight Item

STEP 4: SELECT SWITCH

Different cable-connected switches that are completely independent of the location create new freedom in furniture planning.



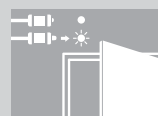
Sensor switch, modular



Dimmer switch, modular



Door sensor switch, modular



Door contact switch



Motion detector switch, modular



Rocker switch

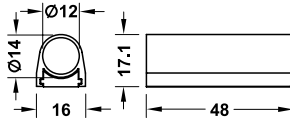
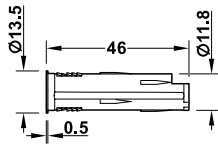
LOOX SWITCH



Sensor switch, modular - touch free on / off switching



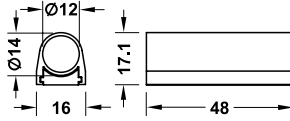
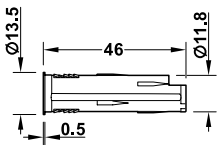
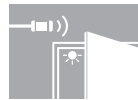
TOUCH FREE



Drill hole	Ø12 mm
Length	46 mm
Sensor range	0 - 80 mm
Standby power	1 watt
Finish	Plastic, Silver
Cat. No.	833.71.479
Price* (MYR)/ pce	93.00

Supplied with
1pc switch, 1pc 2m lead, 1pc housing and
1pc extension lead

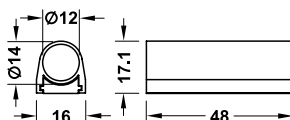
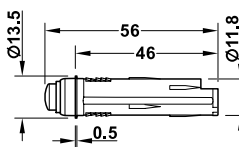
Door sensor switch, modular



Drill hole	Ø12 mm
Length	46 mm
Sensor range	0 - 100 mm
Power consumption	1 watt
Finish	Plastic, Silver
Cat. No.	833.71.480
Price* (MYR)/ pce	93.00

Supplied with
1pc switch, 1pc 2m lead, 1pc housing and
1pc extension lead

Motion detector, modular - automatic on / off switching



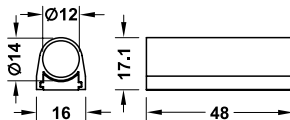
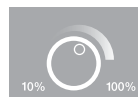
Drill hole	Ø12 mm
Length	56 mm
Sensor range	0 - 3,000 mm
Power consumption	1 watt
Delay time	Approx. 30 seconds
Finish	Plastic, Silver
Cat. No.	833.71.481
Price* (MYR)/ pce	101.00

Supplied with
1pc switch, 1pc 2m lead, 1pc housing and
1pc extension lead

Dimmer, modular



TOUCH FREE

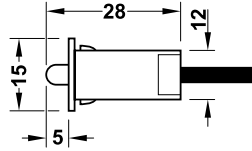
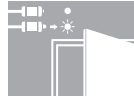



Drill hole	Ø12 mm
Length	46 mm
Sensor range	0 - 60 mm
Power consumption	1 watt
Finish	Plastic, Silver
Cat. No.	833.71.482
Price* (MYR)/ pce	93.00

Supplied with
1pc switch, 1pc 2m lead, 1pc housing and
1pc extension lead

Stock Item Freight Item

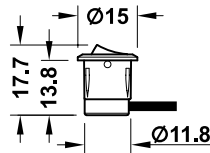
Door contact switch




Drill hole mm	Ø12
Length mm	28
Finish	Plastic, black
Cat. No.	833.71.682 
Price* (MYR)/ pce	37.00

Supplied with
1pc switch with 2m lead and 1pc extension lead

Rocker switch













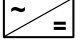



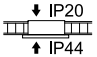

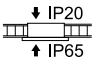







Drill hole mm	Ø12
Length mm	15
Height mm	17.7
Finish	Plastic, black
Cat. No.	833.71.683 
Price* (MYR)/ pce	38.00

Supplied with
1pc switch with 2m lead and 1pc extension lead

SYMBOLS AND TERMS

TEST SYMBOLS AND DEFINITION OF TECHNICAL TERMS

	TÜV seal of quality		Thai Industrial Standards Institute TISI		Do not use components that impede thermal radiation.
	Confirmation from manufacturer that the product complies with the product-specific applicable European directives.	RoHS	Restriction of Hazardous Substances (EU directive 2011/65/EU)	K	Kelvin
	Underwriters Laboratories correspondence with the national standards in the USA and Canada.		Protection class II	W	Watt
	Product Safety Electrical Appliance and Material Safety Law (for Japan)		Protection class III	T_A	Ambient temperature
	Regulatory Compliance Mark (for Australia)	SELV	Safety Extra Low Voltage	f	Frequency
	China Compulsory Certification	IP20	Only for use in dry locations		Switches
	Declaration of Conformity for telecommunication and radio equipment (USA)	IP44	Penetration by solid foreign bodies ≥ 1 mm \varnothing is prevented. Water spray protection (water from all directions)		Driver
	Telecommunication and Radio Equipment (Japan)	IP65	Dust-tight, protection from water spray (jet) from any angle.		Dimmable
	Korea Certification Mark		IP44 after installation		Motion detector
	Bureau of Standards, Metrology & Inspection BSMI (for Taiwan)		IP65 after installation		RGB light
			Furniture installation symbol		Multi white light
			Lights to be used indoors only. Not to be used outdoors!		Bluetooth: Industry standard for data transmission between electronic devices by radio over a short distance.

Technical terms

Luminous flux	The luminous flux indicates the light output, i.e. the quantity of light a source emits. It is indicated in Lumen (lm).
Luminous efficacy	The luminous efficacy is the ratio of the luminous flux and the wattage absorbed (lm/W) and is used to measure the operating efficiency of the light source.
Illuminance	The illuminance is the luminous flux in relation to a surface and it is indicated in Lux (lx = lm/m). It is used to measure the brightness with which a surface is illuminated.
Refraction angle	The refraction angle (beam angle) describes the angle between two imagined straight lines in a plane through the optical beam axis, whereby these straight lines go through the centre of the front of the lamp and through the points at which the illuminance is 50% of the illuminance on the optical beam axis.
Colour temperature	The colour temperature is a specification of the colour appearance of a white light source and is measured in Kelvin (K). The lower the colour temperature, the warmer the light; the higher the colour temperature, the cooler the light. White light sources with a colour temperature below 3400 K are considered "warm white", white light sources with a colour temperature between 3400 K and 5700 K are considered "cool white". White light sources above 5700 K are referred to as "daylight white".
Colour binning	LEDs are sorted according to colour temperature. LED colour deviations are dependent on the grade of binning.
Colour rendering index (CRI)	The colour rendering index is a parameter that can be used to compare the colour rendering quality of light sources at the same colour temperature. The higher the value, the better the colour rendering. A value of 100 corresponds to the colour rendering of daylight.
Energy efficiency class	The energy efficiency class provides information about the relevant energy consumption. Lamps and lights are categorised in classes E to A++. Led lights achieve the highest classes a to A++.
Weighted energy consumption	The weighted energy consumption shows the energy consumption in kilowatt hours in relation to 1,000 hours of use.

LED LIGHTING TECHNOLOGY

TEST SYMBOLS AND DEFINITION OF TECHNICAL TERMS

LEDs (Light Emitting Diodes) can vary the properties of the light that is generated, and generate almost the entire colour spectrum. Unlike normal incandescent bulbs or halogen bulbs, LED's generate little heat. They use less energy and have a long life time.

THE ADVANTAGES:

> Longer lasting

LED lights have an extremely long life time of up to 25 years or more than 40,000 to 50,000 hours.

> Insensitive

LEDs have an extremely small and robust design. This makes handling easier during furniture construction and transport.

> Low heat generation

Because of their extremely low power consumption, LED lights generate hardly any heat.

This means that LED lighting systems are particularly suitable for displays.

> Energy-saving

LED lights use an impressive 90 percent less power than conventional incandescent bulbs!

This means that they can be used to implement modern lighting scenarios in furniture, and still be in line with the energy saving trend.

> Powerful

Modern LED lights are bright and have a saturated light colour. They achieve full brightness as soon as they are switched on.

LED furniture lighting therefore has a lasting effect at the push of a button.

> Rich in variants

LED lights are available in different colours, and can also be designed as colour changing lights.

This allows the colour temperature to be coordinated with furniture contents such as exhibits in the best possible way.

> Rich in variants

LED lights are available in different colours, and can also be designed as colour changing lights.

This allows the colour temperature to be coordinated with furniture contents such as exhibits in the best possible way.



LED FLEXIBLE STRIP LIGHT QUALITY FEATURES

How to recognize our quality:

Light emitting diode (LED):

- > Use of extremely bright high-power LEDs for maximum light quality
- > Low light colour tolerance - subsequent purchases have the same colour
- > At the end of their life time, the LEDs still have at least 70% of the luminous flux (ambient temperature $\leq 35^{\circ}\text{C}$)

Structure of strip:

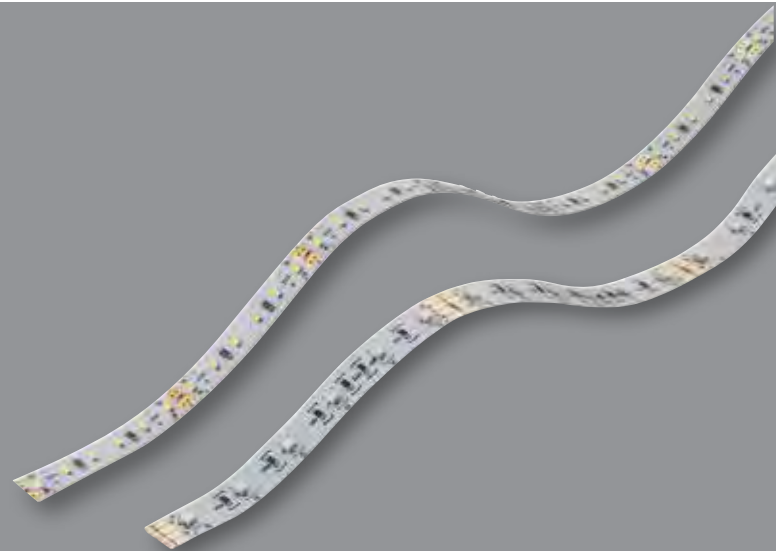
- > Multi-layer for transporting high currents with little heat development
- > Flexible copper alloy for avoiding broken conductor tracks
- > Gold-plated connections for a permanently reliable, corrosion-free contact
- > White top coat with UV coating to prevent corrosion and yellowing, for permanent aesthetics
- > Reflective white top coat for better light yield
- > The rear 3M[®] adhesive tape provides secure adhesion to practically any surface
- > Strips can be individually shortened, extended and are also flexible due to clip and corner connectors



PLAN FLEXIBLY

Loox. The comprehensive kit of light and functions

To achieve different lighting effects is one thing. To respond to different installation situations, is something else altogether. With the large number of components in the Loox LED system both are possible. From the wide-angle beam of interior cabinet lighting incorporating a door contact switch combined with drawer lighting, to the combination of mood and functional lighting in an open kitchen.

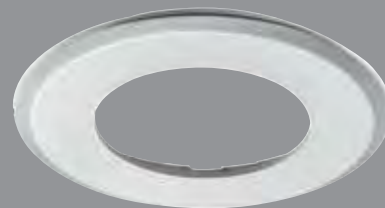
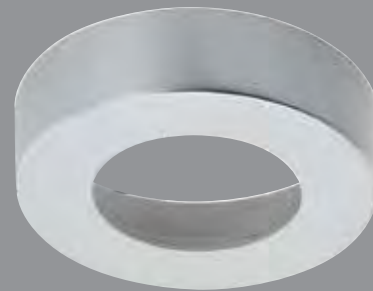


LED FLEXIBLE STRIP LIGHTS



SURFACE MOUNTED DOWNLIGHT

MODULAR DOWNLIGHTS



SWITCHES

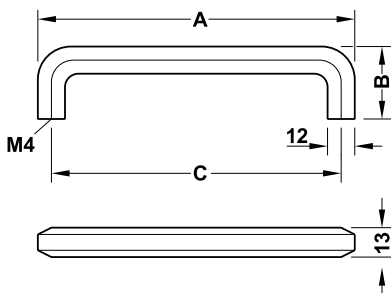




FURNITURE
HANDLE

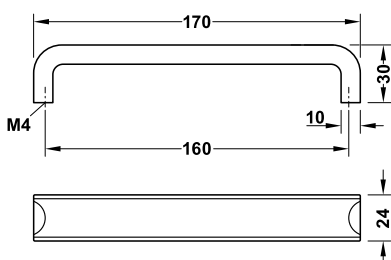


FURNITURE HANDLE
ZINC ALLOY



> The handles have been specially treated to look used. This makes every handle unique.

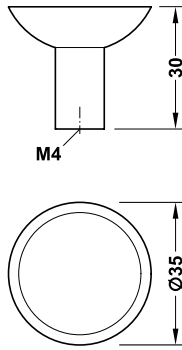
Model H1710						
Finish	Dim. A	Dim. B	Dim. C	Cat. No.		Price* (MYR)
Antique pewter	108	32	96	106.62.904	✘	17.00
	140	32	128	106.62.905	✘	21.00
	172	32	160	106.62.906	✘	33.00
Antique copper plated	108	32	96	106.62.004	✘	21.00
	140	32	128	106.62.005	✘	26.00
	172	32	160	106.62.006	✘	33.00
Brushed nickel plated black	108	32	96	106.62.604	✘	22.00
	140	32	128	106.62.605	✘	27.00
	172	32	160	106.62.606	✘	35.00



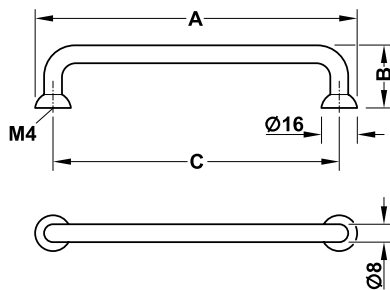
Model H1720			
Finish	Cat. No.		Price* (MYR)
Antique pewter	106.65.146	✘	71.00
Silver coloured, matt	106.65.646	✘	85.00
Rose silver coloured	106.65.746	✘	82.00
Anthracite coloured	106.65.446	✘	82.00
Black, matt	106.65.346	✘	65.00

Stock Item Freight Item

FURNITURE HANDLE ZINC ALLOY

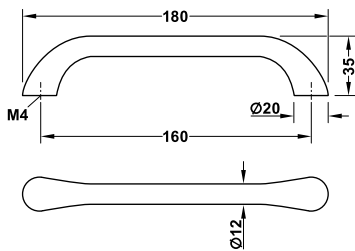


Model H1725			
Finish	Cat. No.		Price* (MYR)
Antique pewter	106.65.150	✗	38.00
Silver coloured, matt	106.65.650	✗	44.00
Rose silver coloured	106.65.750	✗	44.00
Anthracite coloured	106.65.450	✗	44.00
Black, matt	106.65.350	✗	33.00

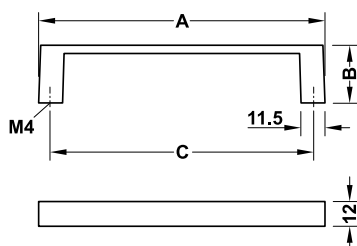


Model H1715						
Finish	Dim. A	Dim. B	Dim. C	Cat. No.		Price* (MYR)
Polished	144	28	128	106.62.215	✗	19.00
chrome plated	176	28	160	106.62.216	✗	23.00
Antique pewter	144	28	128	106.62.915	✗	18.00
	176	28	160	106.62.916	✗	23.00
Polished	144	28	128	106.62.015	✗	19.00
copper plated	176	28	160	106.62.016	✗	24.00
Polished nickel	144	28	128	106.62.315	✗	15.00
plated black	176	28	160	106.62.316	✗	24.00
White, matt	144	28	128	106.62.715	✗	17.00
	176	28	160	106.62.716	✗	20.00
Black, matt	144	28	128	106.62.115	✗	17.00
	176	28	160	106.62.116	✗	20.00

FURNITURE HANDLE
ZINC ALLOY



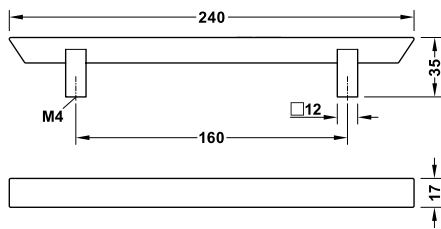
Model H1730			
Finish	Cat. No.		Price* (MYR)
Polished chrome plated	106.65.266	✘	109.00
Brushed nickel plated	106.65.066	✘	103.00
Champagne coloured, matt	106.65.566	✘	101.00
Rose gold coloured	106.65.866	✘	104.00
Anthracite coloured	106.65.466	✘	101.00
Black, matt	106.65.366	✘	84.00



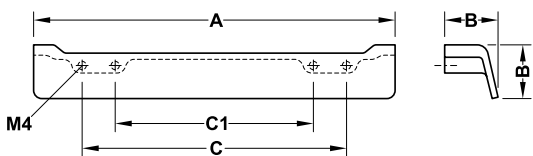
Model H1735						
Finish	Dim. A	Dim. B	Dim. C	Cat. No.		Price* (MYR)
Polished chrome plated	139	28	128	106.62.225	✘	23.00
	171	28	160	106.62.226	✘	24.00
Brushed nickel plated	139	28	128	106.62.625	✘	22.00
	171	28	160	106.62.626	✘	25.00
Antique brass plated	139	28	128	106.62.525	✘	21.00
	171	28	160	106.62.526	✘	23.00
Brushed black, used look	139	28	128	106.62.425	✘	19.00
	171	28	160	106.62.426	✘	22.00

Stock Item Freight Item

FURNITURE HANDLE
ZINC ALLOY



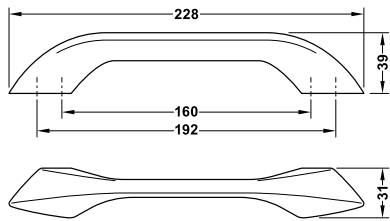
Model H1740			
Finish	Cat. No.		Price* (MYR)
Brushed nickel plated	106.62.636	✘	58.00
White, matt	106.62.736	✘	54.00
Brushed nickel plated black	106.62.336	✘	59.00



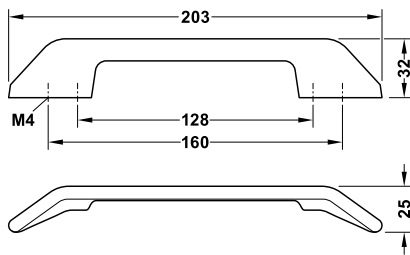
Model H1745						
Finish	Dim. A	Dim. B	Dim. C	Dim. C 1	Cat. No.	Price* (MYR)
Polished chrome plated	111	26	-	64	106.62.243	✘ 23.00
	175	26	128	96	106.62.244	✘ 39.00
Matt nickel plated	111	26	-	64	106.62.643	✘ 24.00
	175	26	128	96	106.62.644	✘ 41.00
Polished nickel plated black	111	26	-	64	106.62.343	✘ 23.00
	175	26	128	96	106.62.344	✘ 39.00

We reserve the right to alter specifications without notice.

FURNITURE HANDLE
ZINC ALLOY



Model H1750			
Finish	Cat. No.		Price* (MYR)
Polished chrome plated	106.62.256	✘	58.00
Brushed nickel plated	106.62.656	✘	62.00



Model H1755			
Finish	Cat. No.		Price* (MYR)
Polished chrome plated	106.62.265	✘	40.00
Brushed nickel plated	106.62.665	✘	42.00
Polished nickel plated black	106.62.365	✘	40.00
Brushed nickel plated black	106.62.165	✘	43.00

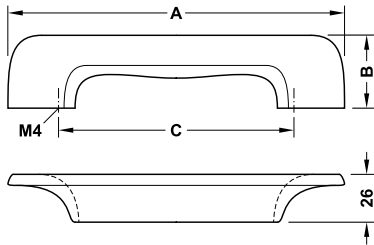
Stock Item Freight Item



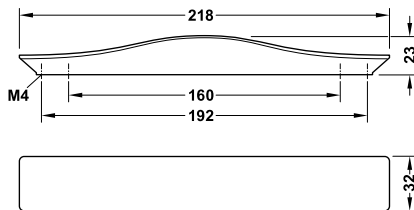
FURNITURE HANDLE ZINC ALLOY



> The handles 106.62.475 and 106.62.476 have been specially treated to look used. This makes every handle unique.

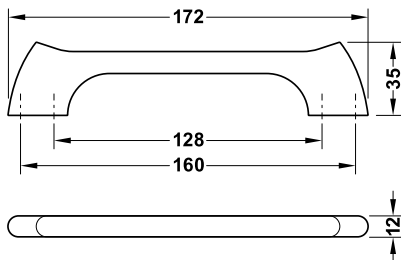


Model H1760						
Finish	Dim. A	Dim. B	Dim. C	Cat. No.		Price* (MYR)
White, matt	183	48	128	106.62.775	✘	57.00
	215	48	160	106.62.776	✘	69.00
Black, matt	183	48	128	106.62.175	✘	57.00
	215	48	160	106.62.176	✘	69.00
Iron coloured, used look	183	48	128	106.62.475	✘	58.00
	215	48	160	106.62.476	✘	71.00

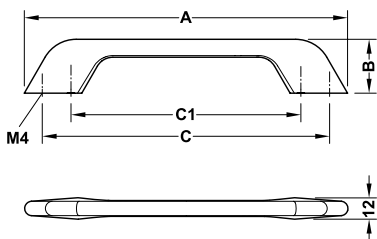


Model H1765			
Finish	Cat. No.		Price* (MYR)
Polished chrome plated	106.62.286	✘	51.00
Polished nickel plated black	106.62.386	✘	52.00

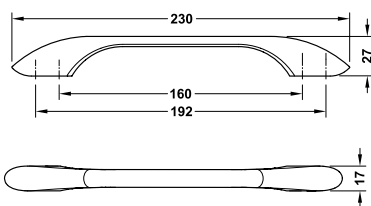
FURNITURE HANDLE
ZINC ALLOY



Model H1770			
Finish	Cat. No.		Price* (MYR)
Polished chrome plated	106.62.295	✘	30.00
Matt nickel plated	106.62.695	✘	33.00
Black, matt	106.62.195	✘	30.00



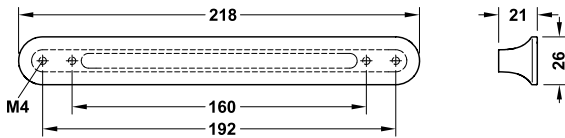
Model H1510						
Finish	Dim. A	Dim. B	Dim. C	Dim. C1	Cat. No.	Price* (MYR)
Polished chrome plated	212	30	160	192	106.61.214	✘ 33.00
	340	30	288	320	106.61.217	✘ 46.00
Brushed nickel plated	212	30	160	192	106.61.014	🏠 43.00
	340	30	288	320	106.61.017	✘ 52.00



Model H1515		
Finish	Cat. No.	Price* (MYR)
Polished chrome plated	106.61.204	✘ 49.00
Brushed nickel plated	106.61.004	✘ 45.00
Polished nickel plated, black	106.61.304	✘ 42.00

🏠 Stock Item ✘ Freight Item

FURNITURE HANDLE ZINC ALLOY



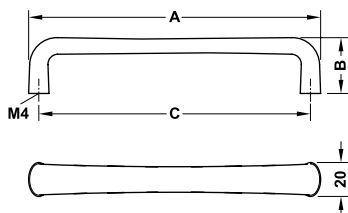
Model H1520

Finish	Cat. No.		Price* (MYR)
White, matt lacquered	106.61.764	✘	110.00
Titanium coloured, lacquered	106.61.964	✘	109.00
Lead coloured	106.61.464	✘	121.00
Antique copper plated	106.61.164	✘	121.00

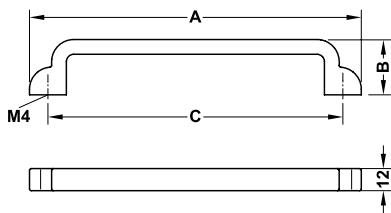


Model H1525

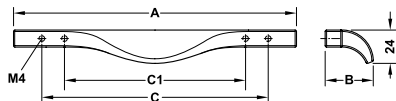
Finish	Dim. A	Dim. B	Dim. C	Cat. No.		Price* (MYR)
Polished	172	33	160	106.61.254	✘	99.00
chrome plated	332	33	320	106.61.259	✘	182.0
Brushed nickel	172	33	160	106.61.054	✘	82.00
plated	332	33	320	106.61.059	✘	160.00
Polished nickel	172	33	160	106.61.354	✘	111.00
plated black	332	33	320	106.61.359	✘	220.00
Brushed nickel	172	33	160	106.61.554	✘	110.00
plated black	332	33	320	106.61.559	✘	203.00
Matt bronze	172	33	160	106.61.154	✘	96.00
	332	33	320	106.61.159	✘	169.00
Antique pewter,	172	33	160	106.61.954	✘	76.00
used look	332	33	320	106.61.959	✘	152.00
Antique copper	172	33	160	106.61.454	✘	99.00
plated, used look	332	33	320	106.61.459	✘	189.00
Rose silver	172	33	160	106.63.716	✘	82.00
coloured	332	33	320	106.63.719	✘	158.00
Rose gold	172	33	160	106.63.816	✘	82.00
coloured	332	33	320	106.63.819	✘	158.00



FURNITURE HANDLE
ZINC ALLOY



Model H1530						
Finish	Dim. A	Dim. B	Dim. C	Cat. No.		Price* (MYR)
Antique brass plated, used look	148	30	128	106.61.143	✘	29.00
	180	30	160	106.61.144	✘	35.00
Oil rubbed bronze, used look	148	30	128	106.61.043	✘	28.00
	180	30	160	106.61.044	✘	29.00
Antique pewter, used look	148	30	128	106.61.943	✘	24.00
	180	30	160	106.61.944	✘	30.00



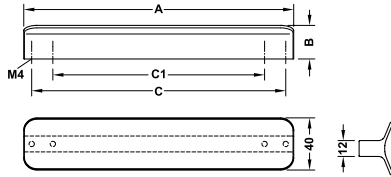
Model H1545						
Finish	Dim. A	Dim. B	Dim. C	Dim. C1	Cat. No.	Price* (MYR)
Stainless steel coloured	200	34	128	160	106.60.023	✘ 105.00
	350	34	256	320	106.60.027	✘ 173.00



Model H1540						
Finish	Dim. A	Dim. B	Dim. C	Cat. No.		Price* (MYR)
Silver coloured anodized	69	25	32	106.60.941	✘	60.00
	197	25	160	106.60.944	✘	77.00
Stainless steel coloured	69	25	32	106.60.041	✘	61.00
	197	25	160	106.60.044	✘	78.00

Stock Item Freight Item

FURNITURE HANDLE ZINC ALLOY



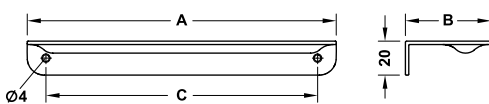
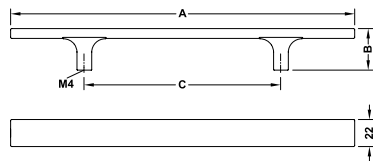
Model H1550

Finish	Dim. A	Dim. B	Dim. C	Dim. C1	Cat. No.	Price* (MYR)
Nickel plated	44	25	32	-	106.61.071	✘ 19.00
brushed	204	25	192	160	106.61.074	✘ 60.00



Model H1555

Finish	Dim. A	Dim. B	Dim. C	Cat. No.	Price* (MYR)
Polished chrome plated	312	34	192	106.60.205	✘ 155.00
	440	34	320	106.60.208	✘ 202.00
Stainless steel coloured	312	34	192	106.60.005	✘ 117.00
	440	34	320	106.60.008	✘ 154.00
	568	34	448	106.60.009	✘ 184.00



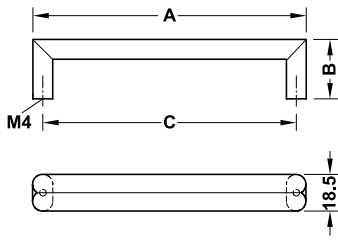
Model H1535

Finish	Dim. A	Dim. B	Dim. C	Cat. No.	Price* (MYR)
Silver coloured anodized	150	50	128	106.60.933	✘ 62.00
	182	50	160	106.60.934	✘ 66.00
	214	50	192	106.60.936	✘ 70.00
Stainless steel coloured	150	50	128	106.60.033	✘ 61.00
	182	50	160	106.60.034	✘ 67.00
	214	50	192	106.60.036	✘ 76.00

We reserve the right to alter specifications without notice.

Stock Item Freight Item

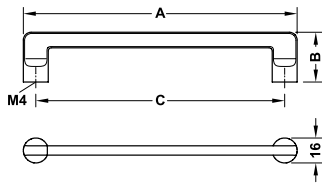
FURNITURE HANDLE
ZINC ALLOY



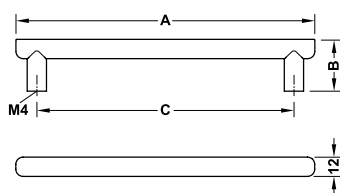
Model H1570						
Finish	Dim. A	Dim. B	Dim. C	Cat. No.		Price* (MYR)
Antique pewter, used look	138	30	128	106.61.933	✘	35.00
	170	30	160	106.61.934	✘	42.00
Antique copper plated, used look	138	30	128	106.61.033	✘	35.00
	170	30	160	106.61.034	✘	45.00



Model H1565						
Finish	Dim. A	Dim. B	Dim. C	Cat. No.		Price* (MYR)
Polished chrome plated	144	32	128	106.61.223	✘	21.00
	176	32	160	106.61.224	✘	24.00
Brushed nickel plated, black, used look	144	32	128	106.61.323	✘	24.00
	176	32	160	106.61.324	✘	28.00
Oil rubbed bronze, used look	144	32	128	106.61.123	✘	23.00
	176	32	160	106.61.124	✘	26.00



Model H1560						
Finish	Dim. A	Dim. B	Dim. C	Cat. No.		Price* (MYR)
Polished chrome plated	186	31	160	106.60.214	✘	86.00
	218	31	192	106.60.216	✘	94.00
	346	31	320	106.60.218	✘	118.00
Stainless steel coloured	186	31	160	106.60.014	✘	63.00
	218	31	192	106.60.016	✘	69.00
	346	31	320	106.60.018	✘	81.00
Champagne coloured	186	31	160	106.60.614	✘	64.00
	218	31	192	106.60.616	✘	68.00
	346	31	320	106.60.618	✘	83.00

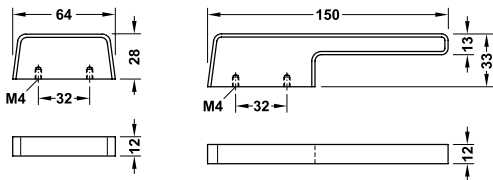


Stock Item Freight Item

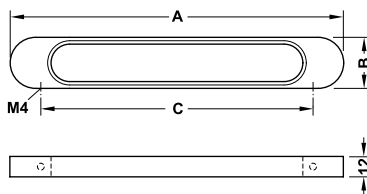
FURNITURE HANDLE ZINC ALLOY



> Material: Handle: Zinc alloy, inset: Artificial leather

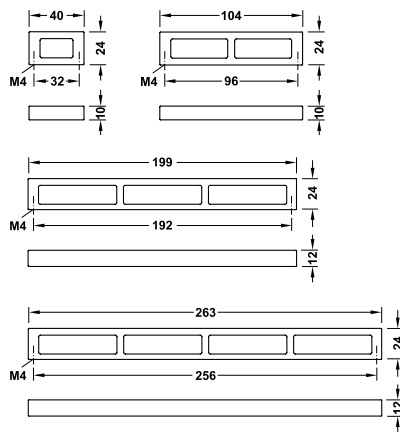


Model H1575				
Finish	Dim. mm	Cat. No.		Price* (MYR)
Handle: Titanium colour lacquered,	64	103.83.061	✈	241.00
inset: Black/crocodile leather effect	150	103.83.051	✈	299.00
Handle: White, lacquered,	64	103.83.761	✈	241.00
inset: Cognac coloured	150	103.83.751	✈	299.00

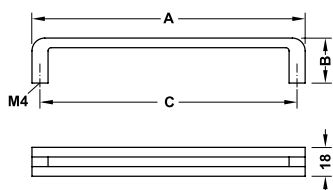


Model H1315					
Finish	Dim. A	Dim. B	Dim. C	Cat. No.	Price* (MYR)
Polished chrome plated	196	30	160	110.34.216	✈ 38.00
	228	30	192	110.34.217	✈ 44.00
Brushed nickel plated	196	30	160	110.34.616	✈ 38.00
	228	30	192	110.34.617	✈ 43.00
Polished nickel plated black	196	30	160	110.34.346	✈ 33.00
	228	30	192	110.34.347	✈ 39.00

FURNITURE HANDLE
ZINC ALLOY



Model H1320						
Finish	Dim. A	Dim. B	Dim. C	Cat. No.		Price* (MYR)
Polished chrome plated	40	24	32	110.34.271	✘	24.00
	104	24	96	110.34.274	✘	41.00
	199	24	192	110.34.277	✘	75.00
	263	24	256	110.34.279	✘	92.00
Nickel plated, brushed	40	24	32	110.34.671	✘	24.00
	104	24	96	110.34.674	✘	41.00
	199	24	192	110.34.677	✘	75.00
	263	24	256	110.34.679	✘	92.00
Titanium colour lacquered	40	24	32	110.34.071	✘	38.00
	104	24	96	110.34.074	✘	52.00
	199	24	192	110.34.077	✘	76.00
	263	24	256	110.34.079	✘	97.00

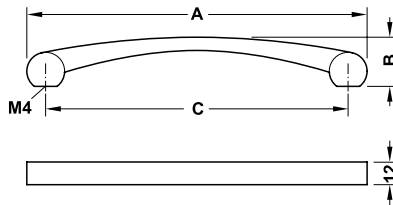
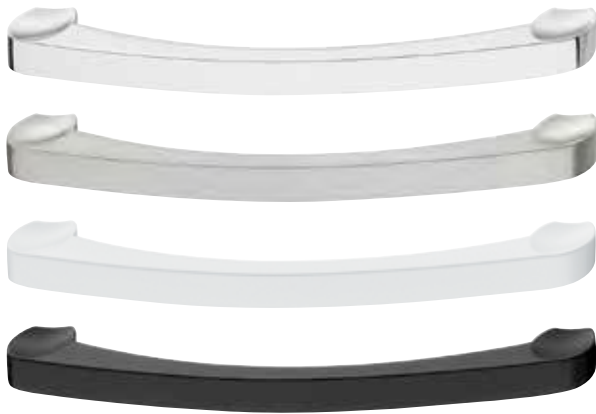


Model H1310						
Finish	Dim. A	Dim. B	Dim. C	Cat. No.		Price* (MYR)
Polished chrome plated	170	28	160	110.34.206	✘	29.00
	202	28	192	110.34.207	✘	33.00
Brushed nickel plated	170	28	160	110.34.606	✘	28.00
	202	28	192	110.34.607	✘	33.00
White, RAL 9016, matt lacquered	170	28	160	110.34.706	✘	24.00
	202	28	192	110.34.707	✘	27.00
Black, RAL 9017, matt lacquered	170	28	160	110.34.306	✘	23.00
	202	28	192	110.34.307	✘	27.00

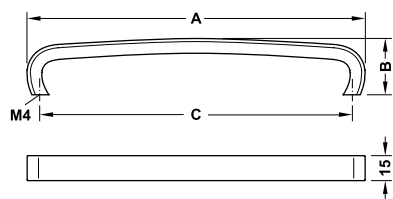
Stock Item Freight Item



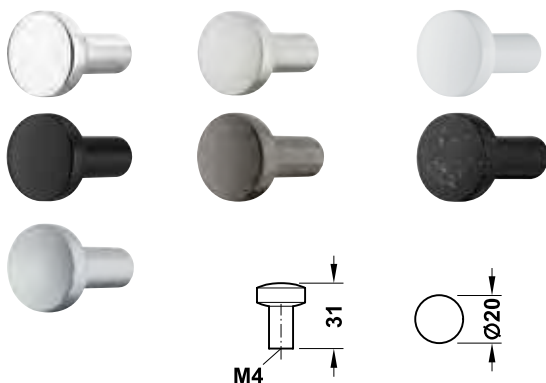
FURNITURE HANDLE ZINC ALLOY



Model H1325						
Finish	Dim. A	Dim. B	Dim. C	Cat. No.		Price* (MYR)
Polished chrome	180	28	160	110.34.286	✘	33.00
plated	211	28	192	110.34.287	✘	39.00
Brushed nickel	180	28	160	110.34.686	✘	33.00
plated	211	28	192	110.34.687	✘	37.00
White, RAL 9016,	180	28	160	110.34.786	✘	27.00
matt lacquered	211	28	192	110.34.787	✘	32.00
Black, RAL 9017,	180	28	160	110.34.386	✘	28.00
matt lacquered	211	28	192	110.34.387	✘	32.00



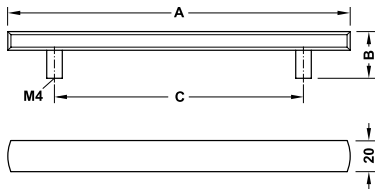
Model H1330						
Finish	Dim. A	Dim. B	Dim. C	Cat. No.		Price* (MYR)
Polished chrome	172	34	160	106.69.276	✘	43.00
plated	204	34	192	106.69.277	✘	50.00
Brushed nickel	172	34	160	106.69.676	✘	50.00
plated	204	34	192	106.69.677	✘	62.00



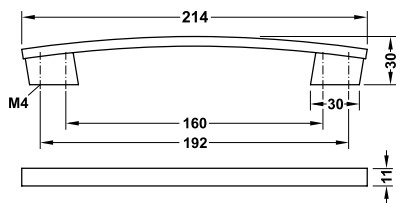
Model H1340			
Finish	Cat. No.		Price* (MYR)
Polished chrome plated	110.35.271	✘	9.00
Brushed nickel plated	110.35.671	✘	9.00
White, RAL 9016, matt, lacquered	110.35.771	✘	6.00
White aluminium, lacquered	110.35.640	✘	6.00
Black, RAL 9017, matt, lacquered	110.35.371	✘	6.00
Polished nickel plated black	110.35.340	✘	7.00
Iron coloured, used look	110.35.040	✘	7.00

We reserve the right to alter specifications without notice.

FURNITURE HANDLE
ZINC ALLOY



Model H1335						
Finish	Dim. A	Dim. B	Dim. C	Cat. No.		Price* (MYR)
Polished chrome plated	219	32	160	110.35.276	✘	59.00
	379	32	320	110.35.279	✘	78.00
Brushed nickel plated	219	32	160	110.35.676	✘	59.00
	379	32	320	110.35.679	✘	102.00
White, RAL 9016, matt lacquered	219	32	160	110.35.776	✘	52.00
	379	32	320	110.35.779	✘	92.00
Black, RAL 9017, matt lacquered	219	32	160	110.35.376	✘	51.00
	379	32	320	110.35.379	✘	92.00

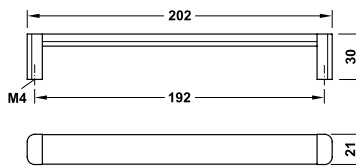


Model H1345			
Finish	Cat. No.		Price* (MYR)
Polished chrome plated	110.34.227	✘	34.00
Brushed nickel plated	110.34.627	✘	34.00
White, RAL 9016, matt, lacquered	110.34.328	✘	28.00
Black, RAL 9017, matt, lacquered	110.34.327	✘	28.00

Stock Item Freight Item

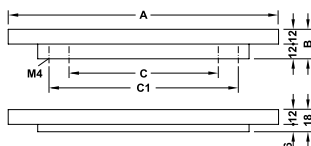
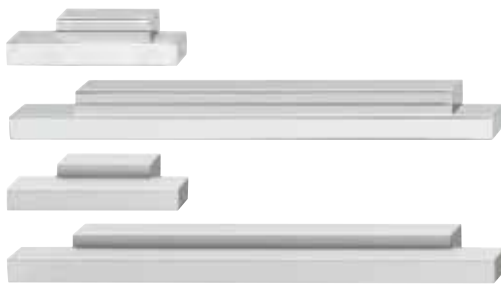


FURNITURE HANDLE ZINC ALLOY



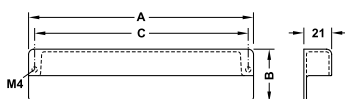
Model H1365

Finish	Cat. No.		Price* (MYR)
Handle: White, RAL 9016, base: Polished chrome plated	106.69.217	✘	85.00
Handle: White, RAL 9016, base: Brushed nickel plated	106.69.617	✔	99.00
Handle: Black, RAL 9017, base: Polished chrome plated	106.69.227	✘	85.00
Handle: Black, RAL 9017, base: Brushed nickel plated	106.69.627	✔	102.00



Model H1355

Finish	Dim. A	Dim. B	Dim. C1	Dim. C	Cat. No.		Price* (MYR)
Polished chrome plated	80	24	32	-	110.35.281	✘	58.00
	220	24	128	160	110.35.286	✘	86.00
Stainless steel coloured	80	24	32	-	110.35.681	✘	51.00
	220	24	128	160	110.35.686	✘	78.00

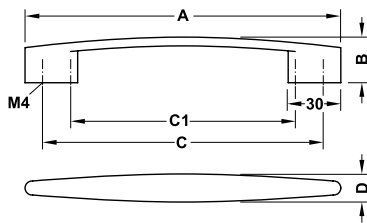


Model H1360

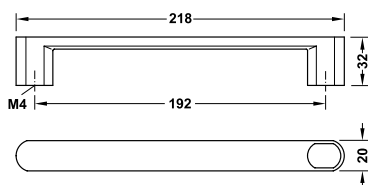
Finish	Dim. A	Dim. B	Dim. C	Cat. No.		Price* (MYR)
Polished chrome plated	42	40	32	110.34.291	✘	20.00
	106	40	96	110.34.294	✘	25.00
	170	40	160	110.34.296	✘	39.00
Brushed nickel plated	42	40	32	110.34.691	✘	20.00
	106	40	96	110.34.694	✘	33.00
	170	40	160	110.34.696	✘	53.00
Iron coloured, used look	42	40	32	110.34.091	✘	17.00
	106	40	96	110.34.094	✘	31.00
	170	40	160	110.34.096	✘	48.00

✔ Stock Item ✘ Freight Item

FURNITURE HANDLE
ZINC ALLOY



Model H1350								
Finish	Dim. A	Dim. B	Dim. C1	Dim. C	Dim. D	Cat. No.		Price* (MYR)
Polished	180	26.5	128	160	16	110.34.236	✘	25.00
chrome plated	244	26	192	224	17.5	110.34.238	✘	30.00
Brushed nickel plated	180	26.5	128	160	16	110.34.636	✘	25.00
	244	26	192	224	17.5	110.34.638	✘	30.00
White, RAL 9016, matt, lacquered	180	26.5	128	160	16	110.34.337	✘	23.00
	244	26	192	224	17.5	110.34.339	✘	26.00
Black, RAL 9017, matt, lacquered	180	26.5	128	160	16	110.34.336	✘	22.00
	244	26	192	224	17.5	110.34.338	✘	25.00



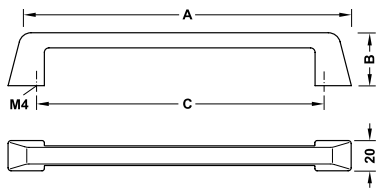
Model H1370			
Finish		Cat. No.	Price* (MYR)
Handle: Polished chrome plated, inset: White		106.69.257	✘ 90.00
Handle: Polished chrome plated, inset: Black		106.69.247	✘ 90.00
Brushed nickel plated, inset: White	•	106.69.657	✘ 99.00
Brushed nickel plated, inset: Black	•	106.69.647	✘ 99.00

• Discontinued

Stock Item Freight Item

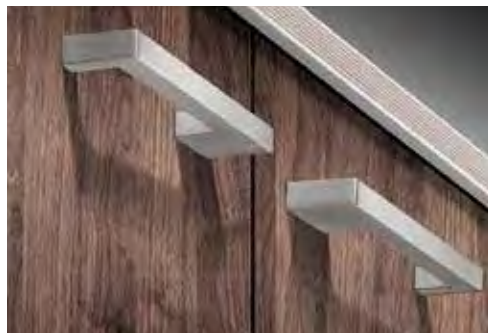
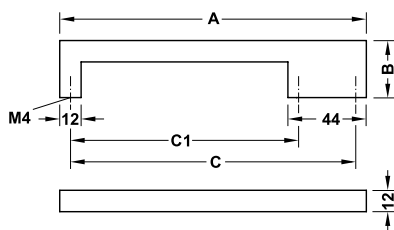


FURNITURE HANDLE ZINC ALLOY



Model H1375

Finish	Dim. A	Dim. B	Dim. C	Cat. No.	Price* (MYR)
Polished chrome	227	35	192	106.69.267	✖ 85.00
plated	355	35	320	106.69.268	✖ 117.00
Brushed nickel	227	35	192	106.69.667	✖ 76.00
plated	355	35	320	106.69.668	✖ 105.00



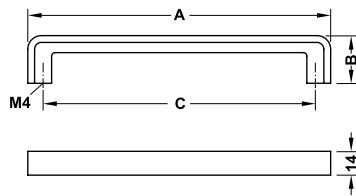
Model H1380

Finish	Dim. A	Dim. B	Dim. C1	Dim. C	Cat. No.	Price* (MYR)
Polished chrome	172	32	128	160	110.34.255	✖ 42.00
plated	203	32	160	192	110.34.257	✖ 49.00
Brushed nickel	172	32	128	160	110.34.655	✖ 43.00
plated	203	32	160	192	110.34.657	✖ 49.00
White, RAL 9016, matt lacquered	172	32	128	160	110.34.356	✖ 37.00
	203	32	160	192	110.34.358	✖ 42.00
White aluminium, lacquered	172	32	128	160	110.35.620	✖ 31.00
Black, RAL 9017, matt lacquered	172	32	128	160	110.34.355	✖ 36.00
	203	32	160	192	110.34.357	✖ 42.00
Iron coloured, used lock	172	32	128	160	110.35.020	✖ 33.00

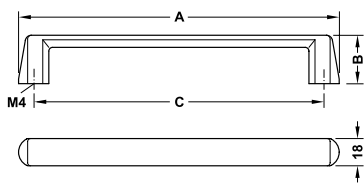
We reserve the right to alter specifications without notice.

 Stock Item  Freight Item

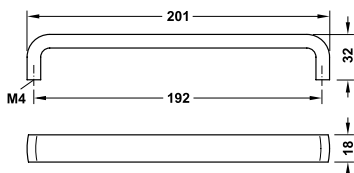
FURNITURE HANDLE
ZINC ALLOY



Model H1385						
Finish	Dim. A	Dim. B	Dim. C	Cat. No.		Price* (MYR)
Polished chrome plated	146	28	128	110.34.265	✖	26.00
	178	28	160	110.34.266	✖	31.00
	210	28	192	110.34.267	✖	36.00
Brushed nickel plated	146	28	128	110.34.665	✖	26.00
	178	28	160	110.34.666	✖	31.00
	210	28	192	110.34.667	✖	36.00



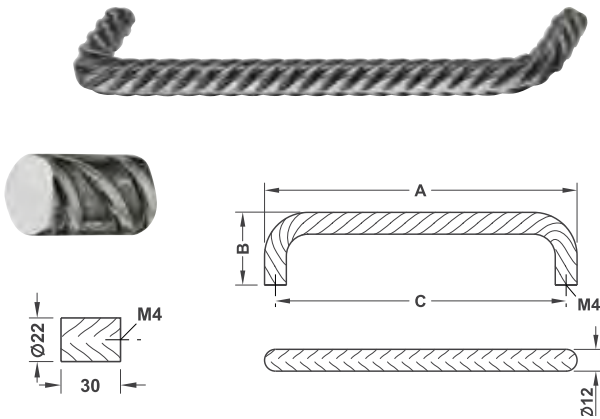
Model H1390						
Finish	Dim. A	Dim. B	Dim. C	Cat. No.		Price* (MYR)
Polished chrome plated	148	32	128	106.69.205	✖	63.00
	212	32	192	106.69.207	✖	82.00
Brushed nickel plated	148	32	128	106.69.605	✖	67.00
	212	32	192	106.69.607	✖	74.00



Model H1395						
Finish				Cat. No.		Price* (MYR)
Polished chrome plated				106.69.237	✖	89.00
Brushed nickel plated				106.69.637	✖	86.00

Stock Item Freight Item

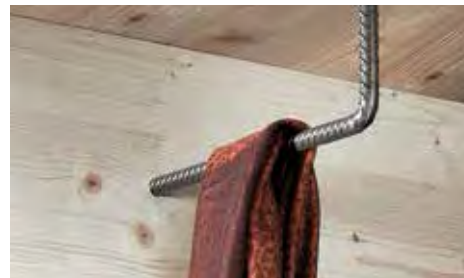
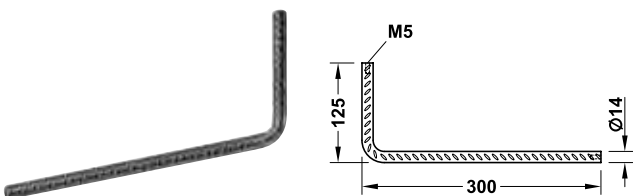
FURNITURE HANDLE



Furniture handle					
Material/ Finish	Dim. A	Dim. B	Dim. C	Cat. No.	Price* (MYR)
Construction steel/ Untreated lacquered,	140.5	40	128	117.30.315	✘ 61.00
used look	172.5	40	160	117.30.316	✘ 69.00
	204.5	40	192	117.30.317	✘ 77.00

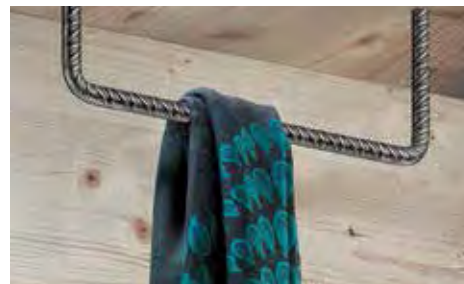
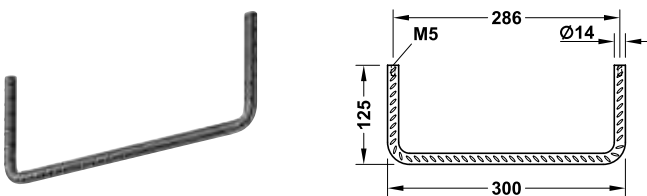
Furniture knob					
Material/ Finish	Dim. A	Dim. B	Dim. C	Cat. No.	Price* (MYR)
Construction steel/ Untreated lacquered,	140.5	40	128	117.30.300	✘ 58.00
used look					

COAT HANGER RAIL



- > Material: Construction steel
- > Finish: Untreated lacquered, used look
- > Area of application: For mounting beneath the shelf and on the rear panel

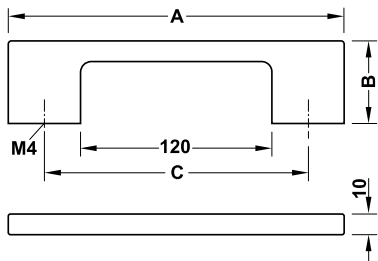
Coat hanger rail					
Length mm	Height mm	Rail Ø mm	Cat. No.	Price* (MYR)	
300	125	14	843.68.380	✘ 292.00	



- > Material: Construction steel
- > Finish: Untreated lacquered, used look
- > Area of application: For mounting beneath the shelf

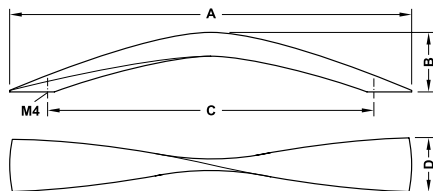
Coat hanger rail					
Length mm	Height mm	Rail Ømm	Cat. No.	Price* (MYR)	
300	125	14	843.68.390	✘ 346.00	

FURNITURE HANDLE



> Material: HPL laminate

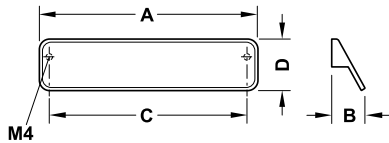
Furniture handle						
Material/ Finish	Dim. A	Dim. B	Dim. C	Cat. No.		Price* (MYR)
Top layer: Brushed aluminium, edges: Black/ silver coloured	190	40	160	194.17.913	✖	97.00
	350	40	320	194.17.908	✖	122.00
Top layer: Black, edges: Black / silver coloured	190	40	160	194.17.313	✖	70.00
	350	40	320	194.17.308	✖	119.00



> Material: Wood Unfinished

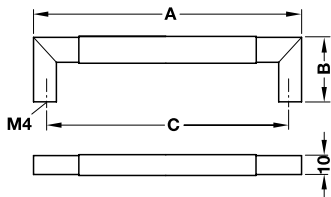
Furniture handle						
Finish	Dim. A	Dim. B	Dim. C	Dim. D	Cat. No.	Price* (MYR)
Walnut	80	32	64	34	193.19.703	✖ 77.00
	270	40	224	34	193.43.728	✖ 157.00
	388	40	320	36	193.43.729	✖ 232.00
Oak	80	32	64	34	193.19.403	✖ 69.00
	270	40	224	34	193.43.428	✖ 110.00
	388	40	320	36	193.43.429	✖ 157.00

FURNITURE HANDLE LEATHER



> Material: Handle: Zinc die-cast, Reinforcement: Leather
> Finish: Nickel polished Reinforcement: dark brown

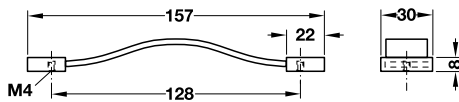
Furniture handle			
Dim. A x B x C x D (mm)	Cat. No.		Price* (MYR)
170 x 30 x 160 x 17	103.83.713	✖	154.00



> Material: Handle: Zinc die-cast, Reinforcement: Leather
> Finish: Nickel polished Reinforcement: dark brown

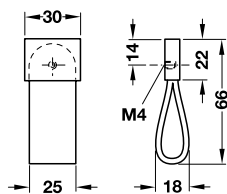
Furniture handle			
Dim. A x B x C x D (mm)	Cat. No.		Price* (MYR)
140 x 34 x 128	111.71.412	✖	245.00
172 x 34 x 160	• 111.71.413	✖	292.00

• Discontinued



> Material: Handle: Leather, Base: Zinc alloy

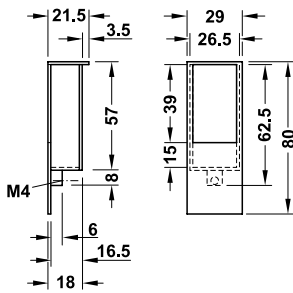
Furniture handle			
Finish	Cat. No.		Price* (MYR)
Handle: Dark brown Base: Stainless steel coloured	110.79.012	✖	132.00



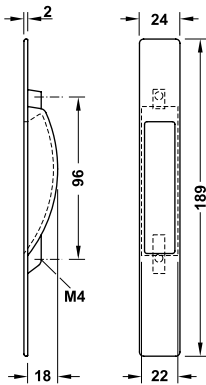
> Material: Handle: Leather, Base: Zinc alloy

Furniture handle			
Finish	Cat. No.		Price* (MYR)
Handle: Dark brown Base: Stainless steel coloured	110.76.011	✖	106.00

INSET HANDLE

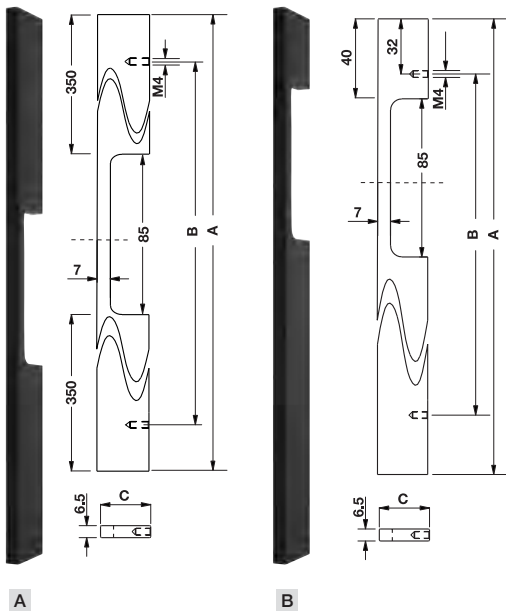


Furniture handle			
Finish	Cat. No.		Price* (MYR)
Polished chrome plated	152.13.200	✈	131.00
Aluminium coloured	152.13.900	✈	61.00



Furniture handle			
Finish	Cat. No.		Price* (MYR)
Polished chrome plated	152.08.204	✈	100.00

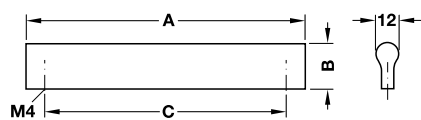
FURNITURE HANDLE



- > Material: Aluminium
- > Finish: Black matt

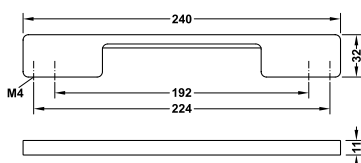
	Dim. A mm	Dim. B mm	Dim. C mm	Cat. No.	Price* (MYR)
A	800	640	27	107.24.081	82.00
B	800	736	27	107.24.082	86.00

Packing: 1 piece



Aluminium furniture handle						
Finish	Dim. A	Dim. B	Dim. C	Cat. No.		Price* (MYR)
Silver coloured	52	24	32	109.49.902		9.00
anodized	84	24	64	•109.49.903		10.00
	116	24	96	•109.49.907		12.00
	148	24	128	109.49.904		19.00
	180	24	160	109.49.910		23.00
	212	24	192	109.49.906		25.00
	244	24	224	109.49.909		30.00
	308	24	288	•109.49.911		37.00
	372	24	352	109.49.914		53.00

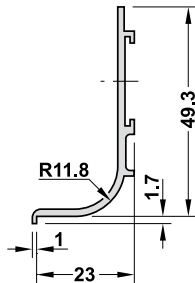
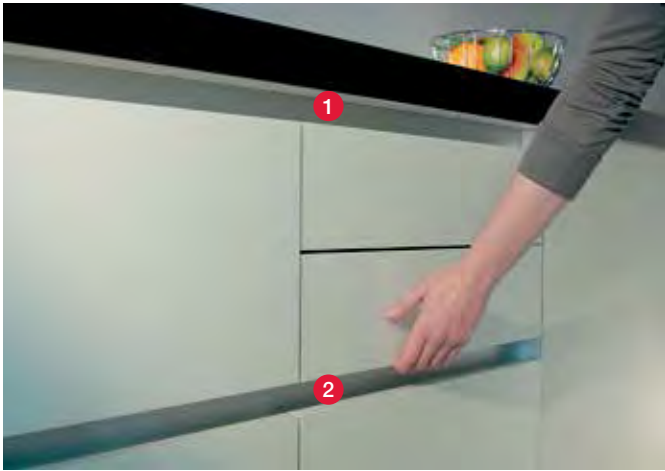
• Discontinued



Furniture handle			
Colour	Material	Cat. No.	Price* (MYR)
Anthracite	Durocarbon	113.10.348	61.00

Stock Item Freight Item

1 HANDLE PROFILE ALUMINIUM



> Area of application: For front panels without handles, for mounting between worktop and front panel beneath
 > Length: 5000mm, effective length: 4950mm

Recessed grip profile			
Finish	Cat. No.		Price* (MYR)
Silver coloured anodized (E6/EV1)	126.37.905	✘	422.00
Stainless steel coloured anodized (E6)	126.37.006	✘	422.00
White, RAL 9010, powdered	126.37.705	✘	346.00
Black, RAL 9005, powdered	126.37.305	✘	346.00

Accessories



Accessories External corner			
Material	Finish	Cat. No.	Price* (MYR)
Plastic	Silver coloured	126.37.985	✘ 19.00
	Stainless steel coloured	126.37.075	✘ 19.00
	White, RAL 9010	126.37.775	✘ 19.00
	Black, RAL 9005	126.37.375	✘ 19.00

Accessories Internal corner			
Material	Finish	Cat. No.	Price* (MYR)
Plastic	Silver coloured	126.37.980	✘ 19.00
	Stainless steel coloured	126.37.074	✘ 19.00
	White, RAL 9010	126.37.774	✘ 19.00
	Black, RAL 9005	126.37.374	✘ 19.00

Stock Item Freight Item

Accessories



Accessories End cap					
Material	Finish	Mounting	Cat. No.		Price* (MYR)
Plastic	Silver coloured	Right	126.37.997	✘	9.00
		Left	126.37.998	✘	9.00
	Stainless steel coloured	Right	126.37.097	✘	15.00
		Left	126.37.098	✘	15.00
	White, RAL 9010	Right	126.37.977	✘	7.00
		Left	126.37.978	✘	7.00
	Black, RAL 9005	Right	126.37.937	✘	7.00
		Left	126.37.938	✘	7.00



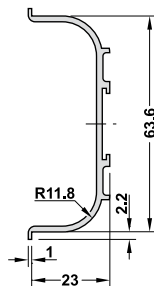
Mounting bracket 90			
Material		Cat. No.	Price* (MYR)
Stainless steel		126.37.990	🏠 9.00

2 HANDLE PROFILE ALUMINIUM



- > Area of application: For front panels without handles, for mounting between the front panels
- > Length: 5000mm, effective length: 4950mm

Recessed grip profile			
Finish		Cat. No.	Price* (MYR)
Silver coloured anodized (E6/EV1)		126.36.905	✘ 556.00
Stainless steel coloured anodized (E6)		126.36.006	✘ 556.00
White, RAL 9010, powdered		126.36.705	✘ 466.00
Black, RAL 9005, powdered		126.36.305	✘ 466.00



Accessories



External corner				
Material	Finish	Cat. No.		Price* (MYR)
Plastic	Silver coloured	126.37.986	✘	14.00
	Stainless steel coloured	126.37.071	✘	14.00
	White, RAL 9010	126.37.771	✘	14.00
	Black, RAL 9005	126.37.371	✘	14.00



Internal corner				
Material	Finish	Cat. No.		Price* (MYR)
Plastic	Silver coloured	126.37.981	✘	14.00
	Stainless steel coloured	126.37.070	✘	14.00
	White, RAL 9010	126.37.770	✘	11.00
	Black, RAL 9005	126.37.370	✘	14.00

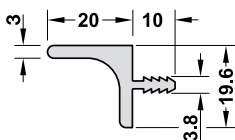


End cap				
Material	Finish	Cat. No.		Price* (MYR)
Plastic	Silver coloured	126.37.996	✘	9.00
	Stainless steel coloured	126.37.096	✘	9.00
	White, RAL 9010	126.37.976	✘	9.00
	Black, RAL 9005	126.37.936	✘	9.00



Mounting bracket 90				
Material		Cat. No.		Price* (MYR)
Stainless steel		126.37.990	🏠	9.00

3



Recessed grip profile				
Finish		Cat. No.		Price* (MYR)
Silver coloured anodized (E6/EV1)		126.53.902	✘	174.00
Stainless steel coloured anodized (E6)		126.53.003	✘	174.00
White, RAL 9010, powdered		126.53.702	✘	186.00
Black, RAL 9005, powdered		126.53.302	✘	186.00

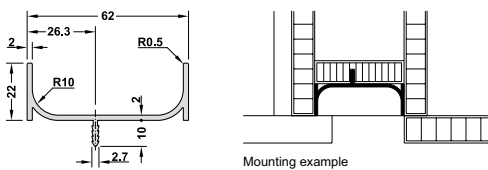
🏠 Stock Item ✘ Freight Item

HANDLE PROFILE ALUMINIUM



- > Area of application: For front panels without handles, for vertical installation in front of and between side panels of tall cabinets
- > Length: 2,500 mm
- > Effective length: 2,460 mm

Recessed grip profile, vertical			
Finish	Cat. No.		Price* (MYR)
Silver coloured anodized (E6/EV1)	126.37.912	✘	284.00
Stainless steel coloured anodized (E6)	126.37.113	✘	284.00
White, RAL 9010, powdered	126.37.712	✘	285.00
Black, RAL 9005, powdered	126.37.312	✘	285.00

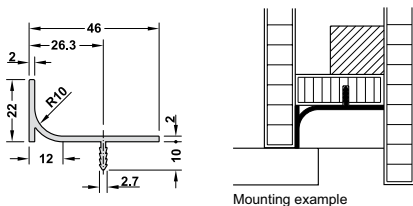


Mounting example

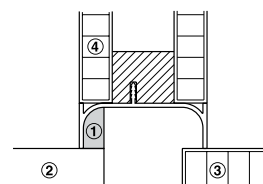


- > Area of application: For front panels without handles, for vertical installation in front of and between side panels of tall cabinets
- > Length: 2,500 mm
- > Effective length: 2,460 mm

Recessed grip profile, vertical			
Finish	Cat. No.		Price* (MYR)
Silver coloured anodized (E6/EV1)	126.37.922	✘	201.00
Stainless steel coloured anodized (E6)	126.37.123	✘	201.00
White, RAL 9010, powdered	126.37.722	✘	201.00
Black, RAL 9005, powdered	126.37.322	✘	201.00



Mounting example

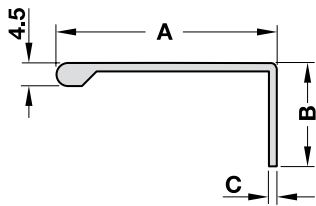


- ① End profile
- ② Electrical appliance
- ③ Front panel
- ④ Side panel

- > Area of application: For electrical appliances
- > Length 1150 mm

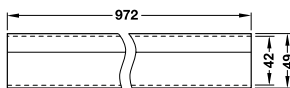
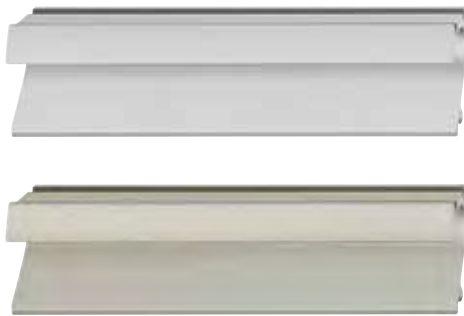
Recessed grip profile, vertical			
Finish	Cat. No.		Price* (MYR)
Silver coloured anodized (E6/EV1)	126.37.931	✘	215.00
Stainless steel coloured anodized (E6)	126.37.141	✘	215.00
White, RAL 9010, powdered	126.37.731	✘	341.00
Black, RAL 9005, powdered	126.37.331	✘	341.00

INSET HANDLE ALUMINIUM



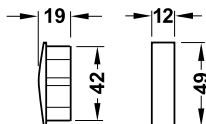
- > Area of application: Cat. No. 126.19.900 suitable for 40 mm thick sliding doors
- > Finish: Silver coloured anodized (E6/EV)
- > Length 3000 mm

Inset handle profile					
Dim. A mm	Dim. B mm	Dim. C mm	Cat. No.		Price* (MYR)
43	20	1.6	126.27.907		106.00



- > Version: Can be cut to size, without end caps

Inset handle aluminium			
Finish			Price* (MYR)
Silver coloured	151.86.930		138.00
Stainless steel coloured	151.86.030		306.00



- > Material: Zinc alloy
- > For 151.86.930 and 151.86.030

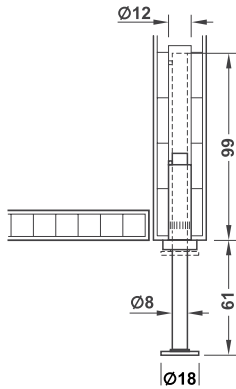
End caps			
Finish			Price* (MYR)
Aluminium coloured	151.86.989		30.00
Stainless steel coloured	151.86.089		47.00



WARDROBE HOOK

Our collection of decorative hooks are available in a broad range of materials, finishes and colours, to offer you the perfect hook to hang your dressing gown from.

WARDROBE HOOK

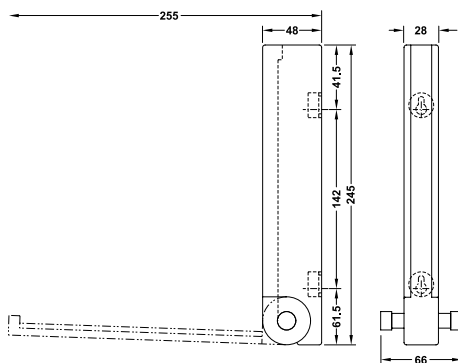


- > Version: Extending
- > Installation: For glue fixing
- > Finish: Satin brushed

Wardrobe hook			
Material	Cat. No.		Price* (MYR)
Stainless steel, quality 1.4305	842.58.080	✈	315.00



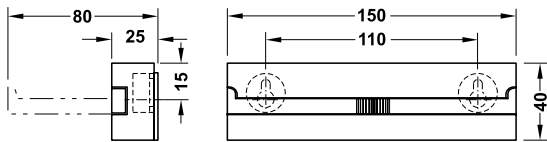
- > Version: Folding hook, projection 205 mm
- > Fixing material (chipboard screws Ø 4.0 x 40 mm and wall plugs) supplied
- > Finish: Housing: Oiled, hook: Polished



Wardrobes/hallway hook			
Material	Cat. No.		Price* (MYR)
Housing: Walnut, hook: Aluminium	844.25.032	✈	1,270.00
Housing: Oak, hook: Aluminium	844.25.040	✈	1,270.00

Stock Item Freight Item

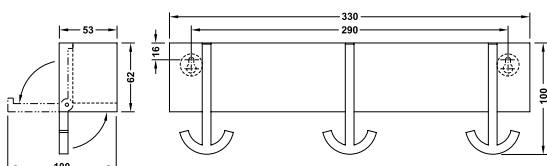
WARDROBE HOOK



- > Version: Swivelling hook
- > Fixing material (chipboard screws \varnothing 4.0 x 40 mm and wall plugs) supplied
- > Finish: Housing: Oiled, Hook: Polished chrome plated

Wardrobes/hallway hook

Material	Cat. No.	Price* (MYR)
Housing: Walnut hooks: Zinc alloy	844.26.610	✘ 427.00



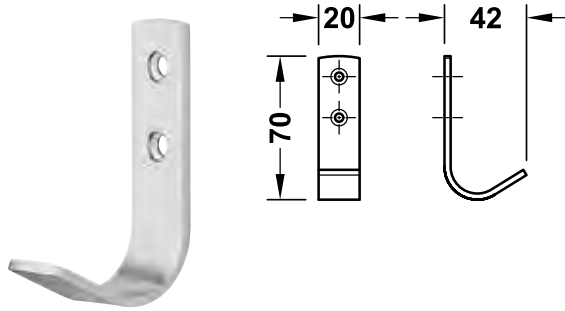
- > Version: Folding hooks, projection 47 mm
- > Fixing material (chipboard screws \varnothing 4.0 x 40 mm and wall plugs) supplied
- > Finish: Housing: Oiled, hooks: Polished chrome plated

Wardrobes/hallway hook

Material	Cat. No.	Price* (MYR)
Housing: Walnut, hooks: Zinc alloy	844.26.600	✘ 1,848.00
Housing: Oak, hooks: Aluminium	844.26.400	✘ 1,848.00

We reserve the right to alter specifications without notice.

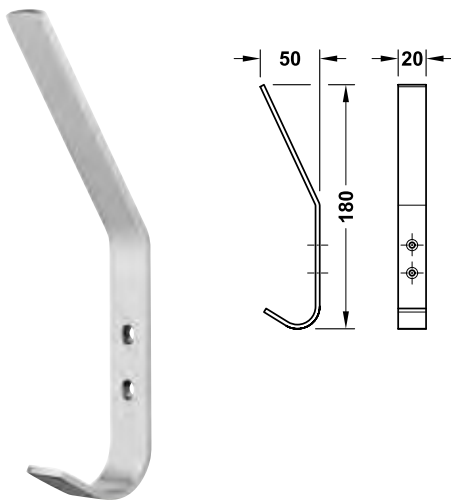
WARDROBE HOOK



- > Material: Stainless steel, quality 1.4305/AISI 303
- > Finish: Matt brushed
- > Hole centres: 20mm
- Fixing material supplied

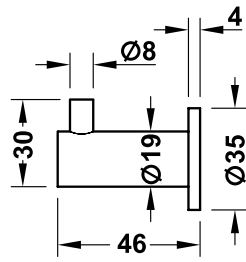
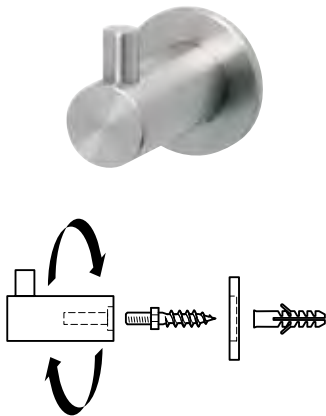
Width mm	Depth mm	Height mm		Price* (MYR)
19	25	15	842.34.060	✘ 40.00
19	35	15	842.34.030	✘ 54.00

Packing: 10 pieces



Stock Item Freight Item

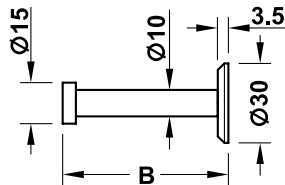
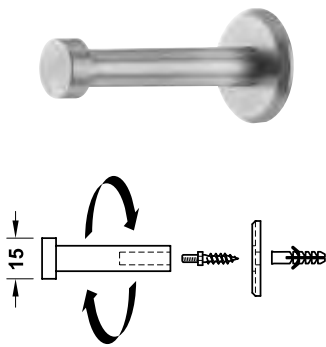
WARDROBE HOOK



- > Material: Stainless steel, quality 1.4305/AISI 303
- > Finish: Matt
- Fixing material (wood to metal dowel M6 x 36 mm and wall plug) supplied

Depth B	Hook Ø D	Rose Ø E	Cat.no.	Price* (MYR)
46	19	35	842.57.010	✘ 97.00

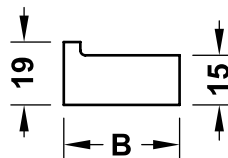
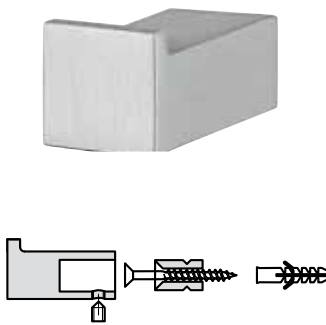
Packing: 1 or 10 pieces



- > Material: Stainless steel, quality 1.4305/AISI 303
- > Finish: Satin brushed
- Fixing material (wood to metal dowel M6 x 60 mm and wall plug) supplied

Depth B	Hook Ø D	Rose Ø E	Cat.no.	Price* (MYR)
32	10	30	844.72.030	✘ 45.00
52	10	30	844.72.031	✘ 52.00
72	10	30	844.72.032	✘ 100.00

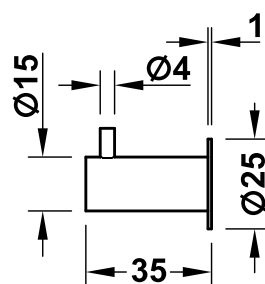
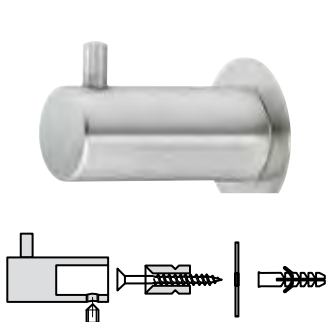
Packing: 1 or 10 pieces



- > Material: Stainless steel, quality 1.4305/AISI 303
- > Finish: Matt
- Fixing material supplied

Width mm	Depth mm	Height mm	Cat.no.	Price* (MYR)
19	25	15	844.73.001	✘ 26.00
19	35	15	844.73.002	✘ 42.00

Packing: 10 pieces

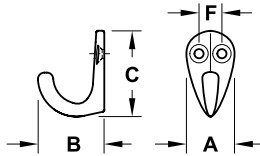


- > Material: Stainless steel, quality 1.4305/AISI 303
- > Finish: Satin brushed
- Fixing material (chipboard screw Ø 4.0 x 60 mm and wall plug) supplied

Depth B	Hook Ø D	Rose Ø E	Cat.no.	Price* (MYR)
35	15	25	855.00.015	✘ 26.00

Packing: 1 piece

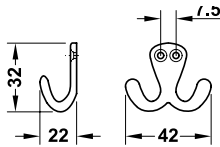
WARDROBE HOOK



> Material: Aluminium
> Finish: Polished

Width A mm	Depth B mm	Height C mm	Hole spacing F mm	Screw Ø mm	Cat.no.	Price* (MYR)
With 1 fixing hole						
12	22	30	-	3.0	845.00.809	✘ 4.00
With 2 fixing holes						
19	28	38	8	3.0	845.01.806	✘ 5.00
21	33	40	9	3.5	845.02.803	✘ 5.00

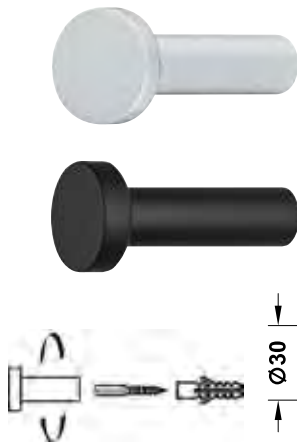
Packing: 1 or 100 pieces



> Material: Aluminium
> Finish: Polished

Width A mm	Depth B mm	Height C mm	Hole spacing F mm	Screw Ø mm	Cat.no.	Price* (MYR)
42	22	32	7.5	3.0	845.10.805	✘ 4.00
49	25	40	9.0	3.0	845.11.802	✘ 5.00
60	30	50	12.5	3.5	845.12.809	✘ 10.00

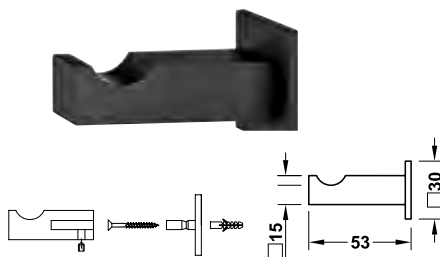
Packing: 1 or 100 pieces



> Material: Aluminium
Fixing material supplied

Finish	Depth B mm	Hook Ø D mm	Cat.no.	Price* (MYR)
Silver coloured anodized	38	16.0	844.60.001	✘ 73.00
	58	16.0	844.60.002	✘ 113.00
	83	16.0	844.60.003	✘ 82.00
Black anodized	38	16.0	844.61.012	✘ 119.00
	58	16.0	844.61.014	✘ 81.00
	83	16.0	844.61.015	✘ 90.00

Packing: 1 or 10 pieces

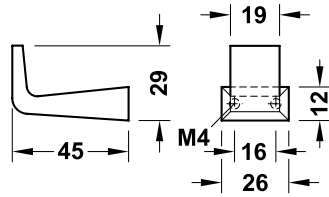


> Material: Aluminium
> Finish: Black anodized
Fixing material supplied

Cat.no.	Price* (MYR)
844.61.013	✘ 132.00

Packing: 1 or 10 pieces

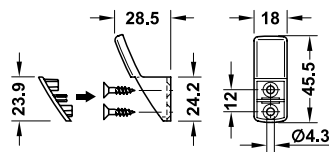
WARDROBE HOOK



> Material: Zinc alloy
> Finish: Chrome plated matt

Width mm	Depth mm	Height mm	Cat.no.	Price* (MYR)
26	45	29	844.27.410	✘ 60.00

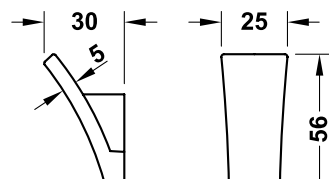
Packing: 1 or 50 pieces



> Material: Hook: Zinc alloy, cover cap: Plastic
> Finish: Polished chrome plated

Cat.no.	Price* (MYR)
845.08.210	✘ 17.00

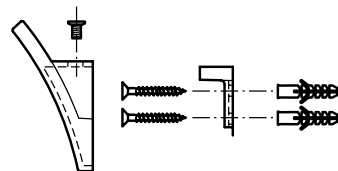
Packing: 1 or 100 pieces



> Material: Zinc alloy
> Hole spacing: 10mm
Fixing material supplied

Finish	Cat.no.	Price* (MYR)
Matt chrome plated	845.08.450	✘ 52.00
Brushed nickel plated	845.08.650	✘ 62.00

Packing: 1 or 12 pieces



Matt chrome plated

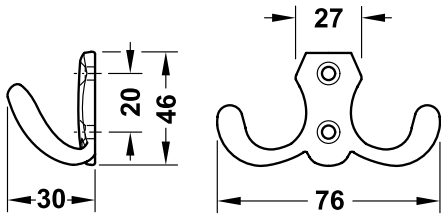
Brushed nickel plated

We reserve the right to alter specifications without notice.

WARDROBE HOOK

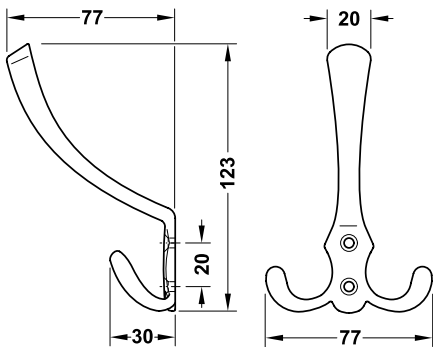


> Material: Zinc alloy
Fixing material supplied



Width A mm	Depth B mm	Height C mm	Finish	Cat.no.	Price* (MYR)
Coat hook					
76	30	46	Polished chrome plate	885.05.251	✘ 16.00
			Matt chrome plated	885.05.451	✘ 5.00
			Polished gold coloured	885.05.851	✘ 14.00
			Bronzed and brushed	885.05.151	✘ 15.00

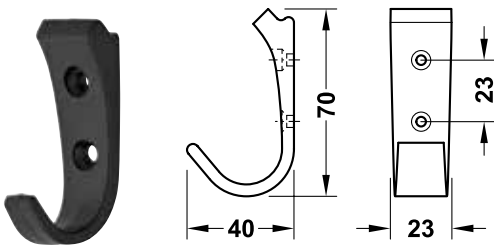
Packing: 1 or 50 pieces



Width A mm	Depth B mm	Height C mm	Finish	Cat.no.	Price* (MYR)
Hat and coat hook					
77	77	123	Polished chrome plate	885.05.201	✘ 25.00
			Matt chrome plated	885.05.401	✘ 24.00
			Polished gold coloured	885.05.801	✘ 21.00
			Bronzed and brushed	885.05.101	✘ 23.00

Packing: 1 or 10 pieces

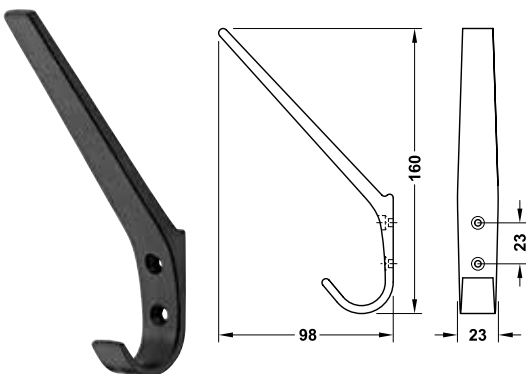
WARDROBE HOOK



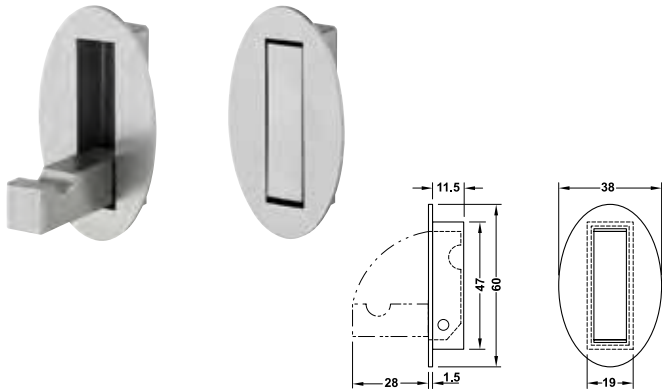
> Material: Plastic
> Colour: Black

Width A mm	Depth B mm	Height C mm	Cat.no.	Price* (MYR)
Coat hook				
23	40	70	843.18.605	✘ 6.00
Hat and coat hook				
23	98	160	843.17.608	✘ 10.00

Packing: 1 or 100 pieces



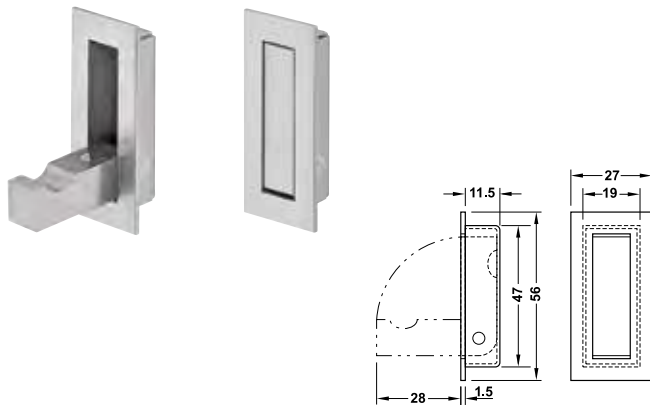
FOLDING HOOK



- > Material: Stainless steel, quality 1.4305/AISI 303
- > Finish: Matt brushed
- > Installation: Fixing without screws, for glue fixing
- > Version: With magnet for holding in closed position

Cat.no.	Price* (MYR)
844.76.001	✈ 326.00

Packing: 1 piece



- > Material: Stainless steel, quality 1.4305/AISI 303
- > Finish: Satin brushed
- > Installation: Fixing without screws, for glue fixing

Cat.no.	Price* (MYR)
844.76.010	✈ 217.00

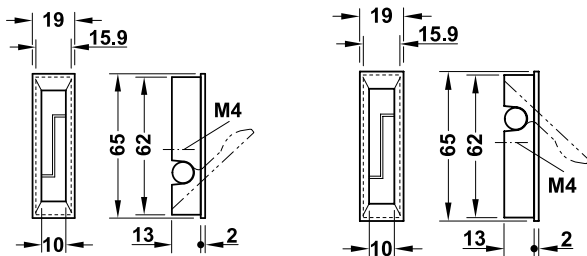
Packing: 1 piece



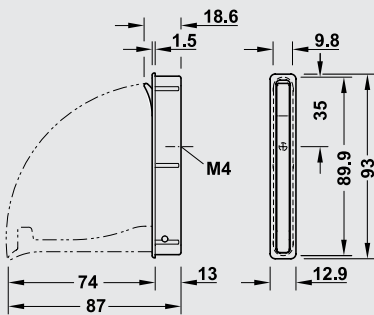
- > Material: Zinc alloy
- > Installation: M4 thread

Finish	Cat.no.	Price* (MYR)
Matt chrome plated	844.33.400	✈ 71.00
Matt nickel plated	844.33.600	✈ 98.00

Packing: 1 or 10 pieces



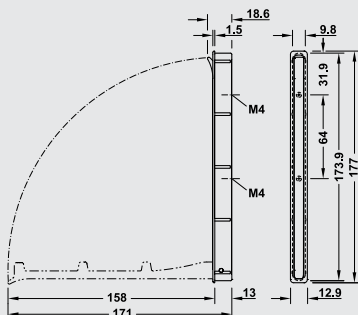
FOLDING HOOK



- > Version: Folding hook, with magnet for holding in closed position
- > Installation: For screw fixing or glue fixing

Finish	Cat.no.	Price* (MYR)
Polished chrome plated	844.33.220	60.00
Stainless steel coloured	844.33.020	95.00

Packing: 1 or 5 pieces



- > Version: Folding hook, with magnet for holding in closed position
- > Installation: For screw fixing or glue fixing

Finish	Cat.no.	Price* (MYR)
Polished chrome plated	844.33.230	126.00
Stainless steel coloured	844.33.030	135.00

Packing: 1 or 5 pieces

FOLDING HOOK



Housing: Silver coloured
hook: Chrome plated
matt

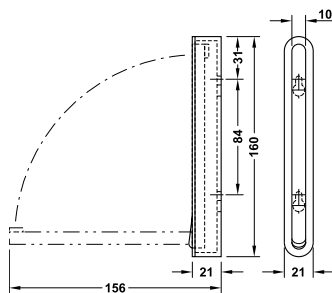
Housing: White
hook: Chrome plated
polished

Housing: Black
hook: Chrome plated
polished

> Material: Housing: Plastic, hook: Zinc alloy
> Version: Folding hook, with magnet for holding in closed position
Fixing material supplied

Finish	Cat.no.		Price* (MYR)
Housing: Silver coloured, Hook: Chrome plated matt	844.23.900	✘	252.00
Housing: White, Hook: Chrome plated polished	844.23.700	✘	359.00
Housing: Black, Hook: Chrome plated polished	844.23.300	✘	252.00

Packing: 1 or 10 pieces



Stock Item Freight Item



We reserve the right to alter specifications without notice.

LOCKING SYSTEM





Door entry systems are just one of Häfele's many areas of expertise. With over 100 door entry system products to choose from we are sure to have what you need for any job. Our door systems can be applied to many different applications such as furniture, lockers, etc.



The Dialock electronic access control system provides security and convenience.

Thanks to Dialock, lockers, drawers and sliding doors in display cases, sales counters and other store equipment and internal and external doors can be operated simply and touchlessly with a single electronic key. The access control system consists of software, a key, an encoding station, a mobile data unit, a furniture lock, a door terminal and a wall terminal.

Why Dialock? The benefits for you:

- > Convenience. Replaces mechanical keys. Discreet handling. Acoustic signal when display case is open. Can be combined with other electronic systems. Simple Plug&Play installation and retro-fitting.
- > Security. Electronic keys can be quickly allocated and withdrawn. Audible indication in the event of break-in. Touchless, secure and copy-proof transponder technology. Optional audit trail.
- > Flexibility. Flexible access authorisations for limited time periods, programmable on site. Individual, homogeneous design, without visible locking points. Can be combined with other electronic components. Controlling of multiple locks via an FT120 reader unit.

Technical overview

- > EFL furniture lock for drawers, cabinets, lockers display cabinets and safe-deposit boxes.
- > Power supply from mains.
- > Not affected by magnets.
- > With feedback contact, optionally with contact for door status indication.
- > The EFL locks automatically after 3 sec.
- > In addition to the factory setting of 3 sec, locking times of up to 120 sec will be selected. Can be set to permanently open.
- > FT 120 optional with energy storage capacity CAP (for integrated real time clock, stored for 6 days)

How does Dialock DFT works

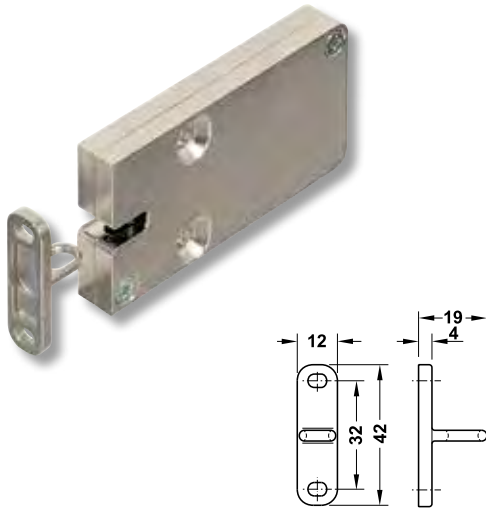
- > Hold programmed key card close to the reader (touchless)
- > A signal will be sent to the concealed DFT-terminal, which releases the lock(s) that the key is authorised to open. The drawer, the sliding door, etc will unlock to allow access and will automatically re-lock if after a (programmable) period of time.



We reserve the right to alter specifications without notice.

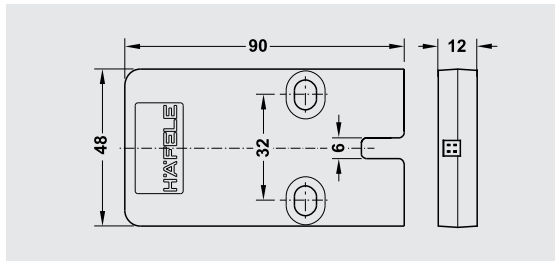
STEP 1 Select number of locks

EFL 3 FURNITURE LOCK



- > Area of application: Mains-operated electric lock for indoor use: For hinged doors, flaps, sliding doors, drawers or tambour doors in furniture, office and store equipment
- > Version: Electromotive locking, magnetic interactions cannot take place, locking component without magnet, locking plate crossways, with mini plug and RJ10 plug, 3D tolerance compensation, flat design 12 mm, (installation next to drawer possible with a distance of >12 mm to cabinet side panel)
- > Functionality: The EFL 3 furniture lock remains unlocked for 3 seconds when presenting an authorised user key in combination with the FT 120, FT 130 furniture terminals (standard latchbolt function). The EFL 3 locks automatically after 3 seconds. The optional deadbolt function (permanent locked/ open) can be set via the FT 120 furniture terminal. The door status (locked/unlocked) can be determined with feedback contact and additional macro. The connected FT 120 furniture terminal will generate an alarm accordingly
- > Material: Lock case and locking bolt: Zinc alloy
- > Finish: Lock case and locking bolt: Nickel plated

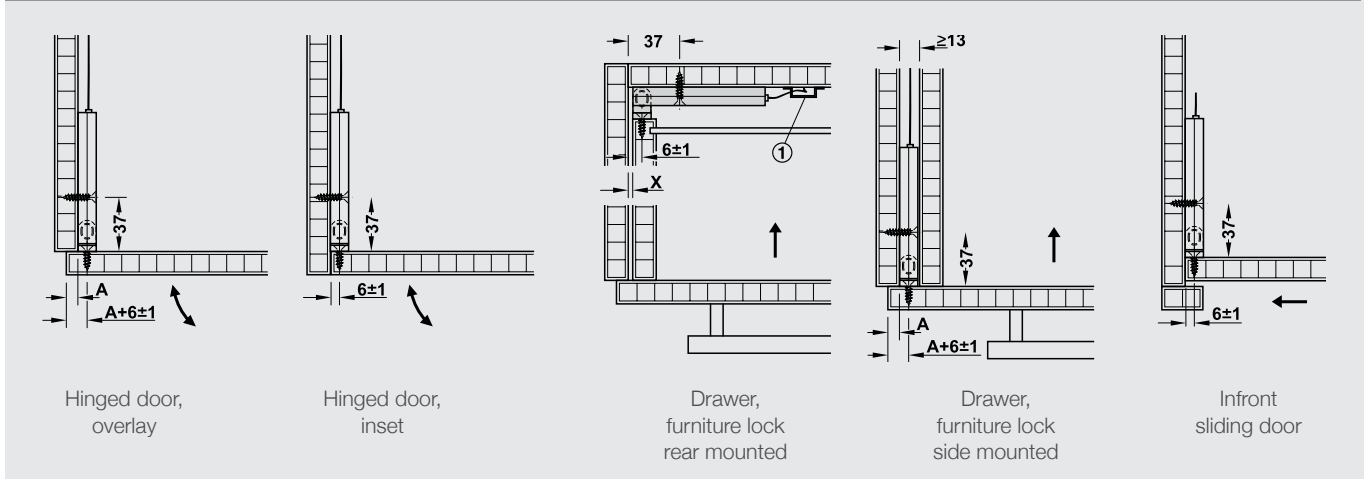
More than 1pc EFL3? (continue to STEP 2)



Item description	Cat. No.	Price* (MYR)
Lock case and locking bolt: Zinc Alloy	237.56.304	934.00
	237.56.343	

Supplied with 1 piece EFL 3 furniture lock, 1 piece locking component and 1 piece 3 meter connecting cable with both above items purchased
Packing: 1 Piece

Installation example



We reserve the right to alter specifications without notice.

STEP 2 Select MLA 6P Multi lock adapter (Skip this step if you have 1pc EFL 3 only)

MLA 6 MULTI LOCK ADAPTER



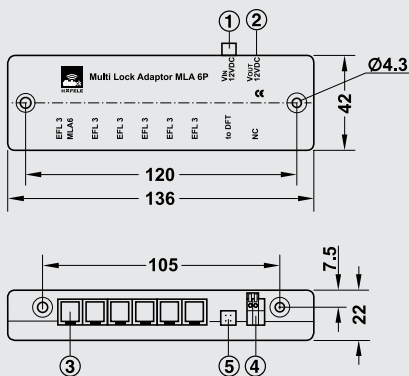
- > Area of application: Electronic multi-lock adapter for indoor use: For keyed alike EFL 3 and EFL 3C furniture locks
- > Version: With RJ10 socket for EFL 3 and EFL 3C furniture lock, with Molex-87833-042 socket for FT 120 furniture terminal, with mains lead and data cable
- > Material: Housing: Plastic
- > Colour: Housing: Anthracite/light grey

Max 6pcs furniture lock per MLA 6 Multi Lock Adapter



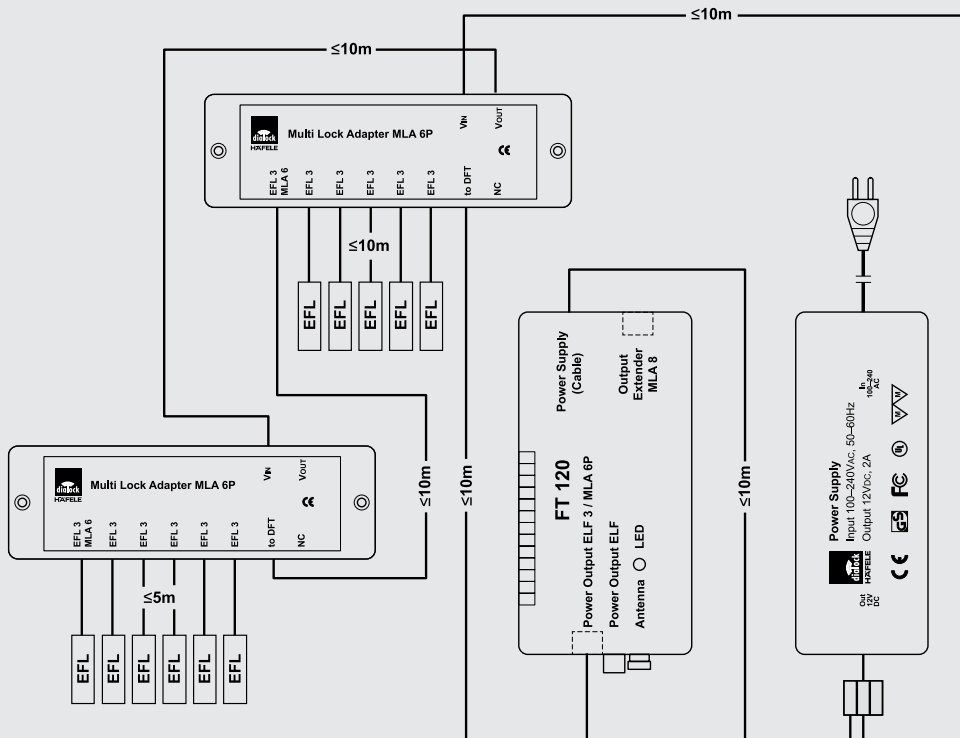
Item description	Cat. No.	Price* (MYR)
MLA 6P Multi Lock adapter	237.59.032	1,092.00

Supplied with 1 piece MLA 6P multi-lock adapter, 1 piece mains lead and 1 piece connection cable for FT120
Packing: 1 Piece



- ① V_{in} (voltage supply)
- ② V_{out} (output current)
- ③ For EFL 3 or EFL 3C (furniture lock)
- ④ NC contact (normally closed) (for external systems)
- ⑤ Data in (from FT 120)

Installation



Max. possible cable lengths between electronic components and furniture locks.

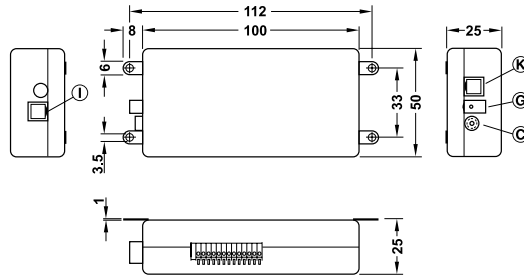
- Stock Item
- Freight Item

STEP 3 Select Programming Components

① FT120 FURNITURE TERMINAL



- > Area of application: Intelligent furniture terminal, for controlling EFL furniture locks
- > Version: Housing with 4 screw straps for fixing
- > Material: Housing: Plastic
- > Colour: Housing: Anthracite/light grey



② FAN 100 ANTENNA



- > Area of application: For indoor use: For installation in furniture
- > Functionality: Offset reader unit for user keys with integrated red/green LEDs for indication of the activation status, for FT 120 and FT 130 furniture terminals
- > Version: With connecting cable and coaxial plug

Technical data

Degree of protection	IP67
----------------------	------

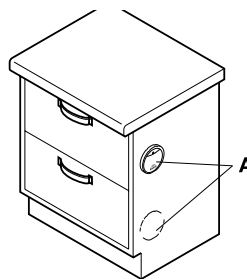
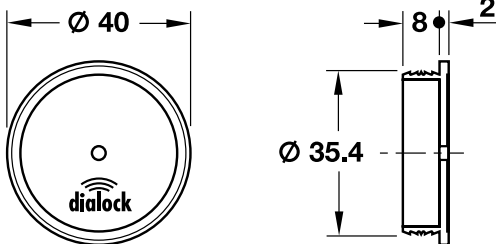
Note

Reader range: Approx. 25 mm with FT 120 and FAN 100 antenna (key fob). The range may be smaller due to environmental reasons, for example if metal materials or magnetic fields (power supply line) are in the near proximity. The FAN 100 antenna must not be installed behind or on metal surfaces or behind mirrors.

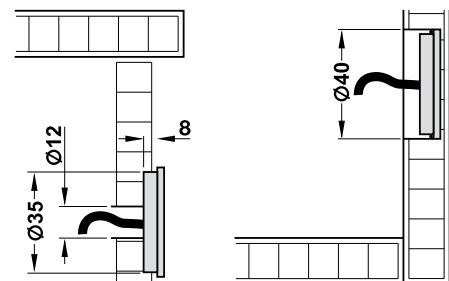
Minimum distance between 2 antennas: 250 mm



The antenna can be connected directly to the output port of the FT 120 furniture terminal. The supplied ferrite bead must be installed on the antenna lead at a distance of max. 10 cm from the FT 120.



Installation example
(A = antenna)



For recess mounting in 35/40 mm cup drilling, mount antenna as close as possible to the front (antenna range).

STEP 3 Select Programming Components

③ PS 1 POWER SUPPLY UNIT



- > Functionality: For supplying power to furniture terminals, and multi-lock adapters/ distributors
- > Version: Plug-in connection to output cable via AMP plug (3-way AMP plug on output port)

	Output current A	Dim. (L x W x H) mm
PS 1 power supply unit	2.5	105 x 42 x 30

④ PROGRAMMING KEY CARD



- > Functionality: For allocating access authorisations without software and programming station
- > Area of application: Small projects with few Dialock keys
- > Material: Plastic

⑤ CLEARING KEY CARD



- > Functionality: For erasing access authorisations without software and programming station
- > Area of application: Small projects with few Dialock keys
- > Material: Plastic

Select Programming components			
Components	Cat. No.		Price* (MYR)
① FT 120 Furniture terminal	237.58.111 x 1	✗	3,687.00
② FAN 100 Antenna	237.59.062 x 1	✗	
③ Power supply unit	237.58.180 x 1	✗	
④ Programming key card	917.42.001 x 1	✗	
⑤ Clearing key card	917.42.002 x 1	✗	

Packing: 1 Piece

STEP 4 Select key tag


KT KEY TAG



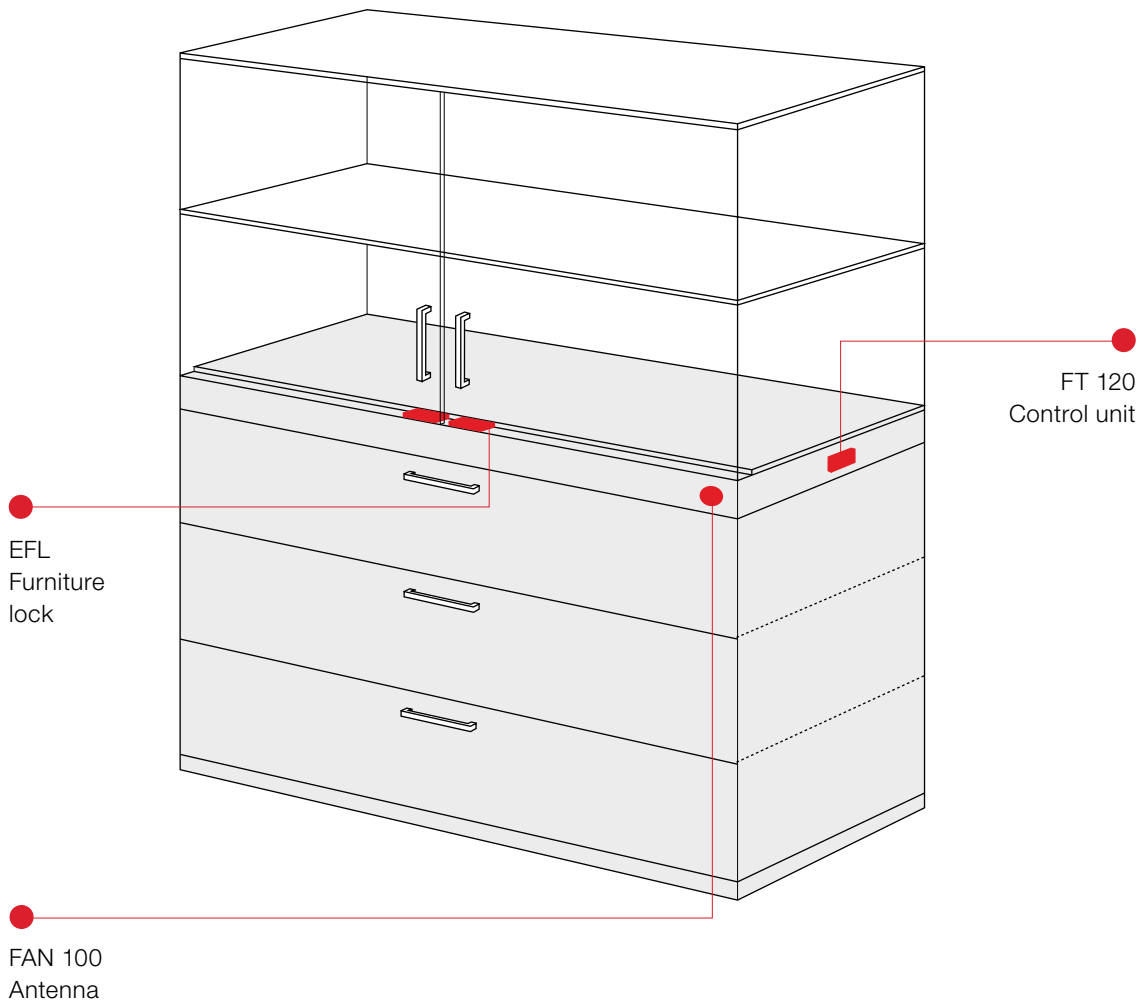
- > Version: Solid, ultrasound welded and made waterproof
- > Material: Combination of stainless steel frame and impact resistant polycarbonate
- > Finish: Satin/matt

Functionality

Electronic key for Dialock as key tag, 4 independent locking authorisations per key tag possible

Colour	Cat. No.	Price* (MYR)
Black	917.44.143 	41.00

Packing: 1 Piece



We reserve the right to alter specifications without notice.

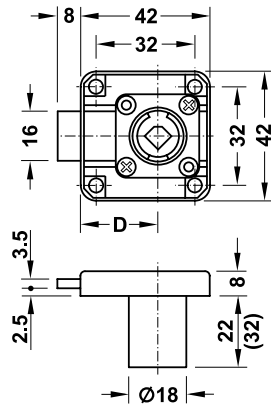
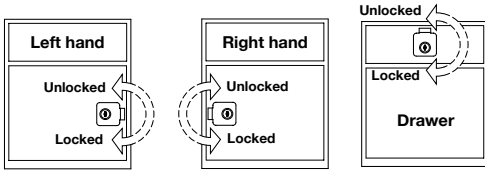


SYMO 3000 FURNITURE LOCK

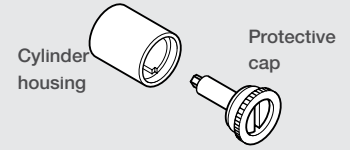
This modular system offers fitting efficiency as lock cases can be pre-mounted to furniture and cylinders added at a later date. The system offers maximum versatility as the same cylinder core will fit most of the various types of lock handle and case.

STEP 1 Select lock cases

SYMO 3000 RIM LOCK CASES



The locks can be operated by turning the protective cap with a screwdriver or coin, before the cylinder cores are installed

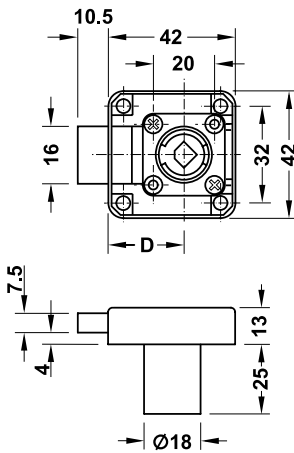


- > Material: Zinc alloy
- > Finish: Nickel plated
- > Backset D: 25mm
- > Installation: For screw fixing

Dead bolt rim lock

Mounting	Cylinder housing length mm	Cat. No.	Price* (MYR)
Drawer version (key turn to the right)	22	232.26.620	10.00
	32	232.26.680	12.00

Supplied 1 piece rim lock and 1 piece cylinder rosette
Packing: 1 or 20 pieces

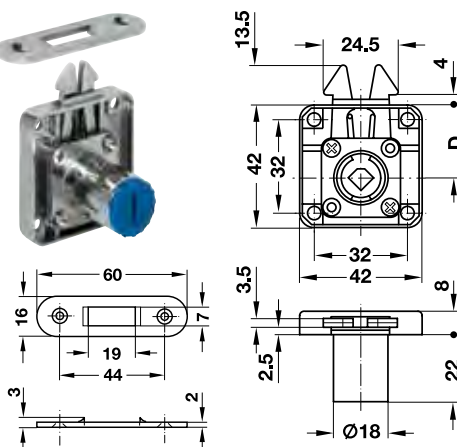


- > Material: Zinc alloy
- > Finish: Nickel plated
- > Backset D: 25mm
- > Installation: For screw fixing

Spring rim lock

Mounting	Cylinder housing length mm	Cat. No.	Price* (MYR)
Drawer version (key turn to the right)	25	232.37.625	12.00

Supplied 1 piece rim lock and 1 piece cylinder rosette
Packing: 1 or 20 pieces



- > Material: Zinc alloy
- > Finish: Nickel plated
- > Backset D: 24.5mm
- > Installation: For screw fixing

Roller shutter rim lock

Mounting	Cylinder housing length mm	Cat. No.	Price* (MYR)
Drawer version (key turn to the right)	22	232.30.620	36.00

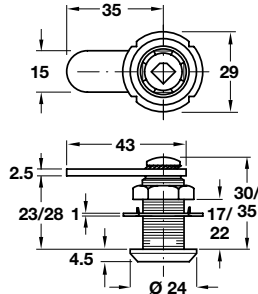
Supplied 1 piece roller shutter rim lock, 1 piece striking plate and 1 piece cylinder rosette
Packing: 1 or 20 pieces

We reserve the right to alter specifications without notice.

STEP 1 Select lock cases

SYMO 3000 GLASS DOOR LEVER LOCK CASES

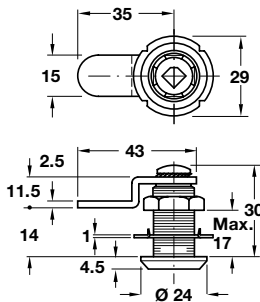
Cam lock case



- > Material: Zinc alloy
- > Finish: Polished nickel plated
- > Closure direction: 90° locking cam, (reversible), 180° key
- > Installation: For screw fixing with hexagon nut

Nut attachment, straight locking cam				
For door thickness mm	Closure direction	Cat. No.		Price* (MYR)
17	A (D, F, G)	235.88.600		9.00
22	B (C, E, H)	235.88.620		10.00

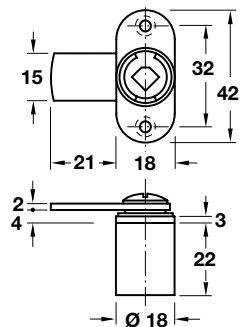
Supplied 1 piece cam lock, 1 piece lock washer, 1 piece locking cam (pre-mounted), 1 piece fixing nut (pre-mounted)
Packing: 1 or 20 pieces



- > Material: Zinc alloy
- > Finish: Polished nickel plated
- > Closure direction: 90° locking cam, (reversible), 180° key
- > Installation: For screw fixing with hexagon nut

Nut attachment, cranked locking cam				
For door thickness mm	Closure direction	Cat. No.		Price* (MYR)
Max. 17mm	A (D, F, G)	235.88.820		18.00
	B (C, E, H)	235.88.830		18.00

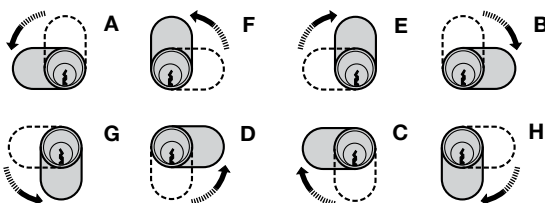
Supplied 1 piece cam lock, 1 piece lock washer, 1 piece locking cam (pre-mounted), 1 piece fixing nut (pre-mounted)
Packing: 1 or 20 pieces



- > Material: Zinc alloy
- > Finish: Polished nickel plated
- > Closure direction: 90° locking cam, (reversible), 180° key
- > Cylinder housing length: 22mm
- > Installation: For screw fixing with screw-on plate

Screw-on plate, straight locking cam				
For door thickness mm	Closure direction	Cat. No.		Price* (MYR)
Max. 22mm	A (D, F, G)	235.59.600		8.00

Supplied 1 piece cam lock, 1 piece locking cam (pre-mounted), 1 piece mounting screw (pre-mounted), and 1 piece washer (pre-mounted)
Packing: 1 or 20 pieces



The locks can be operated by turning the protective cap with a screwdriver or coin, before the cylinder cores are installed

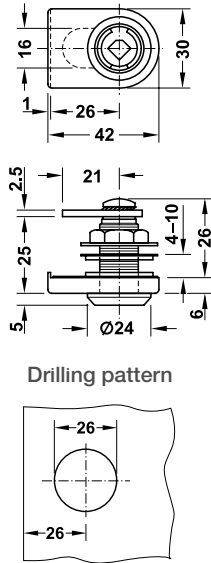
Cylinder housing

Protective cap

- > 90° Closure direction:
- > Closure directions can be altered by re-positioning the cam, but always moving in the same direction:
Closure direction A can be altered to D, F or G
Closure direction B can be altered to C, E or H

STEP 1 Select lock cases

SYMO 3000 GLASS DOOR LEVER LOCK CASES

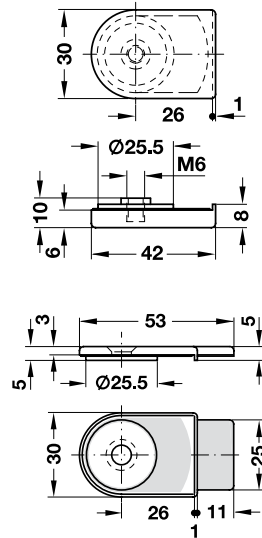


- > Material: Zinc alloy
- > Finish: Polished nickel plated
- > Closure direction: 90° locking cam, (reversible), 180° key
- > Installation: For screw fixing with hexagon nut

Glass door cam lock				
For glass thickness mm	Closure direction	Cat. No.		Price* (MYR)
4 - 10	B (C, E, H)	233.42.610		17.00

Supplied 1 piece glass door cam lock, 1 piece locking cam, 1 piece fixing nut and 1 piece angled striking plate
Packing: 1 or 20 pieces

Closure plate and trim cap

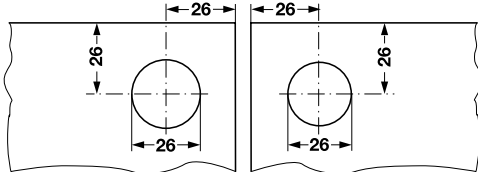


- > Area of application: For Symo glass door cam lock, for double doors, for gap thickness max. 8mm
- > Material: Zinc alloy
- > Finish: Polished nickel plated

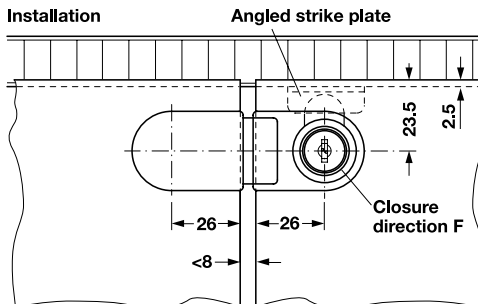
For double doors	
Cat. No.	Price* (MYR)
233.40.712	15.00

Supplied 2 pieces front panels, blank, 1 piece threaded screw M6 x 10mm (for glass thickness up to 8mm), 1 piece threaded screw M6 x 12mm (for glass thickness 8-10mm)
Packing: 1 or 20 pieces

Drilling pattern

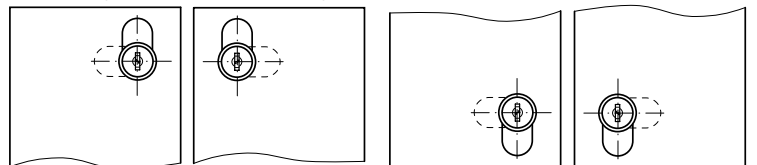


Installation



Application

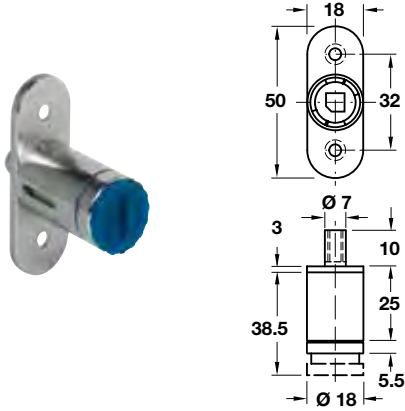
Where glass double doors are used together with the counterpiece, the following closure directions of the glass door cam lock are required:



Top left: closure direction E **Top right:** closure direction F **Bottom left:** closure direction G **Bottom right:** closure direction H

STEP 1 Select lock cases

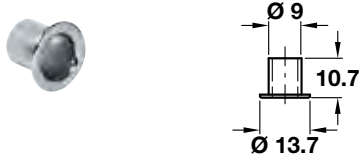
SYMO 3000 PUSH BUTTON LOCK CASES



- > Material: Zinc alloy
- > Finish: Nickel plated
- > Version: With M5 internal thread in locking pin for use with central locking system
- > Closure travel: 180°

Push-button cylinder			
Cylinder housing length mm	Cat. No.		Price* (MYR)
27.5mm (unlocked 38.5mm)	234.65.600		9.00

Supplied 1 piece push-button cylinder and 1 piece cylinder rosette
 Packing: 1 or 20 pieces



- > Material: Brass
- > Finish: Matt nickel plated
- > Installation: For mounting in drilled hole

Locking sleeve for push-button cylinder			
Cat. No.			Price* (MYR)
234.59.994			2.00

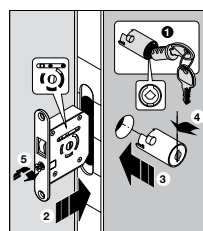
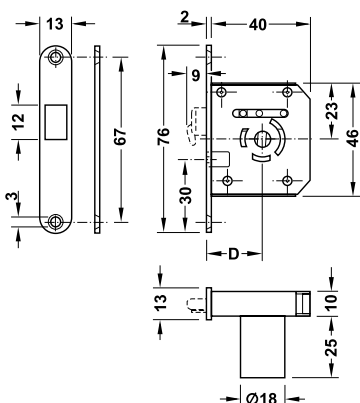
Packing: 1 or 100 pieces



- > Material: Zinc alloy
- > Finish: Nickel plated
- > Backset D: 22mm
- > Installation: For recess mounting and screw fixing

Hook bolt mortice lock			
Cylinder housing length mm	Cat. No.		Price* (MYR)
24	230.36.600		16.00

Supplied 1 piece hook bolt mortice lock, 1 piece cylinder housing and 1 piece striking plate
 Packing: 1 or 10 pieces



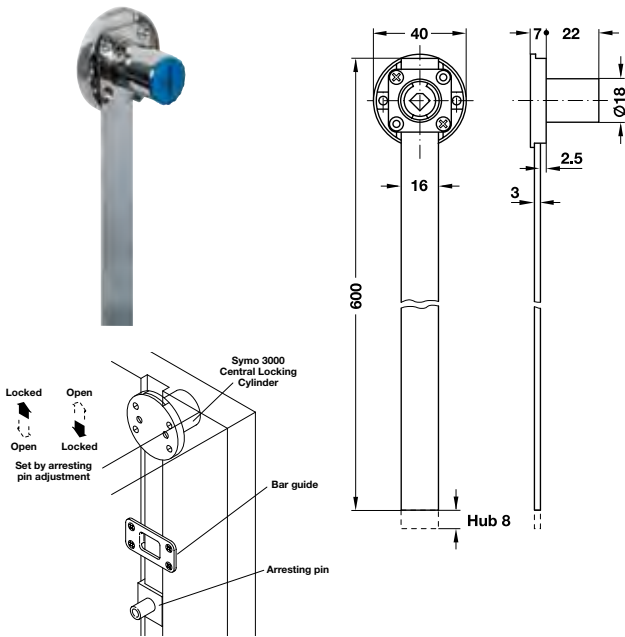
Installation

1. Insert the cylinder core.
2. Insert the lock case into the door.
3. Insert the cylinder housing through the drill hole.
4. Turn the cylinder housing slightly to the left (bayonet catch).
5. Screw in the safety screw.

The cylinder housing is now firmly fixed to the lock case.

STEP 1 Select lock cases

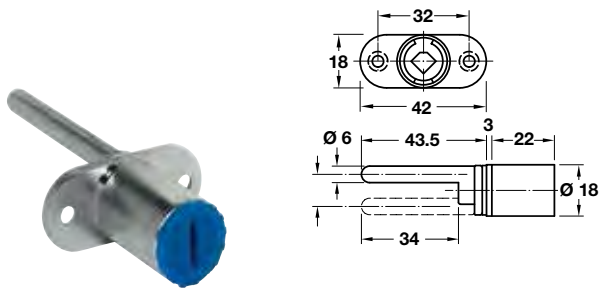
SYMO 3000 CENTRAL LOCKING SYSTEM



- > Material: Lock: Zinc alloy, Locking bar: Aluminium
- > Finish: Lock: Nickel plated
- > Version: With pre-mounted locking bar 600mm
- > Backset D: 22mm
- > Closure travel: 180°
- > Travel: 8mm
- > Installation: For screw fixing

Central locking system with locking bar			
Cylinder housing length mm	Cat. No.		Price* (MYR)
22	237.48.600		16.00

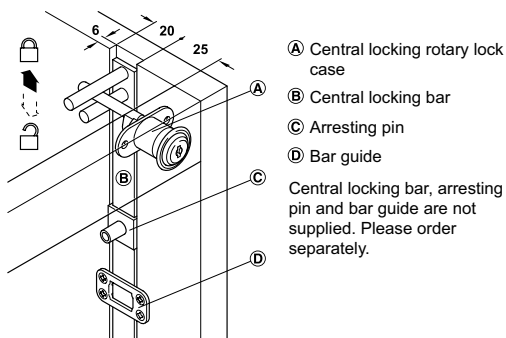
Packing: 1 or 10 pieces



- > Material: Zinc alloy
- > Finish: Nickel plated
- > Version: Lifting pin with 17mm travel
- > Closure travel: 180°
- > Installation: For installation in fixed front panel

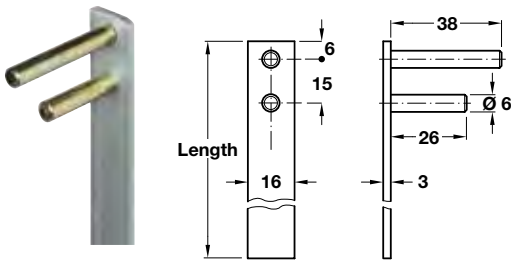
Central locking rotary lock, twin wing			
Travel mm	Cat. No.		Price* (MYR)
17	234.98.610		7.00

Packing: 1 or 20 pieces



STEP 1 Select lock cases

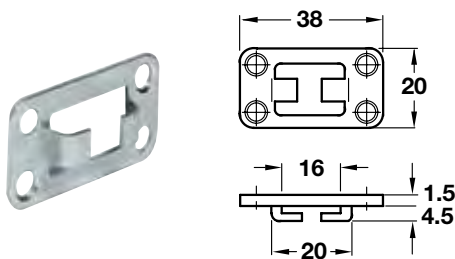
SYMO 3000 CENTRAL LOCKING SYSTEM



- > Material: Aluminium
- > Finish: Bright
- > Bar can be cut to length

Central locking bar			
Length Lmm	Cat. No.		Price* (MYR)
600	237.10.002		17.00
800	237.10.004		21.00
1000	237.10.006		25.00
1500	237.10.009		36.00

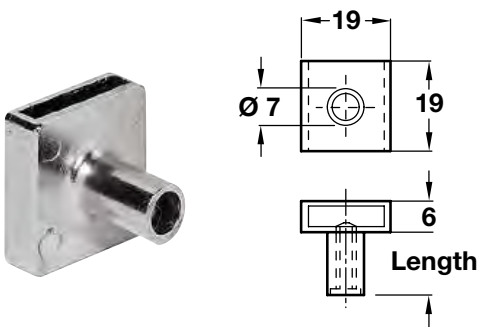
Packing: 1 or 20 pieces



- > Material: Steel
- > Finish: Galvanized
- > Installation: For screw fixing

Bar guide			Price* (MYR)
Cat. No.			
237.23.006			1.00

Packing: 1 or 100 pieces



- > Material: Steel
- > Finish: Galvanized
- > Installation: For screw fixing

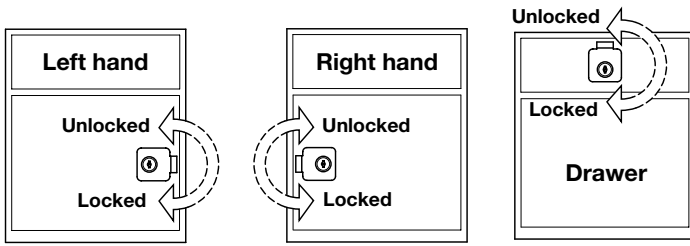
Arresting pin			
Length Lmm	Cat. No.		Price* (MYR)
6.5	237.22.120		2.00
13	237.22.100		2.00

Supplied 1 piece arresting pin and 1 piece M4 grub screw with SW 2 hexagon socket (pre-mounted)

Packing: 1 or 100 pieces

STEP 1 Select lock cases

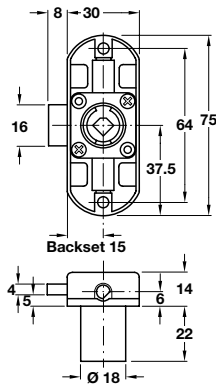
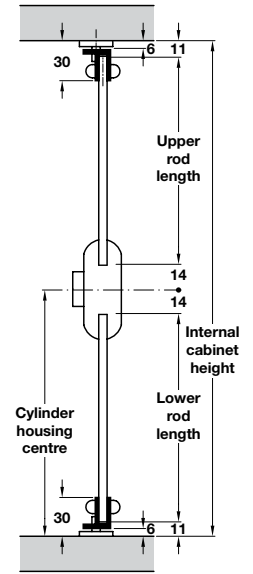
SYMO 3000 ESPAGNOLETTE LOCK CASES



! The locks can be operated by turning the protective cap with a screwdriver or coin, before the cylinder cores are installed

Cylinder housing Protective cap

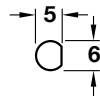
Maximum rod dimensions:
Upper rod length
 = cylinder housing centre - 25 mm
Lower rod length
 = cylinder housing centre - 25 mm



- > Material: Zinc alloy
- > Finish: Nickel plated
- > Backset : 15mm
- > Installation: For screw fixing

Espagnolette Lock				
Mounting	Cylinder housing length mm	Cat. No.		Price* (MYR)
Left	22	224.64.650		31.00
Right		224.64.600		31.00

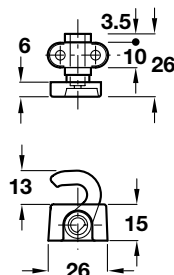
Packing: 1 or 10 pieces



- > Material: Steel
- > Finish: Nickel plated

Profile rod				
Diameter mm	Length mm	Cat. No.		Price* (MYR)
6	2000	226.07.209		23.00

Packing: 1 piece



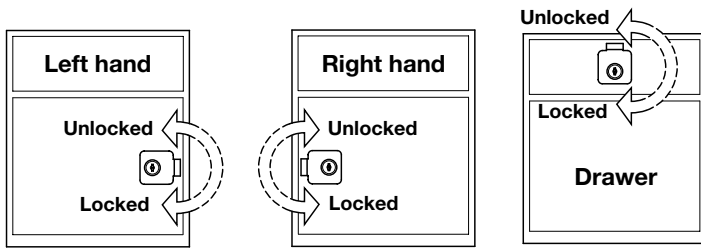
- > Material: Zinc alloy
- > Finish: Nickel plated
- > Version: With plastic guide

Catch hook			
Diameter mm		Cat. No.	Price* (MYR)
6		226.30.761	15.00

Packing: 1 pair

STEP 1 Select lock cases

SYMO 3000 ESPAGNOLETTE LOCK CASES

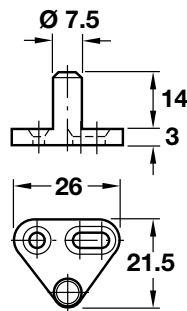
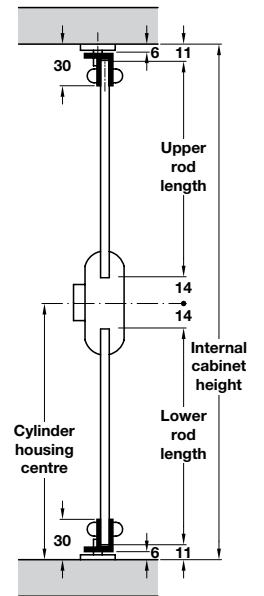


! The locks can be operated by turning the protective cap with a screwdriver or coin, before the cylinder cores are installed

Cylinder housing

Protective cap

Maximum rod dimensions:
Upper rod length
 = cylinder housing centre - 25 mm
Lower rod length
 = cylinder housing centre - 25 mm

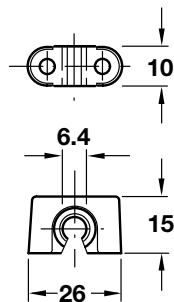


- > Material: Zinc alloy
- > Finish: Polished nickel plated
- > Installation: For screw fixing (use slot for adjustment)

Locking bolt with screw-on plate

Cat. No.	Price* (MYR)
226.57.708	2.00

Packing: 1, 20 or 200 pieces



- > With plastic guide
- > Installation: For screw fixing

Rod guide

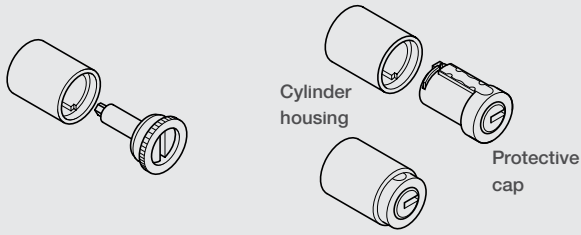
Cat. No.	Price* (MYR)
239.75.761	4.00

Packing: 1 or 200 pieces

STEP 2 Select cylinder core

SYMO 3000 CYLINDER CORES

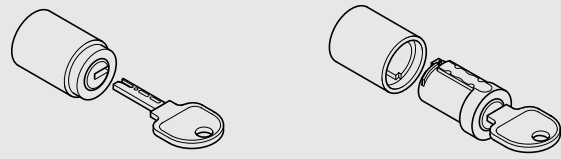
Inserting the cylinder core



Remove protective cap from cylinder housing

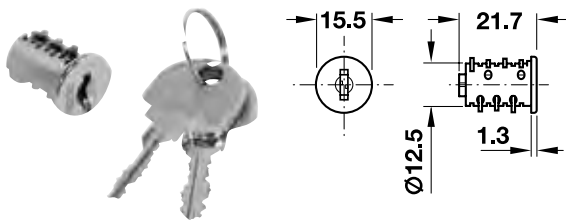
Insert the cylinder core into the cylinder housing and exert light pressure until cylinder core snaps into place

Removing the cylinder core



The cylinder core can only be removed from the cylinder housing by using the removal key (removal key can only be used in unlocked position)

Insert the removal key into the cylinder housing and withdraw under slight pressure



- > Material: Housing: Zinc alloy, plate levers: Brass
- > Finish: Nickel plated
- > Locking system: With 6 plate levers
- > Installation: Left or right, for plug fitting

Keyed alike	
Item description	Price* (MYR)
Keyed alike cylinder core	9.60

Supplied 1 piece plate cylinder core and 2 pieces key
Packing: 1 or 20 pieces

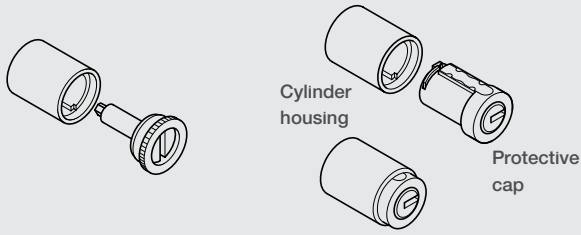
Key change	Cat. No.
SH 0001	210.40.601
SH 0002	210.40.602
SH 0003	210.40.603
SH 0004	210.40.604
SH 0005	210.40.605
SH 0006	210.40.606
SH 0007	210.40.607
SH 0008	210.40.608
SH 0009	210.40.609
SH 0010	210.40.610
SH 0011	210.40.611
SH 0012	210.40.612
SH 0013	210.40.613
SH 0014	210.40.614
SH 0015	210.40.615

Key change	Cat. No.
SH 0016	210.40.616
SH 0017	210.40.617
SH 0018	210.40.618
SH 0019	210.40.619
SH 0020	210.40.620
SH 0021	210.40.621
SH 0022	210.40.622
SH 0023	210.40.623
SH 0024	210.40.624
SH 0025	210.40.625
SH 0026	210.40.626
SH 0027	210.40.627
SH 0028	210.40.628
SH 0029	210.40.629
SH 0030	210.40.630

STEP 2 Select cylinder core

SYMO 3000 CYLINDER CORES

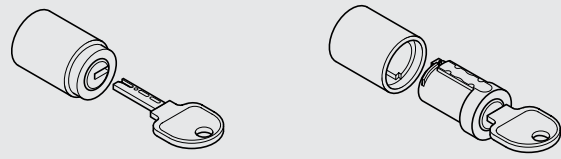
Inserting the cylinder core



Remove protective cap from cylinder housing

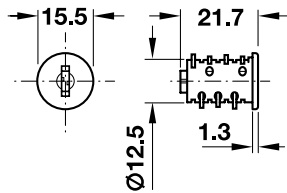
Insert the cylinder core into the cylinder housing and exert light pressure until cylinder core snaps into place

Removing the cylinder core



The cylinder core can only be removed from the cylinder housing by using the removal key (removal key can only be used in unlocked position)

Insert the removal key into the cylinder housing and withdraw under slight pressure

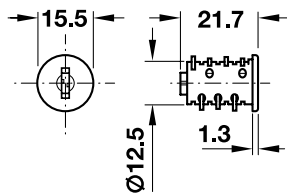


- > Material: Housing: Zinc alloy, plate levers: Brass
- > Finish: Nickel plated
- > Locking system: With 6 plate levers
- > Installation: Left or right, for plug fitting

With different key changes, unsorted

Item description				Price* (MYR)
SH 0001 - 0200	MK1	210.41.611		9.60
SH 0201 - 0600	MK2	210.41.612		9.60
SH 0601 - 2600	MK1	210.41.613		9.60

Supplied 1 piece plate cylinder core and 2 pieces key
Packing: 1 or 20 pieces



- > Material: Housing: Zinc alloy, plate levers: Brass
- > Finish: Nickel plated
- > Locking system: With 6 plate levers
- > Installation: Left or right, for plug fitting

With keys plastic cap black, different key changes unsorted

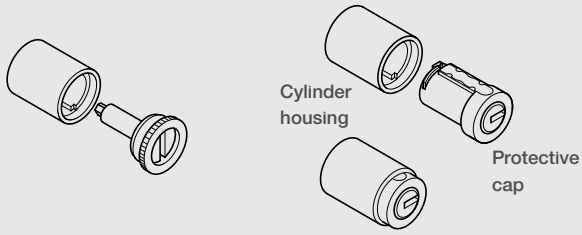
Item description				Price* (MYR)
SH 0601 - 2600	MK13	210.41.623		10.00

Supplied 1 piece plate cylinder core and 2 pieces key
Packing: 1 or 20 pieces

STEP 3 Select accessories (Optional)

SYMO 3000 ACCESSORIES

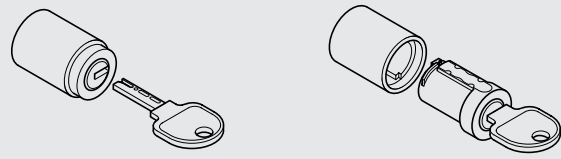
Inserting the cylinder core



Remove protective cap from cylinder housing

Insert the cylinder core into the cylinder housing and exert light pressure until cylinder core snaps into place

Removing the cylinder core



The cylinder core can only be removed from the cylinder housing by using the removal key (removal key can only be used in unlocked position)

Insert the removal key into the cylinder housing and withdraw under slight pressure



> Material: Steel
> Finish: Nickel plated



> Material: Steel
> Finish: Nickel plated

Master key

Key change		Price* (MYR)
MK 1	210.11.001	3.00
MK 2	210.11.002	3.00
MK 3	210.11.003	3.00

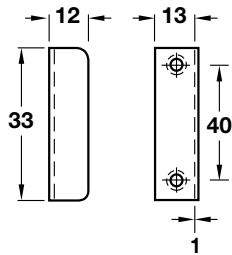
Packing: 1 piece

Removal key

Cat.No.	Price* (MYR)
210.11.090	3.00

Packing: 1 piece

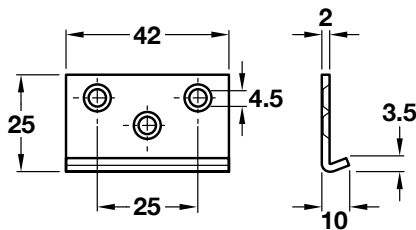
Angled striking plate



> Material: Steel
> Finish: Nickel plated

Cat.No.	Price* (MYR)
239.41.013	2.00

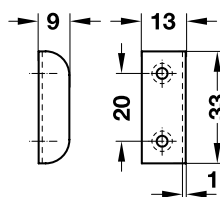
Packing: 1 or 100 pieces



> Material: Steel
> Finish: Nickel plated

Cat.No.	Price* (MYR)
232.37.991	6.00

Packing: 1 or 100 pieces



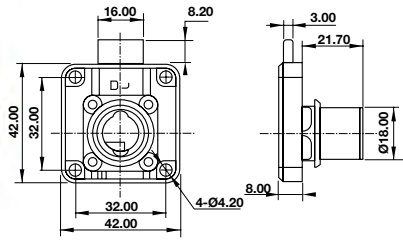
> Material: Steel
> Finish: Nickel plated

Cat.No.	Price* (MYR)
239.40.703	1.00

Packing: 1 or 100 pieces

We reserve the right to alter specifications without notice.

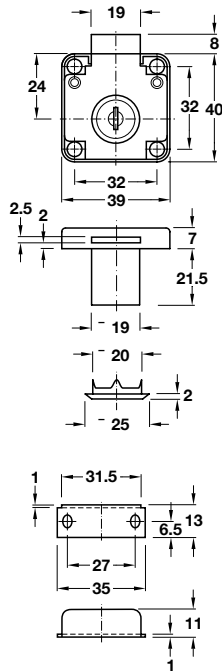
ECONO LOCKS



- > Material: Zinc alloy
- > Finish: Nickel plated
- > Installation: For screw fixing

Econo deadbolt rim lock		
Cat.No.		Price* (MYR)
232.28.720		9.00

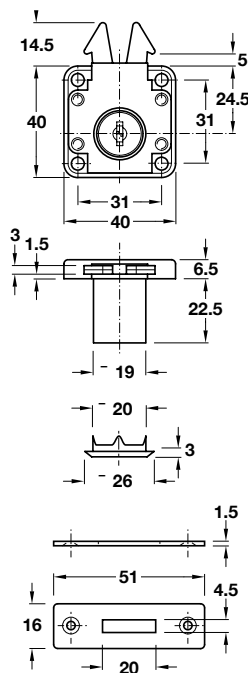
Supplied 1 piece deadbolt rim lock, 1 piece cylinder rosette and 2 piece keys
 Packing: 1 or 50 pieces



- > Area of application: Suitable for mass produced furniture
- > Material: Zinc alloy
- > Finish: Chrome plated polished
- > Backset D: 24 mm
- > Cylinder length: 21 mm
- > Cylinder Ø: 19 mm
- > Locking system: With 6 plate levers
- > Key change: 120 different key changes possible
- > Installation: For screw fixing

Econo deadbolt rim lock		
Mounting	Cat. No.	Price* (MYR)
Drawer version	232.01.220	7.00

Supplied 1 piece deadbolt rim lock, 1 piece cylinder rosette, 1 piece angle striking plate and 2 piece folding keys
 Packing: 1 or 12 pieces

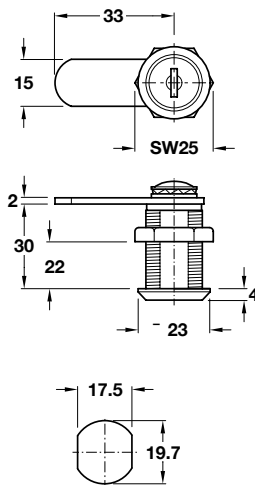


- > Area of application: For tambour doors
- > Material: Zinc alloy
- > Finish: Chrome plated polished
- > Backset D: 24.5 mm
- > Cylinder length: 22 mm
- > Cylinder Ø: 19 mm
- > Locking system: With 6 plate levers
- > Key change: 120 different key changes possible
- > Installation: For screw fixing

Econo Roller Shutter rim lock		
Mounting	Cat. No.	Price* (MYR)
Drawer version	232.01.240	9.00

Supplied 1 piece roller shutter rim lock, 1 piece cylinder rosette, 1 piece angle striking plate and 2 piece folding keys
 Packing: 1 or 12 pieces


ECONO LOCKS



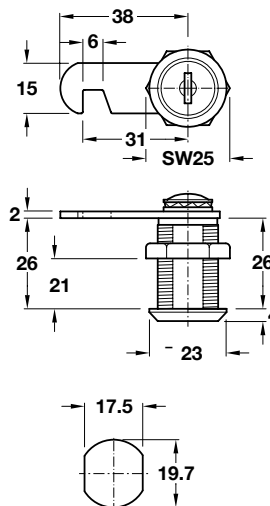
Hole pattern for metal doors

- > Material: Zinc alloy
- > Finish: Chrome plated polished
- > Closure travel: 90°
- > Locking system: With 6 plate levers
- > Key change: 120 different key changes possible
- > Installation: For screw fixing with hexagon nut (hole pattern 19.7 x 17.5 mm)

Econo cam lock, with straight cam

For door thickness mm	Cat. No.	Price* (MYR)
max. 22	235.19.211 	7.60


Supplied 1 piece cam lock, 1 piece locking cam - straight, 1 piece lock washer, 1 piece fixing nut (pre-mounted) and 2 piece folding keys
Packing: 1 or 12 pieces



Hole pattern for metal doors

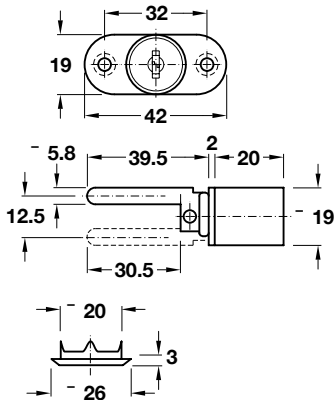
- > Material: Zinc alloy
- > Finish: Chrome plated polished
- > Closure travel: 90°
- > Locking system: With 6 plate levers
- > Key change: 120 different key changes possible
- > Installation: For screw fixing with hexagon nut (hole pattern 19.7 x 17.5 mm)

Econo cam lock, with hook cam

For door thickness mm	Cat. No.	Price* (MYR)
max. 17	235.19.200 	7.40

Supplied 1 piece cam lock, 1 piece hook cam, 1 piece lock washer, 1 piece fixing nut (pre-mounted) and 2 piece folding keys
Packing: 1 or 12 pieces

ECONO LOCKS

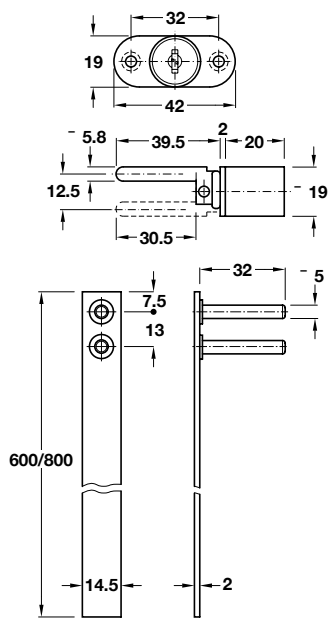


- > Material: Zinc alloy
- > Finish: Chrome plated polished
- > Lift: 17 mm
- > Cylinder length: 22 mm
- > Cylinder Ø: 19 mm
- > Closure travel: Key and lifting pin 180°
- > Locking system: With 6 plate levers, key can be removed in open and locked position
- > Key change: 120 different key changes possible
- > Installation: For screw fixing

Econo Central locking rotary cylinder lock

Cat.No.	Price* (MYR)
234.99.261	7.80

Supplied 1 piece central locking rotary cylinder lock, 1 piece cylinder rosette, and 2 pieces folding keys
 Packing: 1 or 12 pieces

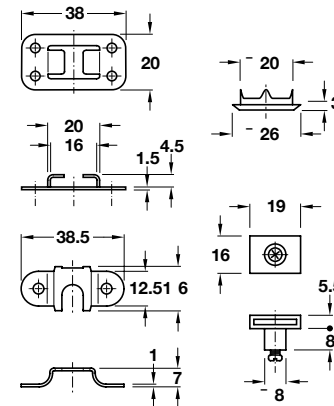


- > Material: Zinc alloy
- > Finish: Chrome plated polished
- > Cylinder length: 22 mm
- > Cylinder Ø: 19 mm
- > Closure travel: 180°
- > Locking system: With 6 plate levers
- > Key change: 120 different key changes possible
- > Installation: For screw fixing

Econo Central locking rotary cylinder lock

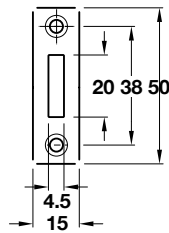
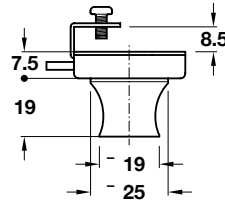
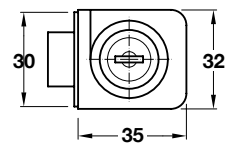
Lift mm	Cat.No.	Price* (MYR)
With 600mm locking bar		
12	234.99.240	15.60
With 800mm locking bar		
17	234.99.241	18.90

Supplied 1 piece central locking rotary cylinder lock, 1 piece cylinder rosette, 1 piece central locking bar, 2 pieces bar guides, 3 pieces arresting pins, 3 pieces drawer locking plates and 2 piece folding keys
 Packing: 1 or 12 pieces




Stock Item Freight Item

ECONO LOCKS



- > Material: Zinc alloy
- > Finish: Chrome plated polished
- > For glass door thickness: 4–8 mm
- > Locking system: With 6 plate levers
- > Key change: 120 different key changes possible
- > Installation: For clip fixing

Econo Glass door deadbolt lock

Cat.No.	Price* (MYR)
233.20.210 	11.50

Supplied 1 piece central locking rotary cylinder lock, 1 piece cylinder rosette, and 2 pieces folding keys
 Packing: 1 or 12 pieces

A close-up photograph of a metal catch mechanism installed on a white cabinet door. The catch is a rectangular metal piece with a central slot, mounted on the edge of the door. The background shows the white surface of the cabinet and the dark interior of the door.

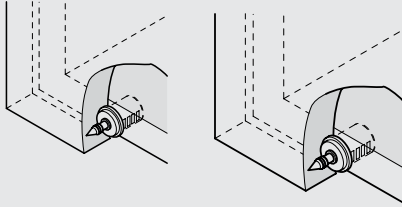
CATCHES

Catches are a perfect solution when you want to ensure furniture applications with doors or drawers will remain in situ, but do not have a security requirement. At Häfele, we are proud to offer a range of catches to cover most requirements depending on the furniture design and budget.

MORTICE TYPE MAGNETIC CATCHES

For morticed installation in cabinet face edges

These magnetic catches can be installed

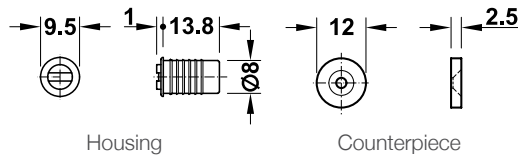


In the face edge of the cabinet SIDE panel Or cupboard shelf



- > Material: Housing: Plastic, counterpiece: Steel
- > Version: Rigid housing and counterpiece
- > Installation: Housing for press fitting, counterpiece for screw fixing

► Pull 2.0kg

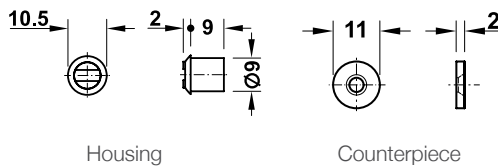


Magnetic catch, mortice type

Colour finish	Cat. No.	Price* (MYR)
Housing: Black	246.01.312	18.00

Packing: 1 or 100 pieces

► Pull 1.8kg

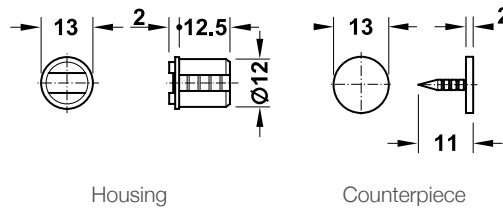


Magnetic catch, mortice type

Colour finish	Cat. No.	Price* (MYR)
Housing: White	246.00.708	5.00
Housing: Brown	246.00.100	5.00

Packing: 1 or 60 pieces

► Pull 2.0-3.0kg



Magnetic catch, mortice type

Colour finish	Cat. No.	Price* (MYR)
Housing: White	246.43.758	5.00

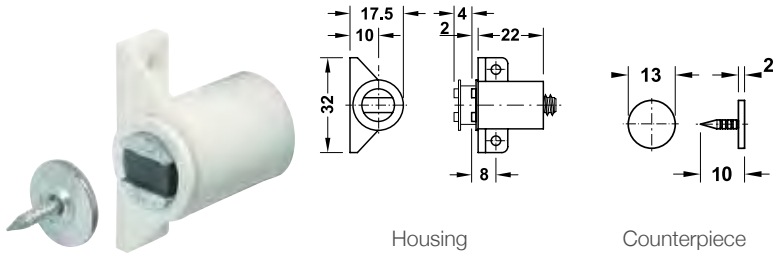
Packing: 1 or 200 pieces

SIDE FIXING MAGNETIC CATCHES, SCREW FIXING

Made of high quality, impact resistance plastic



► Pull 3.0-4.0kg

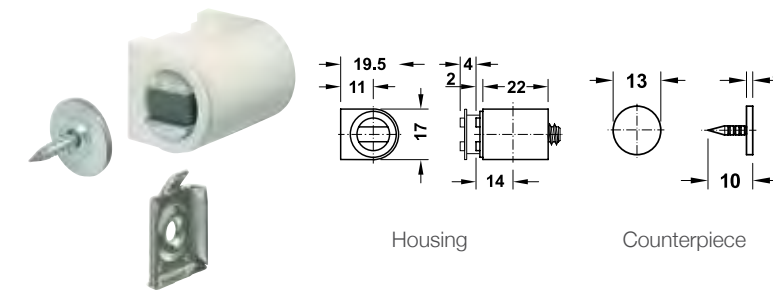


- > Material: Housing: Plastic, counterpiece: Steel
- > Version: Rigid housing, movable counterpiece
- > Adjustment facility: Magnet insert can be adjusted by approx. +4mm by turning
- > Installation: Housing for screw fixing, counterpiece for knocking in

Magnetic catch			
Colour finish	Cat. No.		Price* (MYR)
Housing: White	246.09.701	✘	7.00
Housing: Brown	246.09.103	✘	7.00

Packing: 1 or 50 pieces

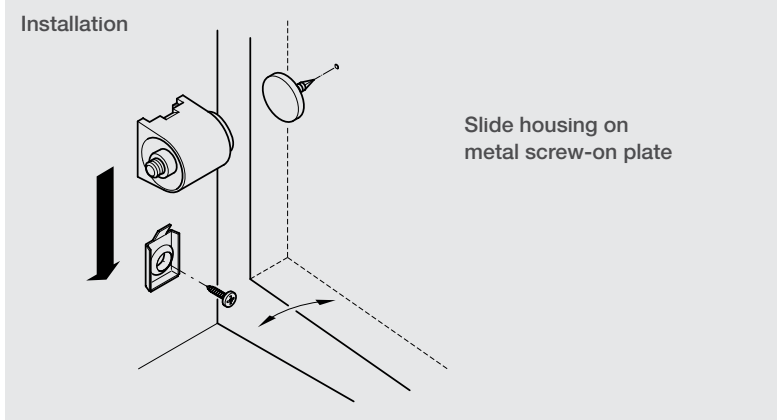
► Pull 3.0-4.0kg



- > Material: Housing: Plastic, counterpiece: Steel
- > Version: Rigid housing, movable counterpiece
- > Adjustment facility: Magnet insert can be adjusted by approx. +4mm by turning
- > Installation: Housing for screw fixing with screw-on plate, counterpiece for knocking in

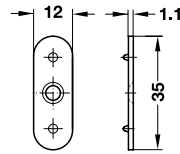
Magnetic catch			
Colour finish	Cat. No.		Price* (MYR)
Housing: White	246.13.720	✘	15.00
Housing: Brown	246.13.120	✘	15.00
Housing: Silver coloured	246.13.920	✘	7.00

Supplied 1 piece housing, 1 piece counterpiece and 1 piece metal screw-on plate
Packing: 1 or 50 pieces

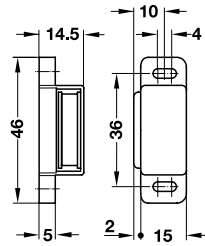


SCREW FIXING MAGNETIC CATCHES

► Pull 2.0kg



Counterpiece



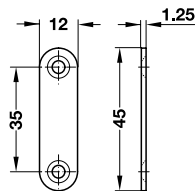
Housing

- > Material: Housing: Plastic, counterpiece: Steel
- > Version: Movable housing, rigid counterpiece
- > Adjustment facility: With slot in housing
- > Installation: Housing and counterpiece for screw fixing

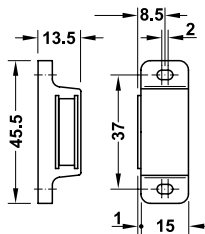
Magnetic catch			
Colour finish	Cat. No.		Price* (MYR)
Housing: White	246.29.703	✘	5.00
Housing: Brown	246.29.105	✘	5.00
Housing: Black	246.29.301	✘	5.00

Packing: 1 or 50 pieces

► Pull 4.0-5.0kg



Counterpiece



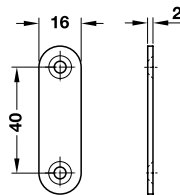
Housing

- > Material: Housing: Plastic, counterpiece: Steel
- > Version: Movable housing, rigid counterpiece
- > Adjustment facility: With slot in housing
- > Installation: Housing and counterpiece for screw fixing

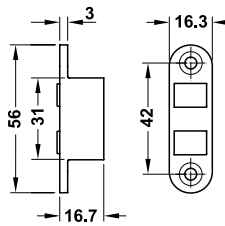
Magnetic catch			
Colour finish	Cat. No.		Price* (MYR)
Housing: White	246.26.741	✘	2.00
Housing: Brown	246.26.141	✘	2.00
Housing: Black	246.26.341	✘	2.00
Housing: Silver coloured	246.26.940	✘	2.00
Counterpiece	246.26.992	✘	0.40

Packing: 1 piece

► Pull 4.0kg



Counterpiece



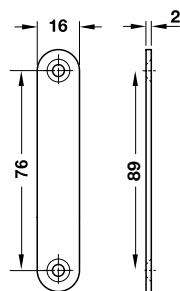
Housing

- > Material: Housing: Zinc alloy, counterpiece: Metal
- > Version: Movable housing, rigid counterpiece
- > Installation: Housing and counterpiece for recess mounting

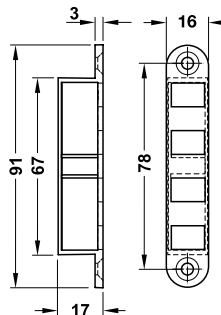
Magnetic catch, for recess mounting			
Colour finish	Cat. No.		Price* (MYR)
Nickel plated	246.75.613	✘	79.00

Packing: 1 or 10 pieces

► Pull 8.0kg



Counterpiece



Housing

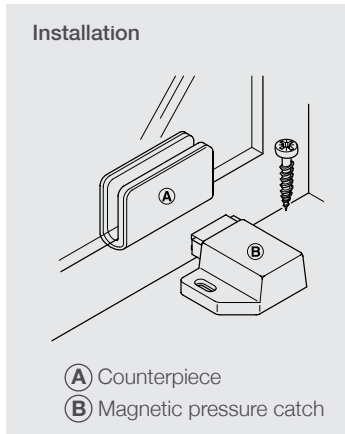
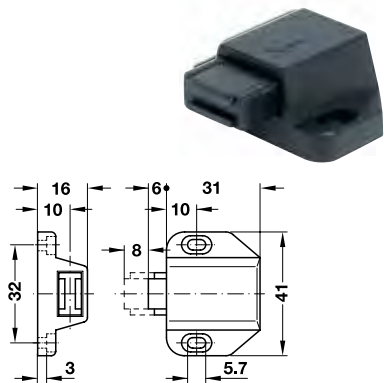
- > Material: Housing: Zinc alloy, counterpiece: Metal
- > Version: Movable housing, rigid counterpiece
- > Installation: Housing and counterpiece for recess mounting

Magnetic catch, for recess mounting			
Colour finish	Cat. No.		Price* (MYR)
Nickel plated	246.75.623	✘	151.00

Packing: 1 or 10 pieces

MAGNETIC PRESSURE CATCH

► For single glass door, pull 1.8kg

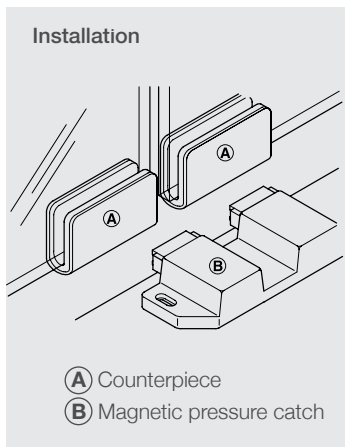
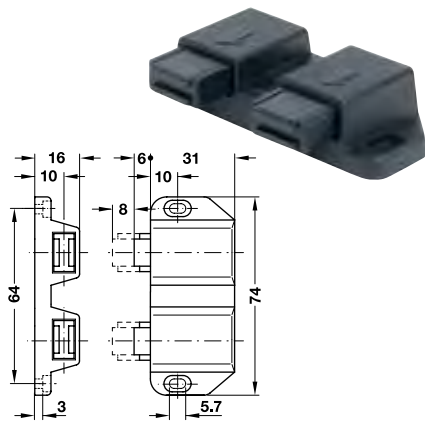


- > Material: Plastic
- > Adjustment facility: With slot
- > Installation: For screw fixing

Magnetic pressure catch			
Colour finish	Cat. No.		Price* (MYR)
Housing: White	245.67.710	✗	5.00
Housing: Black	245.67.310	✗	5.00

Packing: 1 or 100 pieces

► For double glass door, pull 2.5kg

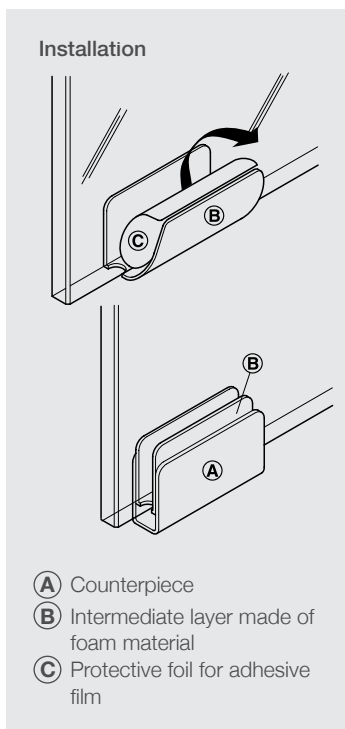
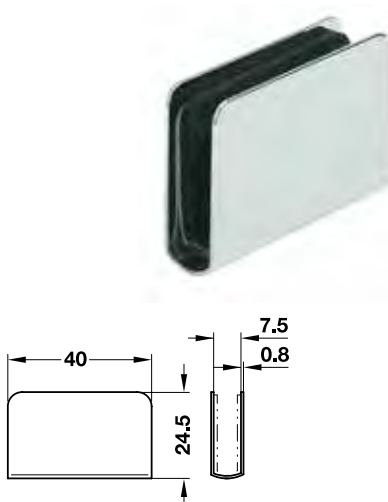


- > Material: Housing: Plastic, counterpiece: Steel
- > Version: Movable housing, rigid counterpiece
- > Adjustment facility: With slot in housing
- > Installation: Housing and counterpiece for screw fixing

Magnetic pressure catch			
Colour finish	Cat. No.		Price* (MYR)
Housing: White	245.67.720	✗	9.00
Housing: Black	245.67.320	✗	10.00

Packing: 1 or 100 pieces

► Counterpiece



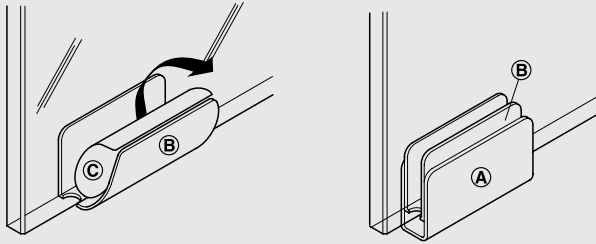
- > Material: Steel
- > For glass thickness: 4 -6mm
- > Installation: For clipping on, with self-adhesive intermediate layer made of foam material

Magnetic pressure catch			
Colour finish	Cat. No.		Price* (MYR)
Chrome plated	245.66.211	✗	3.00
Black	245.66.311	✗	2.00

Packing: 1 or 100 pieces

COUNTERPIECE

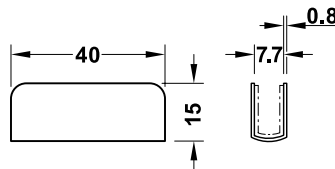
Installation



- (A) Counterpiece
- (B) Intermediate layer made of foam material
- (C) Protective foil for adhesive film

After removing the backing foil, attach the foam liner to the glass door, then push the counterpiece or finger-pull over the liner

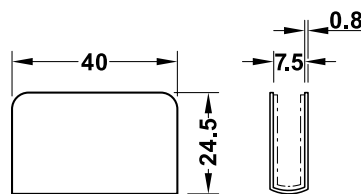
- > Material: Steel
- > For glass thickness: 4 -6mm
- > Installation: For clipping on, with self-adhesive intermediate layer made of foam material



Counterpiece

Colour finish	Cat. No.		Price* (MYR)
Chrome plated	245.66.201	✘	4.00
Nickel plated	245.66.600	✘	4.00
Black	245.66.309	✘	3.00

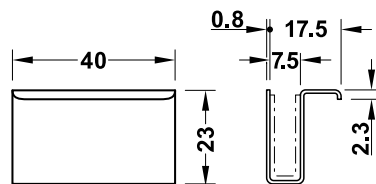
Packing: 1 or 400 pieces



Counterpiece

Colour finish	Cat. No.		Price* (MYR)
Chrome plated	245.66.211	✘	4.00
Black	245.66.311	✘	3.00

Packing: 1 or 200 pieces



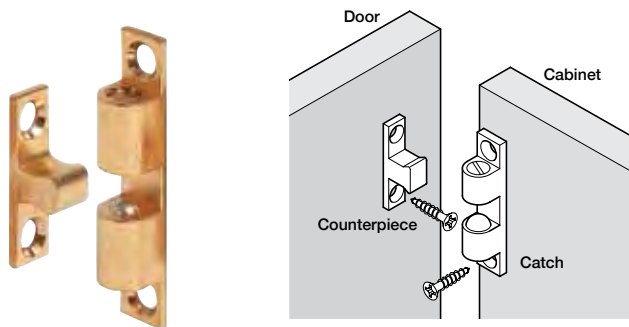
Counterpiece

Colour finish	Cat. No.		Price* (MYR)
Chrome plated	245.66.221	✘	5.00
Black	245.66.321	✘	3.00

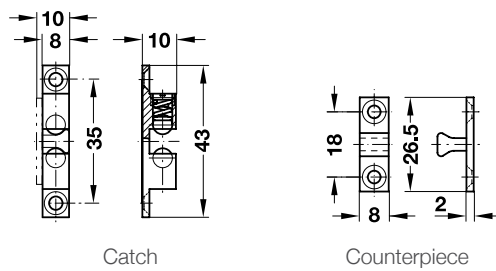
Packing: 1 or 200 pieces

TWIN BALL CATCHES

Solid brass catches for heavy duty applications

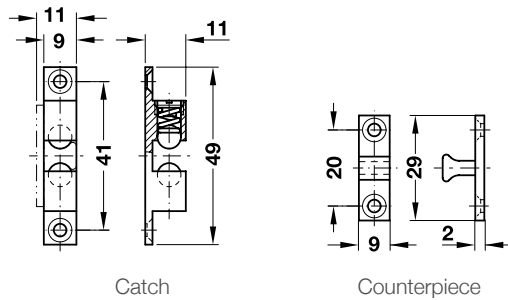


- > Material: Balls: Stainless steel, catch and counterpiece: Brass
- > Finish: Bright brass
- > Installation: For screw fixing
- > Adjustment facility: Retaining pressure with flat blade screwdriver



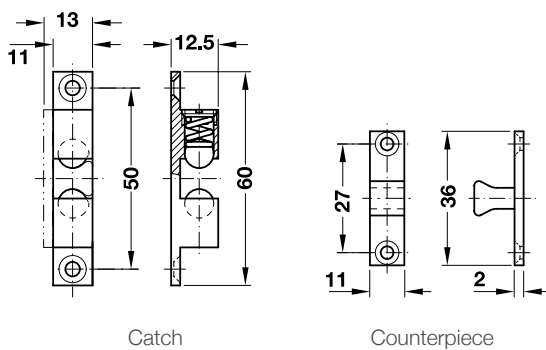
Twin ball catch, 43mm		
Cat. No.		Price* (MYR)
244.20.014	✘	8.00

Packing: 1 or 50 pieces



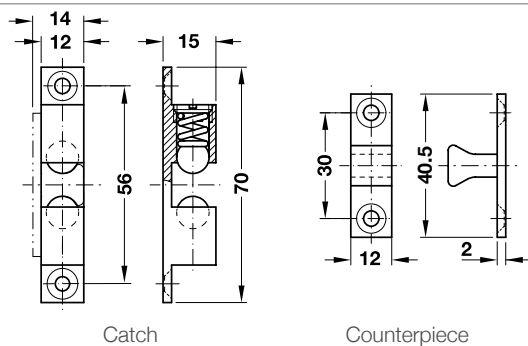
Twin ball catch, 49mm		
Cat. No.		Price* (MYR)
244.20.015	✘	10.00

Packing: 1 or 50 pieces



Twin ball catch, 60mm		
Cat. No.		Price* (MYR)
244.20.016	✘	18.00

Packing: 1 or 50 pieces



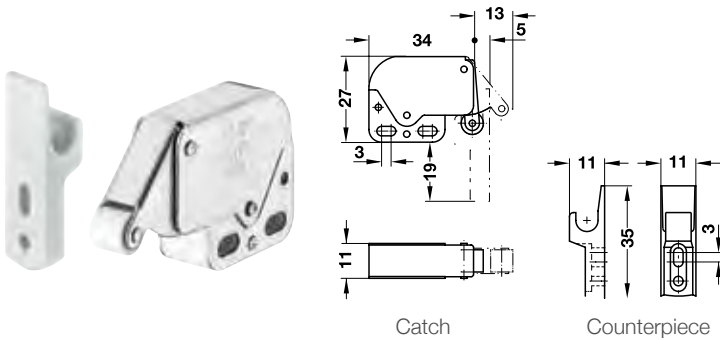
Twin ball catch, 70mm		
Cat. No.		Price* (MYR)
244.20.017	✔	20.00

Packing: 1 or 50 pieces

✔ Stock Item ✘ Freight Item

SPRING CATCH

Require neither handles nor knobs for their operation, specially developed to produce kitchen units and other built-in furniture with completely flush fronts

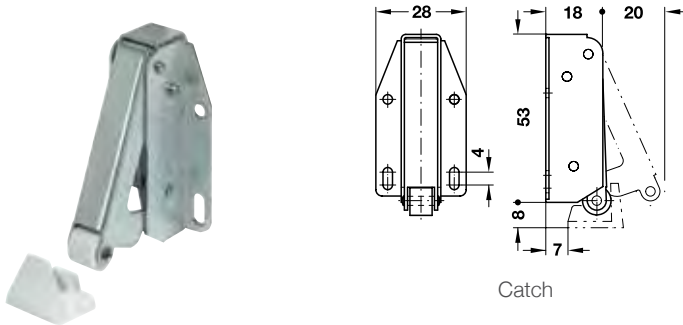


- > Material: Catch: Steel, counterpiece: Plastic
- > Finish/Colour: Catch: Nickel plated/white, counterpiece: White
- > Adjustment facility: Slot
- > Release distance: 2mm

Mini-latch Spring catch

Cat. No.	Price* (MYR)
245.54.701	18.00

Packing: 1, 50 or 400 pieces

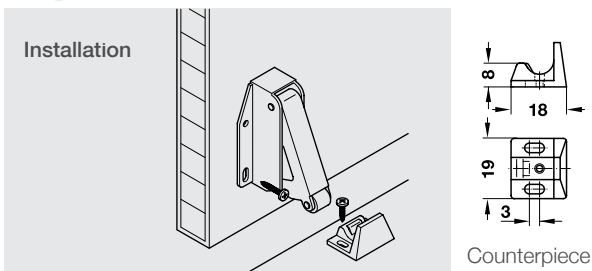


- > Material: Catch: Steel, counterpiece: Plastic
- > Finish/Colour: Catch: Bright galvanized, brass plated or burnished, counterpiece: White
- > Adjustment facility: Slot
- > Release distance: 2mm

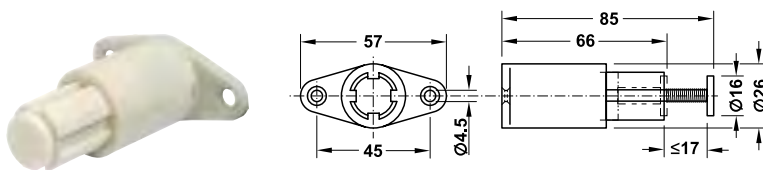
Quick spring catch

Cat. No.	Price* (MYR)
245.55.913	24.00

Packing: 1, 50, or 200 pieces

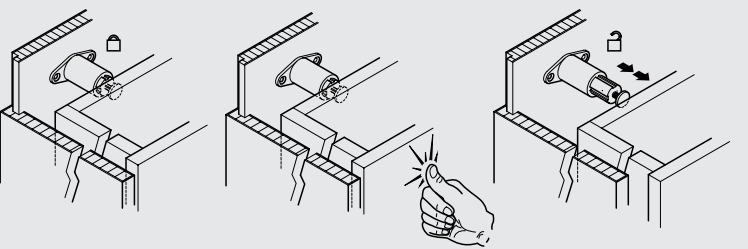


Installation



- > Material: Polyamide
- > Colour: Beige
- > Installation: For screw fixing to the inside of the rear panel
- > Adjustment facility: Depth adjustable up to 19mm

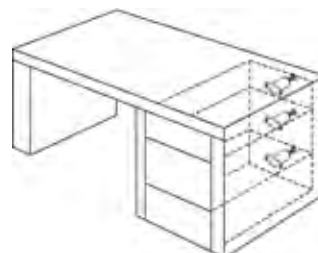
Installation



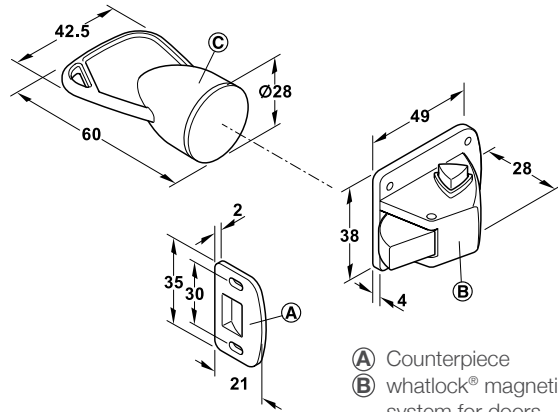
Spring catch

Cat. No.	Price* (MYR)
245.52.403	43.00

Packing: 1 or 50 pieces

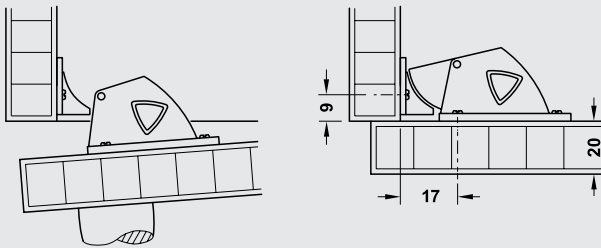


whatlock® Magnetic lock system for doors



- (A) Counterpiece
- (B) whatlock® magnetic lock system for doors
- (C) whatlock® magnet opener

Functionality



The latchbolt is retracted and the door can be opened when presenting the whatlock® magnet opener (not supplied). The latchbolt engages automatically when the door is being closed. The door is secured.

- > Area of application: For all types of doors with thickness of 16 - 25mm, particularly suitable as child protection, the whatlock® magnet opener unlocks the latchbolt so that the door can be opened
- > Material: Plastic
- > Finish/colour: White/blue
- > Version: With adhesive strips
- > Installation: For screw fixing or glue fixing

Item description	Cat. No.		Price* (MYR)
whatlock® magnetic lock system for doors	245.41.792		50.00
whatlock® magnet opener	245.41.798		62.00

Supplied 1 piece latchbolt lock, 1 piece counterpiece and 6 pieces screws Ø3mm
 Packing: 1 or 100 pieces

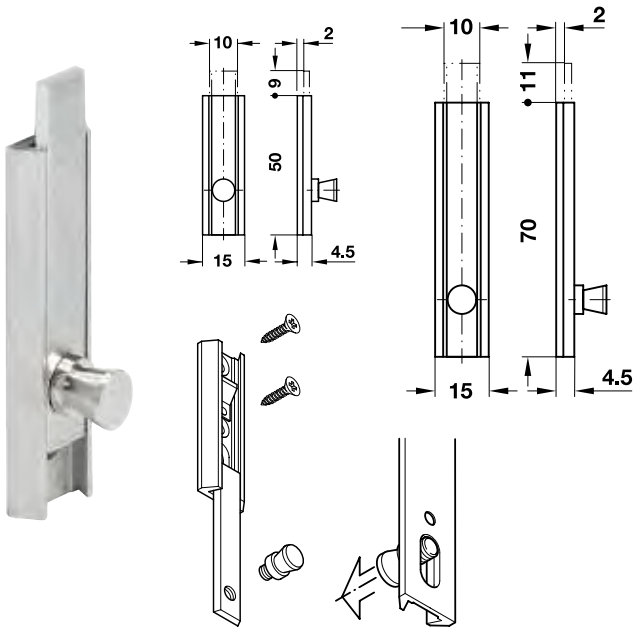


BOLTS

Our furniture bolts are ideal for securing doors in place, without the use of a key. A range of applications will suit a wide variety of furniture designs depending on material finish.

FURNITURE BOLT

→ Concealed screws



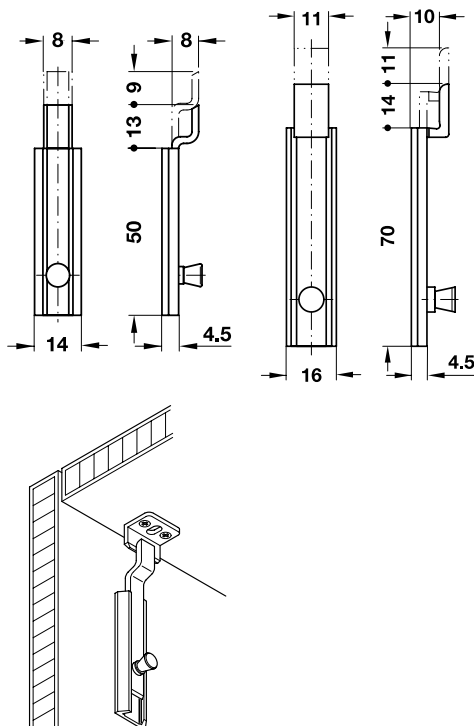
> Material: brass

Furniture bolt with straight slide				
Length mm	Finish	Cat.No.		Price* (MYR)
50	Nickel plated	252.01.629	✘	26.00
	Ground	252.01.227	✘	21.00
70	Nickel plated	252.01.647	✘	25.00
	Polished	252.01.245	✘	24.00

Packing: 20 pieces



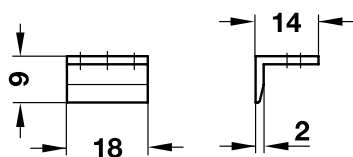
→ Concealed screws



> Material: brass

Furniture bolt with cranked slide				
Length mm	Finish	Cat.No.		Price* (MYR)
50	Nickel plated	252.02.626	✘	141.00
	Ground	252.02.224	✘	114.00
70	Nickel plated	252.02.644	✘	182.00
	Polished	252.02.242	✘	211.00

Packing: 1 or 10 pieces



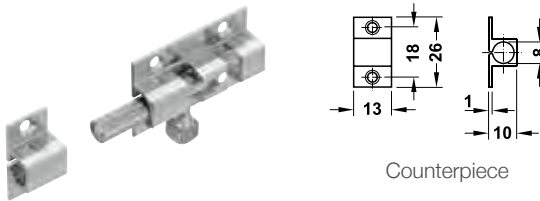
> Material: brass
 > Version: Angled, 2 screw holes and 1 slot
 > Installation: For screw fixing

Angled striking plate			
Finish	Cat.No.		Price* (MYR)
Nickel plated	251.60.703	✘	5.00

Packing: 1 or 100 pieces

Stock Item Freight Item

FURNITURE BOLT AND BARREL BOLT

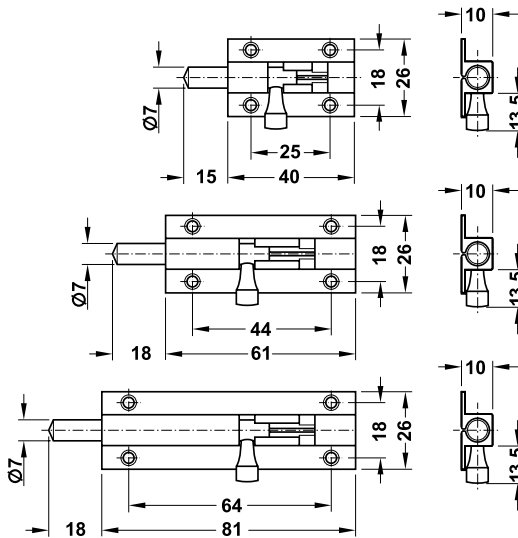


Counterpiece

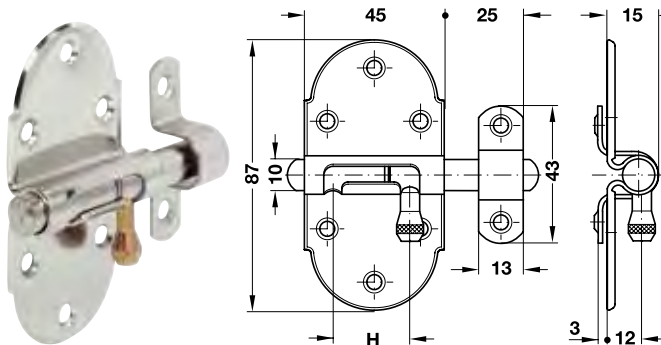
- > Material: brass
- > Finish: Chrome plated

Furniture bolt			
Length mm	Cat.No.		Price* (MYR)
40	252.70.710	✘	26.00
60	252.70.720	✘	35.00
80	252.70.730	✘	42.00

Packing: 1 or 12 pieces



→ Spring loaded



- > Material: Housing, deadbolt, loop: Steel, handle: brass
- > Finish: Polished nickel plated
- > Version: The spring in the deadbolt pushes the handle down

Barrel bolt			
Length mm	Cat.No.		Price* (MYR)
80	252.72.708	✘	68.00

Packing: 1 or 10 pieces



A pioneer in connecting fittings for lightweight panels without frame, Häfele was one of the first companies to develop connectors that make it possible to create extremely robust, load bearing structures using this innovative material.

A close-up photograph of various metal hardware components for cabinet construction, including screws, bolts, and nuts, scattered on a light-colored wooden surface. A prominent red rectangular overlay is positioned in the upper right quadrant, containing the text 'CABINET CONSTRUCTION' in white, uppercase, sans-serif font. The hardware includes a long bolt with a hexagonal head, a shorter bolt with a rounded head, a Phillips-head screw, and several nuts of different sizes. The wood grain is clearly visible, and the lighting is soft, highlighting the metallic textures.

CABINET
CONSTRUCTION



LIGHTWEIGHT
PANEL FITTINGS

IXCONNECT LIGHTWEIGHT PANEL CONNECTING FITTINGS

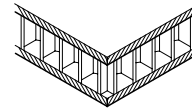
Häfele is a pioneer in connecting fittings for lightweight panels without frame, and was one of the first companies to develop connectors that make it possible to create extremely robust, load-bearing structures using this innovative material

Specifically developed lightweight panel fittings and the existing well-known fittings are available to the building trade and industry for furniture construction with lightweight panels

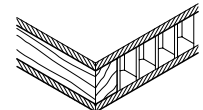
Lightweight panel structure

Lightweight panels consist of three layers (sandwich structure)

- > Top layer (lower and upper), e.g. made from thin chipboard, MDF, solid wood
- > Core, e.g. paper honeycomb, hard foam, lightweight wood
- A frame (wooden edging) is optional in the core area for additional stability (lightweight panel with frame)



Lightweight panel
without frame



Lightweight panel
with frame

Advantages

- > Reduced weight (optimised handling and transport)
- > Ecological because it conserves resources
- > High load bearing capacity and long service life (less sagging/more bending resistance than chipboard)
- > Considerable amount of design freedom due to material properties such as larger span widths, the possibility of larger thicknesses with low weight

Area of application

- > Case goods and post furniture of any kind
- > Kitchen worktops
- > Office and conference tables
- > Shelving systems
- > Designer furniture

Lightweight panel processing

The following applies in general: Avoid concentrated loads and excessive contact pressure during processing. 'Ripping out' at the top layer can be minimised when using machinery and tools. The following must be observed:

- > Sawing: As with solid chipboard, with scribing saw if possible (as per the tool manufacturer's specifications)
- > Drilling: Special serrated drill bit or standard drill bit
- > Milling: Up-cut
- > Coating: Note panel manufacturer's pressure specification
- > Edging: Reinforcing and decorative edging strip with 4 mm top layer, decorative edging strip with 8 mm top layer for panel thickness of up to approx. 40 mm

Hardware solutions for top layer/core of lightweight panels

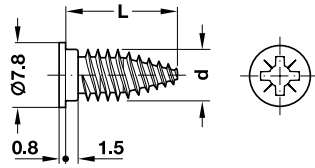
Due to the lightweight panel's structure pressure, pull-out and shearing forces occurring at joints can only be absorbed by the core to some extent. The challenge in the development of fittings lies in finding ways of absorbing and removing these forces

Currently available fittings for lightweight panels:

- > Häfele developed the Varianta HC special screw for top layers from 4 mm and above to lead occurring forces into the top layer.
- > A variable screw-on point (insert - Aerofix 100) which mechanically and chemically connects the upper top layer with the lower top layer developed for top layers of 4 mm and above
- > Specially developed K.D. connectors provide stable corner solutions for case goods and post furniture
- > Other special fittings provide solutions
 - for distributing point to surface loads for shelf supports
 - for preventing the rear panels from sagging into the core

The load bearing capacity of the fittings and connections depend on the fittings that are used, the construction method and type of lightweight panel and the top layer thereof. During construction it must be ensured that pressure forces are not led away at individual points but over an area that is as extensive as possible. In case of doubt with higher requirements, a sample fitting must be manufactured so that the load bearing capacity can be verified

AEROFIX 100

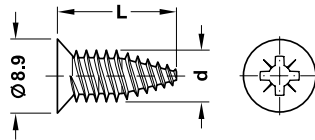


Cylindrical head

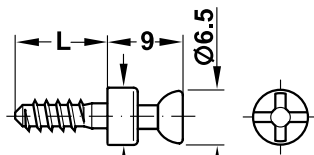
- > Area of application: For lightweight panels **with a top layer thickness of 4 mm and above**, irrespective of the type of core
- > Material: Steel
- > Finish: Galvanized
- > Drive: PZ2 cross slot
- > For drill hole Ø: 3 or 5 mm

Häfele Varianta HC Special screw					
For drill hole Ø mm	Thread Ø d mm	Thread length L mm	Cat.No.		Price* (MYR)
Cylindrical head					
3	5.5	14	013.30.900	✘	0.24
5	6.2	14	013.30.910	✘	0.27
Countersunk head					
5	7	13	039.70.504	✘	0.30

Packing: 100 or 1000 pieces



Countersunk head



- > Area of application: For lightweight panels **with a top layer thickness of 4 mm** in combination with Aerofix 100, can also be used for standard Rafix housings
- > Material: Steel
- > Thread: Special thread
- > Drive: PZ2 cross slot

S20 Connecting bolt				
Thread length L mm	Finish	Cat.No.		Price* (MYR)
11	Galvanized	263.20.805	✘	0.44

Packing: 100 or 1000 pieces

AEROFIX 100 ADHESIVE INSERT



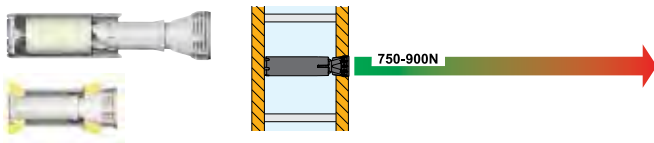
Häfele developed the Aerofix 100 adhesive insert as a variably adjustable screw-on point for lightweight panels with a top layer of 4 mm, also known as an adhesive dowel. The insert makes it possible to absorb high pressure, pull and shearing forces.

In order to absorb the forces the Aerofix 100 bypasses the core mechanically and chemically and therefore connects the two 4 mm top layers, achieving considerably better pull-out resistance than sleeves that are fitted at one side. Possible thickness differences in lightweight panels are easily compensated for.

The housing engages mechanically into the upper top layer providing a secure connection, and lies flat against the lower top layer. Therefore the mounting lugs must engage beneath the top layer. An extremely expansive single component PUR adhesive is metered by storing it in the housing in an integrated adhesive cartridge. When the insert is pushed into the drill hole, the inner element is pushed into the housing and the adhesive is forced out of the cartridge. Therefore the chemical process is triggered, without having to use additional tools to apply the adhesive.

Fully cured within 16 hours.

Application with Rafix HC

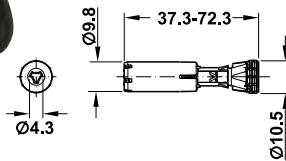


- Ⓐ Adhesive cartridge
- Ⓑ Housing
- Ⓒ Inner part

Lightweight panel with 4 mm thin chip-board top layer

Pull-out strengths

Aerofix 100 Adhesive insert



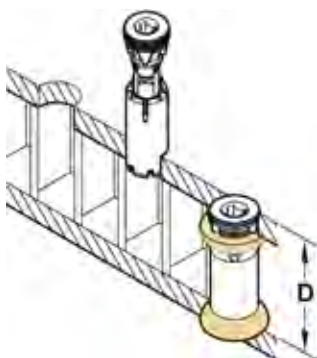
- > Area of application: For use as variably positioned fixing point, for lightweight panels with top layers from 4 mm and above and expansion option for adhesive and mounting lugs in the core
- > Material: Plastic, extremely expansive single component PUR adhesive
- > For drill hole \varnothing : 10 mm

Installation

The Aerofix 100 is fitted by drilling a hole in the panel from above (manually or using a machining centre (CNC)) and is then inserted. With continuous automatic processes the fitting is inserted from below. No additional special attached parts for gluing or applying adhesive are required.

Drill **10 mm hole** into top layer in required position.

Drilling depth D = panel thickness - top layer thickness



Insert the Aerofix 100 into the drill hole. Then **press in**. The adhesive is forced out of the cartridge and distributes itself.

Attention:

Bolts, screws and fittings can be screwed in immediately after inserting the Aerofix, but may not be subjected to full load immediately. The full load bearing capacity is not reached until the adhesive is fully cured, after approx. 16 hours.

Installation reference

In order to guarantee a secure grip of the Aerofix 100, it must be ensured during the drilling process that the core and its residual adhesive is removed within the drill hole area.

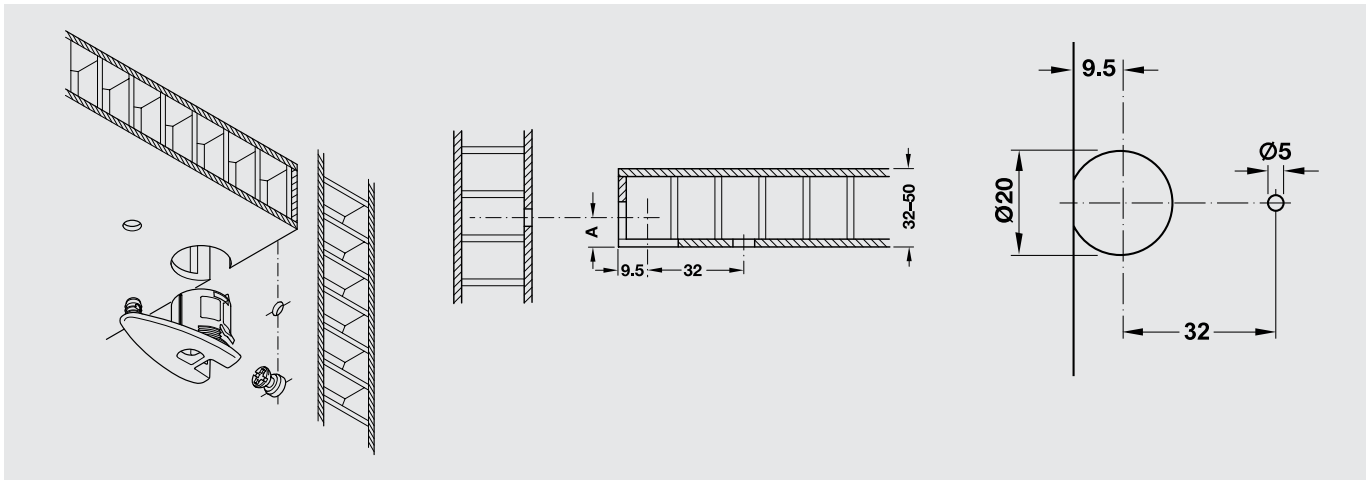
The following can be screwed into the adhesive insert:

- . 3.5 and 4.0 mm chipboard screws
- . 3.0 mm Varianta screws
- . 3.0 mm Rafix connecting bolts

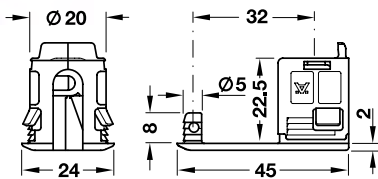
Cat. No. 263.20.805 page x.xx

For panel thickness mm	Packing pieces	Cat.No.		Price* (MYR)
32	100 or 1000	039.70.324	✗	9.00
50	100 or 500	039.70.504	✗	9.00

RAFIX 20 HC RTA CONNECTOR



Häfele Rafx 20 HC Connector housing



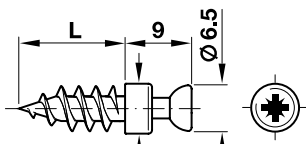
- > Area of application: For lightweight panels with top layers of 4 mm and expansion option for mounting lugs in the core
- > Material: Boss insert: Plastic, tightening element: Zinc alloy
- > Drill hole \varnothing : Boss insert 20 mm, dowel 5 mm
- > Drive: PZ2 cross slot

> For wood thickness from 32mm

For panel thickness mm	Dim. A mm	Drilling depth D mm	Colour	Cat.No.	Price* (MYR)
32 - 50	16	22.5	Black	263.18.302	3.00
			Nickel colour lacquered	263.18.602	5.00

Packing: 100

Häfele Rafx M20 Connecting bolt

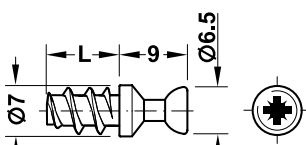


- > Area of application: Also suitable for hardwood
- > Drive: PZ2 cross slot
- > Features: Excellent drive provides a secure grip of the PZ2 screwdriver in the bolt head, extremely sharp thread
- > Material: Steel
- > Finish: Galvanized

> For drill hole 5 mm, with special thread, steel

Thread length L mm	Cat.No.	Price* (MYR)
12	263.20.981	0.49

Packing: 100 or 1000 pieces



- > Drive: PZ2 cross slot
- > Features: Excellent drive provides a secure grip of the PZ2 screwdriver in the bolt head
- > Material: Zinc alloy
- > Finish: Bright

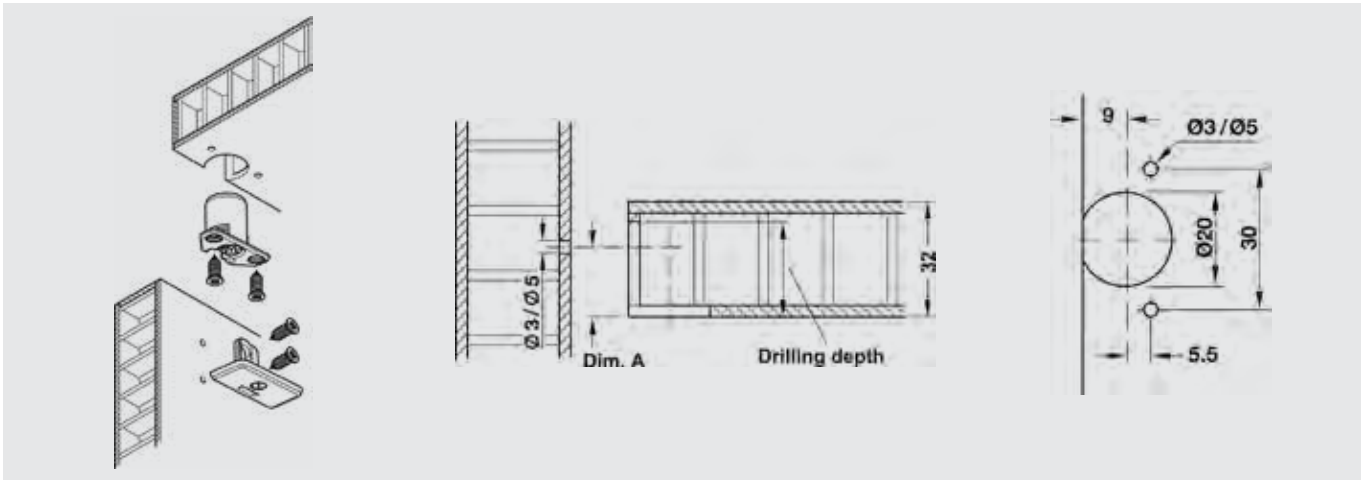
> For drill hole 5 mm, with special thread, zinc alloy

Thread length L mm	Cat.No.	Price* (MYR)
7.5	263.20.131	0.35

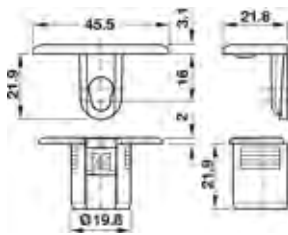
Packing: 100 or 2000 pieces

Stock Item Freight Item

TAB 20 HC RTA CONNECTOR



Häfele Tab 20 HC Connector housing



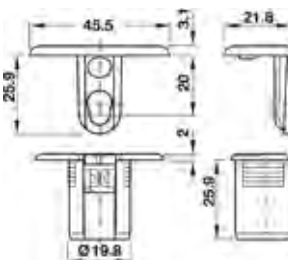
- > Area of application: For lightweight panels without frame **with top layers from 4 mm and above** irrespective of the structure of the core, for post furniture
- > Material: Support and tightening element: Zinc alloy, boss insert: Plastic
- > Finish: Support and tightening element: Nickel plated, boss insert: Untreated
- > Drill hole q: Boss insert 20 mm
- > Drive: PZ2, PH2 or flat blade
- > Installation: With Varianta HC screw 3 or 5 mm

> For panel thickness from 32mm

For panel thickness mm	Dim. A mm	Drilling depth D mm	Cat.No.	Price* (MYR)
32 - 50	16	22	263.95.732	6.00

Packing: 100 pieces

Häfele Tab 20 HC Connector housing



- > Area of application: For lightweight panels without frame **with top layers from 4 mm and above** irrespective of the structure of the core, for post furniture
- > Material: Support and tightening element: Zinc alloy, boss insert: Plastic
- > Finish: Support and tightening element: Nickel plated, boss insert: Untreated
- > Drill hole q: Boss insert 20 mm
- > Drive: PZ2, PH2 or flat blade
- > Installation: With Varianta HC screw 3 or 5 mm

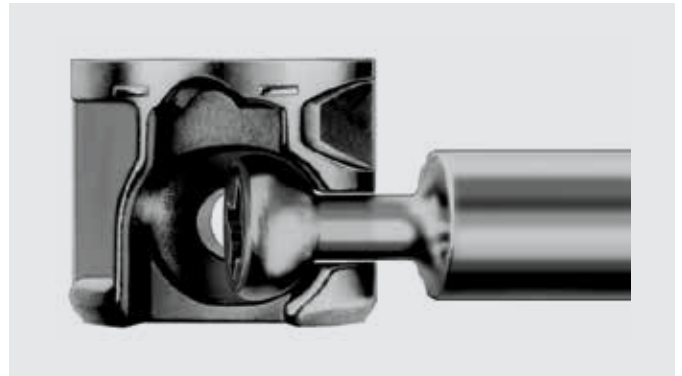
> For panel thickness from 40mm

For panel thickness mm	Dim. A mm	Drilling depth D mm	Cat.No.	Price* (MYR)
40 - 60	20	26.5	263.95.735	6.00

Packing: 100 pieces

HÄFELE MINIFIX CABINET CONNECTOR

THE JACK-OF-ALL-TRADES AMONG CABINET CONNECTORS



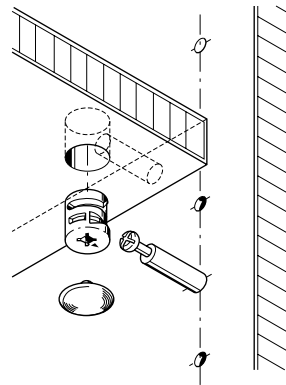
This connector provides firm, positive-fitting connections despite its small design and even after repeated slackening and re-tightening.

The Minifix cabinet connector system is based on the centric principle. This made it possible to develop a connector with a small connector housing with an integrated large tightening and supporting surface. The hemispherical head of the bolt fits exactly in the centre of the cup-shaped recess in the Minifix housing, and is firmly tightened.

Advantages of Minifix

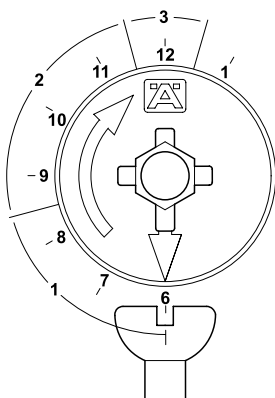
- > No offsetting of shelves against the side panels, because the bolts are centrally guided
- > The long tightening distance of more than 5 mm with just half of a turn of the housing compensates for drill hole tolerances of +1 mm to approx. -0.5 mm without loss of efficiency
- > Tension is rapidly achieved as the housing is tightened before the arrow reaches the stop (195°)
- > Reliable and secure tightening is provided even after repeated slackening and re-tightening
- > Flexible combinations of bolts and housings within the Minifix system is provided by the compatibility of all components
- > Decorative, elegant shape

Installation reference



- > The Minifix system is suitable for wood thicknesses from 12 mm and above
- > The drill hole Ø for the housing is 12 mm for Minifix 12 and 15 mm for Minifix 15
- > For correct installation and tightening, the housing must be installed with the arrow pointing directly towards the bolt
- > A positive-fit connection is reached with PZ2 cross slot, SW4 hexagon socket or flat blade, depending on the connector housing

The Minifix "clockface"



The Minifix "clockface" shows the tightening distance A that has **3 travel segments** with different functions:

1. Closing distance:

0 – 75° (6 to 8.30) = 3.2 mm pull

The bolt head is drawn into the centre of the housing (no tightening occurs within this segment).

2. Tightening distance:

75 – 165° (8.30 to 11.30) = 2 mm pull

The connection is securely tightened.

Tightening occurs at 120° (10 o'clock), provided that exactly the correct drill hole size has been used. Optimum tightening position will be reached at 165° (11.30).

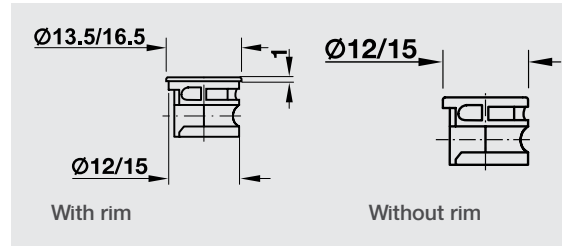
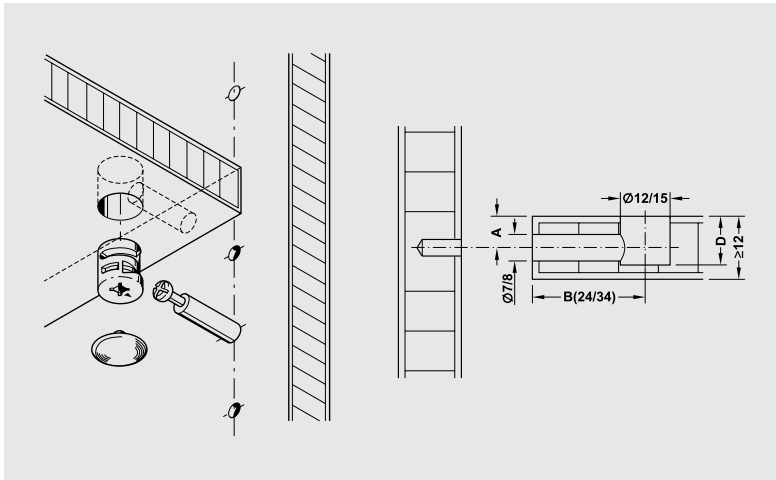
3. Retightening distance

165 – 195° (11.30 to 12.30) = 0.5 mm pull

The retightening distance is only required if

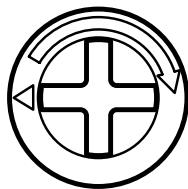
- > the drill hole sizes vary,
- > a furniture item has already been assembled and disassembled several times, or
- > a furniture item was subjected to severe loadings

MINIFIX SYSTEM



- > Material: Zinc alloy
- > For housing q: 12 or 15 mm
- > Bolt hole: Ø 7 or 8 mm, depending on choice of connecting bolt
- > Drilling distance B: Distance from centre of Minifix housing to shelf front edge (24 or 34 mm), depending on choice of connecting bolt
- > For all connecting bolts from the Minifix system

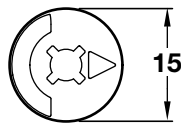
Häfele Minifix Connector housing



> Minifix 12 without rim, wood thickness from 12 mm

For panel thickness mm	Drilling depth D mm	Dim. A mm	Drive	Cat.No.	Price* (MYR)
from 12	16	7.5	PZ2 cross slot or flat blade	262.17.020	✘ 0.40

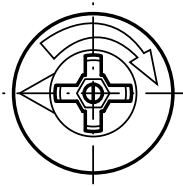
Packing: 100 or 1,000 pieces



> Minifix 15 without rim, wood thickness from 15 mm

For panel thickness mm	Drilling depth D mm	Dim. A mm	Drive	Cat.No.	Price* (MYR)
from 15	9.5 ^{+0.5}	6	PZ cross slot, flat blade or SW4 hexagon socket	262.26.042	✔ 0.26

Packing: 2000 or 160,000 pieces

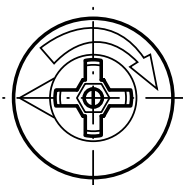


For panel thickness mm	Drilling depth D mm	Dim. A mm	Drive	Cat.No.	Price* (MYR)
From 16	12.5 ^{+0.5}	7.5	PZ2 cross slot, flat blade or SW4 hexagon socket	262.26.033	✔ 0.60
From 18	13.5 ^{+0.5}	9		262.26.034	✔ 0.63

Packing: 100 or 2,000 pieces

For panel thickness mm	Drilling depth D mm	Dim. A mm	Drive	Cat.No.	Price* (MYR)
from 16	12.5 ^{+0.5}	7.5	socket	262.26.533	✔ 0.74

Packing: 100 or 2,000 pieces



> Minifix 15 without rim, wood thickness from 12 mm

For panel thickness mm	Drilling depth D mm	Dim. A mm	Drive	Cat.No.	Price* (MYR)
from 12	9.5 ^{+0.5}	6	PZ2 cross slot, flat blade or SW4 hexagon socket	262.26.070	✔ 0.72

Packing: 100 or 1,000 pieces

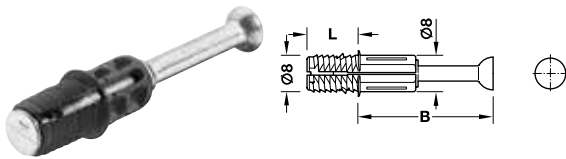
HÄFELE MINIFIX C100 SPREADING BOLT

- > Area of application: For one-sided installation
- > Material: Bolt: Zinc alloy, spreading sleeve: Plastic
- > Installation: Without tools

Functionality

When the connector is tightened the double taper on the bolt spreads the sleeve and forces the threads into the wood. The stronger the tightening force acts, the securer the connection.

- > The door is pulled into the pocket automatically
- > The unique scissor technology allows large and heavy doors to be implemented
- > Suitable for room partitioning solutions as there is no need for a base panel and top panel in wall recesses
- > Sets are suitable for left and right hand use
- > Wall recesses are concealed without the need for a cabinet
- > All adjustments are carried out from the front

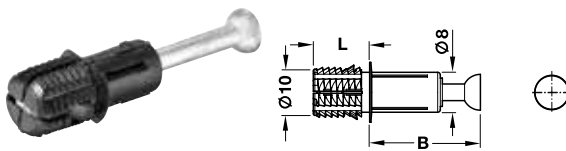


> Thread: Spreading sleeve

> For 8 mm drill hole

For wood thickness mm	Thread length L mm	Drilling distance B mm	Cat.No.	Price* (MYR)
from 15	11.5	24	262.09.202	✗ 0.70
		34	262.09.302	✗ 0.70

Packing: 100 or 2,000 pieces



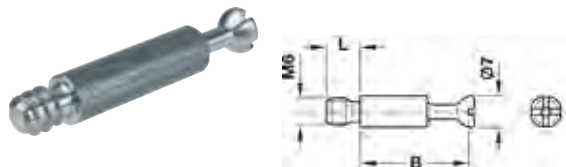
> Thread: Spreading sleeve

> For 10 mm drill hole

Thread length L mm	Drilling distance B mm	Cat.No.	Price* (MYR)
11.5	24	262.09.211	✗ 0.62
	34	262.09.311	✗ 0.86

Packing: 100 or 2,000 pieces

Häfele Minifix S100 Connecting bolt



- > Material: Steel
- > Thread: Special thread
- > Drive: PZ2 cross slot and flat blade

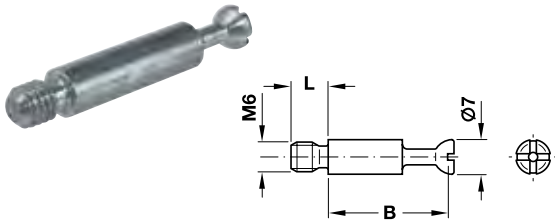
> For 5 mm drill hole

Thread length L mm	Drilling distance B mm	Finish	Cat.No.	Price* (MYR)
8	24	Bright	262.27.020	✗ 0.50
	34		262.28.020	✗ 0.50
11	24		262.27.029	✗ 0.51
	34		262.28.026	✗ 0.40
15	24		262.27.234	✗ 0.50
	34		262.28.231	✗ 0.51
8	24	Galvanized	262.27.920	✗ 0.50
	34		262.28.920	✗ 0.59
11	24		262.27.921	✗ 0.60
	34		262.28.928	✗ 0.51
15	24		262.27.832	✗ 0.60
	34		262.28.839	✗ 0.63
11	24	Yellow	262.27.574	🏠 0.37
	34	Galvanized	262.28.571	🏠 0.42

Packing: 100 or 1,000 pieces

🏠 Stock Item ✗ Freight Item

Häfele Minifix S100 Connecting bolt

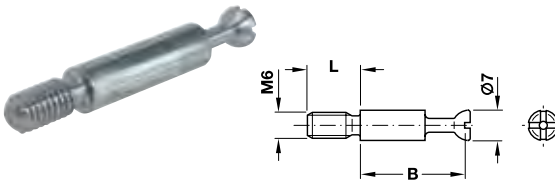


- > Material: Steel
- > Drive: PZ2 cross slot and flat blade
- > Bolt hole: 8mm

> With M6 thread

Thread length L mm	Drilling distance B mm	Finish	Cat.No.	Price* (MYR)
7.5	24	Bright	262.27.047	✗ 0.49
	34		262.28.044	✗ 0.40
	24	Galvanized	262.27.949	✗ 0.60
	34		262.28.946	✗ 0.44
	24	Yellow Galvanized	262.27.592	✗ 0.35
	34		262.28.599	✗ 0.40

Packing: 100 or 1,000 pieces



Thread length L mm	Drilling distance B mm	Finish	Cat.No.	Price* (MYR)
12	34	Galvanized	262.28.041	✗ 0.39
	24		262.27.941	✗ 0.51
	34	262.28.941	✓ 0.55	

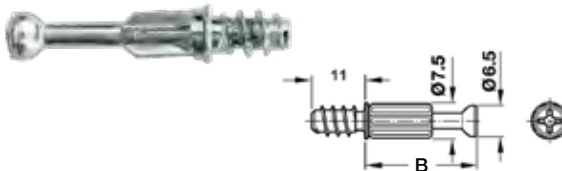
Packing: 100 or 1,000 pieces



M6 glue-in sleeves

For drill hole Ø mm	Material	Length L mm	Cat.No.	Price* (MYR)
10	Polyamide	11	039.33.266	✓ 0.28

Packing: 100 or 1,000 pieces



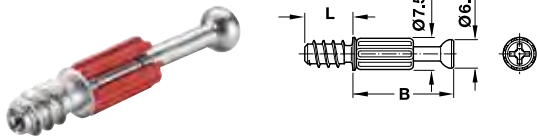
- > Material: Steel
- > Drive: PZ2 cross slot

> For 8 mm drill hole

Thread length L mm	Drilling distance B mm	Finish	Cat.No.	Price* (MYR)
11	24	Bright	262.27.666	✓ 0.19

Packing: 2000 or 160,000 pieces

Häfele Minifix S200 Connecting bolt



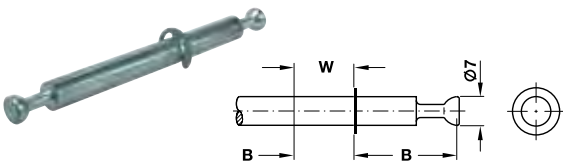
- > Material: Steel, shank: Plastic
- > Thread: Special thread
- > Drive: PZ2 cross slot

> For 5 mm drill hole

Thread length L mm	Drilling distance B mm	Finish	Cat.No.	Price* (MYR)
8.5	24	Bright	262.27.680	✘ 0.47
	34			
11	24		262.27.670	✘ 0.48
	34		262.28.670	✘ 0.70
11	24	Galvanized	262.27.689	✔ 0.55
	34		262.28.689	✘ 0.53
11	24		262.27.679	✔ 0.70
	34		262.28.679	✘ 0.54

Packing: 100 or 2,000 pieces

Double-ended bolts

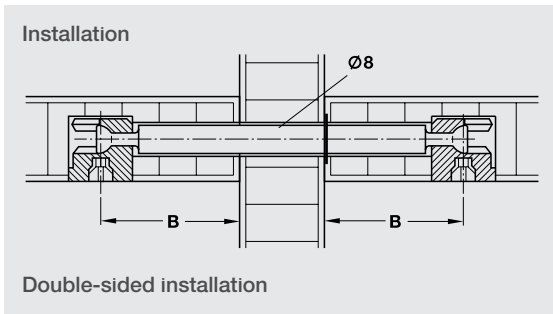


- > Material: Steel
- > Finish: Galvanized
- > Area of application: For double-sided installation/centre panels
- > Bolt hole: 8 mm

> With snap ring

Panel thickness W mm	Drilling distance B mm	Finish	Cat.No.	Price* (MYR)
16	24	Galvanized	262.27.805	✘ 1.51
	34		262.28.802	✘ 2.00

Packing: 100 or 500 pieces



HAFELE RAFIX 20 AND 30 CABINET CONNECTORS

Rafix system information

The advantages are:

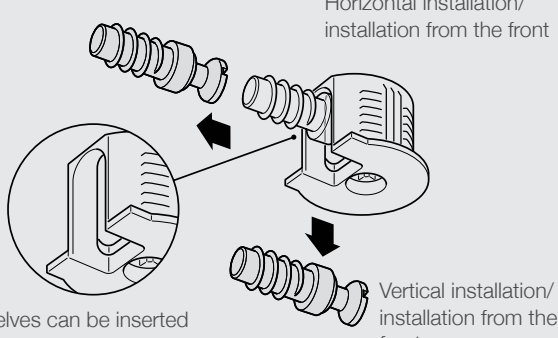
- > Secure tightening, even after repeated slackening and re-tightening
- > No displacement of side panels, because bolts are centrally guided
- > Tolerances are compensated for by long tightening distance
- > Comfortable tightening with drive tool in 25° position
- > All drilling operations take place on a flat surface

Rafix 20		<ul style="list-style-type: none"> > Connector housing made from zinc alloy or plastic > Connector housing without dowel > With tightening element for tightening and fixing of the components > Only one drill hole > Small design > With or without ridge
		<ul style="list-style-type: none"> > Connector housing made from zinc alloy or plastic > Connector housing with dowel > With tightening element for tightening and fixing of the components > Can be used for alignment, the dowel provides accurate positioning > Better pull-out strengths > Valuable, robust appearance
Rafix 20 Tab		<ul style="list-style-type: none"> > Shelf connector housing made from plastic > Shelf connector without dowel > Without tightening element > With design and drilling dimensions identical to Rafix 20 > Tightening in slightly angled position > Installation and removing by pushing on and lifting the connecting bolt, no tools required > With rim
Rafix 30		<ul style="list-style-type: none"> > Connector housing made from plastic > Connector housing with dowel > With tightening element made from zinc alloy for tightening and fixing of the components > Can be used for alignment, the dowel provides accurate positioning > High tolerance range (± 0.5 mm), compensation through long tightening distance (2.5 mm) > High pull-out resistance values > For heavy loads

Installation

The Raix 20 and 30 have two types of recess to accommodate a connecting bolt:

① Without ridge:

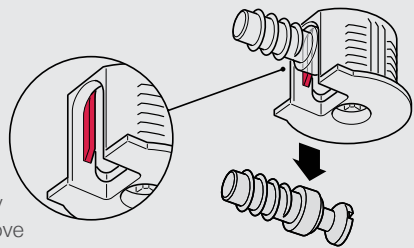


Horizontal installation/
installation from the front

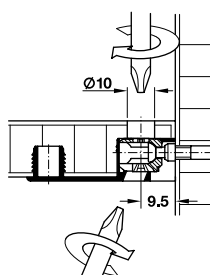
The shelves can be inserted
from the front and from above.

Vertical installation/
installation from the
front

② With ridge:



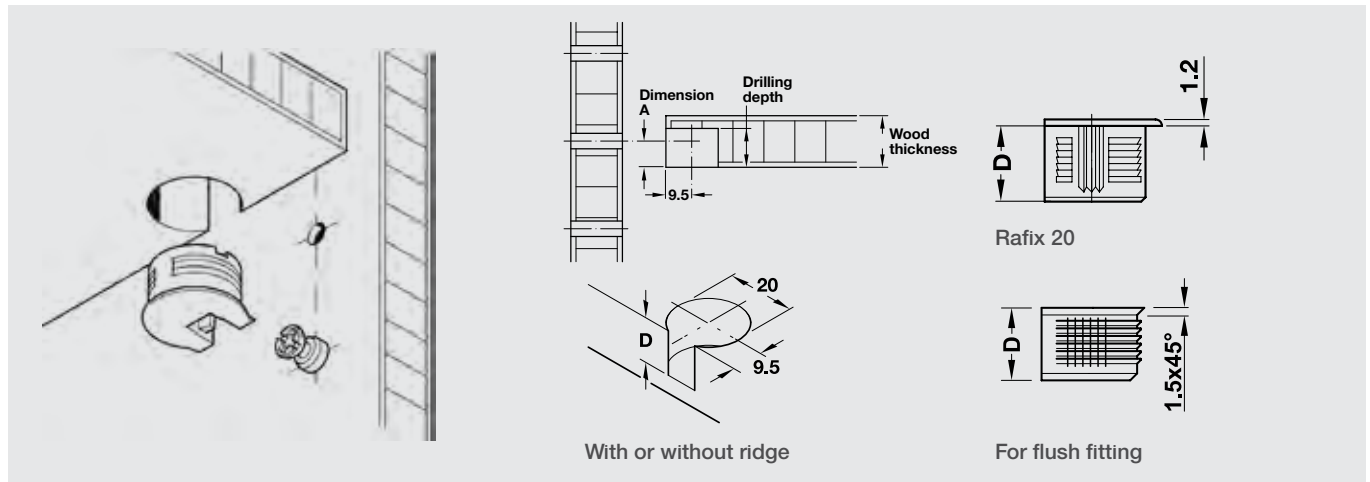
The shelves can only
be inserted from above
(vertical installation/installation
from above); The components
are therefore pre-fixed.



Access from above to the tightening element is possible due to the specially designed housing. Concealed installation of the connectors is therefore possible (e.g. with shelves) and tightening via a $\text{Ø} 10$ mm through hole. The through hole is then concealed using a cover cap. Comfortable tightening of the connector from underneath with screwdriver in 25° position.

HÄFELE RAFIX 20

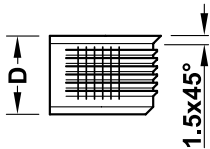
Connector housing without dowel



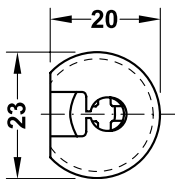
- > Material: Plastic, zinc alloy tightening element
- > Drive: PZ2 cross slot



White, RAL 9003



Beige, RAL 1015



Brown, RAL 8014



Black, RAL 9004



White aluminium, RAL 9006

> Rafx 20 without dowel, plastic, with tightening element

For wood thickness mm	Drilling depth D mm	Dim. A mm	Finish	Cat.No.	Price* (MYR)	
With ridge						
16	12.7 ^{+0.2}	8.0	Beige, RAL 1015	-	✗	-
			Brown, RAL 8014	263.14.103	✗	1.31
			Black, RAL 9004	-	✗	-
			White, RAL 9003	263.14.703	✗	1.30
			White aluminium RAL 9006	263.14.203	✗	1.30
19	14.2 ^{+0.2}	9.5	Beige, RAL 1015	263.14.405	✗	1.32
			Brown, RAL 8014	263.14.105	✗	1.32
			Black, RAL 9004	-	✗	-
			White, RAL 9003	263.14.705	✗	1.32
			White aluminium RAL 9006	263.14.205	✗	1.84
Without ridge						
16	12.7 ^{+0.2}	8.0	Beige, RAL 1015	263.10.403	✗	1.31
			Brown, RAL 8014	263.10.103	✗	1.31
			Black, RAL 9004	263.10.303	✗	1.31
			White, RAL 9003	263.10.703	✗	1.31
			White aluminium RAL 9006	263.10.203	✗	1.31
19	14.2 ^{+0.2}	9.5	Beige, RAL 1015	263.10.405	✗	1.38
			Brown, RAL 8014	263.10.105	✗	1.38
			Black, RAL 9004	263.10.305	✗	1.38
			White, RAL 9003	263.10.705	✗	1.38
			White aluminium RAL 9006	263.10.205	✗	1.38

Packing: 100 or 1,000 pieces

Stock Item Freight Item

HÄFELE RAFIX 20

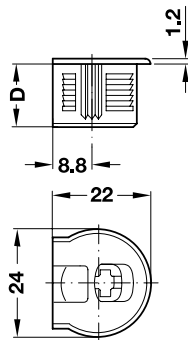
Connector housing without dowel



Nickel plated



Burnished



- > Material: Zinc alloy, zinc alloy tightening element
- > Drive: PZ2 cross slot

> Rafx 20 without dowel, zinc alloy, with tightening element

For wood thickness mm	Drilling depth D mm	Dim. A mm	Finish	Cat.No.	Price* (MYR)	
With ridge						
16	12.7 ^{+0.2}	8.0	Burnished	-	-	
			Nickel plated	263.15.703	✈	3.18
19	14.2 ^{+0.2}	9.5	Burnished	263.15.105	✈	3.53
			Nickel plated	263.15.705	✈	3.17
Without ridge						
16	12.7 ^{+0.2}	8.0	Burnished	-	-	
			Nickel plated	263.11.703	✈	3.15
19	14.2 ^{+0.2}	9.5	Burnished	263.11.105	✈	3.47
			Nickel plated	263.11.705	✈	3.10

Packing: 100 or 500 pieces



White, RAL 9003



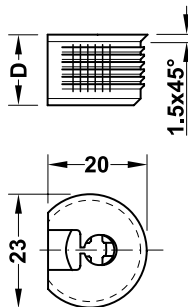
Beige, RAL 1015



Brown, RAL 8014



Black, RAL 9004



- > Material: Plastic, zinc alloy tightening element
- > Version: With countersunk rim for flush fitting
- > Drive: PZ2 cross slot

> Rafx 20 for flush mounting, plastic, with tightening element

For wood thickness mm	Drilling depth D mm	Dim. A mm	Finish	Cat.No.	Price* (MYR)	
Without ridge						
16	12.7 ^{+0.2}	8.0	Beige, RAL 1015	-	-	
			Brown, RAL 8014	263.50.103	✈	1.83
			Black, RAL 9004	-	-	
			White, RAL 9003	263.50.703	✈	1.83
19	14.2 ^{+0.2}	9.5	Beige, RAL 1015	263.50.405	✈	1.45
			Brown, RAL 8014	263.50.105	✈	1.45
			Black, RAL 9004	263.50.305	✈	1.45
			White, RAL 9003	263.50.705	✈	1.45

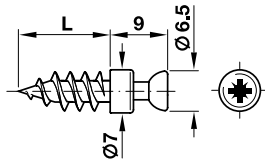
Packing: 100 or 1,000 pieces

HÄFELE RAFIX 20

Connector housing without dowel



Häfele Rafx M20 Connecting bolt

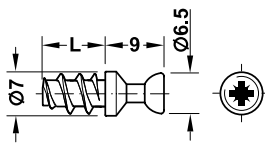


- > Material: Steel
- > Area of application: Also suitable for hardwood
- > Drive: PZ2 cross slot
- > Features: Excellent drive provides a secure grip of the PZ2 screwdriver in the bolt head, extremely sharp thread

> For drill hole Ø 5 mm, with special thread, steel

Thread length L mm	Finish	Cat.No.	Price* (MYR)
12.0	Galvanized	263.20.981	0.49

Packing: 100 or 1000 pieces



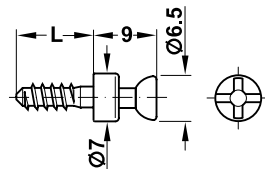
- > Material: Zinc alloy
- > Drive: PZ2 cross slot
- > Features: Excellent drive provides a secure grip of the PZ2 screwdriver in the bolt head

> For drill hole Ø 5 mm, with special thread, Zinc alloy

Thread length L mm	Finish	Cat.No.	Price* (MYR)
7.5	Bright	263.20.131	0.40

Packing: 100 or 2000 pieces

Häfele Rafx S20 Connecting bolt



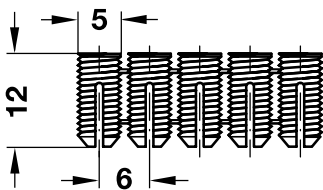
- > Material: Steel
- > Drive: PZ2 cross slot and flat blade

> For drill hole Ø 3 mm, with special thread

Thread length L mm	Finish	Cat.No.	Price* (MYR)
11.0	Galvanized	263.20.810	0.58

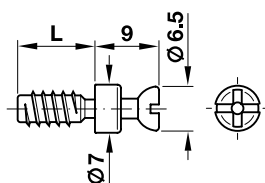
Packing: 100 or 2000 pieces

Spreading sleeves, strip of sleeves



For drill hole Ø mm	Length L mm	Material	Cat.No.	Price* (MYR)
5.0	12	Polyamide	042.98.051	0.17

Packing: 1000 or 5000 pieces



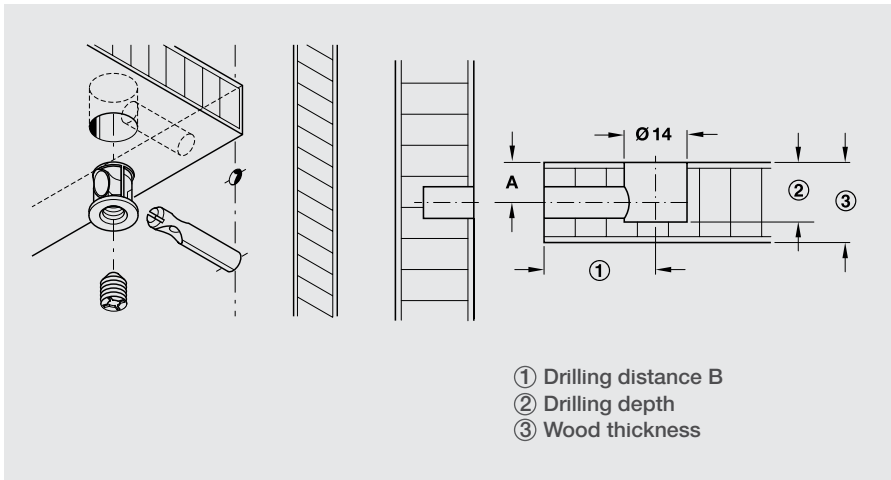
> For drill hole Ø 5 mm, with special thread

Thread length L mm	Packing pieces	Finish	Cat.No.	Price* (MYR)
11.0	100 or 1000	Bright	263.20.141	0.54
15.0			263.20.150	0.49
11.0	100 or 2000	Galvanized	263.20.847	0.51
15.0			263.20.856	0.51

Packing: 1000 or 5000 pieces

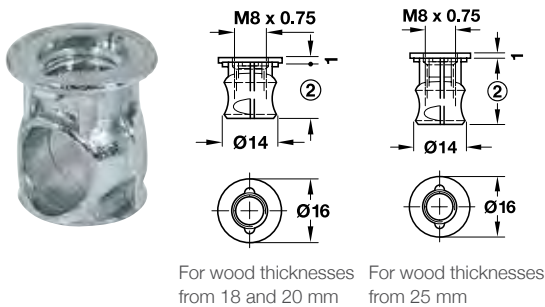
Stock Item Freight Item

STABLOFIX



- > Diameter: Connector housing 14 mm
- > For wood thickness: from 18 mm
- > Dim. A: Distance from centre of bolt hole to top edge of connector housing
- > Drilling depth: 14.5 – 18 mm

Stablofix Connector housing



- > Material: Zinc alloy
- > Finish: Galvanized

> With rim, for wood thicknesses from 18 mm

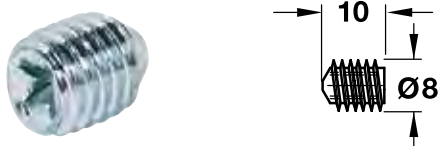
For wood thickness mm	Dim.A mm	Drilling depth mm	Cat.No.	Price* (MYR)
18	9	14.5	262.88.904	1.54
25	12.5	18.0	262.88.908	1.77

Packing: 10 or 1,000 pieces

Order reference

Fixing screw not supplied. Please order separately.

Fixing screw (For connector housing)

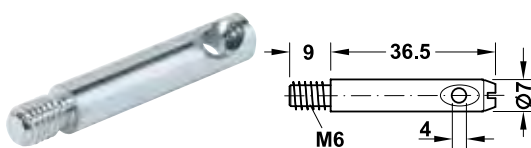


- > Material: Zinc alloy
- > Finish: Galvanized

Thread	For wood thickness mm	Length mm	Cat.No.	Price* (MYR)
M8 x 0.75	18	8.5	262.88.994	1.16
	20	10	262.88.990	1.14

Packing: 10 or 1,000 pieces

Connecting bolt



- > Material: Steel
- > Finish: Galvanized
- > Thread: M6

> For Ø 7.5 mm drill hole

Thread length L mm	Drilling distance B mm	Cat.No.	Price* (MYR)
9	28.5	262.88.954	1.71

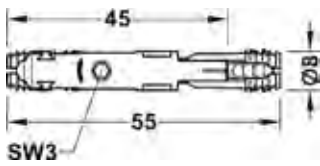
Packing: 10 or 1,000 pieces

IXCONNECT SC 8/60 SPREADING CONNECTOR



- > Material: Plastic/zinc alloy
- > Finish/colour: Red/grey
- > Area of application: For concealed installation of cabinet connections in chipboard
- > For wood thickness: From 15 mm
- > Installation: Plug fitting into drill hole \varnothing 8 mm without tools, the connector expands with a 180° turn of the tightening screw with SW3 hexagon socket.

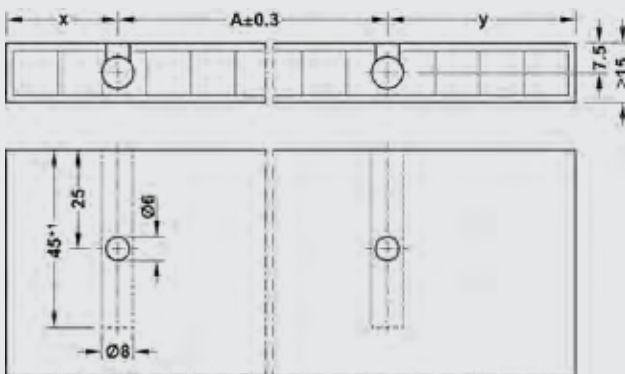
- > One-piece connector
- > Can also be used as cabinet connector for large furniture items
- > Quick and easy installation
- > For concealed applications, only a 6 mm drill hole for securing the connector is visible after installation
- > Separable connection



Cat.no.	Price* (MYR)
262.11.117	3.00

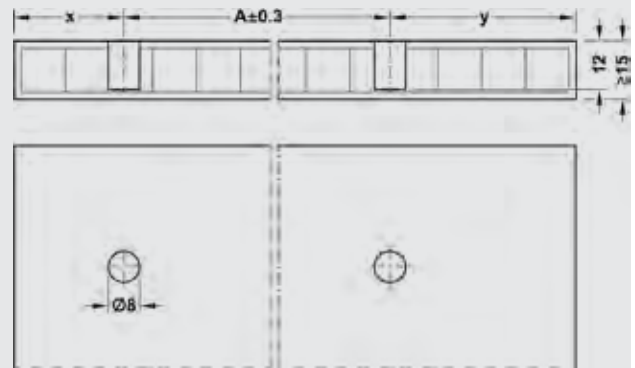
Packing: 100, 2000 or 160000 pieces

Drilling pattern



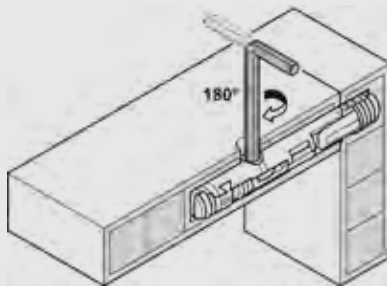
Shelf preparation details
 Drill \varnothing 8 mm hole
 The \varnothing 6 mm drill hole can be drilled from above or underneath

Drilling pattern



Side panel preparation details

Installation



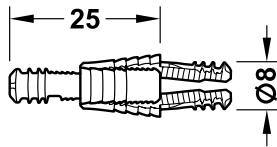
1. Join components using connector
2. Turn by 180°: The connector expands and the components are pulled together

Stock Item Freight Item

IXCONNECT SC 8/25 SPREADING CONNECTOR



- > Material: Plastic
- > Finish/Colour: Red/grey
- > Area of application: For concealed, not removable cabinet connections in small furniture items and drawers, for use in MDF board and chipboard in combination with wooden dowels
- > For wood thickness: From 15 mm
- > Installation: For press fitting into drill hole \varnothing 8 mm without tools, can also be glued (optional)
- > Functionality: Both connector components expand synchronously in the drill hole when joining both panel components, the connector is fixed into end position with a gentle tap on the panel components



- > One-piece connector
- > Can be used as cabinet connector in small furniture items
- > Quick and easy installation without tools
- > For use in 8 mm drill hole
- > For concealed applications



Cat.no.	Price* (MYR)
262.11.111	0.60



Scan for more information

Packing: 100, 2000 or 160000 pieces

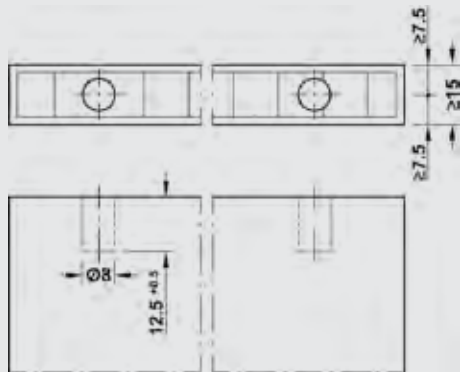
Note

The use in combination with wooden dowel 6x30 is recommended

Recommended furniture size:

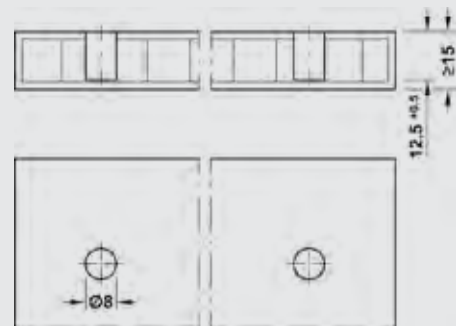
- > Furniture circumference: $2 \times \text{height} + 2 \times \text{width} < 3 \text{ m}$
- > Depth < 40 cm

Drilling pattern



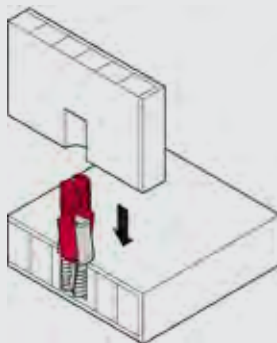
Drill hole on front edge

Drilling pattern

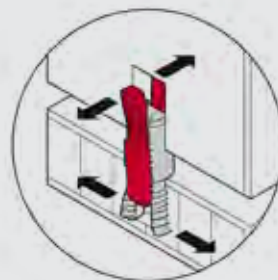


Drill hole on surface

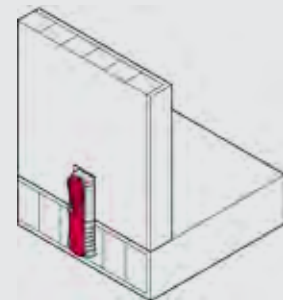
Installation



1. Push connector into drill hole

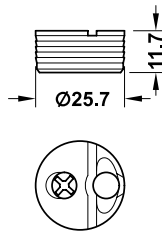
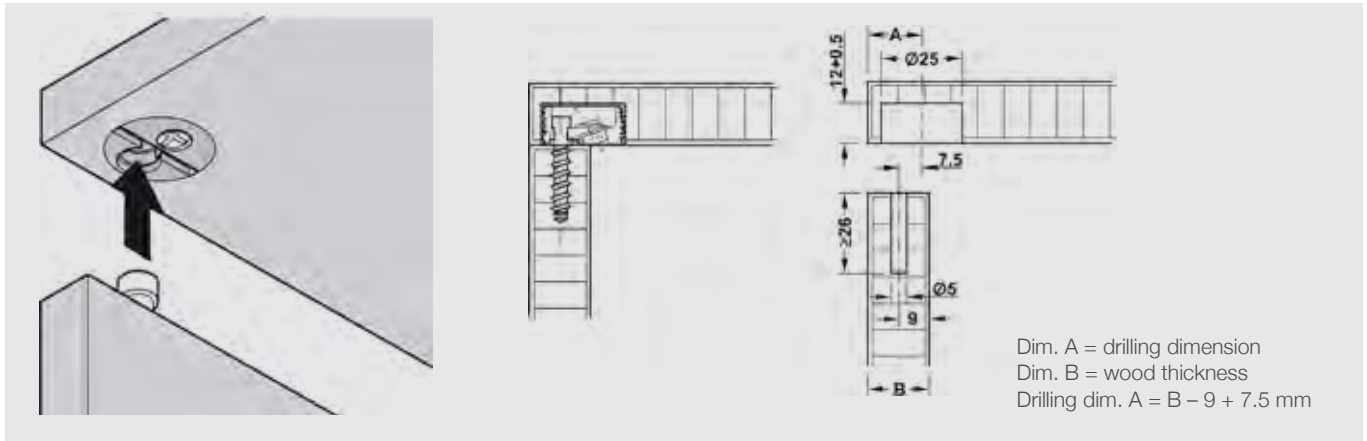


2. Join both panel components; both connector components expand synchronously in the drill hole



3. Completely concealed, not removable connection

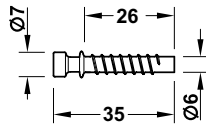
TOFIX



- > Area of application: For cabinets with continuous cabinet top panel, e.g. sideboards.
- The housing is semiconcealed when installed.
- > Material: Connector housing: Plastic, tightening element: Zinc alloy
- > For wood thickness: 18–26 mm
- > Installation: Housing for press fitting

> Connector housing			
Colour	Cat.No.		Price* (MYR)
Connector housing: White	261.95.704	✗	1.28
Connector housing: Brown	261.95.104	✗	1.28

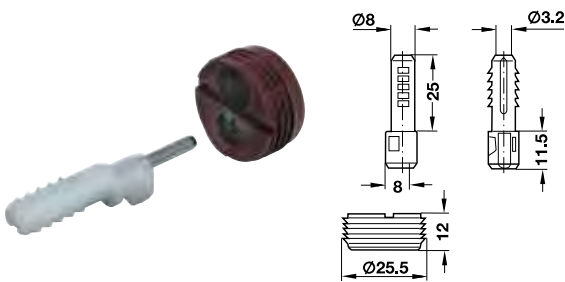
Packing: 100 or 1,000 pieces



- > Version: With special thread
- > Material: Zinc alloy
- > Finish: Bright

> Connecting bolt, For Ø 5 mm drill hole			
Cat.No.			Price* (MYR)
261.95.010		✗	0.70

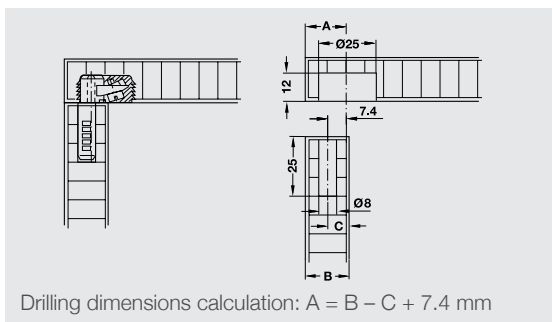
Packing: 10 or 2,000 pieces



- > Version: With cranked dowel plug
- > Material: Connector housing and dowel: Plastic, spreader pin: Steel
- > Installation: For press fitting

> For Ø 8 mm drill hole, With pre-mounted metal locking screw			
Colour	Cat.No.		Price* (MYR)
Connector housing: Brown	262.30.133	✗	2.87

Packing: 100 or 500 pieces



Stock Item Freight Item



CONNECTING FITTINGS

Offering connectors for every conceivable furniture application, our range offers support for everything from high-usage to heavy weight items.

SEPARABLE BISCUITS

take-apart, lexible and easy to use

Haas Fasteners



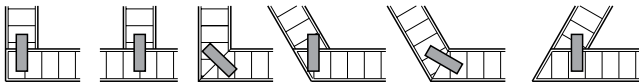
Area of application

- > Removable, vertical connections
- > For panels, shelves and doubling of doors
- > In exhibition and furniture construction

Characteristics and installation

- > Fixing in 4 mm groove
- > Fitting components for press fitting and glue fixing, secure mounting is provided by harpoon-type barbs
- > Only identical fitting parts, i.e. no distinction between right/left, therefore easy installation and storage
- > Processing with conventional biscuit jointers
- > At least 9 mm of space is required for fitting together and taking apart
- > Can only be processed using a special insertion tool

Lamello Connector



Area of application

- > Separable furniture connections
- > Surface, centre panel and corner connections
- > Panel mitres for all angles
- > Room dividers, partition walls, cladding
- > Connection to objects and walls that are already mounted, drawer side structures, frame connections
- > Store fixtures, exhibition construction and interior fitting

Advantages and characteristics

- > Align and connect: 2 functions in one connector
- > Quick installation without tools by hand
- > Non-twisting due to guide pins
- > Minimum opening for fastening and releasing the connections
- > Stackable, since no protruding parts on the surface

P-System

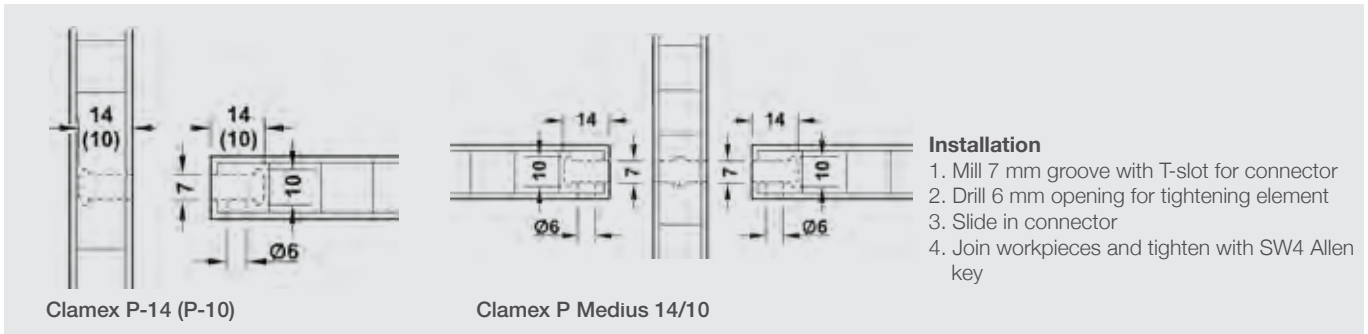
Advantages and characteristics

- > Positive-fit anchoring
- > No screw fixing, no glue fixing
- > Easy mounting of fitting without tools
- > Quick insertion by hand
- > Processing only with Lamello Zeta P2 or CNC machine



Clamex P-14 as cabinet connector	Tenso P-14 as gluing aid	Divario P-18 as shelf connector	Bisco P-14 straightening biscuit
<ul style="list-style-type: none"> > Positive-fit anchoring in the system groove. screw fixing not required > Longitudinal sliding tolerance ±1.5 mm > Processing only with Lamello Zeta P2 or CNC milling cutter 	<ul style="list-style-type: none"> > Bonding without screw-clamps or pressing devices > For concealed applications > Easily compressed using the pre-load clip with installation tool > Processing only with Lamello Zeta P2 or CNC milling cutter 	<ul style="list-style-type: none"> > Can be pushed in effortlessly until tightening point is reached > Connects and tightens when pushed in > Concealed connection with evenly closed gaps > Processing only with Lamello Zeta P2 or CNC milling cutter 	<ul style="list-style-type: none"> > Addition to the Clamex P > Fits into the grooves of the P-System, router bit change not required > Aligning function for aligning components, no glue > Side sliding tolerance ±2.0 mm

LAMELLO CLAMEX P-14/10 CABINET CONNECTOR



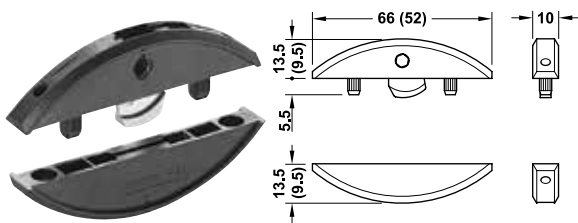
Installation

1. Mill 7 mm groove with T-slot for connector
2. Drill 6 mm opening for tightening element
3. Slide in connector
4. Join workpieces and tighten with SW4 Allen key

Note

- > The Bisco P straightening biscuit is the ideal addition to the Clamex P-14 for P system grooves
- > The Lamello Zeta P2 biscuit jointer and biscuit jointer with profile groove function are required for installation
- > The profile groove can be milled with the biscuit jointer with profile groove function using a CNC machine for series manufacture

- > Quick and toolless installation
- > Positive-fit anchoring no glueing, no screwing
- > Can be removed and re-tightened often, suitable for continuous use, e.g. for trade fair construction
- > Powerful connections, since the tensioning element makes high force transfer possible
- > Lateral adjustment possible



- > Material: Plastic, bolt: Zinc alloy
- > Drive: SW 4 hexagon socket
- > Adjustment facility: Lengthways ± 1.5 mm

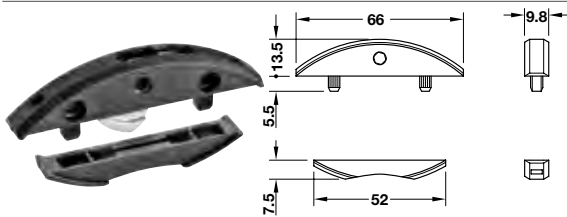
> Clamex P-14/10 Connector

	For wood thickness mm	Packing pieces	Cat.No.	Price* (MYR)
Clamex P-14	From 16	80	267.91.186	18.40
		300	267.91.136	17.10
		1000	267.91.166	16.50
Clamex P-10	From 13	80	267.91.180	19.30
		300	267.91.130	18.00

Order reference 1 piece = 1 pair

	Cat.No.	Price* (MYR)
Clamex P-14 starter kit	267.91.127	22.50

Supplied with 80 pairs of P-14 connectors and 1 drilling jig 001.26.603



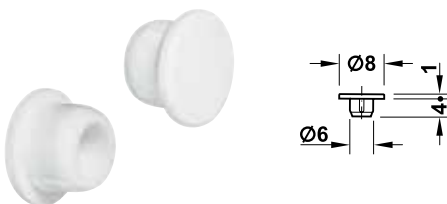
- > Material: Plastic, bolt: Zinc alloy
- > Drive: SW 4 hexagon socket
- > Adjustment facility: Lengthways ± 1 mm

> Clamex P-14/10 Medius Connector, centre panel connector

	Packing pieces	Cat.No.	Price* (MYR)
Clamex P-14/10 Medius	80	267.91.188	21.00
	300	267.91.138	19.00

Note

- > One-sided installation from wood thickness 12 mm
- > Profile groove position identical from wood thickness 16 mm, therefore no offset milling position required with centre panels



- > Material: Plastic
- > Installation: For push fitting into blind holes

> Cover caps, For Ø 6 mm drill hole

Packing pieces	Cat.No.	Price* (MYR)
Brown, RAL 8007	045.00.158	0.08
Pine coloured, RAL 1014	045.00.159	0.08
Beech coloured, RAL 1011	045.00.358	0.08
Graphite black, RAL 9011	045.00.359	0.08
Light grey, RAL 7035	045.00.559	0.08
White, RAL 9010	045.00.759	0.08

Packing: 10 or 1,000 pieces

LAMELLO CLAMEX S BISCUIT CONNECTOR

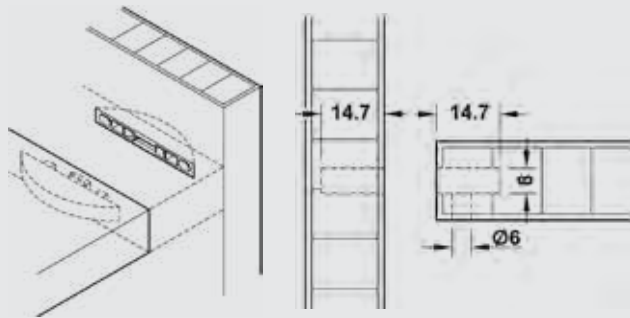


- > Area of application: For corner, centre panel and surface connections, and mitre connections from 30°–180°, for solid wood and board material
- > For wood thickness: from 16 mm
- > Material: Plastic, latch: Zinc alloy
- > Drive: SW 4 hexagon socket
- > Adjustment facility: Lateral ±1 mm (max. ±1.25 mm)

- > Can be processed with every Lamello biscuit jointer
- > Can be removed and re-tightened often, suitable for continuous use, e.g. for trade fair construction
- > Powerful connections, since the tensioning element makes high force transfer possible
- > No rotating of the components by guide pins
- > Lateral adjustment possible
- > Stackable when installed, since no protruding parts on the surface

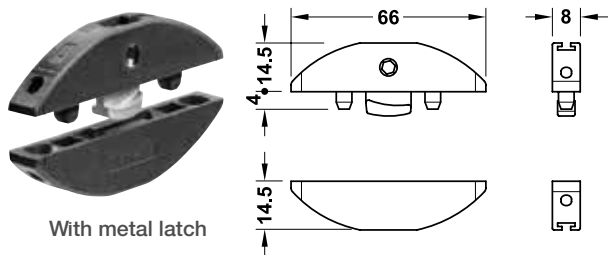


> Clamex P-14/10 Connector



Installation

- 1 Mill 8 mm groove for connector (biscuit jointer, setting D = 14.7 mm), alternatively 2 x 4 mm groove
- 2 Drill 6 mm opening for tensioning element
- 3 Insert connector and screw fix with 3 x 15 mm Pan head screw
- 4 Join workpieces and tighten with SW4 Allen key



With metal latch



- > Material: Plastic, bolt: Zinc alloy
- > Drive: SW 4 hexagon socket
- > Adjustment facility: Lengthways ±1.5 mm

> Clamex S Connector parts

Version	Packing	Cat.No.		Price* (MYR)
Clamex with zinc alloy	Starter set	267.91.121	✗	650.00
	80 pairs	267.91.172	✗	33.00
	300 pairs	267.91.122	✗	27.30

Starter set supplied with 1 pack : 18 pairs of connectors with 75 Pan screws 3 x 15mm, Marking jig 90°, SW 4 Allen key

Order reference

We recommend the use of the 8 mm biscuit jointer blade (see accessories) that is suitable for all Lamello biscuit jointers. When using as mitre-joint connector, please order Clamex drilling jig with 6 mm twist drill bit separately



- > Area of application: For 8 mm grooves, for all Lamello biscuit jointers
- > Dim.: 100 x 22 x 8 mm

> Biscuit jointer blade 8 mm

	Cat.No.		Price* (MYR)
Biscuit jointer blade 8 mm	006.89.020	✗	2,655.00

Packing: 1 piece



- > Area of application: For cutting mitred joints of 30°–150°

> Clamex S Drilling jig

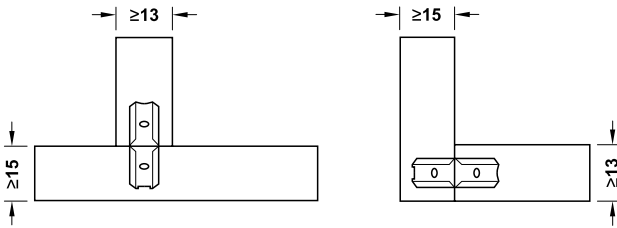
	Cat.No.		Price* (MYR)
Drilling jig with twist drill bit	001.26.600	✗	1,789.00

Packing: 1 set

Stock Item Freight Item

LAMELLO TENSO P-14 BISCUIT CONNECTOR

With pre-loading facility



P-System



verbindt met profiel

Note

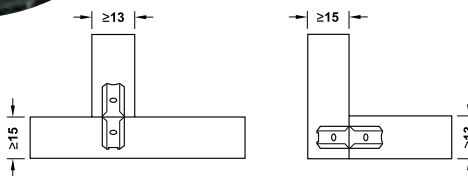
- > The connector must always be used in combination with glue.
- > The connection cannot be separated after engagement of the Tenso P-14.
- > Trial connection with Bisco P-14 possible.
- > Lengthways groove and system groove required: Processing with Lamello Zeta P2 biscuit jointer or CNC machine

The ideal glueing aid:

- > Without using clamps or pressing devices
 - > Completely concealed/invisible
 - > Facilitated storage and transport of the work pieces
- New pre-load clip features:**
- > Little effort: Only briefly applying pressure is needed for engaging the fitting
 - > Easy connection of workpieces, even with several connectors
 - > The pre-load clip is easily pushed in using the installation tool



- > Area of application: For cabinets with centre panels and intermediate shelves, or column claddings in stores, for drawers, installation of front panels, plug fitting onto plinths, ceiling panels, covers and handle profiles
- > Material: Plastic
- > Routing depth: 14 mm
- > Tolerance specification: Lateral: ±1 mm, sliding tolerance: ±2 mm
- > Tensile force: approx. 15 kg/connector, retention force: approx. 25 kg/connector



> Lamello Tenso P-14 Conector component

	Packing	Cat.No.		Price* (MYR)
Connector component	80 pieces	267.91.192	✘	12.00
Lamello Tenso P-14	300 pieces	267.91.152	✘	11.00

Order reference

1 piece = 1 pair

Note

Optimised product, also for use with pre-load clip.



> Lamello Tenso P-14 Starter kit

	Packing	Cat.No.		Price* (MYR)
Lamello Tenso P-14 Starter kit	80 pieces	267.91.151	✘	1,122.00

Supplied with 80 pairs of connectors, 80 pieces pre-load clips and 1 piece installation tool

Packing: 1 set



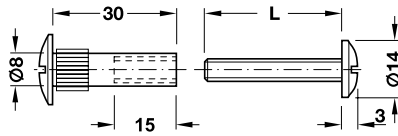
> Lamello Tenso P-14 Pre-stress clip

	Packing	Cat.No.		Price* (MYR)
Lamello Tenso P-14 Pre-stress clip	80 pieces	267.91.159	✘	2.15

Supplied with 300 pieces pre-load clips and 1 piece installation tool

Packing: 300 pieces

CONNECTING BOLT AND SLEEVES

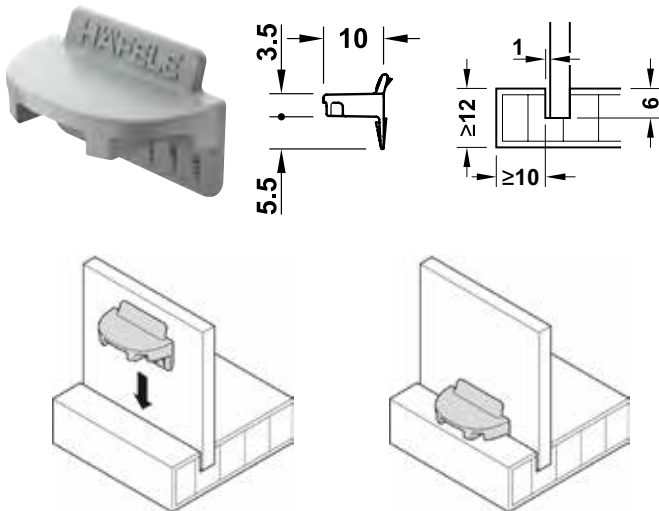


- > Material: Steel
- > Finish: Nickel plated
- > Type of head: Pan head
- > Drive: PZ cross slot and flat blade
- > Drill hole Ø: 8 mm
- > Thread: M6

> Connecting screw 2-piece, with thread M6, knurled				
Length L mm	For wood thickness mm	Cat.No.		Price* (MYR)
15	32 - 42	267.05.702	✘	0.93
20	36 - 46	267.05.703	✘	1.00
30	46 - 56	267.05.704	✘	1.16
40	56 - 65	267.05.705	✘	1.16
50	65 - 76	267.05.706	✘	1.24
60	76 - 86	267.05.707	✘	1.23

Supplied with 1 piece threaded screw and 1 piece, milled
Packing: 100 pieces

IXCONNECT RPC G 13/20 REAR PANEL CONNECTOR



- > Area of application: For fixing the rear panel in small furniture, for use as vibration protection in wooden drawers
- > For wood thickness: From 12 mm
- > Installation: For plug fitting into groove

> For use as rear panel connector in small furniture
 > Easy installation without tools
 > No additional drill hole is needed
 > Suitable for concealed applications as the installation is carried out from the rear side of the furniture

> For plug fitting into groove		
Cat.No.		Price* (MYR)
260.09.560	✘	0.32

Packing: 100, 5000 or 200,000 pieces



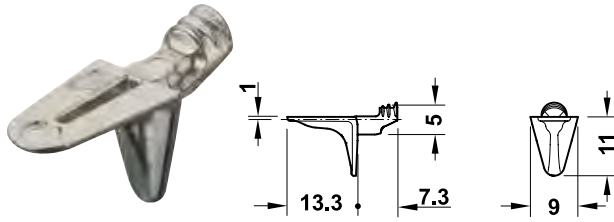
SHELF SUPPORTS

Here at Häfele we have a great selection of shelves along with the shelf brackets and supports required to fit them. Like all of our furniture fittings our shelf brackets and shelf supports are available in a broad choice of functions, applications, materials, finishes and colours to suit various designs and styles.



PLUG-IN SHELF SUPPORTS

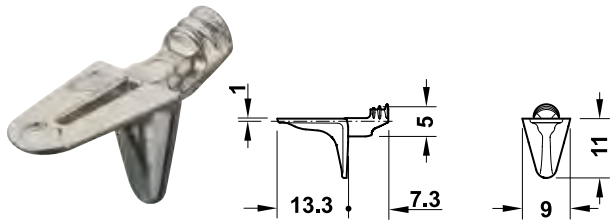
> Shelf supports for wooden shelves, for plug fitting, in drill hole Ø5 mm



- > Version: With twin grooves
- > Material: Zinc alloy
- > Finish: Nickel plated
- > Load bearing capacity: 9.4 kg per piece, tested to DIN EN 16337:2013-08 with 1.7 kg plate for impact test, i.e. 37.6 kg load bearing capacity when using 4 shelf supports
- > Material: Zinc alloy
- > Installation: For plug fitting into drill hole Ø 5 mm

Cat.No.	Price* (MYR)
282.24.717	0.47

Packing: 500 or 2000 pieces

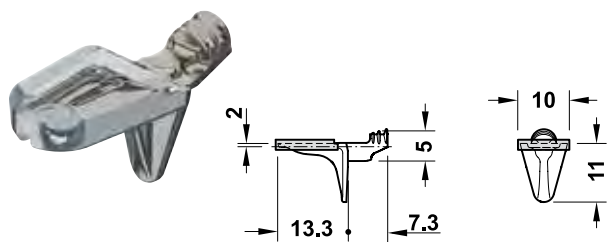


- > Material: Zinc alloy
- > Finish: Nickel
- > Load bearing capacity: 15.6 kg per piece, tested to DIN EN 16337:2013-08 with 1.7 kg plate for impact test with shelf size 300 x 1,000 x 19 mm, i.e. 12.4 kg load bearing capacity when using 4 shelf supports
- > Installation: Plug in, for Ø 5 mm hole

Cat.No.	Price* (MYR)
284.84.710	0.46

Packing: 500 pieces

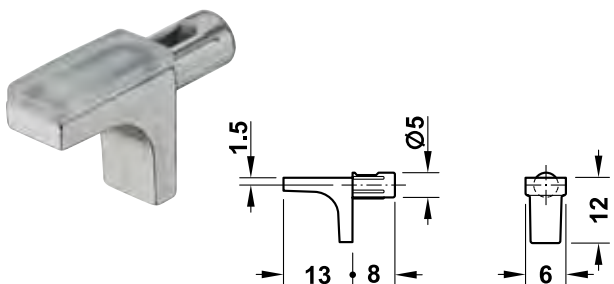
> Shelf supports for glass shelves, for plug fitting, in drill hole Ø 5 mm



- > Version: With twin grooves, with plastic cap
- > Material: Zinc alloy, support: Plastic
- > Finish / Colour: Nickel plated, Support: Transparent
- > Load bearing capacity: 6.25 kg per piece, tested to DIN EN 16337:2013-08 with 1.7 kg plate for impact test, i.e. 25 kg load bearing capacity when using 4 shelf supports
- > Installation: For plug fitting into drill hole Ø 5 mm

Cat.No.	Price* (MYR)
282.24.733	1.24

Packing: 500 or 1500 pieces

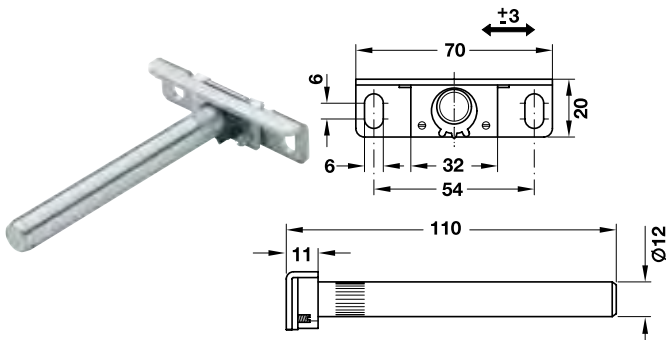


- > Version: With plastic support
- > Material: Zinc alloy
- > Finish: Nickel plated
- > Colour: Support: Transparent
- > Installation: For plug fitting into drill hole Ø 5 mm

Cat.No.	Price* (MYR)
282.84.721	1.00

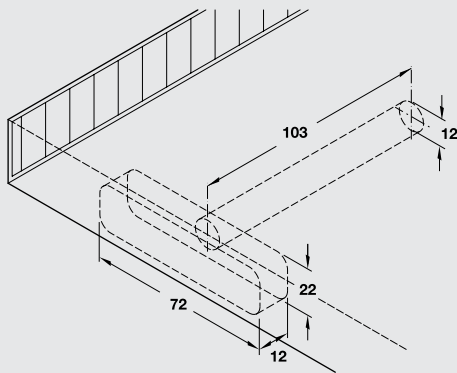
Packing: 100 or 500 pieces

CONCEALED SHELF SUPPORTS



- > Area of application: For concealed installation
- > Material: Steel, eccentric sleeve: Plastic
- > Finish: Galvanized
- > Colour: Eccentric sleeve: Black
- > Version: With screw-on plate and eccentric sleeve
- > For shelf thickness: ≥ 24 mm
- > Adjustment facility: Tilt adjustment: via adjusting screws, height adjustment: via slots in screw-on plate, side adjustment: Sliding via slot ± 3 mm
- > Installation: For screw fixing to support element,

Drilling and routing dimensions in shelf



> Shelf support, with screw-on plate, tilt, height and side adjustment

Cat.No.	Price* (MYR)
283.33.904	31.00

Packing: 1 or 20 pieces

Note

Max. distance between two shelf supports: 700 mm



- > Material: Strip: Aluminium, cover caps: Plastic
- > Finish/colour: Strip: Silver coloured anodized, cover cap: Grey
- > Load bearing capacity: 35 kg per piece, tested to DIN EN 16337:2013-08 with 1.7 kg plate for impact test with shelf depth 300 mm
- > Length: 800 mm
- > Installation: For screw fixing to the support element; shelf is inserted at an angle from above, the shelf is held by its own weight; adhesive pads may be attached for additional security (optional)

> Shelf support for wooden and glass shelves

	Dim. A mm	Dim. B mm	Cat.No.	Price* (MYR)
For glass shelves	8	48	287.25.901	114.00
For wood shelves	19	59	287.25.914	136.00

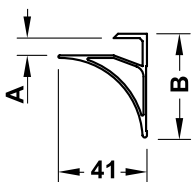
Supplied with 1 piece strip, 2 pieces cover caps and adhesive pads

Packing: 1 piece

Note

The specified load bearing capacity applies only with proper and reliable attachment to the wall.

The fixing method depends on the wall material: Please check screws and wall plugs in accordance with the type of wall, use other fixing material if necessary.

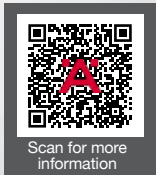




CABINET HANGERS

Commonly used in a kitchen environment, hangers support the weight of cabinets and their contents. Our range provides a choice of fitting finishes, so hangers are either visible inside the cabinet, or hidden behind the cabinet carcass.

CONCEALED CABINET HANGER

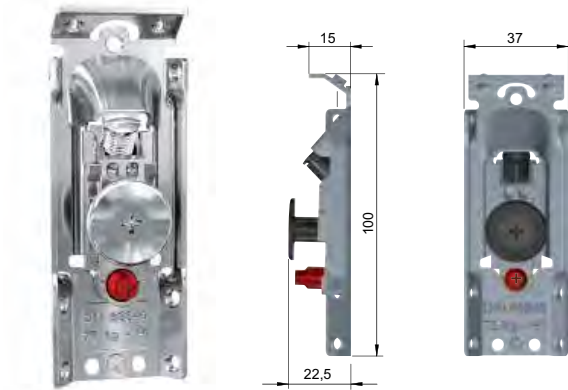


- > Material: Zinc alloy, steel
- > Finish: Zinc plated
- > Load bearing capacity: 150kg* per pair (Load carrying capacity applies to 2 cabinet hangers bearing an evenly distributed load in accordance with regulation DIN 68840)
- > Adjustment facility: 2 way independent adjustment: Vertical adjustment: 13mm; Horizontal adjustment: 12mm
- > Installation: For screw fixing

> Concealed cabinet hanger for wall cabinet, screw mounting

Cat.No.	Price* (MYR)
290.41.755	28.00

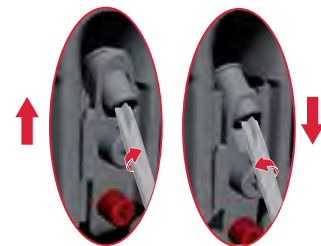
Supplied with 1 pair cabinet hanger, 1 piece wall plate (to split in 2 pieces) and 2 pieces cover cap
Packing: 20 sets



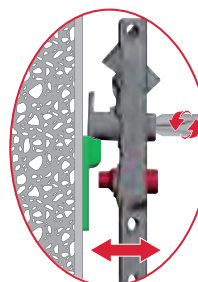
Adjustments



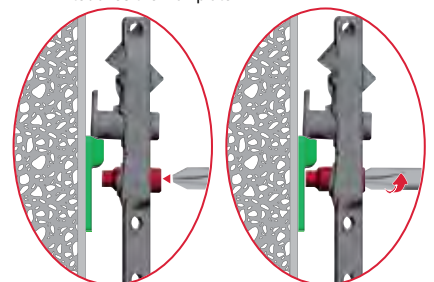
1- Vertical adjustment:
13 mm



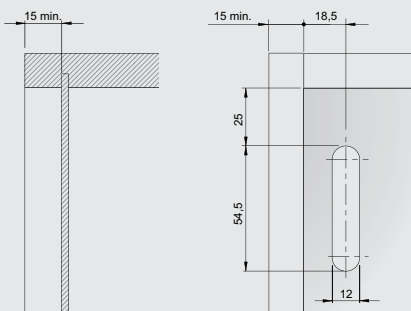
2- In-Depth adjustment:
12 mm



3- Anti-turnover locking
Stop screwing the red bolt when it touches the wall plate.



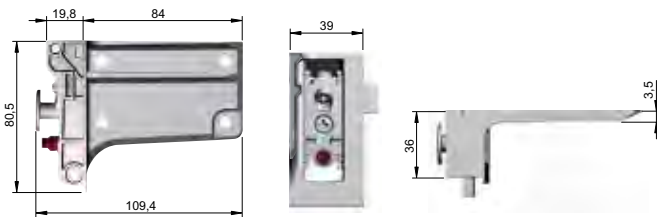
Drilling plan for Libra H1 fixed under the cabinet top



CONCEALED CABINET HANGER



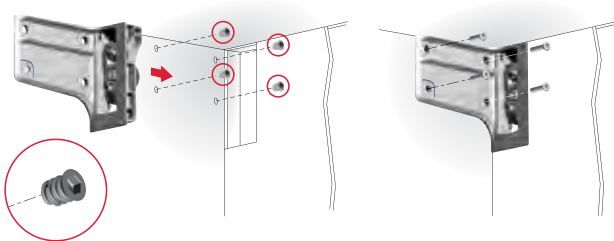
- > Material: Zinc alloy, steel
- > Finish: Zinc plated
- > Load bearing capacity: 150kg* per pair (Load carrying capacity applies to 2 cabinet hangers bearing an evenly distributed load in accordance with regulation DIN 68840)
- > Adjustment facility: 2 way independent adjustment: Vertical adjustment: 13mm; Horizontal adjustment: 12mm
- > Installation: For screw fixing



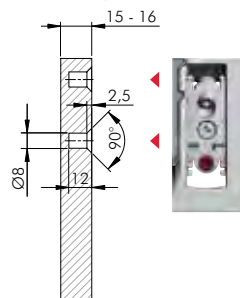
> Concealed cabinet hanger for base unit, screw mounting		
Cat.No.		Price* (MYR)
290.41.955		125.00

Supplied with 1 pair cabinet hanger, 1 piece wall plate (to split in 2 pieces) and 2 pieces cover cap
 Packing: 20 sets

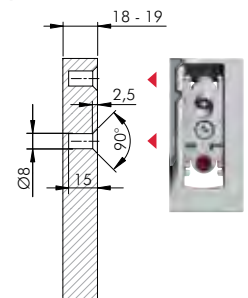
installation under the cabinet top



Side panel 15 - 16 mm thick



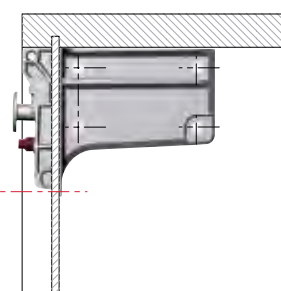
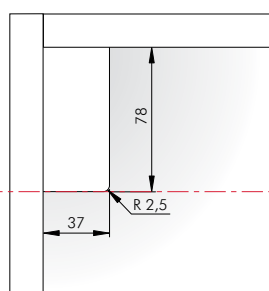
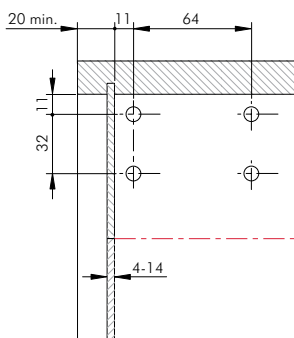
Side panel 18 - 19 mm thick



- Recommended fixing accessories:
- insert nut M6 x 10 mm
 - flat head screw M6 x 12 mm

- Recommended fixing accessories:
- insert nut M6 x 13 mm
 - flat head screw M6 x 12 mm

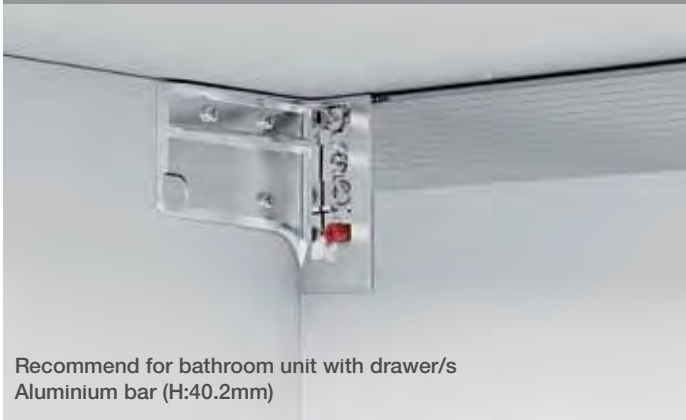
Drilling plan with back panel wood thickness 4 - 14 mm



Stock Item Freight Item

CONCEALED CABINET HANGER

Aluminium bar

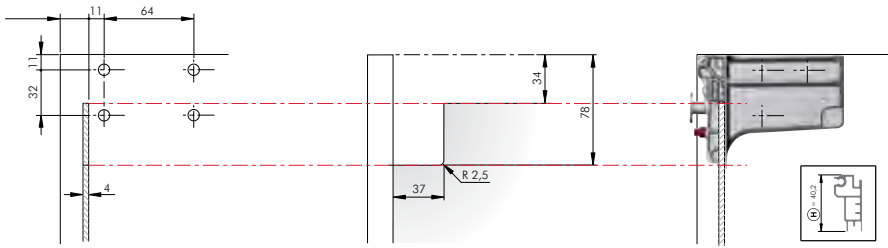


Recommend for bathroom unit with drawer/s
Aluminium bar (H:40.2mm)

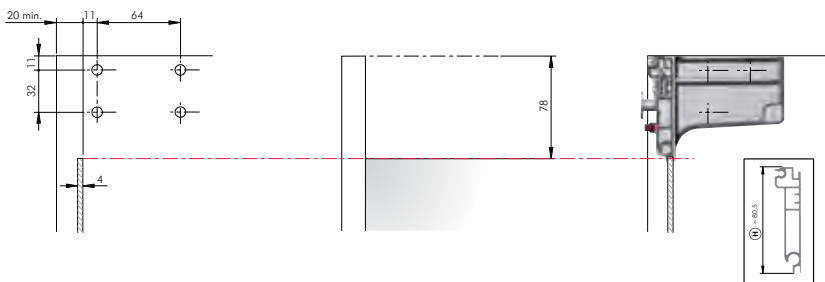


Recommend for kitchen base cabinets
Aluminium bar (H:80.5mm)

DRILLING PLAN WITH BACK PANEL WOOD THICKNESS 4 MM AND H. 40,2 MM ALUMINIUM BAR



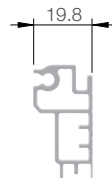
DRILLING PLAN WITH BACK PANEL WOOD THICKNESS 4 MM AND H. 80,5 MM ALUMINIUM BAR



Aluminium bar (H:40.2mm)

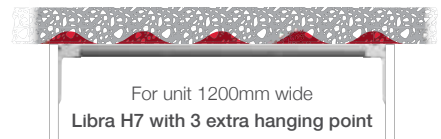
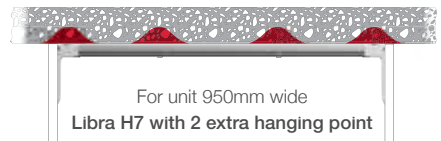
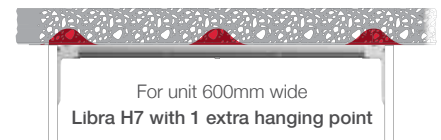


Aluminium bar (H:80.5mm)



Stress intensity level on the wall

By adding extra hanging points on the aluminium bar, the capacity loading is more evenly distributed, thus sensibly reducing the stress intensity level on the wall.



Dim. H x L mm	Cat.no.	Price* (MYR)
40.2 x 2500	290.01.040	260.00
80.5 x 2500	290.01.080	281.00

Packing: 1 piece

We reserve the right to alter specifications without notice.

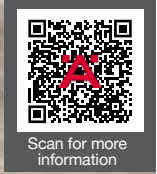


PLINTH FIXINGS AND
FURNITURE CASTORS



AXILO™

Plinth adjusting fitting system



AXILO™ by Häfele is a new, revolutionary plinth adjusting fitting system. The combination of the adjusting tool and the plinth adjusting foot makes levelling a kitchen or a furniture item a simple, comfortable operation.

THE REASON FOR USING AXILO™



Easy cabinet levelling with just a few manual operations.



Time saving of up to 50% during kitchen or furniture assembly.



Ergonomic and back-friendly installation.



Large area of application for plinth heights from 50 to 220 mm.

UNIQUE FEATURES OF THE AXILO™ PLINTH ADJUSTING FITTING SYSTEM

This outstanding feature distinguishes AXILO™ from technically comparable connectors from other manufacturers:



ERGONOMIC

No more bending over, crawling, or stretching: With AXILO™ you can also conveniently access the rear plinth feet.



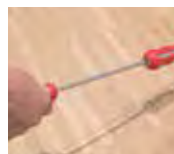
UNCOMPLICATED

The AXILO™ adjusting tool can be positioned and operated from any angle. Practical, particularly in areas that are difficult to access.



EFFICIENT

Since you always work in front of the cabinet with AXILO™, you always have the spirit level in view which saves time and energy.



LONG REACH

The unique AXILO™ adjusting tool acts as an extended arm with the additional extension you can even reach the plinth feet of corner base units.



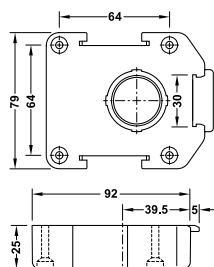
QUICK

Convenient operation with a power tool also possible thanks to a 1/4" chuck, both in the AXILO™ adjusting tool and also in the AXILO™ extension.



UNIVERSAL

AXILO™ can be used for all types of cabinet, from the kitchen base unit, to the office cabinet to wardrobes.

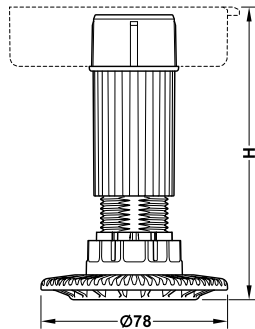


- > Material: Plastic
- > Colour: Black
- > Installation: For screw fixing

Mounting plate, rectangular	
Cat. No.	Price* (MYR)
637.76.330	2.00

Packing: 500 pieces

AXILO™ Plinth adjusting fitting system

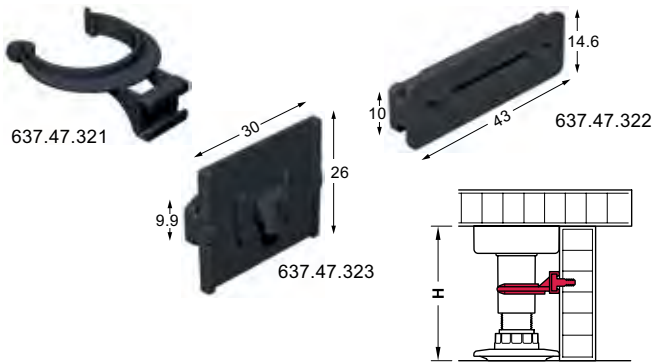


- > Material: Plastic
- > Colour: Black
- > Installation: For plug fitting into mounting plate
- > Height adjustment: Adjustable at the side and from above -10 to +20 mm using AXILO™ 78 adjusting tool
- > Height adjustment facility: <80 kg cabinet weight
- > Load bearing capacity: 150 kg/foot

> Tube with screw-in glide				
Installation height H mm	Adjustment facility mm	Cat.No.		Price* (MYR)
60	53 - 80	637.76.351	🏠	3.30
80	70 - 100	637.76.352	✂️	3.90
100	90 - 120	637.76.353	🏠	3.25
125	115 - 145	637.76.354	✂️	4.10
150	140 - 170	637.76.355	🏠	3.35
180	170 - 200	637.76.356	✂️	4.90
200	190 - 220	637.76.357	✂️	5.10

Supplied with 1 piece tube with adjusting foot (pre-mounted)
Packing: 500 pieces

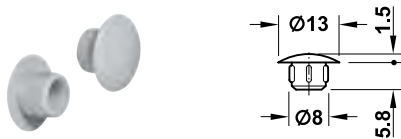
Order reference
Please order mounting plate separately.



- > Area of application: For fixing the plinth panel
- > Material: Plastic
- > Finish: Black
- > Installation: For plug fitting into mounting plates

> Plinth panel clips			
Installation	Cat.No.		Price* (MYR)
Plinth clips	637.47.321	🏠	0.59
Panel clip, screw fixing (for wooden plinth)	637.47.322	🏠	0.75
Retaining clip (for aluminium plinth)	637.47.323	🏠	0.48

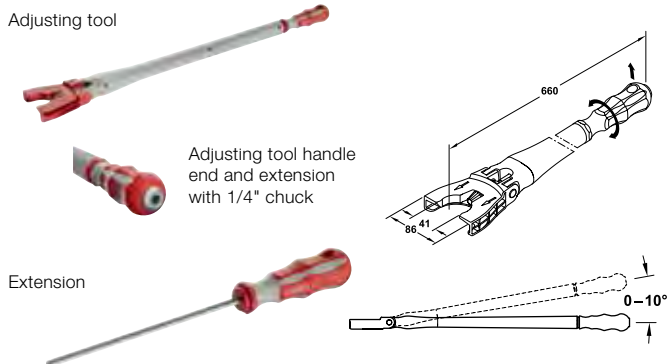
Packing: 500 pieces



- > Material: Plastic
- > For drill hole: Ø 8mm
- > Installation: For push fitting into blind holes

> Cover cap			
Colour	Cat.No.		Price* (MYR)
Light grey	045.00.580	🏠	0.06

Packing: 500 pieces



- > Area of application: For ergonomic and time saving height adjustment of AXILO™ 78 plinth adjusting fitting system in the entire plinth area, also for corner cabinets, for example
- > Material: Plastic, mechanism: Steel
- > Adjustment facility: Adjustment angle height 0-10°
- > Version: Chuck 1/4" (bit supplied)

> Height adjustment by rotating by hand or with electric tool to save time.

> Adjusting tools			
Item description	Cat.No.		Price* (MYR)
Adjusting tool	637.76.360	🏠	519.00
Extension	637.76.361	🏠	123.00

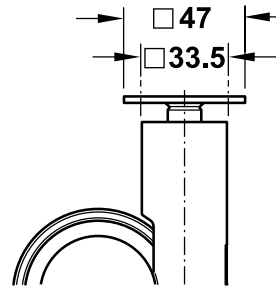
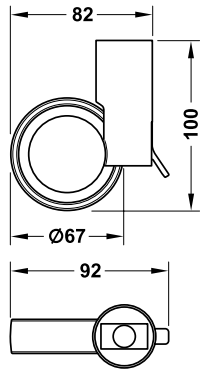
Packing: 1 piece

🏠 Stock Item ✂️ Freight Item

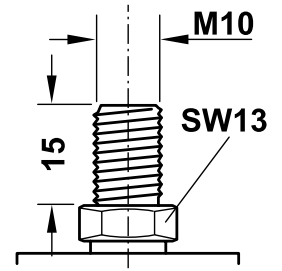
FURNITURE CASTOR



Version: Screw on plate
Housing: Polished chrome plated



Screw-on plate, steel, galvanized



Threaded pin, steel, galvanized



Version: Threaded pin
Housing: Aluminium coloured

- > Material: Housing: Zinc alloy, wheel: Plastic
- > Wheel Ø : 67 mm
- > Load bearing capacity: Approx. 50 kg/castor
- > Version: Free running, with brake

- > Hard running surface: For soft floors, e.g. carpet
- > Soft running surface: For hard floors, e.g. parquet flooring



Finish	Installation	Installation height mm	Running surface	Cat. No.	Price* (MYR)
Housing: Polished chrome plated, wheel: Grey	Screw-on plate	108	Soft	661.88.201	145.00
	Threaded pin	104	Soft	661.88.202	139.00
Housing: Aluminium coloured, wheel: Grey	Screw-on plate	108	Soft	661.88.901	122.00
	Threaded pin	104	Soft	661.88.902	115.00

Packing: 2 pieces

FURNITURE FEET WITH LIGHTING



- > Material: Plastic
- > Installation: For screw fixing
- > Load bearing capacity: 50 kg
- > Voltage: 12 V
- > Light colour: Cool white 4,000 K
- > Wattage: 1.5 W

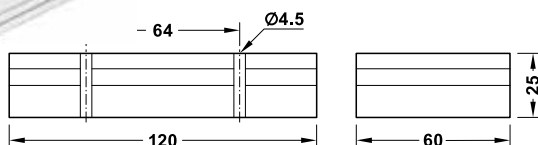
Finish / Colour	Cat.No.	Price* (MYR)
Stainless steel colour lacquered	• 634.47.670	144.00
Silver colour lacquered	• 637.47.970	144.00
Chrome plated lacquered	• 634.47.270	160.00

Supplied with 1 piece furniture feet with lighting and 1.8m lead
Packing: 1 or 10 pieces

Order reference

Please order 12 V driver separately

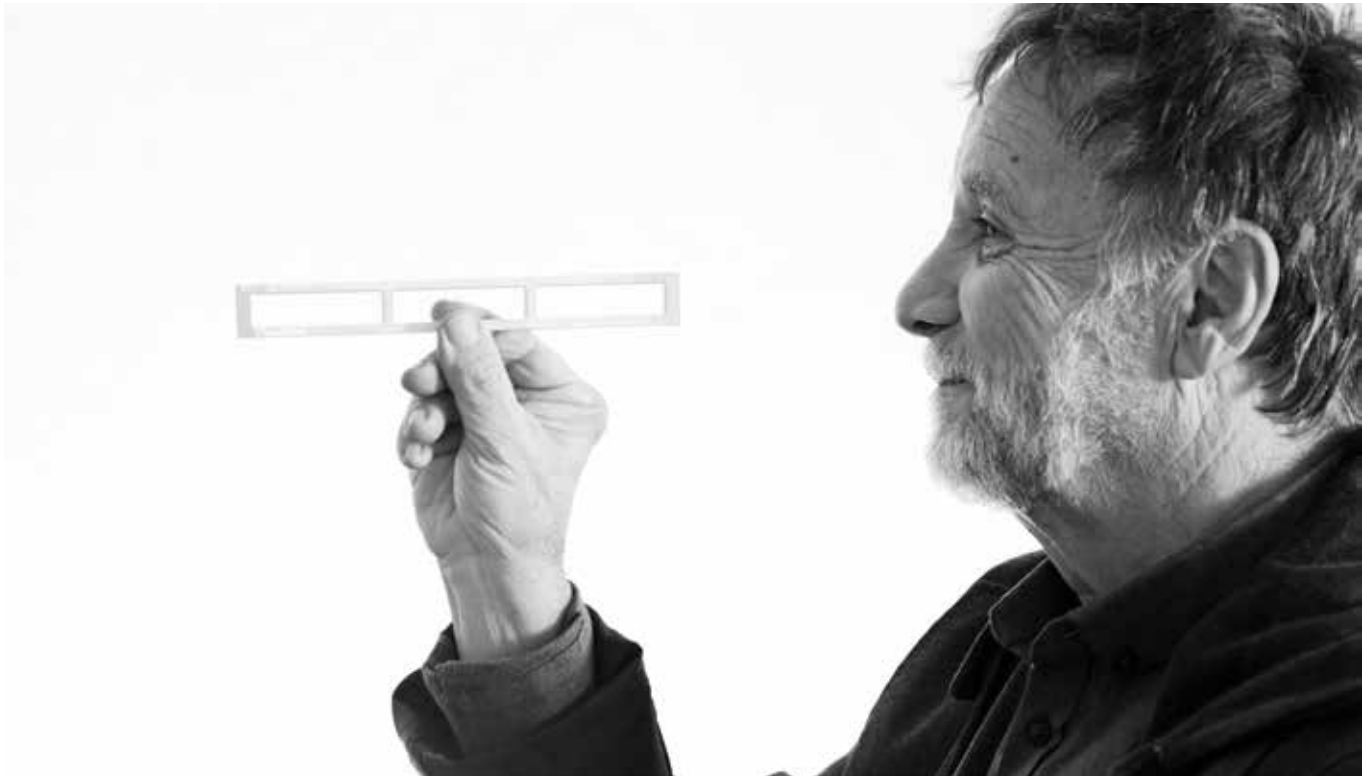
- Discontinued



Cat.No.	Price* (MYR)
• 833.71.692	144.00

Supplied with 1 piece 40W driver with 1 piece 2m UK plug primary lead

- Discontinued



WARRANTY

As a globally recognised manufacturer and supplier, Häfele (M) Sdn Bhd (**Häfele**) provides the following warranty (**Warranty**) in relation to its kitchen equipment, wardrobe fittings, accessories and related products (**Product(s)**).

Warranty Periods

Häfele warrants that, subject to the exclusions and limitations below, the Products will be free from defects in materials and workmanship for the following periods (**Warranty Period(s)**):

Product	Warranty Period
Premium Fittings Series (Kesseböhmer & FREE)	Lifetime warranty (20 years)
Standard Fittings Series	5 years
Econo Fittings Series	2 years
LOOX Lighting Series	3 years

Claims Procedure

If a fault covered by this Warranty occurs, the customer must first contact Häfele using the contact details below.

Claims for errors or transport damage must be made within 14 days of receipt of the Products.

Any warranty claim must be accompanied by:

- > Proof of Purchase (invoice);
- > Full details of the alleged defect; and
- > Any other appropriate documentation

The customer must make the Product available to Häfele or its authorised repair agent for inspection and testing. If such inspection and testing finds no defect in the Product, the customer must pay Häfele’s usual costs of service work and testing.

The customer must bear the cost of the transport of the Product to and from Häfele or its authorised repair agent.

Exclusions

This Warranty does not apply:

- > to any Components carrying their own separate express warranties;
- > where the Product has been installed in an unsatisfactory manner (as determined by Häfele);
- > where the alleged defect in the Product is within acceptable industry variances;
- > where Häfele or its authorised repairer cannot establish any fault in the Product after testing and inspection;
- > where the Product has been used other than for the purpose for which it was designed and manufactured;
- > where the defect in the Product has arisen due to the customer's failure to properly use, service or maintain the Product in accordance with any instructions or user manuals that are supplied with the Product;
- > where the Product has been subjected to abnormal conditions, including environment, temperature, water, fire, humidity or similar;
- > where the defect has arisen due to abuse, misuse, neglect or accident; and
- > in respect of damage or defects caused by normal wear and tear.

Limitations

Häfele makes no express warranties or representations other than set out in this Warranty.

With respect to any Component, where a failure does not amount to a major failure, Häfele will provide, at Häfele's option, a repair, replacement or refund for the Component.

If a Product or part is no longer available and cannot be repaired, Häfele may, in its absolute discretion, replace the Product or part with a substitute item of similar quality, grade and composition where an identical Product or part is not available.

Action

Based on the inquiry, our Customer Care team will arrange for the appropriate action to take place.

Contact Details

Häfele (M) Sdn Bhd

18, Jalan Juruhebah U1/5, Temasya Industrial Park, 40150 Shah Alam

Email: info@hafele.com.my

Telephone: +603 5569 2526

QUICK SELECT WITH ARTICLE & PAGE NUMBER

001.26.600	346	106.61.224	254	106.62.905	244	110.34.266	262	110.79.012	265	152.08.204	266	234.99.241	308
001.26.603	345	106.61.254	251	106.62.906	244	110.34.267	262	111.71.412	265	152.13.200	266	234.99.261	308
006.89.020	346	106.61.259	251	106.62.915	245	110.34.271	256	111.71.413	265	152.13.900	266	235.19.200	307
007.32.131	69	106.61.304	250	106.62.916	245	110.34.274	256	113.10.348	267	155.00.230	142	235.19.211	307
008.28.241	102	106.61.323	254	106.63.716	251	110.34.277	256	117.30.300	263	155.00.240	142	235.59.600	296
012.53.584	278	106.61.324	254	106.63.719	251	110.34.279	256	117.30.315	263	193.19.403	264	235.88.600	296
013.30.900	326	106.61.354	251	106.63.816	251	110.34.286	257	117.30.316	263	193.19.703	264	235.88.620	296
013.30.910	326	106.61.359	251	106.63.819	251	110.34.287	257	117.30.317	263	193.43.428	264	235.88.820	296
039.33.266	333	106.61.454	251	106.65.066	246	110.34.291	259	126.14.901	272	193.43.429	264	235.88.830	296
039.70.324	327	106.61.459	251	106.65.146	244	110.34.294	259	126.19.900	272	193.43.728	264	237.10.002	300
039.70.504	326	106.61.464	251	106.65.150	245	110.34.296	259	126.36.006	269	193.43.729	264	237.10.004	300
039.70.504	327	106.61.554	251	106.65.266	246	110.34.306	256	126.36.305	269	194.17.308	264	237.10.006	300
042.98.051	338	106.61.559	251	106.65.346	244	110.34.307	256	126.36.705	269	194.17.313	264	237.10.009	300
045.00.158	345	106.61.764	251	106.65.350	245	110.34.327	258	126.36.905	269	194.17.908	264	237.22.100	300
045.00.159	345	106.61.933	254	106.65.366	246	110.34.328	258	126.37.006	268	194.17.908	264	237.22.120	300
045.00.358	345	106.61.934	254	106.65.446	244	110.34.336	260	126.37.070	270	210.11.001	305	237.23.006	300
045.00.359	345	106.61.943	252	106.65.450	245	110.34.337	260	126.37.071	270	210.11.002	305	237.48.600	299
045.00.559	345	106.61.944	252	106.65.466	246	110.34.338	260	126.37.074	268	210.11.003	305	237.56.304	289
045.00.580	358	106.61.954	251	106.65.566	246	110.34.339	260	126.37.075	268	210.11.090	305	237.56.343	289
045.00.759	345	106.61.959	251	106.65.646	244	110.34.346	255	126.37.096	270	210.40.601	303	237.58.111	292
103.83.051	255	106.61.964	251	106.65.650	245	110.34.347	255	126.37.097	269	210.40.602	303	237.58.128	292
103.83.061	255	106.62.004	244	106.65.746	244	110.34.355	261	126.37.098	269	210.40.603	303	237.58.180	292
103.83.713	265	106.62.005	244	106.65.750	245	110.34.356	261	126.37.113	271	210.40.604	303	239.40.703	305
103.83.751	255	106.62.006	244	106.65.866	246	110.34.357	261	126.37.123	271	210.40.605	303	239.41.013	305
103.83.761	255	106.62.015	245	106.69.205	262	110.34.358	261	126.37.141	271	210.40.606	303	239.75.761	302
106.60.005	253	106.62.016	245	106.69.207	262	110.34.386	257	126.37.305	268	210.40.607	303	244.20.014	316
106.60.008	253	106.62.115	245	106.69.217	259	110.34.387	257	126.37.312	271	210.40.608	303	244.20.015	316
106.60.009	253	106.62.116	245	106.69.227	259	110.34.606	256	126.37.322	271	210.40.609	303	244.20.016	316
106.60.014	254	106.62.165	248	106.69.237	262	110.34.607	256	126.37.331	271	210.40.610	303	244.20.017	316
106.60.016	254	106.62.175	249	106.69.247	260	110.34.616	255	126.37.370	270	210.40.611	303	245.41.792	318
106.60.018	254	106.62.176	249	106.69.257	260	110.34.617	255	126.37.371	270	210.40.612	303	245.41.798	318
106.60.023	252	106.62.195	250	106.69.267	261	110.34.627	258	126.37.374	268	210.40.613	303	245.52.403	317
106.60.027	252	106.62.215	245	106.69.268	261	110.34.636	260	126.37.375	268	210.40.614	303	245.54.701	317
106.60.033	253	106.62.216	245	106.69.276	257	110.34.638	260	126.37.705	268	210.40.615	303	245.55.913	317
106.60.034	253	106.62.225	246	106.69.277	257	110.34.655	261	126.37.712	271	210.40.616	303	245.66.201	315
106.60.036	253	106.62.226	246	106.69.605	262	110.34.657	261	126.37.722	271	210.40.617	303	245.66.211	315
106.60.041	252	106.62.243	247	106.69.607	262	110.34.665	262	126.37.731	271	210.40.618	303	245.66.211	315
106.60.044	252	106.62.244	247	106.69.617	259	110.34.666	262	126.37.770	270	210.40.619	303	245.66.221	315
106.60.205	253	106.62.256	248	106.69.627	259	110.34.667	262	126.37.771	270	210.40.620	303	245.66.309	315
106.60.208	253	106.62.265	248	106.69.637	262	110.34.671	256	126.37.774	268	210.40.621	303	245.66.311	314
106.60.209	253	106.62.286	249	106.69.647	260	110.34.674	256	126.37.775	268	210.40.622	303	245.66.311	315
106.60.214	254	106.62.295	250	106.69.657	260	110.34.677	256	126.37.905	268	210.40.623	303	245.66.321	315
106.60.216	254	106.62.315	245	106.69.667	261	110.34.679	256	126.37.912	271	210.40.624	303	245.66.600	315
106.60.218	254	106.62.316	245	106.69.668	261	110.34.686	257	126.37.922	271	210.40.625	303	245.67.310	314
106.60.614	254	106.62.336	247	106.69.676	257	110.34.687	257	126.37.931	271	210.40.626	303	245.67.320	314
106.60.616	254	106.62.343	247	106.69.677	257	110.34.691	259	126.37.936	270	210.40.627	303	245.67.710	314
106.60.618	254	106.62.344	247	107.24.081	267	110.34.694	259	126.37.937	269	210.40.628	303	245.67.720	314
106.60.933	253	106.62.365	248	107.24.082	267	110.34.696	259	126.37.938	269	210.40.629	303	246.00.100	311
106.60.934	253	106.62.386	249	109.49.902	267	110.34.706	256	126.37.976	270	210.40.630	303	246.00.708	311
106.60.936	253	106.62.425	246	109.49.903	267	110.34.707	256	126.37.977	269	210.41.611	304	246.01.312	311
106.60.941	252	106.62.426	246	109.49.904	267	110.34.786	257	126.37.978	269	210.41.612	304	246.09.103	312
106.60.944	252	106.62.475	249	109.49.906	267	110.34.787	257	126.37.980	268	210.41.613	304	246.09.701	312
106.61.004	250	106.62.475	249	109.49.907	267	110.35.020	261	126.37.981	270	210.41.623	304	246.13.120	312
106.61.014	250	106.62.476	249	109.49.909	267	110.35.040	257	126.37.985	268	224.64.600	301	246.13.720	312
106.61.017	250	106.62.476	249	109.49.910	267	110.35.271	257	126.37.986	270	224.64.650	301	246.13.920	312
106.61.033	254	106.62.525	246	109.49.911	267	110.35.276	258	126.37.990	269	226.07.209	301	246.26.141	313
106.61.034	254	106.62.526	246	109.49.914	267	110.35.279	258	126.37.990	270	226.30.761	301	246.26.341	313
106.61.043	252	106.62.604	244	110.34.071	256	110.35.281	259	126.37.996	270	226.57.708	302	246.26.741	313
106.61.044	252	106.62.605	244	110.34.074	256	110.35.286	259	126.37.997	269	230.36.600	298	246.26.940	313
106.61.054	251	106.62.606	244	110.34.077	256	110.35.340	257	126.37.998	269	232.01.220	306	246.26.992	313
106.61.059	251	106.62.625	246	110.34.079	256	110.35.371	257	126.53.003	270	232.01.240	306	246.29.105	313
106.61.071	253	106.62.626	246	110.34.091	259	110.35.376	258	126.53.002	270	232.26.620	295	246.29.301	313
106.61.074	253	106.62.636	247	110.34.094	259	110.35.379	258	126.53.702	270	232.26.680	295	246.29.703	313
106.61.123	254	106.62.643	247	110.34.096	259	110.35.620	261	126.53.902	270	232.28.720	306	246.43.758	311
106.61.124	254	106.62.644	247	110.34.206	256	110.35.640	257	151.86.030	142	232.30.620	295	246.75.613	313
106.61.143	252	106.62.656	248	110.34.207	256	110.35.671	257	151.86.030	272	232.37.625	295	246.75.623	313
106.61.144	252	106.62.665	248	110.34.216	255	110.35.676	258	151.86.030	272	232.37.991	305	251.60.703	320
106.61.154	251	106.62.695	250	110.34.217	255	110.35.679	258	151.86.089	142	233.20.210	309	252.01.227	320
106.61.159	251	106.62.715	245	110.34.227	258	110.35.681	259	151.86.089	272	233.40.712	297	252.01.245	320
106.61.164	251	106.62.716	245	110.34.236	260	110.35.686	259	151.86.930	142	233.42.610	297	252.01.629	320
106.61.204	250	106.62.736	247	110.34.238	260	110.35.771	257	151.86.930	272	234.59.994	298	252.01.647	320
106.61.214	250	106.62.775	249	110.34.255	261	110.35.776	258	151.86.930	272	234.65.600	298	252.02.224	320
106.61.217	250	106.62.776	249	110.34.257	261	110.35.779	258	151.86.989	142	234.98.610	299	252.02.242	320
106.61.223	254	106.62.904	244	110.34.265	262	110.76.011	265	151.86.989	272	234.99.240	308	2	

QUICK SELECT WITH ARTICLE & PAGE NUMBER

252.02.644	320	263.14.105	336	311.42.501	115	356.53.310	124	372.33.944	99	402.35.031	162	406.78.922	164
252.70.710	321	263.14.203	336	311.42.502	115	356.53.330	125	372.33.945	99	402.35.034	162	406.78.923	164
252.70.720	321	263.14.205	336	311.43.200	116	356.53.700	124	372.33.949	99	402.35.500	162	407.47.002	164
252.70.730	321	263.14.405	336	311.43.210	116	356.53.710	124	372.33.950	99	402.35.660	162	407.47.004	164
252.72.708	321	263.14.703	336	311.43.300	116	361.22.110	118	372.33.954	99	405.36.006	160	407.90.200	170
260.09.560	348	263.14.705	336	311.51.511	116	361.22.710	118	372.33.955	99	405.36.007	160	407.90.201	170
261.95.010	342	263.15.105	337	311.51.513	116	361.85.501	120	372.34.902	98	405.36.008	160	408.24.020	155
261.95.104	342	263.15.703	337	311.51.520	116	361.85.609	120	372.34.903	98	405.36.016	160	408.24.020	155
261.95.704	342	263.15.705	337	311.51.522	116	361.93.241	120	372.34.905	98	405.36.017	160	408.24.020	155
262.09.202	332	263.18.302	328	311.90.500	114	361.93.641	120	372.34.906	98	405.36.018	160	408.24.020	155
262.09.211	332	263.18.602	328	311.90.501	114	365.47.701	81	372.34.908	98	405.36.400	160	408.24.020	155
262.09.302	332	263.20.131	328	311.90.502	114	365.48.310	107	372.34.909	98	405.36.630	160	408.24.020	155
262.09.311	332	263.20.131	338	311.98.500	114	365.48.311	107	372.34.922	98	405.36.631	160	408.24.020	155
262.11.111	341	263.20.141	338	311.98.502	114	365.48.312	107	372.34.923	98	405.36.712	160	408.25.335	155
262.11.117	340	263.20.150	338	311.98.504	114	365.48.313	107	372.34.925	98	405.36.713	160	408.25.340	155
262.17.020	331	263.20.805	326	311.98.505	114	365.48.510	107	372.34.926	98	405.36.802	160	408.25.345	155
262.26.033	331	263.20.805	327	311.98.565	114	365.48.511	107	372.34.928	98	405.36.803	160	408.25.350	155
262.26.034	331	263.20.810	338	315.00.750	110	365.48.512	107	372.34.929	98	406.11.094	139	408.25.355	155
262.26.042	331	263.20.847	338	315.02.750	110	365.48.513	107	372.37.060	89	406.11.094	140	408.25.360	155
262.26.070	331	263.20.856	338	315.06.756	112	372.29.034	89	372.37.060	97	406.11.101	140	408.25.365	155
262.26.533	331	263.20.981	328	315.07.007	112	372.29.038	89	372.37.126	93	406.11.102	140	408.30.045	148
262.27.020	332	263.20.981	338	315.07.057	111	372.29.042	89	372.37.128	93	406.11.103	140	408.30.045	150
262.27.029	332	263.50.103	337	315.07.058	111	372.29.043	89	372.37.132	93	406.11.104	140	408.30.045	151
262.27.047	333	263.50.105	337	315.98.650	110	372.29.046	89	372.37.136	93	406.11.105	140	408.30.046	148
262.27.234	332	263.50.305	337	315.98.650	110	372.29.047	89	372.64.796	89	406.11.106	140	408.30.046	150
262.27.574	332	263.50.405	337	325.00.708	117	372.29.050	89	372.64.796	97	406.11.107	140	408.30.046	151
262.27.592	333	263.50.703	337	325.02.702	121	372.29.052	89	372.71.138	91	406.11.108	140	408.30.047	148
262.27.666	333	263.50.705	337	327.22.510	122	372.29.054	89	372.71.140	91	406.11.109	140	408.30.047	150
262.27.670	334	263.95.732	329	327.22.511	122	372.29.105	93	372.71.142	91	406.11.110	140	408.30.047	151
262.27.679	334	263.95.735	329	327.22.511	123	372.29.108	93	372.71.144	91	406.11.111	140	408.30.048	148
262.27.680	334	267.05.702	348	327.33.010	122	372.29.134	93	372.71.146	91	406.11.112	140	408.30.048	150
262.27.689	334	267.05.703	348	327.33.010	122	372.29.135	93	372.71.148	91	406.11.120	139	408.30.048	151
262.27.805	334	267.05.704	348	327.33.010	123	372.29.139	93	372.91.901	95	406.11.121	139	408.30.093	148
262.27.832	332	267.05.705	348	327.34.500	122	372.29.140	93	372.91.902	95	406.11.122	139	408.30.093	148
262.27.920	332	267.05.706	348	327.34.500	122	372.29.144	93	372.91.903	95	406.11.123	139	408.30.093	148
262.27.921	332	267.05.707	348	327.34.500	123	372.29.145	93	372.91.921	96	406.11.130	137	408.30.093	148
262.27.941	333	267.91.121	346	327.34.510	122	372.29.219	91	372.91.922	96	406.11.131	137	408.30.095	148
262.27.949	333	267.91.122	346	327.34.510	122	372.29.220	91	372.91.923	96	406.11.132	137	408.30.095	148
262.28.020	332	267.91.127	345	327.34.510	123	372.29.222	91	372.91.924	96	406.11.133	137	408.30.095	148
262.28.026	332	267.91.130	345	327.53.084	278	372.29.223	91	372.91.941	95	406.11.134	137	408.30.229	154
262.28.041	333	267.91.136	345	329.17.600	89	372.29.225	91	372.91.942	95	406.11.135	137	408.30.243	148
262.28.044	333	267.91.138	345	329.17.600	97	372.29.226	91	372.91.943	95	406.11.136	137	408.30.295	150
262.28.231	332	267.91.151	347	329.49.642	81	372.29.405	86	372.91.951	96	406.11.240	135	408.30.430	153
262.28.571	332	267.91.152	347	329.71.500	81	372.29.406	86	372.91.952	96	406.11.240	135	408.30.961	153
262.28.599	333	267.91.159	347	329.71.503	89	372.29.407	86	372.91.953	96	406.11.241	135	408.30.970	153
262.28.670	334	267.91.166	345	329.71.503	97	372.29.408	87	372.91.954	96	406.11.241	135	408.30.970	154
262.28.679	334	267.91.172	346	334.01.020	113	372.29.409	87	372.92.340	86	406.11.242	135	408.31.000	153
262.28.689	334	267.91.180	345	334.11.020	113	372.29.410	87	372.92.342	86	406.11.242	135	408.31.000	154
262.28.802	334	267.91.186	345	334.21.020	113	372.29.411	87	372.92.344	86	406.11.243	135	408.31.001	153
262.28.839	332	267.91.188	345	340.41.104	129	372.29.607	89	372.92.346	87	406.11.243	135	408.31.001	154
262.28.920	332	267.91.192	347	340.41.702	129	372.29.611	89	372.92.348	87	406.11.285	138	408.31.002	153
262.28.928	332	271.75.004	194	341.11.503	119	372.29.615	89	372.92.350	87	406.11.286	138	408.31.002	154
262.28.941	333	271.87.920	194	341.12.500	119	372.29.616	89	372.92.352	87	406.11.287	138	408.31.003	153
262.28.946	333	271.87.920	196	341.13.507	118	372.29.619	89	372.92.352	103	406.11.288	138	408.31.003	154
262.30.133	342	271.89.000	191	341.13.507	119	372.29.620	89	373.66.632	104	406.11.650	135	408.31.004	153
262.88.904	339	271.89.010	191	341.14.504	119	372.29.623	89	373.69.312	101	406.11.650	135	408.31.004	154
262.88.908	339	271.89.020	192	341.22.506	119	372.29.625	89	373.69.412	101	406.11.650	135	408.31.005	153
262.88.954	339	271.91.114	190	341.23.503	119	372.29.627	89	373.69.512	101	406.11.650	135	408.31.005	154
262.88.990	339	271.91.145	190	341.25.712	81	372.29.644	89	373.69.712	101	406.11.670	135	408.31.006	153
262.88.994	339	271.97.300	193	342.66.730	107	372.29.645	89	373.69.799	101	406.11.670	135	408.31.006	154
263.10.103	336	271.97.395	193	342.66.730	121	372.29.646	89	373.82.001	105	406.11.670	135	408.31.007	153
263.10.105	336	271.98.100	194	356.12.313	128	372.29.647	89	373.82.002	105	406.11.670	135	408.31.007	154
263.10.203	336	282.24.717	350	356.12.317	128	372.29.648	89	373.82.003	105	406.11.680	139	409.03.084	278
263.10.205	336	282.24.733	350	356.12.326	128	372.29.649	89	373.82.004	105	406.11.680	139	410.25.000	167
263.10.303	336	282.84.721	350	356.12.327	128	372.29.650	89	373.82.005	105	406.11.681	139	410.25.000	167
263.10.305	336	283.33.904	351	356.12.513	128	372.29.651	89	400.52.956	162	406.11.681	139	410.25.000	167
263.10.403	336	284.84.710	350	356.12.517	106	372.29.652	89	402.30.642	158	406.11.690	138	410.25.001	169
263.10.405	336	287.25.901	351	356.12.517	128	372.29.653	89	402.30.643	158	406.11.690	138	410.25.001	169
263.10.703	336	287.25.914	351	356.12.526	128	372.33.904	99	402.30.802	158	406.11.691	138	410.25.001	169
263.10.705	336	290.01.040	355	356.12.527	128	372.33.905	99	402.30.803	158	406.11.691	138	410.25.408	167
263.11.105	337	290.01.080	355	356.27.411	129	372.33.909	99	402.30.803	160	406.78.026	162	410.25.408	167
263.11.703	337	290.41.755	353	356.53.300	124	372.33.910	99	402.33.031	158	406.78.026	164	410.25.408	169
263.11.705	337	290.41.955	354	356.53.300	124	372.33.914	99	402.33.642	158	406.78.032	164	410.25.408	169
263.14.103	336	311.42.500	115	356.53.310	124	372.33.915	99	402.33.643	158	406.78.310	164	410.25.622	167

QUICK SELECT WITH ARTICLE & PAGE NUMBER

410.25.622	169	540.25.294	44	550.31.460	34	637.76.352	358	807.95.190	176	833.71.676	209	833.74.798	213
410.25.625	167	540.25.295	44	550.31.461	35	637.76.353	358	807.96.110	176	833.71.677	209	833.74.798	215
410.25.625	169	540.25.297	44	550.31.462	35	637.76.354	358	807.96.420	175	833.71.678	210	833.74.798	216
410.25.812	167	540.27.294	45	550.33.003	36	637.76.355	358	808.90.090	188	833.71.679	210	833.74.798	217
410.25.812	169	540.27.295	45	550.33.012	36	637.76.356	358	812.09.614	71	833.71.680	213	833.74.798	218
410.25.815	167	540.27.297	45	550.33.022	36	637.76.357	358	812.09.623	71	833.71.681	229	833.74.798	219
410.25.815	169	541.31.872	50	550.33.032	36	637.76.360	358	812.09.632	71	833.71.682	237	833.74.798	220
421.68.420	197	541.31.873	50	550.33.503	36	637.76.361	358	812.09.641	71	833.71.683	237	833.74.798	221
421.68.423	197	541.31.878	50	550.33.513	36	642.19.800	79	817.10.352	196	833.71.684	207	833.74.798	222
421.68.425	198	541.31.879	50	550.33.523	36	642.19.810	80	817.10.363	196	833.71.685	207	833.74.798	223
421.68.431	198	541.31.880	50	550.33.533	36	642.19.928	81	819.12.281	201	833.71.686	207	833.74.798	224
421.68.500	199	541.31.881	50	552.03.085	21	661.88.201	359	819.12.282	201	833.71.687	207	833.74.798	225
421.68.501	199	541.31.882	50	552.49.315	16	661.88.202	359	819.12.283	201	833.71.688	208	833.74.798	226
421.68.507	199	541.31.883	50	552.49.316	16	661.88.901	359	819.12.284	201	833.71.689	208	833.74.798	227
421.68.508	199	541.32.622	50	552.49.334	16	661.88.902	359	819.12.285	201	833.71.690	208	833.74.798	228
421.68.509	199	541.32.623	50	552.49.334	17	752.02.502	68	819.15.022	202	833.71.691	208	833.74.798	232
422.87.326	26	541.32.624	50	552.49.335	16	793.06.031	66	819.15.033	202	833.71.692	232	833.74.798	234
422.87.331	26	541.32.625	50	552.49.335	17	793.06.032	66	819.15.050	202	833.71.692	359	833.74.822	217
422.87.336	26	541.32.634	50	552.49.385	16	793.06.033	66	819.15.074	202	833.71.693	232	833.74.822	224
422.87.341	26	541.32.635	50	552.49.386	16	793.06.041	66	819.15.080	202	833.71.854	215	833.74.826	217
422.87.346	26	541.32.636	50	552.49.429	17	793.06.042	66	819.15.340	202	833.71.855	216	833.74.826	217
422.87.351	26	541.32.637	50	552.55.306	16	793.06.043	66	822.65.002	230	833.71.856	217	833.74.826	217
422.87.356	26	541.99.090	71	552.55.307	17	793.06.061	66	822.65.034	230	833.71.857	218	833.74.826	217
422.87.361	26	542.14.172	61	552.55.308	17	793.06.062	66	822.65.034	230	833.71.858	219	833.74.826	224
422.87.366	26	542.14.332	61	552.55.310	16	793.06.063	66	833.71.479	236	833.71.859	220	833.74.826	224
422.87.371	26	544.01.087	70	552.55.311	17	793.06.331	66	833.71.480	236	833.71.860	221	833.74.826	224
433.10.462	23	544.01.089	70	552.55.312	17	793.06.332	66	833.71.481	236	833.71.861	215	833.74.826	224
433.10.463	23	544.03.037	70	552.55.315	17	793.06.333	66	833.71.482	236	833.71.862	216	833.74.832	215
433.10.464	23	544.03.039	70	552.72.545	21	793.06.341	66	833.71.483	208	833.71.863	217	833.74.832	215
433.10.465	23	545.13.961	46	552.75.005	21	793.06.342	66	833.71.484	208	833.71.864	218	833.74.832	215
433.10.466	23	545.13.971	46	552.77.085	21	793.06.343	66	833.71.485	208	833.71.865	219	833.74.832	215
433.10.467	23	545.48.411	47	552.79.085	21	793.06.361	66	833.71.486	208	833.71.866	220	833.74.832	222
494.02.191	25	545.53.472	43	556.04.300	34	793.06.362	66	833.71.487	207	833.71.867	221	833.74.832	222
494.02.192	25	545.53.473	43	556.04.330	35	793.06.363	66	833.71.488	207	833.72.853	215	833.74.832	222
494.02.193	25	545.53.762	43	556.04.400	34	801.13.222	182	833.71.489	207	833.72.853	222	833.74.832	222
494.02.194	25	545.53.763	43	556.04.430	35	801.14.522	182	833.71.490	207	833.72.854	216	833.74.848	218
494.02.195	25	545.61.027	42	556.08.320	35	801.21.936	181	833.71.634	222	833.72.854	223	833.74.848	225
494.02.196	25	545.81.084	57	556.08.330	34	801.37.013	180	833.71.635	223	833.73.110	212	833.74.893	219
494.02.197	25	545.93.431	60	556.44.786	71	802.02.560	182	833.71.636	224	833.73.111	212	833.74.893	219
502.12.023	75	545.93.434	60	556.52.243	37	802.07.200	181	833.71.637	225	833.73.481	213	833.74.893	219
502.15.114	73	545.93.435	60	556.52.244	37	802.07.200	220	833.71.638	226	833.73.520	213	833.74.893	219
502.70.252	75	545.94.550	60	556.52.246	37	802.07.200	227	833.71.639	227	833.73.728	223	833.74.893	226
502.73.901	73	545.94.551	60	556.52.248	37	802.07.210	182	833.71.640	228	833.73.730	213	833.74.893	226
502.73.901	74	545.94.552	60	556.52.249	37	802.11.010	180	833.71.641	222	833.73.736	213	833.74.893	226
502.73.902	73	545.94.612	60	556.70.040	37	803.25.260	182	833.71.642	223	833.73.738	215	833.74.893	226
503.76.311	74	546.19.200	51	556.70.040	37	803.25.560	182	833.71.643	224	833.73.738	216	833.89.061	234
503.76.313	74	546.19.201	51	556.70.140	37	803.33.757	181	833.71.644	225	833.73.738	218	833.89.066	234
503.76.314	74	546.19.820	51	556.70.140	37	803.42.070	180	833.71.645	226	833.73.738	222	842.34.030	276
504.68.313	53	546.19.821	51	561.56.318	54	803.42.090	180	833.71.646	227	833.73.743	215	842.34.060	276
504.68.315	53	546.59.531	59	561.56.718	54	804.21.103	177	833.71.647	228	833.73.743	216	842.57.010	277
504.68.323	53	546.59.533	59	564.53.102	69	804.21.190	177	833.71.648	215	833.73.743	218	842.58.080	274
504.68.913	53	547.90.581	38	564.53.112	69	804.21.191	177	833.71.648	216	833.73.743	222	843.17.608	281
504.68.915	53	547.92.413	38	564.53.122	69	804.21.199	177	833.71.648	217	833.73.743	223	843.18.605	281
504.68.923	53	547.92.523	38	564.53.142	69	805.00.150	176	833.71.648	218	833.73.743	225	843.68.380	263
505.70.200	78	549.24.621	42	564.53.172	69	805.20.255	179	833.71.648	221	833.73.748	215	843.68.390	263
505.72.990	48	549.62.316	58	564.53.182	69	805.20.532	179	833.71.648	222	833.73.748	216	844.23.300	284
521.00.006	63	549.63.406	58	564.53.192	69	805.20.557	179	833.71.648	223	833.73.748	218	844.23.700	284
521.00.009	63	549.72.106	56	568.16.020	129	805.69.202	183	833.71.648	224	833.73.748	219	844.23.900	284
521.00.012	63	549.72.306	56	568.60.710	187	806.22.400	184	833.71.648	225	833.73.748	220	844.25.032	274
521.01.510	64	550.31.300	33	568.60.780	186	806.22.401	184	833.71.648	228	833.73.748	222	844.25.040	274
521.01.511	64	550.31.310	33	568.60.964	188	806.22.500	184	833.71.649	215	833.73.748	223	844.26.400	275
521.01.520	63	550.31.320	34	568.66.700	185	806.22.501	184	833.71.649	216	833.73.748	225	844.26.600	275
521.01.521	63	550.31.330	34	568.66.790	185	806.22.700	184	833.71.649	222	833.73.748	226	844.26.610	275
521.01.522	63	550.31.340	34	634.47.270	359	806.22.701	184	833.71.649	223	833.73.748	227	844.27.410	279
521.01.530	64	550.31.350	33	634.47.670	359	807.95.101	174	833.71.650	215	833.73.771	213	844.33.020	283
521.01.541	64	550.31.360	34	637.47.321	358	807.95.104	174	833.71.650	216	833.74.090	211	844.33.030	283
521.01.571	64	550.31.361	35	637.47.321	358	807.95.121	174	833.71.650	222	833.74.091	211	844.33.220	283
521.01.590	63	550.31.362	35	637.47.322	358	807.95.124	174	833.71.650	223	833.74.751	234	844.33.230	283
521.01.591	63	550.31.400	33	637.47.322	358	807.95.151	174	833.71.651	219	833.74.798	207	844.33.400	282
521.01.750	63	550.31.410	33	637.47.323	358	807.95.154	174	833.71.651	226	833.74.798	208	844.33.600	282
521.02.501	64	550.31.420	34	637.47.323	358	807.95.161	175	833.71.652	219	833.74.798	209	844.60.001	278
540.24.294	44	550.31.430	34	637.47.970	359	807.95.164	175	833.71.652	226	833.74.798	210	844.60.002	278
540.24.295	44	550.31.440	34	637.76.330	357	807.95.171	175	833.71.653	220	833.74.798	211	844.60.003	278
540.24.297	44	550.31.450	33	637.76.351	358	807.95.174	175	833.71.653	227	833.74.798	212	844.61.012	278

QUICK SELECT WITH ARTICLE & PAGE NUMBER

844.61.013	278
844.61.014	278
844.61.015	278
844.72.030	277
844.72.031	277
844.72.032	277
844.73.001	277
844.73.002	277
844.76.001	282
844.76.010	282
845.00.809	278
845.01.806	278
845.02.803	278
845.08.210	279
845.08.450	279
845.08.650	279
855.00.015	277
885.05.101	280
885.05.151	280
885.05.201	280
885.05.251	280
885.05.401	280
885.05.451	280
885.05.801	280
885.05.851	280
910.51.088	290
917.42.001	292
917.42.002	292
917.44.143	293



HÄFELE

Häfele Malaysia Sdn Bhd

KL Head Office

No. 18, Jalan Juruhebah U1/50 Seksyen U1, Temasya Industrial Park, 40150 Shah Alam, Selangor, Malaysia
Phone: +603 5568 2526 | Fax: +603 5569 3526 | Email: info@hafele.com.my

KL Design Centre

No. 42, Jalan SS21/1, Damansara Utama, 47400 Petaling Jaya, Selangor, Malaysia
Phone: +603-7733 4526 / 7733 6526 | Fax: +603 7733 3526 | E-mail: info@hafele.com.my

www.hafele.com.my



Scan for full copy