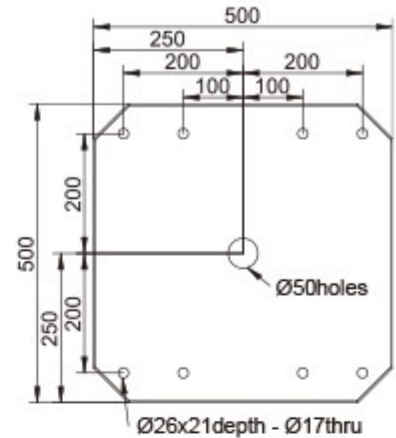
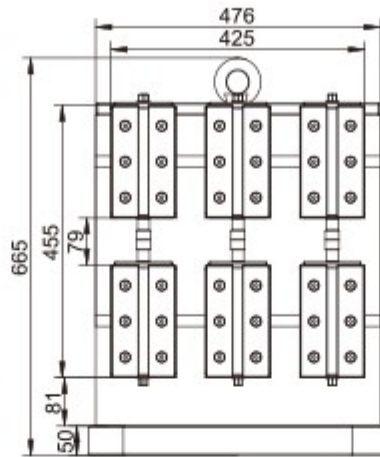
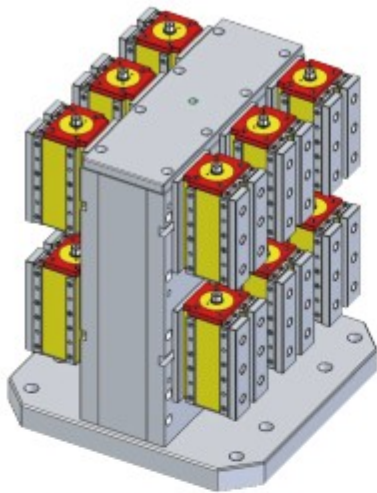




Mag Vise Magnetic Workholding

Permanent Magnetic Clamping Block ECB-120V12 Series

■ Suitable for use on CNC Horizontal Machining Center.



Features & Applications:

1. Each 6pcs of ECB-120 magnetic clamping block on 2 working face, each of 7200 kgf $\pm 5\%$ (1200kgf $\times 6$) holding power, can be clamping 2 big workpieces for machining at same time.
2. Customer can makes and assemble any type of clamping device themselves by ECB series for depends on workpieces required.
3. Suitable for use on CNC Horizontal Machining Center. (can do 5 sides machining.)

Working Example

