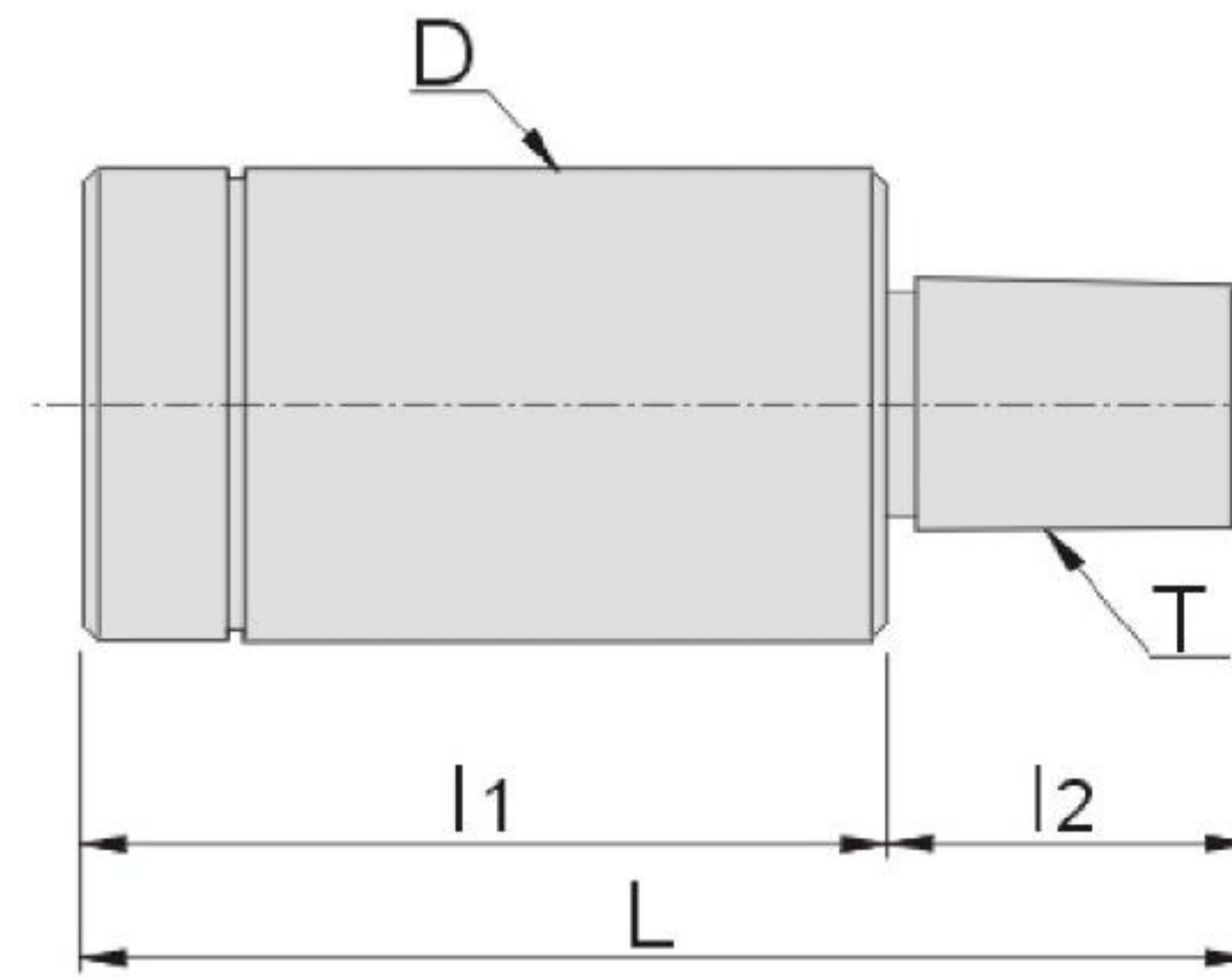


Tooling System

63000

C/JT

Cylindrical Drill Chuck Arbors

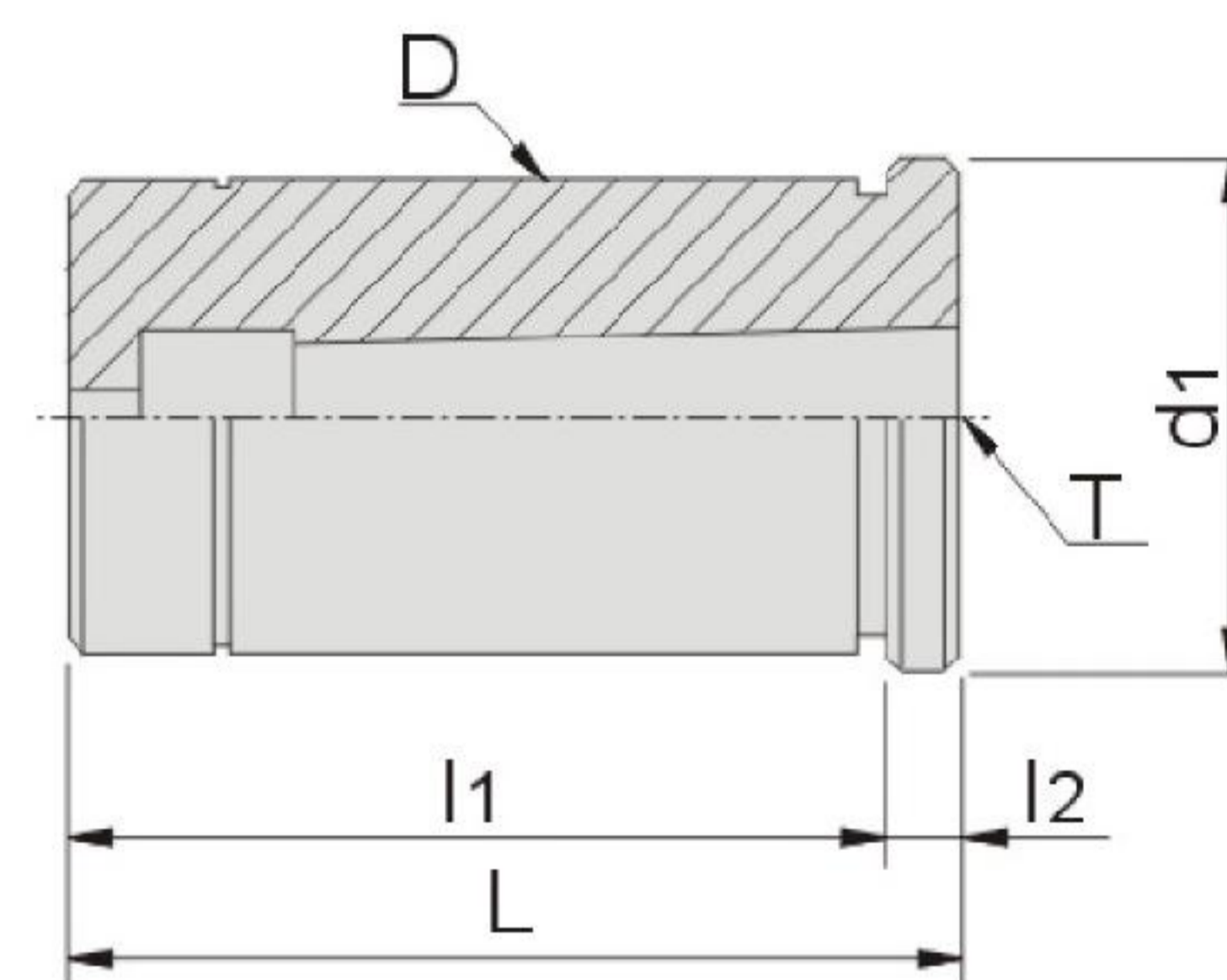


Order No.	Model	D	T	L	l1	l2
63000-01	C20xJT6	C20	JT6	80	55	25
63000-02	C32xJT3	C32	JT3	85	70	25
63000-03	C32xJT6	C32	JT6	105.95	70	35.95
63000-04	C42xJT3	C42	JT3	125	100	25
63000-05	C42xJT6	C42	JT6	135.95	100	35.95

63010

C/MT

Morse Taper Adapter With Straight Shank



Order No.	Model	D	T	L	l1	l2	d1
63010-01	C32xMT1	C32	MT1	61	56	5	35
63010-02	C32xMT2	C32	MT2	73	65	8	37
63010-03	C32xMT3	C32	MT3	92	72	20	37
63010-04	C42xMT1	C42	MT1	61	56	5	47
63010-05	C42xMT2	C42	MT2	74	66	8	47
63010-06	C42xMT3	C42	MT3	92	75	17	47