

Measuring Tool

55000

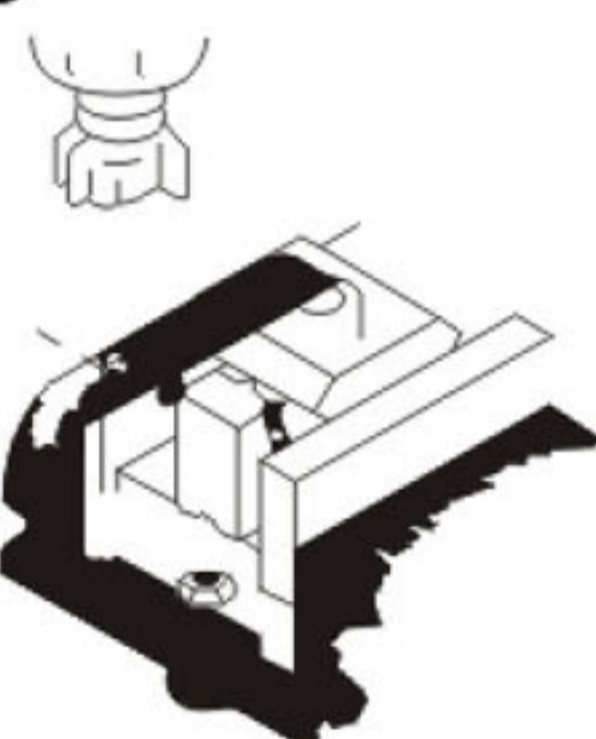
AP25/30/46

Adjustable Angle Plate

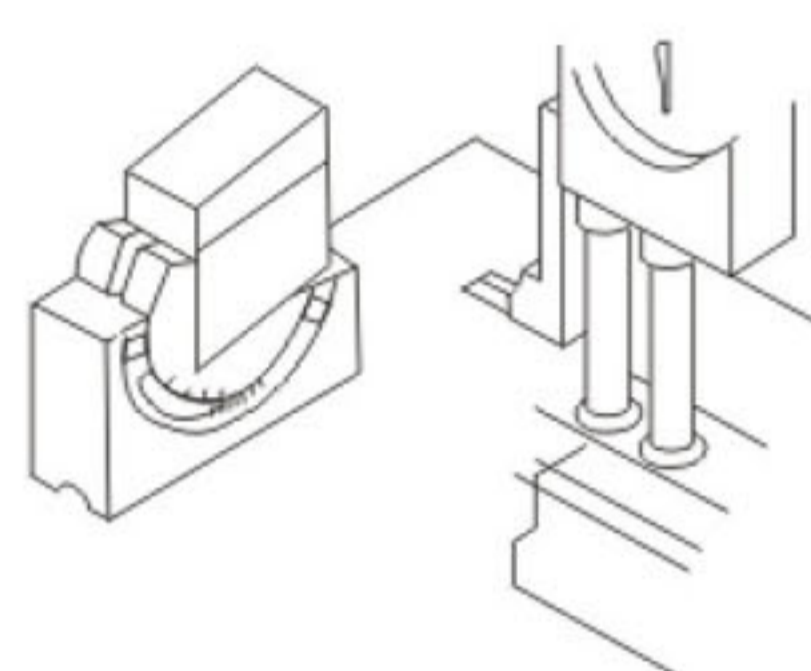
PAT: 192623
ZL 02 2 42472.5



Applying on milling machine.

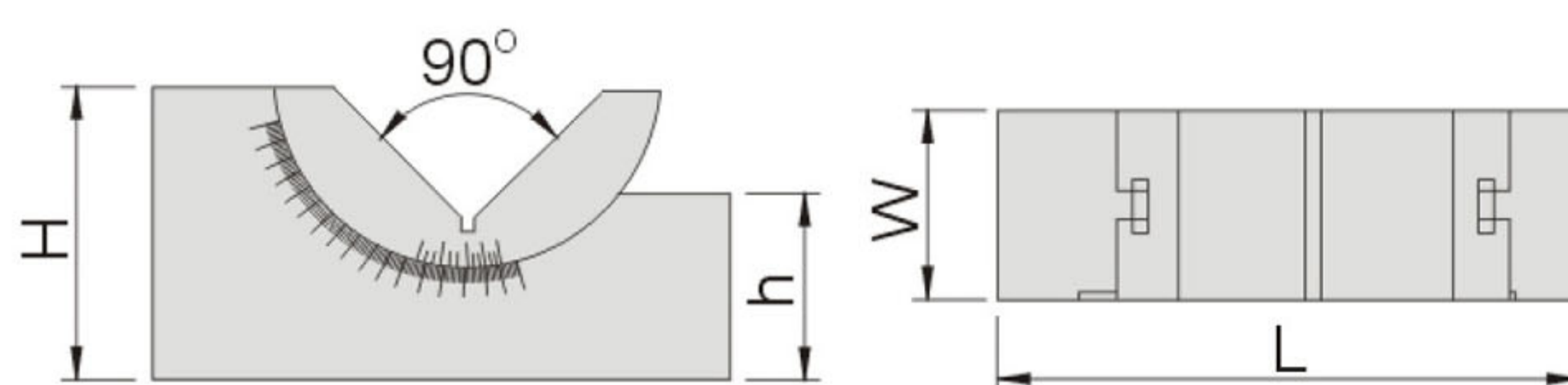


Mark out on a workpiece



Features:

- ▲ Made of tool steel.
- ▲ Suitable for placing on large vise for angular processing needs.
- ▲ Adjustable angle $30^{\circ} \sim 0^{\circ} \sim 60^{\circ}$



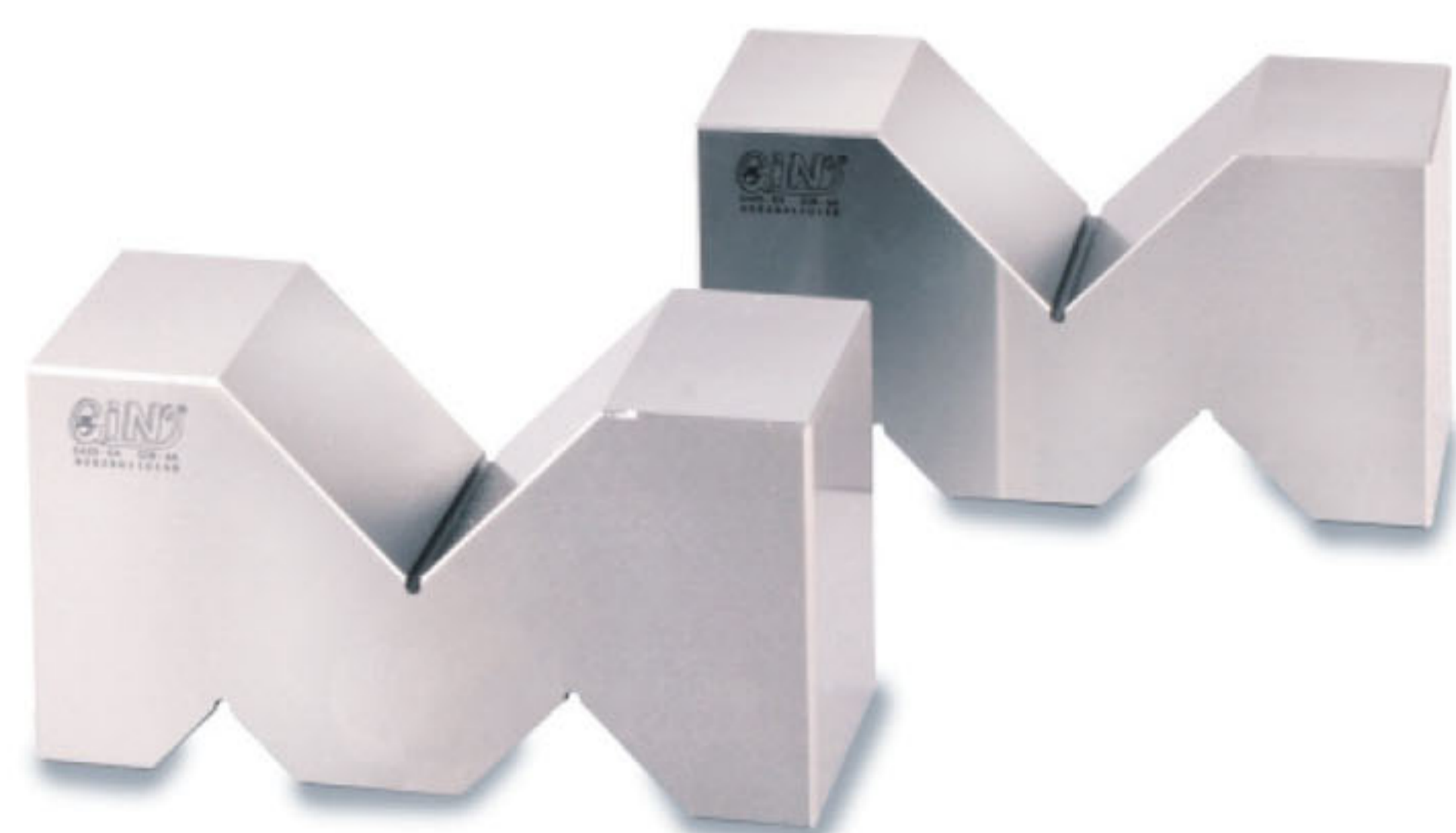
Unit:mm

Order No.	Model	L	W	H	h	N.W.
55000-25	AP25	75	25	36	25	0.4kg
55000-30	AP30	102	30	49	30	0.9kg
55000-46	AP46	102	46	49	30	1.4kg

55004

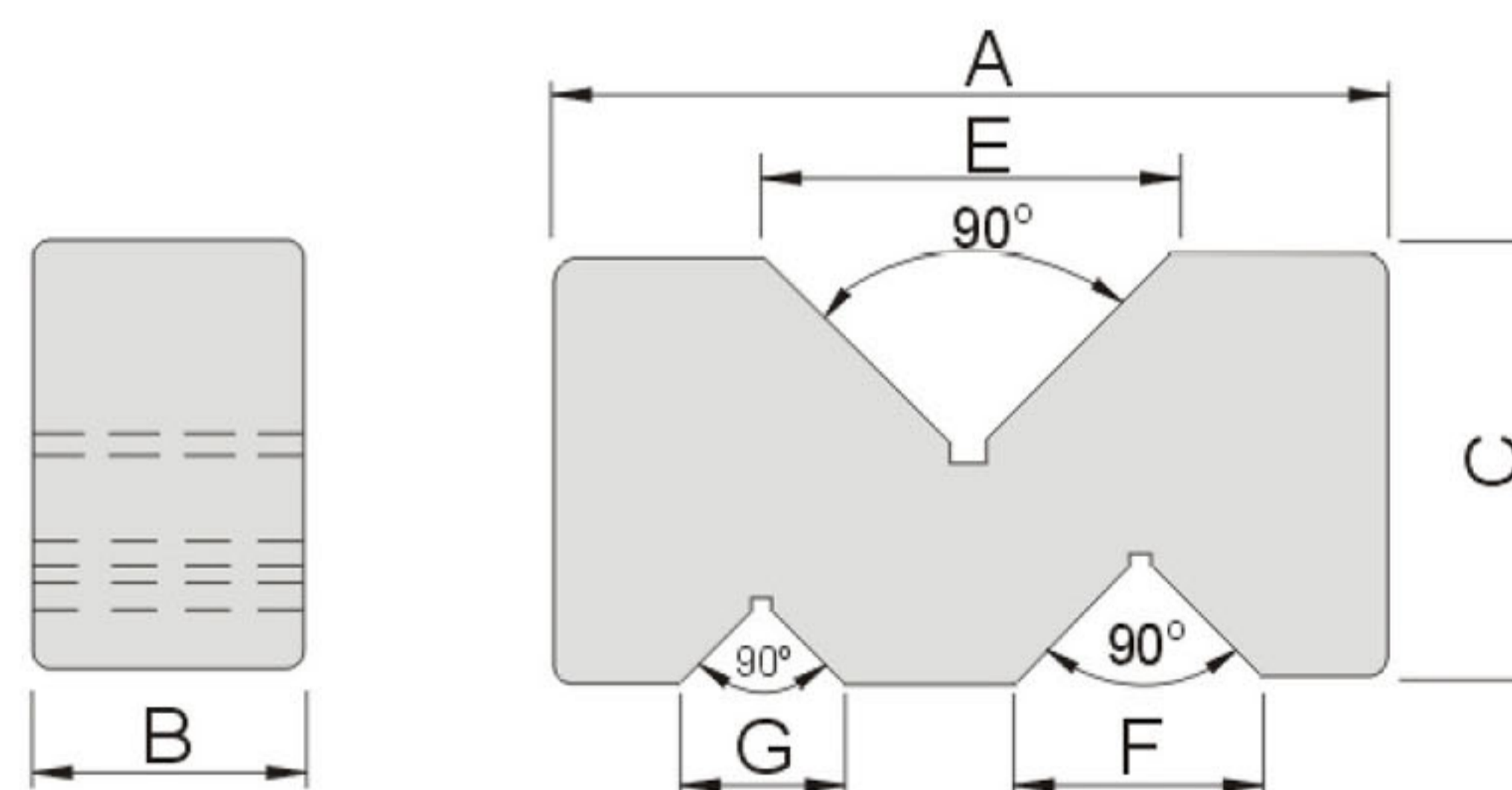
A2~6

B Type Vee Blocks



Features:

- ▲ Sold in pairs.
- ▲ V groove accuracy within 0.005mm, suitable for inspecting concentricity.



Unit:mm

Order No.	Model	A	B	C	E	F	G	N.W.
55004-02	A2	50	19	24	24	17	13	0.3kg
55004-03	A3	75	24	35	37	24	16	0.8kg
55004-04	A4	100	33	52	50	30	20	2.2kg
55004-05	A5	125	44	69	63	37	26	5.0kg
55004-06	A6	150	50	80	75	45	30	7.8kg