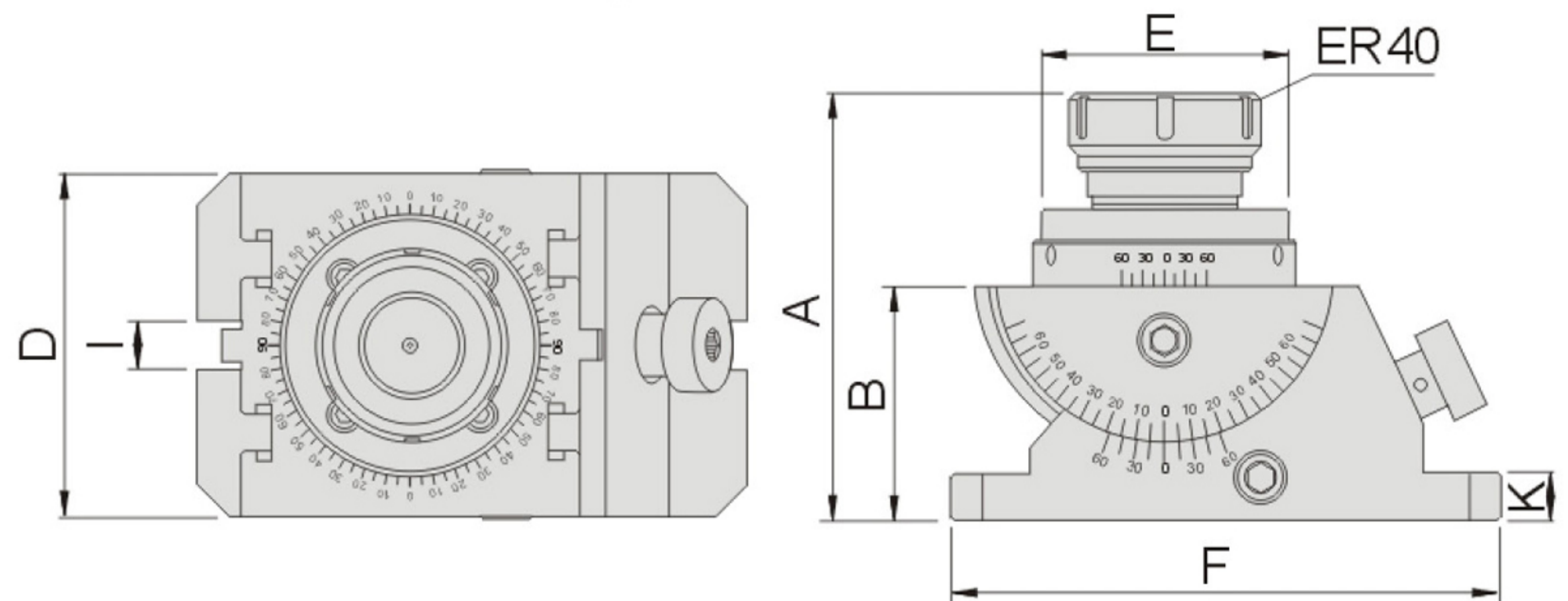


65006 CHM-ER40 Precision Universal ER Chuck



Features:

- Swivel base assembly with ER40 Chuck to achieve angle adjustments.
- Suitable for applying on milling, grinding and engraving... etc
- For more info on ER40 collet chuck, please refer to page F85.



Unit:mm

Order No.	Model	A	B	D	E	F	I	K	N.W.
65006	CHM-ER40	137	75	110	∅80	178	16	15	11kg

MILLING MACHINE ACCESSORIES

65008 CHM-SC Precision Universal ER Chuck

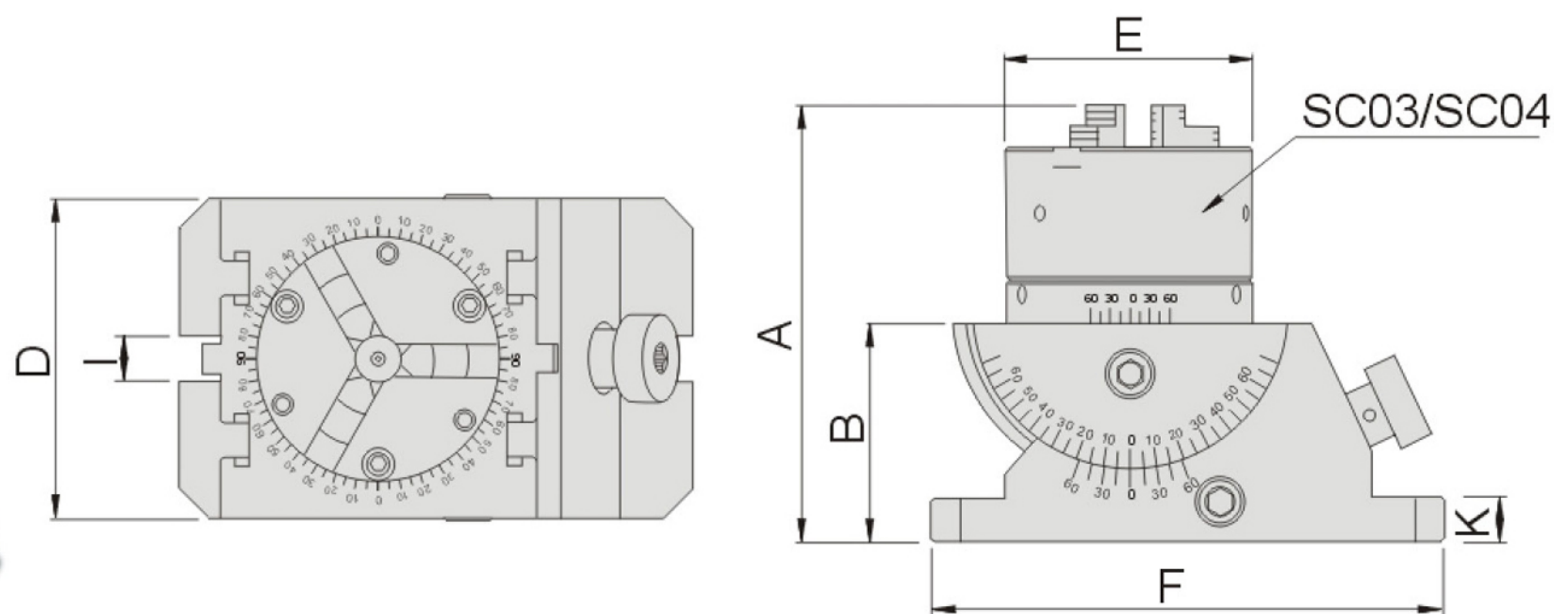
CHM-SC03



Features:

- Swivel base assembly with 3-Jaw Chuck to achieve angle adjustments.
- Suitable for applying on milling, grinding and engraving... etc
- For more info on 3-Jaw Chuck, please refer to page H01.

CHM-SC04



Unit:mm

Order No.	Model	A	B	D	E	F	I	K	N.W.
65008-01	CHM-SC03	150	75	110	∅85	178	16	15	12kg
65008-02	CHM-SC04	181	75	110	∅112	178	16	15	13kg