

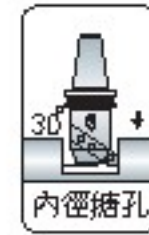
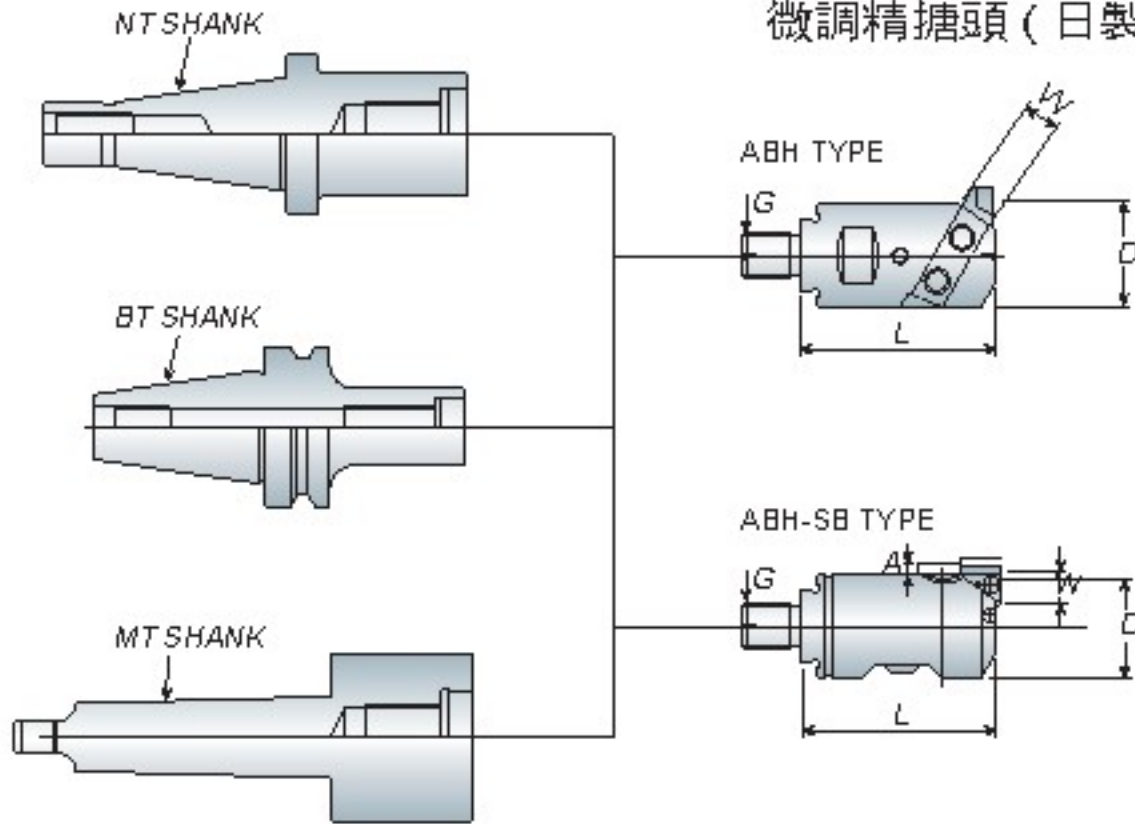
Fine Boring Head (KKS)

微調精搪頭 (日製)

ABH

BT / NT

series



ABH Type

Model No.	Boring Range		D	L	W	G	Weight (kg)
	Min.	Max.					
ABH 18(Fine)	22	32	18	50	6	M10x1.5P	0.20
ABH 23(Fine)	28	46	23	65	8	M12x1.75P	0.30
ABH 30(Fine)	36	60	30	80	10	M16x2.0P	0.50
ABH 40(Fine)	46	80	40	90	13	M18x2.5P	1.00
ABH 63(Fine)	70	130	63	97	16	M25x2.0P	2.30
ABH 83(Fine)	90	160	83	100	16	-	4.00

Unit: mm

- Throw away boring cutter must be ordered separately.
- Fine boring head is made in Japan(KKS).
- ABH 18 / ABH 23 / ABH 30 / ABH 40 adjust graduation: 0.05mm
- ABH 63 / ABH 83 adjust graduation: 0.01 mm
- 捨棄式搪刀架為另購品
- ABH 精搪頭為日製 (KKS)
- ABH 18 / ABH 23 / ABH 30 / ABH 40 調整刻度 : 0.05mm
- ABH 63 / ABH 83 調整刻度 : 0.01 mm

ABH-SB Type

Model No.	Boring Range		A	D	L	W	G	Insert	Weight (kg)
	Min.	Max.							
ABH-SB 18(Fine)	20	25	2.5	18	40		M10x1.5P		0.20
ABH-SB 23(Fine)	25	32	3.5	23	50		M12x1.75P	TPGX08	0.30
ABH-SB 30(Fine)	32	42	5	30	60	8.2	M16x2.0P	or	0.40
ABH-SB 40(Fine)	42	55	6.5	40	70		M18x2.5P	TPGT08	1.00
ABH-SB 50(Fine)	55	73	9	50	72		M22x2.5P		1.80

Unit: mm

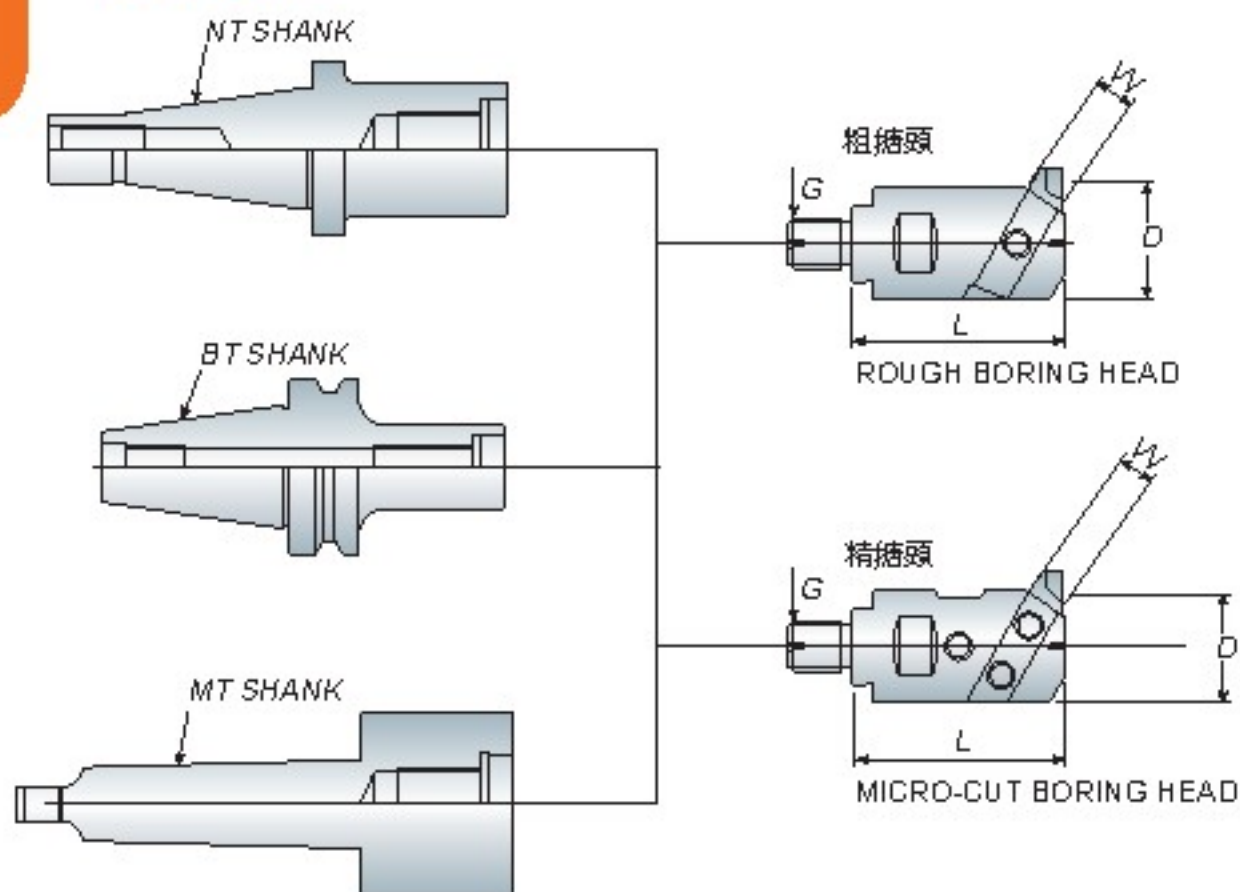


- ABH-SB fine boring head is coolant type.
- Fine boring head is made in Japan(KKS).
- Adjust graduation: 0.01 mm
- ABH-SB 精搪頭具有中心出水功能
- ABH-SB 精搪頭為日製 (KKS)
- 調整刻度 : 0.01 mm



BT / NT
series

ABH



Rough Boring Head (Taiwan)

粗搪頭 (台製)

Model No.	Boring Range		D	L	W	G	Weight (kg)
	Min.	Max.					
ABH18(Rough-T)	22	32	18	40	6	M10x1.5P	0.20
ABH23(Rough-T)	28	46	23	50	8	M12x1.75P	0.30
ABH30(Rough-T)	36	60	30	60	10	M16x2.0P	0.50
ABH40(Rough-T)	46	80	40	70	13	M18x2.5P	0.80
ABH63(Rough-T)	70	130	63	72	16	M25x2.0P	2.30
ABH83(Rough-T)	90	160	83	100	16	-	4.00

Unit: mm

- Throw away boring cutter must be ordered separately.
- Rough boring head is made in Taiwan.
- 捨棄式搪刀架為另購品
- ABH 粗搪頭為台製



Fine Boring Head (Taiwan)

微調精搪頭 (台製)

Model No.	Boring Range		D	L	W	G	Weight (kg)
	Min.	Max.					
ABH18(Fine-T)	22	32	18	50	6	M10x1.5P	0.40
ABH23(Fine-T)	28	46	23	65	8	M12x1.75P	0.50
ABH30(Fine-T)	36	60	30	80	10	M16x2.0P	0.70
ABH40(Fine-T)	46	80	40	90	13	M18x2.5P	1.40
ABH63(Fine-T)	70	130	63	97	16	M25x2.0P	2.80

Unit: mm

- Throw away boring cutter must be ordered separately.
- Fine boring head is made in Taiwan.
- Adjust graduation: 0.05mm
- 捨棄式搪刀架為另購品
- ABH 精搪頭為台製
- 調整刻度: 0.05mm

