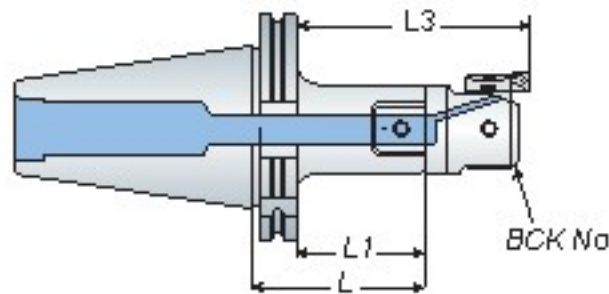
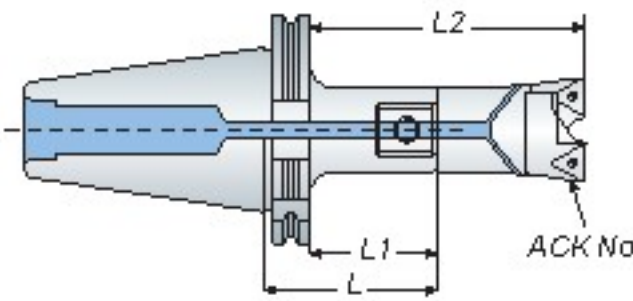


# Adjustable Balance Cutter Tool Holder

搪孔刀桿

# ACK BCK

**SK**  
series  
DIN 69871A



## Features

- ACK19 ~ ACK90 boring range is from 19mm ~ 122mm.
- BCK20 ~ BCK100 boring range is from 20mm ~ 203mm.
- The ACK holder is coolant type and both for rough and fine boring system.
- Rough boring uses the ACK cutter no. ; Fine boring uses the BCK cutter no.
- The cutter and insert must be ordered separately.
- ACK19 ~ ACK90 其搪孔範圍為：19mm ~ 122mm
- BCK20 ~ BCK100 其搪孔範圍為：20mm ~ 203mm
- 標準刀桿皆有中心出水功能，且為粗搪、精搪共通刀桿
- 粗搪加工配合 ACK 粗搪頭；精搪加工配合 BCK 精搪頭
- 搪頭和刀片為另購品

Model No.	L	L1	Adapter	ACK Cutter No.	L2	BCK Cutter No.	L3	Weight (kg)
SK40 ACK1-060	60	40.90	ACK1	ACK19	78.90	8CK20	73.40	1.00
-080	80	60.90	ACK1	ACK19	98.90	8CK20	93.40	1.10
ACK2-060	60	40.90	ACK2	ACK25	85.90	8CK25	76.40	1.10
-080	80	60.90	ACK2	ACK25	105.90	8CK25	96.40	1.10
-100	100	80.90	ACK2	ACK25	125.90	8CK25	116.40	1.20
-120	120	100.90	ACK2	ACK25	145.90	8CK25	136.40	1.30
ACK3-060	60	40.90	ACK3	ACK32	90.90	8CK32	80.90	1.10
-080	80	60.90	ACK3	ACK32	110.90	8CK32	100.90	1.10
-100	100	80.90	ACK3	ACK32	130.90	8CK32	120.90	1.20
-120	120	100.90	ACK3	ACK32	150.90	8CK32	140.90	1.40
ACK4-080	80	60.90	ACK4	ACK40	125.90	8CK41	107.90	1.30
-100	100	80.90	ACK4	ACK40	145.90	8CK41	127.90	1.50
-125	125	105.90	ACK4	ACK40	170.90	8CK41	152.90	1.70
ACK5-080	80	60.90	ACK5	ACK52	130.90	8CK53	117.90	1.50
-100	100	80.90	ACK5	ACK52	150.90	8CK53	137.90	1.90
-135	135	115.90	ACK5	ACK52	185.90	8CK53	172.90	2.40
ACK6-055	55	35.90	ACK6	ACK68/ACK90	115.90/125.90	8CK68/8CK100	106.90/106.90	1.30
SK50 ACK2-090	90	70.90	ACK2	ACK25	115.90	8CK25	106.40	3.10
-125	125	105.90	ACK2	ACK25	150.90	8CK25	141.40	3.20
ACK3-090	90	70.90	ACK3	ACK32	120.90	8CK32	110.90	3.10
-125	125	105.90	ACK3	ACK32	155.90	8CK32	145.90	3.40
ACK4-115	115	95.90	ACK4	ACK40	160.90	8CK41	142.90	3.60
-175	175	155.90	ACK4	ACK40	220.90	8CK41	202.90	3.80
ACK5-090	90	70.90	ACK5	ACK52	140.90	8CK53	127.90	3.70
-135	135	115.90	ACK5	ACK52	185.90	8CK53	172.90	4.30
-195	195	175.90	ACK5	ACK52	245.90	8CK53	232.90	5.40
ACK6-110	110	90.90	ACK6	ACK68/ACK90	170.90/180.90	8CK68/8CK100	161.90/161.90	4.20
-170	170	150.90	ACK6	ACK68/ACK90	230.90/240.90	8CK68/8CK100	221.90/221.90	5.40
-215	215	195.90	ACK6	ACK68/ACK90	275.90/285.90	8CK68/8CK100	266.90/266.90	7.10
-255	255	235.90	ACK6	ACK68/ACK90	315.90/325.90	8CK68/8CK100	306.90/306.90	8.30
-300	300	280.90	ACK6	ACK68/ACK90	360.90/370.90	8CK68/8CK100	351.90/351.90	8.90
-350	350	330.90	ACK6	ACK68/ACK90	410.90/420.90	8CK68/8CK100	401.90/401.90	10.80

Unit: mm



P59- BCK Cutter

P62- ACK Cutter