

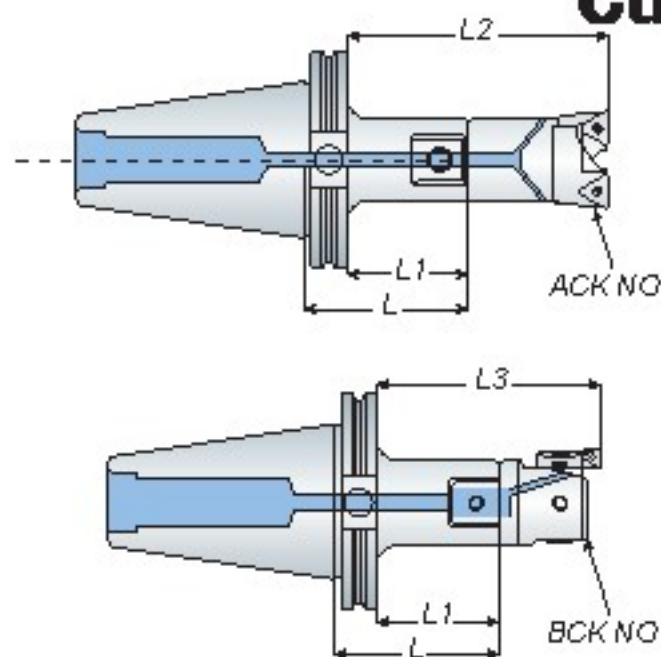
Adjustable Balance Cutter Tool Holder

搪孔刀桿

ACK BCK

CAT

series



Features

- ACK19 ~ ACK90 boring range is from 19mm ~ 122mm.
- BCK20 ~ BCK100 boring range is from 20mm ~ 203mm.
- The ACK holder is coolant type and both for rough and fine boring system.
- Rough boring uses the ACK cutter no. ; Fine boring uses the BCK cutter no.
- The cutter and insert must be ordered separately.
- ACK19 ~ ACK90 其搪孔範圍為：19mm ~ 122mm
- BCK20 ~ BCK100 其搪孔範圍為：20mm ~ 203mm
- 標準刀桿皆有中心出水功能，且為粗搪、精搪共通刀桿
- 粗搪加工配合 ACK 粗搪頭；精搪加工配合 BCK 精搪頭
- 搪頭和刀片為另購品

Model No.	L		L1	Adapter	ACK Cutter No.	L2	BCK Cutter No.	L3	Weight (kg)	
	mm	inch								
CAT40 ACK1-060	60	2.36"	40.95	ACK1	ACK19	78.95	BCK20	73.45	0.90	
	-080	80	3.15"	60.95	ACK1	ACK19	98.95	BCK20	93.45	1.00
ACK2-060	60	2.36"	40.95	ACK2	ACK25	85.95	BCK25	76.45	1.00	
	-080	80	3.15"	60.95	ACK2	ACK25	105.95	BCK25	96.45	1.00
	-100	100	3.94"	80.95	ACK2	ACK25	125.95	BCK25	116.45	1.10
	-120	120	4.72"	100.95	ACK2	ACK25	145.95	BCK25	136.45	1.20
ACK3-060	60	2.36"	40.95	ACK3	ACK32	90.95	BCK32	80.95	1.00	
	-080	80	3.15"	60.95	ACK3	ACK32	110.95	BCK32	100.95	1.00
	-100	100	3.94"	80.95	ACK3	ACK32	130.95	BCK32	120.95	1.10
	-120	120	4.72"	100.95	ACK3	ACK32	150.95	BCK32	140.95	1.30
ACK4-080	80	3.15"	60.95	ACK4	ACK40	125.95	BCK41	107.95	1.20	
	-100	100	3.94"	80.95	ACK4	ACK40	145.95	BCK41	127.95	1.40
	-125	125	4.92"	105.95	ACK4	ACK40	170.95	BCK41	152.95	1.60
ACK5-080	80	3.15"	60.95	ACK5	ACK52	130.95	BCK53	117.95	1.40	
	-100	100	3.94"	80.95	ACK5	ACK52	150.95	BCK53	137.95	1.80
	-135	135	5.31"	115.95	ACK5	ACK52	185.95	BCK53	172.95	2.30
ACK6-055	55	2.17"	35.95	ACK6	ACK68 ACK90	115.95 125.95	BCK68 BCK100	106.95 106.95	1.20	
CAT50 ACK2-090	90	3.54"	70.95	ACK2	ACK25	115.95	BCK25	106.45	3.00	
	-125	125	4.92"	105.95	ACK2	ACK25	150.95	BCK25	141.45	3.10
ACK3-090	90	3.54"	70.95	ACK3	ACK32	120.95	BCK32	110.95	3.00	
	-125	125	4.92"	105.95	ACK3	ACK32	155.95	BCK32	145.95	3.30
ACK4-115	115	4.53"	95.95	ACK4	ACK40	160.95	BCK41	142.95	3.50	
	-175	175	6.89"	155.95	ACK4	ACK40	220.95	BCK41	202.95	3.70
ACK5-090	90	3.54"	70.95	ACK5	ACK52	140.95	BCK53	127.95	3.60	
	-135	135	5.31"	115.95	ACK5	ACK52	185.95	BCK53	172.95	4.20
	-195	195	7.68"	175.95	ACK5	ACK52	245.95	BCK53	232.95	5.30
ACK6-110	110	4.33"	90.95	ACK6	ACK68 ACK90	170.95 180.95	BCK68 BCK100	161.95 161.95	4.10	
	-170	170	6.69"	150.95	ACK6	ACK68 ACK90	230.95 240.95	BCK68 BCK100	221.95 221.95	5.30
	-215	215	8.46"	195.95	ACK6	ACK68 ACK90	275.95 285.95	BCK68 BCK100	266.95 266.95	7.00

Unit: mm



P59-BCK Cutter

P62-ACK Cutter