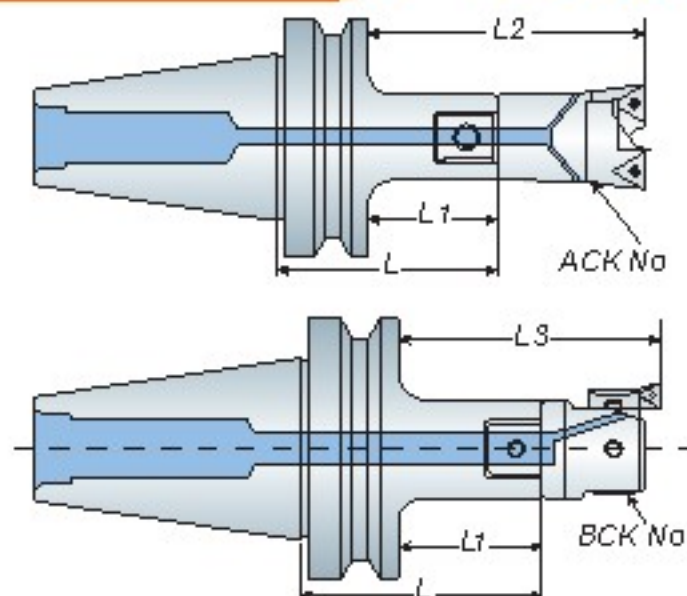


BT / NT
series

ACK
BCK

Adjustable Balance Cutter Tool Holder

搪孔刀桿



Features

- ACK19 ~ ACK90 boring range is from 19mm ~ 122mm.
- BCK20 ~ BCK100 boring range is from 20mm ~ 203mm.
- The ACK holder is coolant type and both for rough and fine boring system.
- Rough boring uses the ACK cutter no. ; Fine boring uses the BCK cutter no.
- The cutter and insert must be ordered separately.
- ACK19 ~ ACK90 其搪孔範圍為：19mm ~ 122mm
- BCK20 ~ BCK100 其搪孔範圍為：20mm ~ 203mm
- 標準刀桿皆有中心出水功能，且為粗搪、精搪共通刀桿
- 粗搪加工配合 ACK 粗搪頭；精搪加工配合 BCK 精搪頭
- 搪頭和刀片為另購品

Model No.	L	L1	Adapter	ACK Cutter No.	L2	BCK Cutter No.	L3	Weight (kg)
BT40 ACK1-060	60	35	ACK1	ACK19	73	BCK20	67.5	1.10
-080	80	55	ACK1	ACK19	93	BCK20	87.5	1.20
ACK2-060	60	35	ACK2	ACK25	80	BCK25	70.5	1.20
-080	80	55	ACK2	ACK25	100	BCK25	90.5	1.20
-100	100	75	ACK2	ACK25	120	BCK25	110.5	1.30
-120	120	95	ACK2	ACK25	140	BCK25	130.5	1.40
ACK3-060	60	35	ACK3	ACK32	85	BCK32	75	1.20
-080	80	55	ACK3	ACK32	105	BCK32	95	1.20
-100	100	75	ACK3	ACK32	125	BCK32	115	1.30
-120	120	95	ACK3	ACK32	145	BCK32	135	1.50
ACK4-080	80	55	ACK4	ACK40	120	BC K41	102	1.40
-100	100	75	ACK4	ACK40	140	BC K41	122	1.60
-125	125	100	ACK4	ACK40	165	BC K41	147	1.80
ACK5-080	80	55	ACK5	ACK52	125	BC K53	112	1.60
-100	100	75	ACK5	ACK52	145	BC K53	132	2.00
-135	135	110	ACK5	ACK52	180	BC K53	167	2.50
ACK6-055	55	30	ACK6	ACK68/AC K90	110/120	BC K68/BCK100	101/101	1.40
BT50 ACK1-100	100	65	ACK1	ACK19	103	BCK20	97.5	3.90
-125	125	90	ACK1	ACK19	128	BCK20	122.5	4.10
ACK2-090	90	55	ACK2	ACK25	100	BCK25	90.5	4.00
-125	125	90	ACK2	ACK25	135	BCK25	125.5	4.10
ACK3-090	90	55	ACK3	ACK32	105	BCK32	95	4.00
-125	125	90	ACK3	ACK32	140	BCK32	130	4.30
ACK4-115	115	90	ACK4	ACK40	155	BC K41	137	4.40
-175	175	140	ACK4	ACK40	205	BC K41	187	5.00
ACK5-090	90	55	ACK5	ACK52	125	BC K53	112	4.20
-135	135	80	ACK5	ACK52	150	BC K53	137	5.20
-195	195	160	ACK5	ACK52	230	BC K53	217	6.10
ACK6-110	110	75	ACK6	ACK68/AC K90	155/165	BC K68/BCK100	146/146	4.90
-170	170	135	ACK6	ACK68/AC K90	215/225	BC K68/BCK100	206/206	6.10
-215	215	180	ACK6	ACK68/AC K90	260/270	BC K68/BCK100	251/251	7.50
-255	255	220	ACK6	ACK68/AC K90	300/310	BC K68/BCK100	291/291	9.00
-300	300	265	ACK6	ACK68/AC K90	345/355	BC K68/BCK100	336/336	9.60
-350	350	315	ACK6	ACK68/AC K90	395/405	BC K68/BCK100	386/386	11.50



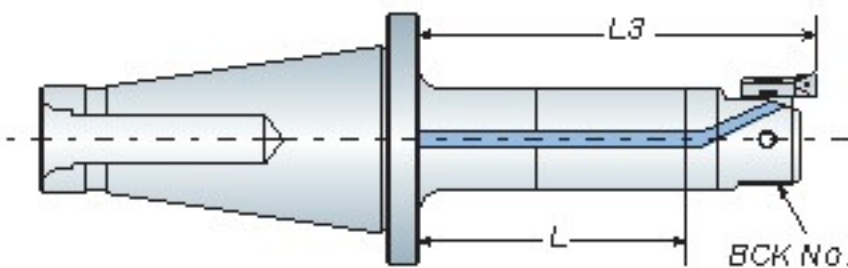
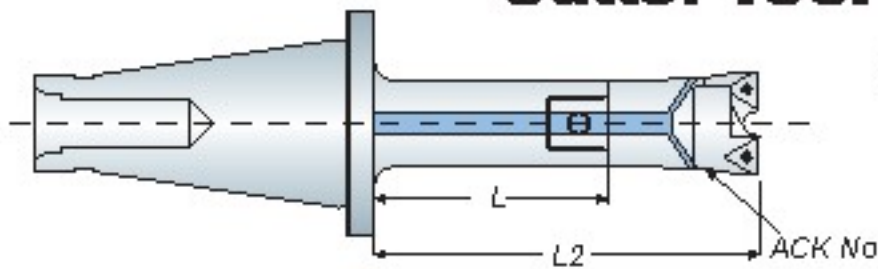
Unit: mm

Adjustable Balance Cutter Tool Holder

搪孔刀桿

ACK BCK

BT / NT series



Features

- When ordering, please specify the draw bolt with inch size or metric size.
- ACK19 ~ ACK90 boring range is from 19mm ~ 122mm.
- BCK20 ~ BCK100 boring range is from 20mm ~ 203mm.
- The ACK holder is coolant type and both for rough and fine boring system.
- Rough boring uses the ACK cutter no. ; Fine boring uses the BCK cutter no.
- The cutter and insert must be ordered separately.
- 請於訂購時，確認刀桿為英制或公制
- ACK19 ~ ACK90 其搪孔範圍為：19mm ~ 122mm
- BCK20 ~ BCK100 其搪孔範圍為：20mm ~ 203mm
- 標準刀桿皆有中心出水功能，且為粗搪、精搪共通刀桿
- 粗搪加工配合 ACK 粗搪頭；精搪加工配合 BCK 精搪頭
- 搪頭和刀片為另購品

Model No.	L	Adapter	ACK Cutter No.	L2	BCK Cutter No.	L3	Draw Bolt	Weight (kg)		
NT40	ACK1-060	60	ACK1	ACK19	98	BCK20	92.5	5/8" .11 M16x2.0P	0.80	
	-80	80	ACK1	ACK19	118	BCK20	112.5		1.00	
	ACK2-060	60	ACK2	ACK25	105	BCK25	95.5		1.00	
		-80	80	ACK2	ACK25	125	BCK25		115.5	1.10
		-100	100	ACK2	ACK25	145	BCK25		135.5	1.20
		-120	120	ACK2	ACK25	165	BCK25		155.5	1.30
	ACK3-060	60	ACK3	ACK32	110	BCK32	100		1.10	
		-80	80	ACK3	ACK32	130	BCK32		120	1.30
		-100	100	ACK3	ACK32	150	BCK32		140	1.40
		-120	120	ACK3	ACK32	170	BCK32		160	1.50
	ACK4-080	80	ACK4	ACK40	145	BCK41	127		1.50	
		-100	100	ACK4	ACK40	165	BCK41		147	1.70
-125		125	ACK4	ACK40	190	BCK41	172	1.90		
ACK5-080	80	ACK5	ACK52	150	BCK53	137	2.00			
	-100	100	ACK5	ACK52	170	BCK53	157	2.40		
	-135	135	ACK5	ACK52	205	BCK53	192	2.80		
ACK6-055	55	ACK6	ACK68/ACK90	135/145	BCK68/BCK100	126/126	1.60			
NT50	ACK2-090	90	ACK2	ACK25	135	BCK25	125.5	1" .8 M24x3.0P	3.30	
	-125	125	ACK2	ACK25	170	BCK25	160.5		4.00	
	ACK3-090	90	ACK3	ACK32	140	BCK32	130		3.40	
		-125	125	ACK3	ACK32	175	BCK32		165	4.00
	ACK4-115	115	ACK4	ACK40	180	BCK41	162		3.60	
		-175	175	ACK4	ACK40	240	BCK41		222	4.20
	ACK5-090	90	ACK5	ACK52	160	BCK53	147		3.90	
		-135	135	ACK5	ACK52	205	BCK53		192	4.50
		-195	195	ACK5	ACK52	265	BCK53		252	5.40
	ACK6-110	110	ACK6	ACK68/ACK90	190/200	BCK68/BCK100	181/181		4.40	
		-170	170	ACK6	ACK68/ACK90	250/260	BCK68/BCK100		241/241	5.70
		-215	215	ACK6	ACK68/ACK90	295/305	BCK68/BCK100		286/286	7.20
-255		255	ACK6	ACK68/ACK90	335/345	BCK68/BCK100	326/326	7.60		

Unit: mm



P59-BCK Cutter P62-ACK Cutter