

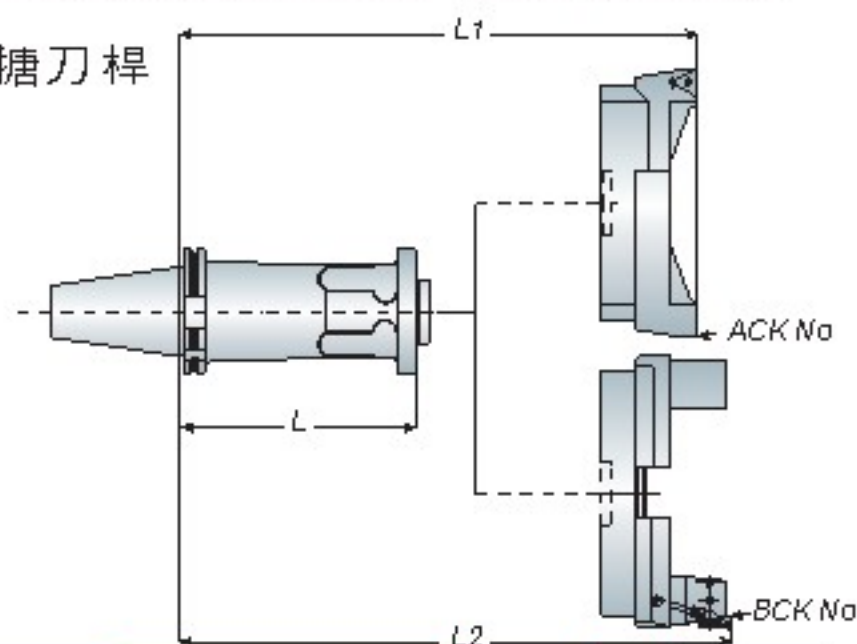
SK
series
DIN 69871A

BST



Adjustable Balance Cutter Tool Holder

大口徑雙刃粗搪刀桿



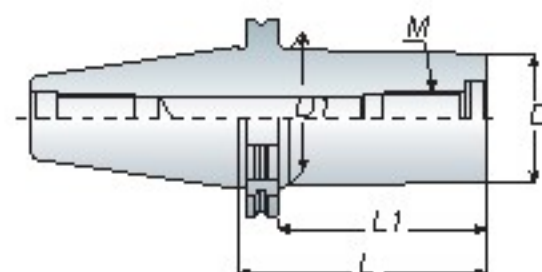
Model No.	D	L	ACK Cutter No.	L1		BCK Cutter No.	L2	Weight (kg)
				ACK120 ACK160	ACK200 ACK300 ACK400			
SK50 BST100	50	100		195	175		200	4.60
BST125	50	125		220	200		225	4.70
BST150	50	150		245	225		250	6.10
BST175	50	175		270	250		275	6.70
BST200	50	200	ACK120	295	275	BCK200	300	7.00
BST225	50	225	ACK160	320	300	BCK300	325	7.70
BST250	50	250	ACK200	345	325	BCK400	350	8.90
BST275	50	275	ACK300	370	350	BCK500	375	9.30
BST300	50	300	ACK400	395	375		400	10.20
BST350	50	350		445	425		450	12.90
BST400	50	400		495	475		500	13.80

Unit: mm

AMD

Screw-in End Mill Holder

圓刃銑刀桿



Model No.	M	D	D1	L	L1	Weight (kg)
SK40 AMD122-080	6	11	12	80	53	1.00
-100	6	11	12	100	73	1.10
AMD123-080	6	11	12	80	53	1.10
AMD162-080	8	13	16	80	53	1.10
-100	8	13	16	100	73	1.20
AMD202-080	10	18	20	80	53	1.10
-100	10	18	20	100	73	1.20
AMD253-080	12	21	25	80	53	1.20
-100	12	21	25	100	73	1.30
AMD354-080	16	29	35	80	53	1.30
-100	16	29	35	100	73	1.50
SK50 AMD122-100	6	11	12	100	62	3.20
-120	6	11	12	120	82	3.30
AMD162-100	8	13	16	100	62	3.20
-120	8	13	16	120	82	3.30
AMD202-100	10	18	20	100	62	3.30
-120	10	18	20	120	82	3.40
AMD253-100	12	21	25	100	62	3.30
-120	12	21	25	120	82	3.40
AMD354-100	16	29	35	100	62	3.40
-120	16	29	35	120	82	3.50

Unit: mm