

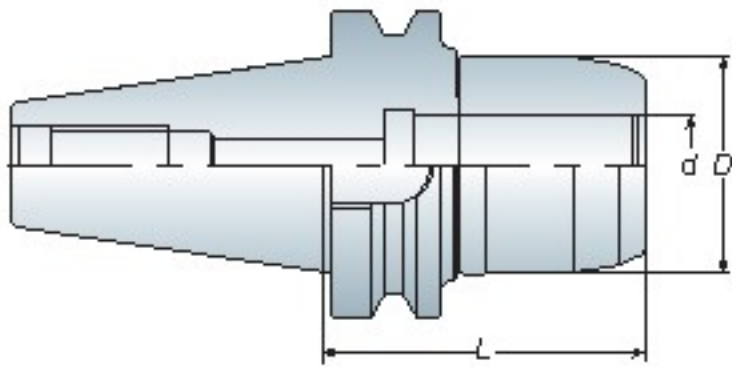
High Speed Milling Chuck

高轉速強力銑刀夾頭刀桿

ASG

BT / NT

series



Features

- ASG tooling system is suitable for high speed and high precision cutting.
- When using without collet, ASG tooling system is designed for coolant type - THROUGH TOOLS.
- Dust-proof design could extend tool holder lifetime.
- Wrench must be ordered separately
- Max speed: 30,000 r.p.m G2.5
- ASG 刀具系列適用於高轉速、高精密切削加工，切削效果佳
- 在沒有搭配筒夾的情況下使用，ASG 刀具系列為刀尖給油設計
- 特殊防塵設計，提升刀桿壽命
- 扳手為另購品
- 最高轉速可達 30,000 r.p.m G2.5

Model No.	Clamping Range	d	D	L	Collet Type	Weight (kg)
BT30 ASG12-070	3~12	12	35	70	SC12	1.10
ASG16-080	3~16	16	46	80	SC16	1.10
ASG20-085	4~20	20	54	85	SC20	1.40
BT40 ASG12-080	3~12	12	35	80	SC12	1.40
-095	3~12	12	35	95	SC12	1.50
-120	3~12	12	35	120	SC12	1.80
ASG16-080	3~16	16	46	80	SC16	1.60
-105	3~16	16	46	105	SC16	2.00
-135	3~16	16	46	135	SC16	2.40
ASG20-080	4~20	20	54	80	SC20	1.80
-105	4~20	20	54	105	SC20	2.30
-135	4~20	20	54	135	SC20	2.90
ASG25-090	6~25	25	58	90	SC25	2.00
-120	6~25	25	58	120	SC25	2.60
ASG32-105	6~32	32	68	105	SC32	2.40
-135	6~32	32	68	135	SC32	3.20
BT50 ASG12-090	3~12	12	35	90	SC12	4.10
-110	3~12	12	35	110	SC12	4.30
-135	3~12	12	35	135	SC12	4.40
ASG16-090	3~16	16	46	90	SC16	4.40
-110	3~16	16	46	110	SC16	4.70
-135	3~16	16	46	135	SC16	4.90
-150	3~16	16	46	150	SC16	5.20
ASG20-090	4~20	20	54	90	SC20	4.50
-110	4~20	20	54	110	SC20	5.00
-135	4~20	20	54	135	SC20	5.30
-150	4~20	20	54	150	SC20	5.40
ASG25-110	6~25	25	58	110	SC25	5.00
-150	6~25	25	58	150	SC25	5.40
ASG32-110	6~32	32	68	110	SC32	5.10
-150	6~32	32	68	150	SC32	6.40

Unit: mm



P6- Wrench

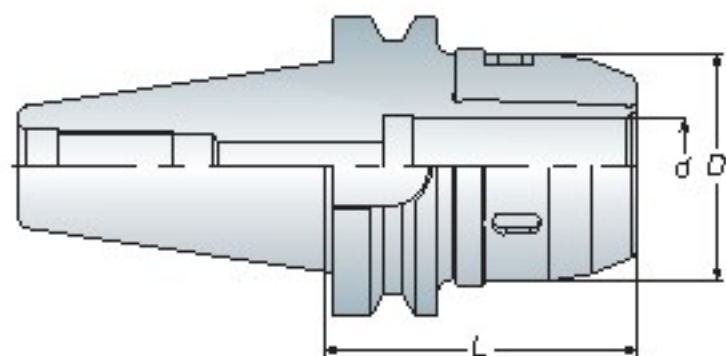
P6- SC Collet

BT / NT
series

ASC

High Speed Milling Chuck

高轉速強力銑刀夾頭刀桿



Features

- ASC tooling system is suitable for high speed and high precision cutting.
- When using without collet, ASC tooling system is designed for coolant type - THROUGH TOOLS.
- Dust-proof design could extend tool holder lifetime.
- C-type wrench is attached for each ASC milling chuck.
- Max speed: 30,000 r.p.m G2.5
- ASC 刀具系列用於高轉速、高精密切削加工，切削效果佳
- 在沒有搭配筒夾的情況下使用，ASC 刀具系列為刀尖給油設計
- 特殊防塵設計，提升刀桿壽命
- 每支 ASC 刀桿均附 1 支 C 型扳手
- 最高轉速可達 30,000 r.p.m G2.5

Model No.	Clamping Range	d	D	L	Collet Type	Weight (kg)
BT30 ASC16-080	3~16	16	46	80	SC16	1.10
ASC20-085	4~20	20	53	85	SC20	1.30
BT40 ASC16-080	3~16	16	46	80	SC16	1.60
-105	3~16	16	46	105	SC16	2.00
-135	3~16	16	46	135	SC16	2.40
ASC20-080	4~20	20	53	80	SC20	1.80
-105	4~20	20	53	105	SC20	2.30
-135	4~20	20	53	135	SC20	2.90
BT50 ASC16-090	3~16	16	46	90	SC16	4.40
-110	3~16	16	46	110	SC16	4.70
-135	3~16	16	46	135	SC16	4.90
-150	3~16	16	46	150	SC16	5.00
ASC20-090	4~20	20	53	90	SC20	4.50
-110	4~20	20	53	110	SC20	5.00
-135	4~20	20	53	135	SC20	5.60
-150	4~20	20	53	150	SC20	6.00

Unit: mm



P6- Wrench

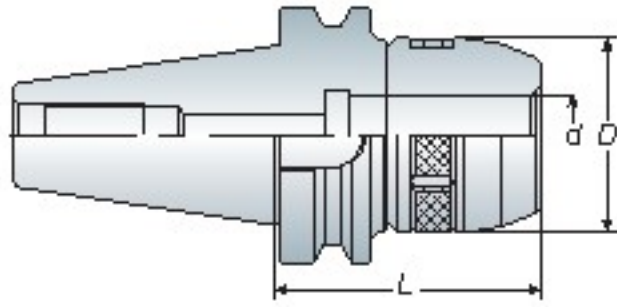
P6- SC Collet

Milling Chuck

強力銑刀夾頭刀桿

ASC

BT / NT series



Model No.	Clamping Range	d	D	L	Collet Type	Weight (kg)
BT30ASC25-085	6~25	25	58	85	SC25	1.30
BT40ASC25-090	6~25	25	58	90	SC25	1.90
-130	6~25	25	58	130	SC25	2.70
ASC32-095	6~32	32	68	95	SC32	2.20
-105	6~32	32	68	105	SC32	2.80
-130	6~32	32	68	130	SC32	3.30
BT50ASC25-100	6~25	25	58	100	SC25	4.60
-150	6~25	25	58	150	SC25	5.50
ASC32-105	6~32	32	76	105	SC32	5.20
-150	6~32	32	76	150	SC32	6.40
-200	6~32	32	76	200	SC32	8.50
-250	6~32	32	76	250	SC32	9.70
ASC42-110	6~42	42	84	110	SC42	5.50
-160	6~42	42	84	160	SC42	7.60

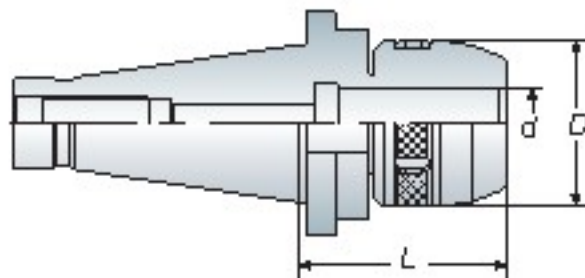
Unit: mm



Without Collet -
Through tools
刀尖出水

With Collet -
Through collets
筒夾出水

- C-type wrench is attached for each ASC milling chuck.
- 每支 ASC 刀桿均附 1 支 C 型扳手



Milling Chuck

強力銑刀夾頭刀桿

Model No.	Clamping Range	d	D	L	Collet Type	Draw Bolt	Weight (kg)
NT30ASC20-085	4~20	20	53	85	SC20		1.60
ASC25-080	6~25	25	58	80	SC25	1/2" - 12 M12x1.75P	1.40
ASC32-090	6~32	32	68	90	SC32		1.80
NT40ASC25-080	6~25	25	58	80	SC25		1.80
-130	6~25	25	58	130	SC25	5/8" - 11 M16x2.0P	2.60
ASC32-085	6~32	32	68	85	SC32		2.20
-130	6~32	32	68	130	SC32		3.00
NT50ASC25-085	6~25	25	58	85	SC25		3.90
-150	6~25	25	58	150	SC25		5.30
ASC32-090	6~32	32	76	90	SC32	1" - 8 M24x3.0P	4.60
-150	6~32	32	76	150	SC32		5.60
ASC42-095	6~42	42	84	95	SC42		4.70
-150	6~42	42	84	150	SC42		6.80

Unit: mm



- When ordering, please specify the draw bolt with inch size or metric size.
- C-type wrench is attached for each ASC milling chuck.
- 請於訂購時，確認刀桿為英制或公制
- 每支 ASC 刀桿均附 1 支 C 型扳手



P6- Wrench

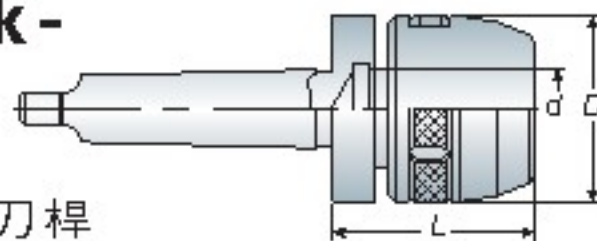
P6- SC Collet

BT / NT
series

ASC

Morse Taper Shank - Tang Type

莫氏錐度強力銑刀夾頭刀桿



- C-type wrench is attached for each ASC milling chuck.
- 每支 ASC 刀桿均附 1 支 C 型扳手



- C-type wrench is attached for each ASC milling chuck.
- 每支 ASC 刀桿均附 1 支 C 型扳手

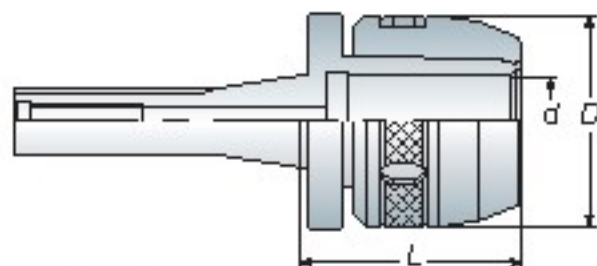


P6- Wrench

P6- SC Collet

R8 Taper Shank

R8 強力銑刀夾頭



Model No.	Clamping Range	d	D	L	Collet Type	Weight (kg)
R8 ASC25-070	6~25	25	58	70	SC25	1.40
ASC32-075	6~32	32	68	75	SC32	1.70

Unit: mm

Straight Collet Set

直束筒夾組

Model No.	Specification	Weight (kg)
SC12-6PCS	3,4,5,6,8,10	0.40
SC16-6PCS	3,4,6,8,10,12	1.80
SC20-6PCS	6,8,10,12,14,16	2.10
SC25-6PCS	6,8,10,12,16,20	2.40
SC32-7PCS (Metric)	6,8,10,12,16,20,25	3.80
SC32-7PCS (Inch)	1/4, 5/16, 3/8, 1/2, 5/8, 3/4, 1	3.80
SC42-8PCS	6,8,10,12,16,20,25,32	6.10

Unit: mm

