

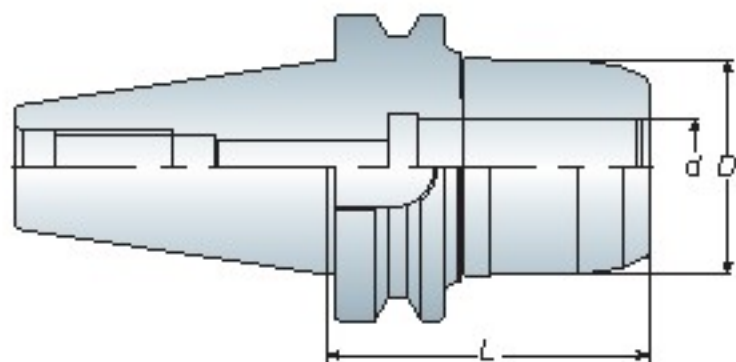
High Speed Milling Chuck

高轉速強力銑刀夾頭刀桿

ASG

ABT

Double-Face-Contact series



Features

- ASG tooling system is suitable for high speed and high precision cutting.
- When using without collet, ASG tooling system is designed for coolant type - THROUGH TOOLS.
- Dust-proof design could extend tool holder lifetime.
- Wrench must be ordered separately.
- Max speed: 30,000 r.p.m G2.5
- ABT-ASG is produced by order.
- ASG 刀具系列適用於高轉速、高精密切削加工，切削效果佳
- 在沒有搭配筒夾的情況下使用，ASG 刀具系列為刀尖給油設計
- 特殊防塵設計，提升刀桿壽命
- ASG 扳手為另購品
- 最高轉速可達 30,000 r.p.m G2.5
- ABT-ASG 為訂單生產品

Model No.	Clamping Range	d	D	L	Collet Type	Weight (kg)
ABT 30 ASG12-070	3~12	12	35	70	SC12	1.10
ASG16-080	3~16	16	46	80	SC16	1.10
ASG20-085	4~20	20	54	85	SC20	1.40
ABT 40 ASG12-080	3~12	12	35	80	SC12	1.40
ASG16-080	3~16	16	46	80	SC16	1.60
ASG20-080	4~20	20	54	80	SC20	1.80
ASG25-090	6~25	25	58	90	SC25	2.00
ASG32-105	6~32	32	68	105	SC32	2.40
ABT 50 ASG12-110	3~12	12	35	110	SC12	4.30
ASG16-110	3~16	16	46	110	SC16	4.70
-150	3~16	16	46	150	SC16	5.20
ASG20-110	4~20	20	54	110	SC20	5.00
-150	4~20	20	54	150	SC20	5.40
ASG25-110	6~25	25	58	110	SC25	5.00
-150	6~25	25	58	150	SC25	5.40
ASG32-110	6~32	32	68	110	SC32	5.10
-150	6~32	32	68	150	SC32	6.40

Unit: mm



P6- Wrench

P6- SC Collet

ABT
Double-Face-Contact series

ASC

High Speed Milling Chuck

高轉速強力銑刀夾頭刀桿

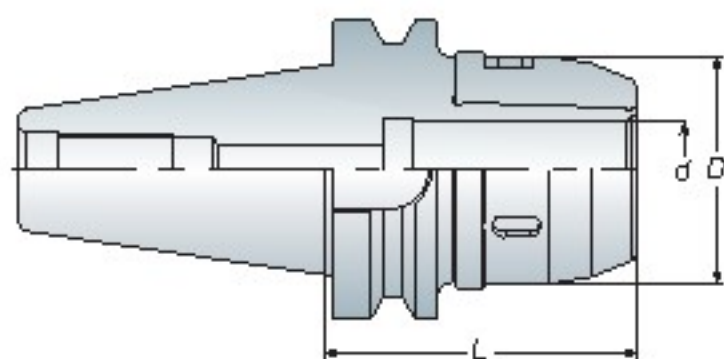


FIG 1



FIG 2



Features

- ASC tooling system is suitable for high speed and high precision cutting.
- When using without collet, ASC tooling system is designed for coolant type - THROUGH TOOLS.
- Dust-proof design could extend tool holder lifetime.
- C-type wrench is attached for each ASC milling chuck.
- Max speed: 30,000 r.p.m G2.5
- ABT-ASC is produced by order.
- ASC 刀具系列用於高轉速、高精密切削加工，切削效果佳
- 在沒有搭配筒夾的情況下使用，ASC 刀具系列為刀尖給油設計
- 特殊防塵設計，提升刀桿壽命
- 每支 ASC 刀桿均附 1 支 C 型扳手
- 最高轉速可達 30,000 r.p.m G2.5
- ABT-ASC 為訂單生產品

Model No.	FIG.	Clamping Range	d	D	L	Collet Type	Weight (kg)
ABT30 ASC16-080	1	3~16	16	46	80	SC16	1.10
ASC20-085	1	4~20	20	53	85	SC20	1.30
ABT40 ASC16-080	1	3~16	16	46	80	SC16	1.60
ASC20-080	1	4~20	20	53	80	SC20	1.80
ASC25-090	2	6~25	25	58	90	SC25	1.90
ASC32-105	2	6~32	32	68	105	SC32	2.80
ABT50 ASC16-110	1	3~16	16	46	110	SC16	4.70
-150	1	3~16	16	46	150	SC16	5.00
ASC20-110	1	4~20	20	53	110	SC20	5.00
-150	1	4~20	20	53	150	SC20	6.00
ASC25-100	2	6~25	25	58	100	SC25	4.60
-150	2	6~25	25	58	150	SC25	5.50
ASC32-105	2	6~32	32	76	105	SC32	5.20
-150	2	6~32	32	76	150	SC32	6.40
ASC42-110	2	6~42	42	84	110	SC42	5.50
-160	2	6~42	42	84	160	SC42	7.60

Unit: mm



P6- Wrench

P6- SC Collet