

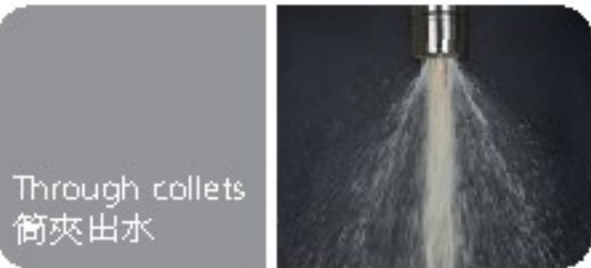
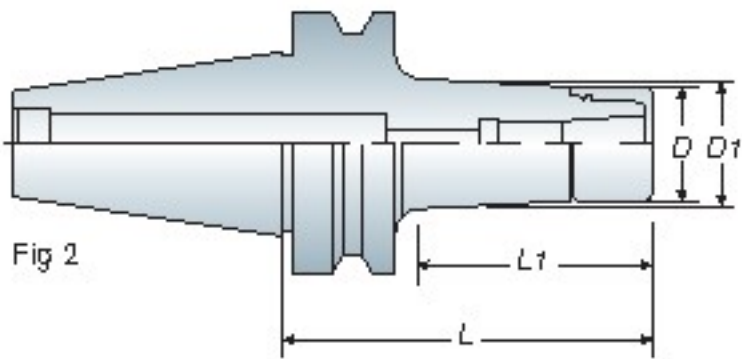
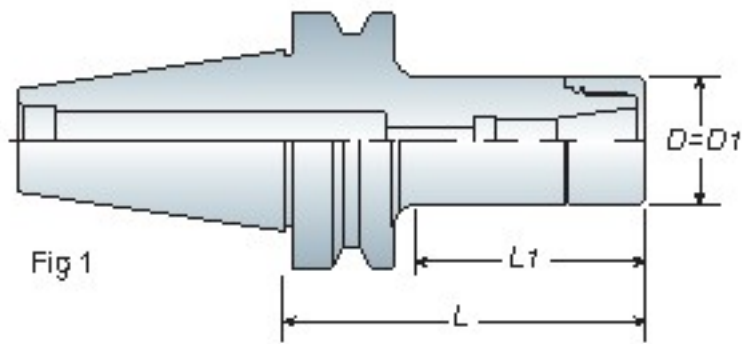
# High Speed Collet Chuck

高轉速高精度立銑刀本體

# AVC

# BT / NT

series



## Features

- AVC long type collet with angle 8° increase clamping force and cutting rigidity and precision.
- Special nut design provides better cutting conditions and reducing cutting vibrations.
- Wrench must be ordered separately.
- Max Speed: 30,000 r.p.m G2.5
- 8° 長筒夾設計提升高夾持力，高剛性及高精度
- 刀桿柄壁的增厚設計大幅提升切削剛性
- 螺帽獨特設計可降低高轉速切削時的風阻及噪音並提升工作效能
- AVC 扳手為另購品
- 最高轉速可達 30,000 r.p.m G2.5

| Model No.      | FIG. | Clamping Range | D  | D1 | L   | L1  | Weight (kg) |
|----------------|------|----------------|----|----|-----|-----|-------------|
| BT30 AVC06-045 | 1    | 2~6            | 27 | 27 | 45  | 23  | 0.55        |
| -060           | 2    | 2~6            | 27 | 29 | 60  | 35  | 0.60        |
| -090           | 2    | 2~6            | 27 | 32 | 90  | 65  | 0.80        |
| AVC10-060      | 1    | 3~10           | 33 | 33 | 60  | 40  | 0.70        |
| -090           | 2    | 3~10           | 33 | 40 | 90  | 70  | 0.80        |
| AVC12-060      | 1    | 3~12           | 40 | 40 | 60  | 37  | 0.70        |
| -090           | 1    | 3~12           | 40 | 40 | 90  | 67  | 1.00        |
| -120           | 1    | 3~12           | 40 | 40 | 120 | 97  | 1.30        |
| BT40 AVC06-060 | 1    | 2~6            | 27 | 27 | 60  | 30  | 1.20        |
| -090           | 2    | 2~6            | 27 | 31 | 90  | 60  | 1.35        |
| -120           | 2    | 2~6            | 27 | 34 | 120 | 90  | 1.50        |
| AVC10-060      | 1    | 3~10           | 33 | 33 | 60  | 35  | 1.30        |
| -090           | 2    | 3~10           | 33 | 40 | 90  | 65  | 1.50        |
| -120           | 2    | 3~10           | 33 | 44 | 120 | 95  | 1.70        |
| AVC12-060      | 1    | 3~12           | 40 | 40 | 60  | 31  | 1.30        |
| -090           | 2    | 3~12           | 40 | 44 | 90  | 60  | 1.60        |
| -120           | 2    | 3~12           | 40 | 47 | 120 | 90  | 2.00        |
| BT50 AVC06-105 | 2    | 2~6            | 27 | 32 | 105 | 62  | 4.10        |
| -135           | 2    | 2~6            | 27 | 35 | 135 | 92  | 4.30        |
| -165           | 2    | 2~6            | 27 | 38 | 165 | 122 | 4.50        |
| AVC10-105      | 2    | 3~10           | 33 | 41 | 105 | 70  | 4.30        |
| -135           | 2    | 3~10           | 33 | 44 | 135 | 100 | 4.50        |
| -165           | 2    | 3~10           | 33 | 47 | 165 | 130 | 4.80        |
| AVC12-105      | 2    | 3~12           | 40 | 44 | 105 | 62  | 4.30        |
| -135           | 2    | 3~12           | 40 | 47 | 135 | 92  | 4.70        |
| -165           | 2    | 3~12           | 40 | 51 | 165 | 122 | 5.10        |

Unit: mm



P21- AVC Collet

P21- AVC Nut

P21- Wrench

