

Throw Away Boring Cutter

捨棄式搪刀架

TBS
TSBS
SBS

BT / NT
series

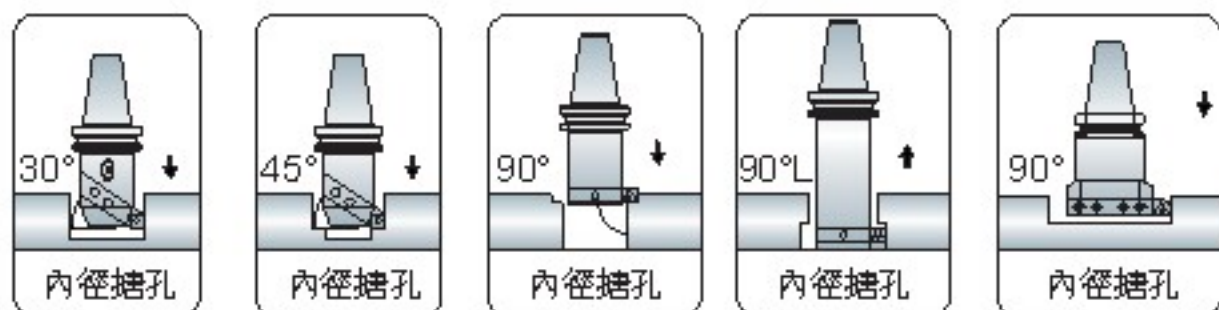


FIG.	Insert Shape	FIG. 1	Insert	FIG. 2	Insert	FIG. 2	Insert	Dimension			
		Model No.		Model No.		Model No.		H	W	L	
1		TBS306	CC..0602..	TSBS306	TC..0902..	SBS306	TP..0902..	6	6	55	
		TBS308	CC..0602..	TSBS308	TC..0902..	SBS308	TP..0902..	8	8	55	
		TBS310	CC..0602..	TSBS310	TC..0902..	SBS310	TP..0902..	10	10	65	
	2		TBS313	CC..09T3..	TSBS313	TC..1102..	SBS313	TP..1103..	13	13	80
			TBS316	CC..09T3..	TSBS316	TC..16T3..	SBS316	TP..1103..	16	16	120
			TBS319	CC..1204..	TSBS319	TC..16T3..	SBS319	TP..1603..	19	19	140
1		TBS406	CC..0602..	TSBS406	TC..0902..	SBS406	TP..0902..	6	6	55	
		TBS408	CC..0602..	TSBS408	TC..0902..	SBS408	TP..0902..	8	8	55	
		TBS410	CC..0602..	TSBS410	TC..0902..	SBS410	TP..0902..	10	10	65	
	2		TBS413	CC..09T3..	TSBS413	TC..1102..	SBS413	TP..1103..	13	13	80
			TBS416	CC..09T3..	TSBS416	TC..16T3..	SBS416	TP..1103..	16	16	120
			TBS419	CC..1204..	TSBS419	TC..16T3..	SBS419	TP..1603..	19	19	140
1		TBS906	CC..0602..	TSBS906	TC..0902..	SBS906	TP..0902..	6	6	55	
		TBS908	CC..0602..	TSBS908	TC..0902..	SBS908	TP..0902..	8	8	55	
		TBS910	CC..0602..	TSBS910	TC..0902..	SBS910	TP..0902..	10	10	65	
	2		TBS913	CC..09T3..	TSBS913	TC..1102..	SBS913	TP..1103..	13	13	80
			TBS916	CC..09T3..	TSBS916	TC..16T3..	SBS916	TP..1103..	16	16	120
			TBS919	CC..1204..	TSBS919	TC..16T3..	SBS919	TP..1603..	19	19	140
1		TBS925	CC..1204..	TSBS925	TC..16T3..	SBS925	TP..1603..	25	25	150	
		TBS908L	CC..0602..					8	8	55	
		TBS910L	CC..0602..					10	10	65	
		TBS913L	CC..09T3..					13	13	80	
		TBS916L	CC..09T3..					16	16	120	
		TBS919L	CC..1204..					19	19	140	
TBS925L	CC..1204..					25	25	150			

Unit: mm

Insert	Screw	Wrench	Insert	Screw	Wrench	Insert	Screw	Wrench
CC 0602	MS2506A	T9	TC 0902	MS2206A	T7	TP 0902	MS2506A	T9
CC 09T3	MS4011A	T15	TC 1102	MS2506A	T9	TP 1103	MS3008A	T9
CC 1204	MS5011A	T20	TC 16T3	MS4011A	T15	TP 1603	MS4011A	T15

- Insert must be ordered separately.
- 刀片為另購品