

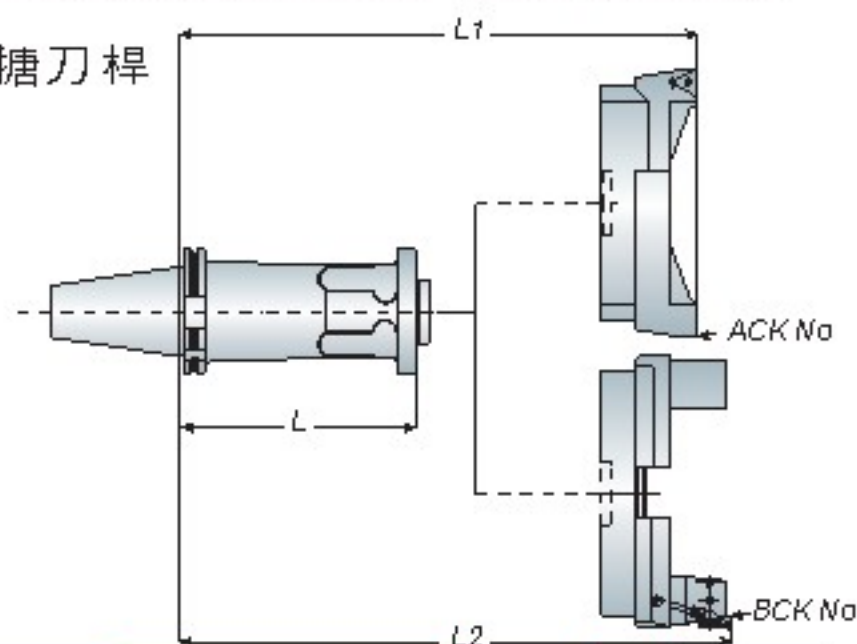
**SK**  
series  
DIN 69871A

**BST**



## Adjustable Balance Cutter Tool Holder

大口徑雙刃粗搪刀桿



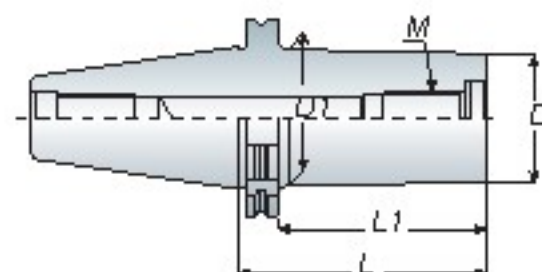
| Model No.   | D  | L   | ACK Cutter No. | L1               |                            | BCK Cutter No. | L2  | Weight (kg) |
|-------------|----|-----|----------------|------------------|----------------------------|----------------|-----|-------------|
|             |    |     |                | ACK120<br>ACK160 | ACK200<br>ACK300<br>ACK400 |                |     |             |
| SK50 BST100 | 50 | 100 |                | 195              | 175                        |                | 200 | 4.60        |
| BST125      | 50 | 125 |                | 220              | 200                        |                | 225 | 4.70        |
| BST150      | 50 | 150 |                | 245              | 225                        |                | 250 | 6.10        |
| BST175      | 50 | 175 |                | 270              | 250                        |                | 275 | 6.70        |
| BST200      | 50 | 200 | ACK120         | 295              | 275                        | BCK200         | 300 | 7.00        |
| BST225      | 50 | 225 | ACK160         | 320              | 300                        | BCK300         | 325 | 7.70        |
| BST250      | 50 | 250 | ACK200         | 345              | 325                        | BCK400         | 350 | 8.90        |
| BST275      | 50 | 275 | ACK300         | 370              | 350                        | BCK500         | 375 | 9.30        |
| BST300      | 50 | 300 | ACK400         | 395              | 375                        |                | 400 | 10.20       |
| BST350      | 50 | 350 |                | 445              | 425                        |                | 450 | 12.90       |
| BST400      | 50 | 400 |                | 495              | 475                        |                | 500 | 13.80       |

Unit: mm

**AMD**

## Screw-in End Mill Holder

圓刃銑刀桿



| Model No.       | M  | D  | D1 | L   | L1 | Weight (kg) |
|-----------------|----|----|----|-----|----|-------------|
| SK40 AMD122-080 | 6  | 11 | 12 | 80  | 53 | 1.00        |
| -100            | 6  | 11 | 12 | 100 | 73 | 1.10        |
| AMD123-080      | 6  | 11 | 12 | 80  | 53 | 1.10        |
| AMD162-080      | 8  | 13 | 16 | 80  | 53 | 1.10        |
| -100            | 8  | 13 | 16 | 100 | 73 | 1.20        |
| AMD202-080      | 10 | 18 | 20 | 80  | 53 | 1.10        |
| -100            | 10 | 18 | 20 | 100 | 73 | 1.20        |
| AMD253-080      | 12 | 21 | 25 | 80  | 53 | 1.20        |
| -100            | 12 | 21 | 25 | 100 | 73 | 1.30        |
| AMD354-080      | 16 | 29 | 35 | 80  | 53 | 1.30        |
| -100            | 16 | 29 | 35 | 100 | 73 | 1.50        |
| SK50 AMD122-100 | 6  | 11 | 12 | 100 | 62 | 3.20        |
| -120            | 6  | 11 | 12 | 120 | 82 | 3.30        |
| AMD162-100      | 8  | 13 | 16 | 100 | 62 | 3.20        |
| -120            | 8  | 13 | 16 | 120 | 82 | 3.30        |
| AMD202-100      | 10 | 18 | 20 | 100 | 62 | 3.30        |
| -120            | 10 | 18 | 20 | 120 | 82 | 3.40        |
| AMD253-100      | 12 | 21 | 25 | 100 | 62 | 3.30        |
| -120            | 12 | 21 | 25 | 120 | 82 | 3.40        |
| AMD354-100      | 16 | 29 | 35 | 100 | 62 | 3.40        |
| -120            | 16 | 29 | 35 | 120 | 82 | 3.50        |

Unit: mm