

## High Speed Collet Chuck

高速彈性筒夾本體

Model No.	D	L1	L	G	Weight (kg)
BT30 ERA11-055	22	35	55	M18x1.0P	0.55
ERA16-065	28	45	65	M24x1.0P	0.65
ERA20-065	32	45	65	M28x1.5P	0.70
ERA25-060	38	40	60	M32x1.5P	0.70
BT40 ERA11-070	22	45	70	M18x1.0P	1.20
-100	22	75	100	M18x1.0P	1.20
ERA16-070	28	45	70	M24x1.0P	1.30
-100	28	75	100	M24x1.0P	1.30
ERA20-080	32	55	80	M28x1.5P	1.40
-100	32	75	100	M28x1.5P	1.50
ERA25-080	38	55	80	M32x1.5P	1.40
-100	38	75	100	M32x1.5P	1.50
ERA32-080	46	55	80	M40x1.5P	1.50
-100	46	75	100	M40x1.5P	1.80
BT50 ERA11-080	22	45	80	M18x1.0P	3.90
-110	22	75	110	M18x1.0P	4.00
ERA16-080	28	45	80	M24x1.0P	4.00
-110	28	75	110	M24x1.0P	4.10
ERA20-090	32	55	90	M28x1.5P	4.10
-110	32	75	110	M28x1.5P	4.20
ERA25-090	38	55	90	M32x1.5P	4.10
-110	38	75	110	M32x1.5P	4.30
ERA32-090	46	55	90	M40x1.5P	4.20
-110	46	75	110	M40x1.5P	4.50

Unit: mm

# ERA

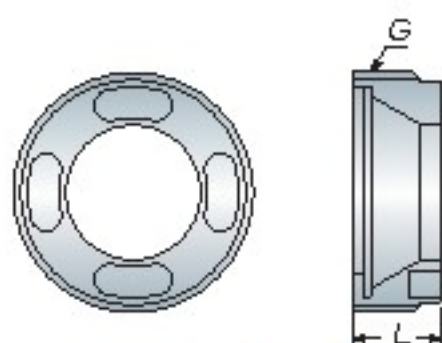
## BT / NT series



- The clamping nuts for ERA are special designed to be fitted internally into the holder. The special design could provide better cutting conditions and reducing cutting vibrations.
- Wrench must be ordered separately
- Max speed: 30,000 r.p.m G2.5
- 特殊內藏式螺帽設計：可降低及減少切削時所產生的阻力與振動，並提升加工品質及穩定性
- ERA 扳手為另購品
- 最高轉速可達 30,000 r.p.m G2.5



P11- ER Collet



## Nut & Wrench

螺帽與扳手

Model No.	L	G	Collet Type	Weight (kg)
ERA11-NUT	6	M18x1.0P	ER11	0.01
ERA16-NUT	8	M24x1.0P	ER16	0.02
ERA20-NUT	11	M28x1.5P	ER20	0.02
ERA25-NUT	12.5	M32x1.5P	ER25	0.03
ERA32-NUT	14	M40x1.5P	ER32	0.06

Unit: mm

Model No.	Weight (kg)
WERA11	0.03
WERA16	0.07
WERA20	0.07
WERA25	0.13
WERA32	0.17

# ERA

