

High Speed Collet Chuck

高速彈性筒夾本體

ERA

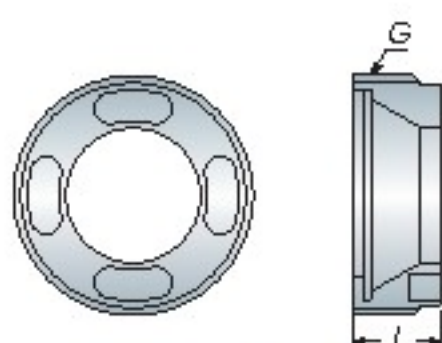
BT / NT series

Model No.	D	L1	L	G	Weight (kg)
BT30 ERA11-055	22	35	55	M18x1.0P	0.55
ERA16-065	28	45	65	M24x1.0P	0.65
ERA20-065	32	45	65	M28x1.5P	0.70
ERA25-060	38	40	60	M32x1.5P	0.70
BT40 ERA11-070	22	45	70	M18x1.0P	1.20
-100	22	75	100	M18x1.0P	1.20
ERA16-070	28	45	70	M24x1.0P	1.30
-100	28	75	100	M24x1.0P	1.30
ERA20-080	32	55	80	M28x1.5P	1.40
-100	32	75	100	M28x1.5P	1.50
ERA25-080	38	55	80	M32x1.5P	1.40
-100	38	75	100	M32x1.5P	1.50
ERA32-080	46	55	80	M40x1.5P	1.50
-100	46	75	100	M40x1.5P	1.80
BT50 ERA11-080	22	45	80	M18x1.0P	3.90
-110	22	75	110	M18x1.0P	4.00
ERA16-080	28	45	80	M24x1.0P	4.00
-110	28	75	110	M24x1.0P	4.10
ERA20-090	32	55	90	M28x1.5P	4.10
-110	32	75	110	M28x1.5P	4.20
ERA25-090	38	55	90	M32x1.5P	4.10
-110	38	75	110	M32x1.5P	4.30
ERA32-090	46	55	90	M40x1.5P	4.20
-110	46	75	110	M40x1.5P	4.50

Unit: mm



- The clamping nuts for ERA are special designed to be fitted internally into the holder. The special design could provide better cutting conditions and reducing cutting vibrations.
- Wrench must be ordered separately
- Max speed: 30,000 r.p.m G2.5
- 特殊內藏式螺帽設計：可降低及減少切削時所產生的阻力與振動，並提升加工品質及穩定性
- ERA 扳手為另購品
- 最高轉速可達 30,000 r.p.m G2.5



Nut & Wrench

螺帽與扳手

Model No.	L	G	Collet Type	Weight (kg)
ERA11-NUT	6	M18x1.0P	ER11	0.01
ERA16-NUT	8	M24x1.0P	ER16	0.02
ERA20-NUT	11	M28x1.5P	ER20	0.02
ERA25-NUT	12.5	M32x1.5P	ER25	0.03
ERA32-NUT	14	M40x1.5P	ER32	0.06

Unit: mm

Model No.	Weight (kg)
WERA11	0.03
WERA16	0.07
WERA20	0.07
WERA25	0.13
WERA32	0.17

ERA



BT / NT
series

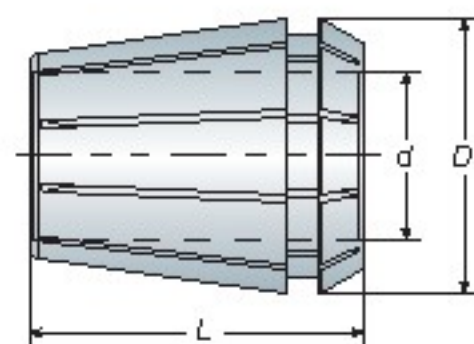
ER

Spring Collet

彈性筒夾



- Collet must be assembled into the clamping nut before inserting into the chuck



Metric Size

Model No.	D	L	d	Weight (kg)
ER08	8.5	13.5	1, 1.5, 2, 2.5, 3, 3.5, 4, 4.5, 5	0.01
ER11	11.5	18	1, 1.5, 2, 2.5, 3, 3.5, 4, 4.5, 5, 5.5, 6, 6.5, 7	0.01
ER16	17	27	1, 1.5, 2, 2.5, 3, 3.5, 4, 4.5, 5, 5.5, 6, 6.5, 7, 7.5, 8, 8.5, 9, 9.5, 10	0.03
ER20	21	31	1, 1.5, 2, 2.5, 3, 3.5, 4, 4.5, 5, 5.5, 6, 6.5, 7, 7.5, 8, 8.5, 9, 9.5, 10, 10.5, 11, 11.5, 12, 12.5, 13	0.04
ER25	26	35	2, 3, 4, 5, 6, 7, 8, 9, 10, 11, 12, 13, 14, 15, 16	0.07
ER32	33	40	2, 3, 4, 5, 6, 7, 8, 9, 10, 11, 12, 13, 14, 15, 16, 17, 18, 19, 20	0.15
ER40	41	46	3, 4, 5, 6, 7, 8, 9, 10, 11, 12, 13, 14, 15, 16, 17, 18, 19, 20, 21, 22, 23, 24, 25, 26	0.27
ER50	52	60	12, 14, 16, 18, 20, 22, 24, 26, 28, 30, 32, 34	0.45

Unit: mm

Inch Size

Model No.	D	L	d	Weight (kg)
ER11	11.5	18	1/32, 1/16, 3/32, 1/8, 3/16, 7/32, 1/4	0.01
ER16	17	27	1/32, 1/16, 3/32, 1/8, 3/16, 7/32, 1/4, 5/16, 11/32, 3/8	0.03
ER20	21	31	1/16, 3/32, 1/8, 3/16, 7/32, 1/4, 5/16, 11/32, 3/8, 13/32, 7/16, 1/2	0.04
ER25	26	35	1/16, 3/32, 1/8, 3/16, 7/32, 1/4, 5/16, 11/32, 3/8, 13/32, 7/16, 1/2, 17/32, 9/16, 5/8	0.07
ER32	33	40	3/32, 1/8, 3/16, 7/32, 1/4, 5/16, 11/32, 3/8, 13/32, 7/16, 1/2, 17/32, 9/16, 5/8, 21/32, 11/16, 3/4, 25/32	0.15
ER40	41	46	1/8, 3/16, 7/32, 1/4, 5/16, 11/32, 3/8, 13/32, 7/16, 1/2, 17/32, 9/16, 5/8, 21/32, 11/16, 3/4, 25/32, 13/8, 6, 27/32, 7/8, 15/8, 6, 31/32, 1	0.27

Unit: mm

ER08		ER11		ER16		ER20		ER25		ER32		ER40		ER50	
No.	Range	No.	Range	No.	Range	No.	Range	No.	Range	No.	Range	No.	Range	No.	Range
ER08-01	1.0-0.5	ER11-01	1.0-0.5	ER16-01	1.0-0.5	ER20-01	1.0-0.5	ER25-02	2.0-1.0	ER32-02	2.0-1.0	ER40-03	3.0-2.0	ER50-12	12-10
ER08-1.5	1.5-1.0	ER11-1.5	1.5-1.0	ER16-1.5	1.5-1.0	ER20-1.5	1.5-1.0	ER25-03	3.0-2.0	ER32-03	3.0-2.0	ER40-04	4.0-3.0	ER50-14	14-12
ER08-02	2.0-1.5	ER11-02	2.0-1.5	ER16-02	2.0-1.0	ER20-02	2.0-1.0	ER25-04	4.0-3.0	ER32-04	4.0-3.0	ER40-05	5.0-4.0	ER50-16	16-14
ER08-2.5	2.5-2.0	ER11-2.5	2.5-2.0	ER16-2.5	2.5-2.0	ER20-2.5	2.5-2.0	ER25-05	5.0-4.0	ER32-05	5.0-4.0	ER40-06	6.0-5.0	ER50-18	18-16
ER08-03	3.0-2.5	ER11-03	3.0-2.5	ER16-03	3.0-2.0	ER20-03	3.0-2.0	ER25-06	6.0-5.0	ER32-06	6.0-5.0	ER40-07	7.0-6.0	ER50-20	20-18
ER08-3.5	3.5-3.0	ER11-3.5	3.5-3.0	ER16-3.5	3.5-3.0	ER20-3.5	3.5-3.0	ER25-07	7.0-6.0	ER32-07	7.0-6.0	ER40-08	8.0-7.0	ER50-22	22-20
ER08-04	4.0-3.5	ER11-04	4.0-3.5	ER16-04	4.0-3.0	ER20-04	4.0-3.0	ER25-08	8.0-7.0	ER32-08	8.0-7.0	ER40-09	9.0-8.0	ER50-24	24-22
ER08-4.5	4.5-4.0	ER11-4.5	4.5-4.0	ER16-4.5	4.5-4.0	ER20-4.5	4.5-4.0	ER25-09	9.0-8.0	ER32-09	9.0-8.0	ER40-10	10-9.0	ER50-26	26-24
ER08-05	5.0-4.5	ER11-05	5.0-4.5	ER16-05	5.0-4.0	ER20-05	5.0-4.0	ER25-10	10-9.0	ER32-10	10-9.0	ER40-11	11-10	ER50-28	28-26
		ER11-5.5	5.5-5.0	ER16-5.5	5.5-5.0	ER20-5.5	5.5-5.0	ER25-11	11-10	ER32-11	11-10	ER40-12	12-11	ER50-30	30-28
		ER11-06	6.0-5.5	ER16-06	6.0-5.0	ER20-06	6.0-5.0	ER25-12	12-11	ER32-12	12-11	ER40-13	13-12	ER50-32	32-30
		ER11-6.5	6.5-6.0	ER16-6.5	6.5-6.0	ER20-6.5	6.5-6.0	ER25-13	13-12	ER32-13	13-12	ER40-14	14-13	ER50-34	34-32
		ER11-07	7.0-6.5	ER16-07	7.0-6.0	ER20-07	7.0-6.0	ER25-14	14-13	ER32-14	14-13	ER40-15	15-14		
				ER16-7.5	7.5-7.0	ER20-7.5	7.5-7.0	ER25-15	15-14	ER32-15	15-14	ER40-16	16-15		
				ER16-08	8.0-7.0	ER20-08	8.0-7.0	ER25-16	16-15	ER32-16	16-15	ER40-17	17-16		
				ER16-8.5	8.5-8.0	ER20-8.5	8.5-8.0			ER32-17	17-16	ER40-18	18-17		
				ER16-09	9.0-8.0	ER20-09	9.0-8.0			ER32-18	18-17	ER40-19	19-18		
				ER16-9.5	9.5-9.0	ER20-9.5	9.5-9.0			ER32-19	19-18	ER40-20	20-19		
				ER16-10	10-9.0	ER20-10	10-9.0			ER32-20	20-19	ER40-21	21-20		
						ER20-10.5	10.5-10					ER40-22	22-21		
						ER20-11	11-10					ER40-23	23-22		
						ER20-11.5	11.5-11					ER40-24	24-23		
						ER20-12	12-11					ER40-25	25-24		
						ER20-12.5	12.5-12					ER40-26	26-25		
						ER20-13	13-12								

- ER08 ~ ER20 建議夾持範圍皆為 0.5mm (Suggested clamping range should be 0.5mm)