

Face Mill Cutter

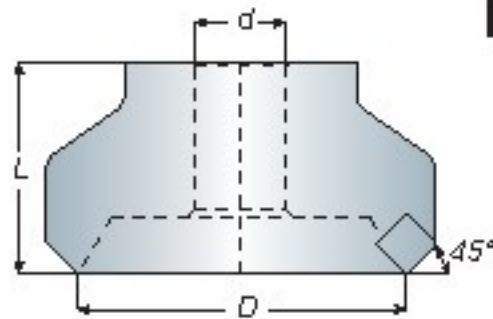
面銑刀盤

SE4R45

Accessories

Model No.	Insert 	d		D	D1	L	Screw 	Wrench 
		mm	inch					
50A-SE4R45-4T	SEHW1204	22	25.4	50	60	45	M4.5x0.75	T20
63A-SE4R45-5T		22	25.4	63	73	45		
80B-SE4R45-6T		27	25.4	80	90	50		
100B-SE4R45-6T		32	31.75	100	110	50		
125B-SE4R45-7/8/9T		40	38.1	125	135	63		
160C-SE4R45-10T		40	50.8	160	170	63		
200C-SE4R45-12T		60	47.625	200	210	63		
250C-SE4R45-14T		60	47.625	250	260	63		


Unit: mm



Face Mill Cutter

面銑刀盤

SE545

Model No.	Insert 	d		D	L	Teeth
		mm	inch			
SE545R0304	SEEN1504	27	25.4	80	50	4
SE545R0405		32	31.75	100	55	5
SE545R0506		40	38.1	125	55	6
SE545R0608		40	50.8	160	60	8
SE545R0810		60	47.625	200	60	10
SE545R1012		60	47.625	250	65	12
SE545R1214		60	47.625	315	65	14
SE545R1416		60	47.625	360	65	16
SE545R0407		32	31.75	100	55	7
SE545R0509		40	38.1	125	55	9
SE545R0611		40	50.8	160	60	11
SE545R0814		60	47.625	200	60	14
SE545R1018		60	47.625	250	65	18
SE545R1222		60	47.625	315	65	22
SE545R1426		60	47.625	360	65	26

Unit: mm



Locator 	Insert Clamp 	Clamp Screw 	Locator Screw 	Washer 	Wrench 
SEL60-10	CP50-7	CS70-1	CS70-2	CS70-3	TW040

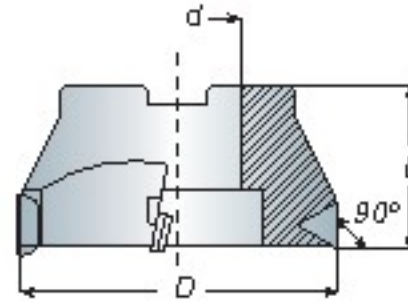
Accessories

TPR



Face Mill Cutter

面銑刀盤



Model No.	Insert	d	D	L	Teeth	Clamp	Shim	Shim Screw	Key (mm)	Wrench
TPR-50	TPMN160308	22	50	50	3	Y-TPR4 1/4-28	-	-	4	YA-L5
TPR-63-22		22	63	50	4					
TPR-63	TPMN220412	25.4	63	50	3	Y-TPR5 5/16-24	Y-TPR2	Y-TPR1	5	
TPR-63(S)		25.4	63	50	3					
TPR-63-4T	TPMN160308	25.4	63	50	4	Y-TPR4	-	-	4	
TPR-03	TPMN220412	25.4	80	55	4	Y-TPR5 5/16-24	Y-TPR2	Y-TPR1 M4.0x0.7	5	
TPR-03-31.75		31.75	80	55	4					
TPR-04		31.75	100	60	5					
TPR-05		38.1	125	60	6					
TPR-06		50.8	160	60	7					
TPR-08		47.625	200	65	8					
TPR-10		47.625	250	65	9					

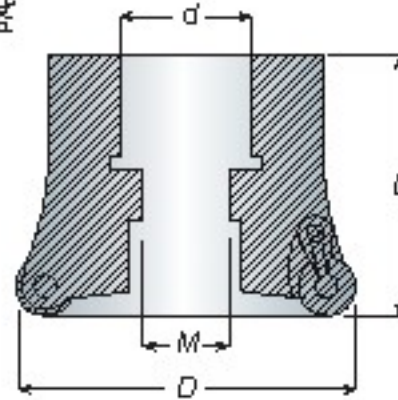
Unit: mm

RD



Corner Rounding Cutter

圓刃銑刀盤



Model No.	Insert	Dimension				Teeth	Screw	Clamp	Screw	Wrench
		d	D	M	L					
RD103-D504-22 0	RD 1003	22	50	11	40	4	MS3509B	MC 35141	MS3509A	T15
RD103-D505-22 0		22	50	11	40	5				
RD103-D635-25 4		25.4	63	13	50	5				
RD103-D636-25 4		25.4	63	13	50	6				

Unit: mm

