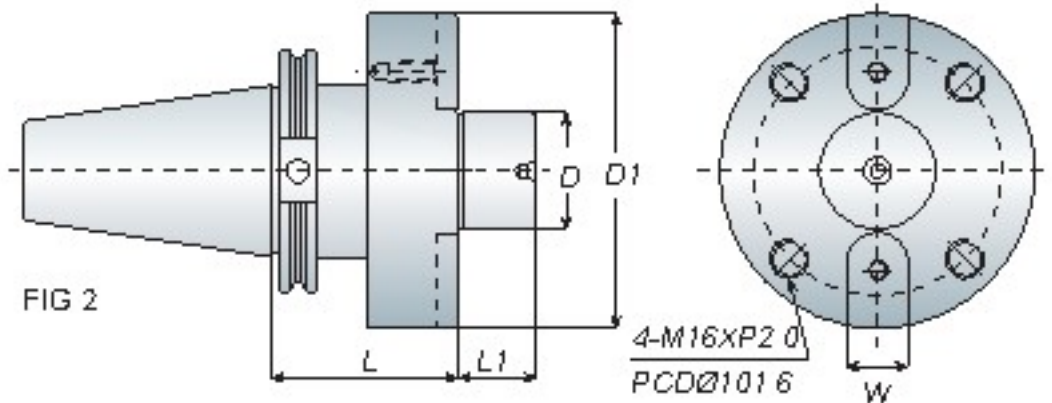
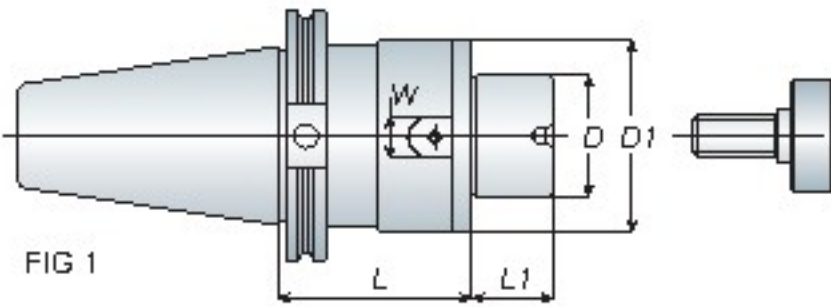


CAT
series

FMA

Face Mill Holder - Inch

平面銑刀桿



Features

- Face mill holder equips with screw and drive keys to assemble the face mill cutter to the holder.
- Face mill cutter must be ordered separately.
- 每支 FMA 面銑刀桿均附有螺絲及擋耳以裝配面銑刀盤使用
- 面銑刀盤為另購品



Model No.	FIG.	D		D1	L	L1	W		Weight (kg)
		mm	inch				mm	inch	
CAT40 FMA25 4-1 75"	1	25.4	1"	2.362"	1.75"	17.5	9.5	0.374"	1.60
FMA31 75-2 00"	1	31.75	1.25"	2.756"	2"	17.5	12.7	0.5"	1.70
FMA38 1-2 00"	1	38.1	1.5"	3.346"	2"	23.8	15.9	0.626"	2.60
CAT50 FMA25 4-1 75"	1	25.4	1"	2.362"	1.75"	17.5	9.5	0.374"	3.20
-4 00"	1	25.4	1"	2.362"	4"	17.5	9.5	0.374"	3.30
-6 00"	1	25.4	1"	2.362"	6"	17.5	9.5	0.374"	5.10
FMA31 75-1 75"	1	31.75	1.25"	2.756"	1.75"	17.5	12.7	0.5"	3.40
-4 00"	1	31.75	1.25"	2.756"	4"	17.5	12.7	0.5"	5.20
-6 00"	1	31.75	1.25"	2.756"	6"	17.5	12.7	0.5"	6.30
FMA38 1-2 00"	1	38.1	1.5"	3.346"	2"	23.8	15.9	0.626"	3.50
-4 00"	1	38.1	1.5"	3.346"	4"	23.8	15.9	0.626"	6.10
-6 00"	1	38.1	1.5"	3.346"	6"	23.8	15.9	0.626"	8.50
FMA50 8-2 00"	1	50.8	2"	3.74"	2"	24	19.05	0.75"	4.00
-4 00"	1	50.8	2"	3.74"	4"	24	19.05	0.75"	7.60
-6 00"	1	50.8	2"	3.74"	6"	24	19.05	0.75"	10.20
FMA47 625-3 00"	2	47.625	1.875"	5.26"	3"	32	25.4	1"	7.30

Unit: mm