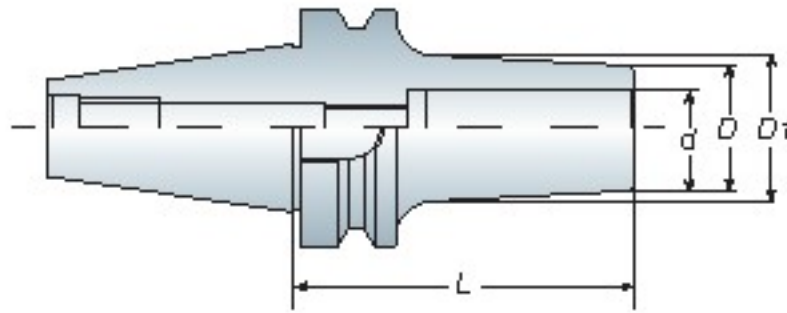


## Shrink Chuck

燒結式刀桿



# ASR

## BT / NT series



Model No.	d	D	D1	L	Weight (kg)
BT30 ASR04-075	4	14	19	75	0.55
ASR05-075	5	16	21	75	0.55
ASR06-075	6	16	21	75	0.55
ASR08-075	8	18	23	75	0.60
ASR10-075	10	22	27	75	0.60
ASR12-075	12	24	29	75	0.65
ASR16-075	16	28	33	75	0.70
BT40 ASR04-090	4	14	20	90	1.20
ASR05-090	5	16	22	90	1.20
ASR06-090	6	16	22	90	1.20
ASR08-090	8	18	24	90	1.20
ASR10-090	10	22	28	90	1.30
ASR12-090	12	24	30	90	1.30
ASR16-090	16	28	34	90	1.30
ASR20-100	20	34	41	100	1.50
ASR25-100	25	44	51	100	1.50
ASR32-100	32	44	51	100	1.55
BT50 ASR06-105	6	16	21	105	3.90
ASR08-105	8	18	25	105	4.00
ASR10-105	10	22	29	105	4.20
ASR12-105	12	24	31	105	4.40
ASR16-105	16	28	35	105	4.40
ASR20-105	20	34	41	105	4.70
ASR25-105	25	44	51	105	4.70
ASR32-105	32	44	51	105	5.00

Unit: mm

- Heater specification => refer to below
- Tools are restricted by material of h6 carbide tool.
- 刀桿加熱器規格請參考下方
- 刀具限用 h6 鎢鋼刀具

## Induction Shrink Machine

感應熱縮式燒結機

Model No.	GTS-306 LUXE
Electric current supply 電壓	3 phase 220VAC (50/60Hz)
Output current 電流	20A
Output power 消耗電力	4KW
Size 尺寸	232mm(W)×360mm(D)×610mm(H)
Weight 重量	13.50kgs

