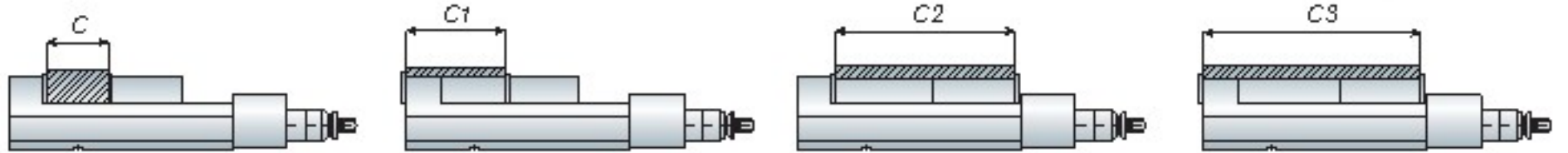
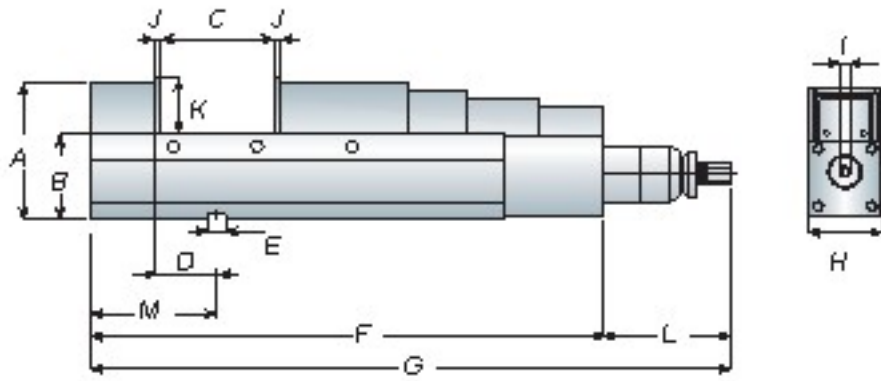


Multi-Power CNC Precision Fixed Angle Vise

多功能角固式精密倍力增壓虎鉗

HPAC

Accessories



Dimensions for 4 Jaw Plate Positions

Model No.	A	B	C	C1	C2	C3	D	E	F
HPAC-130	147	95±0.01	0~190	70~260	115~305	185~375	80±0.02	18	475
HPAC-160	160	105±0.01	0~240	85~325	140~375	220~460	80±0.02	18	560
HPAC-200	170	110±0.01	0~285	90~380	155~440	240~530	100±0.02	18	635

Unit: mm

- Extremely high accuracy
- Adjustable clamping force: 0 ~ 8000KGS

Model No.	Max. Clamping Force	G	H	I	J	K	L	M	Weight (kg)
HPAC-130	6000kg	583	131	19	15	55	120	150	55
HPAC-160	8000kg	670	161	19	15	58	120	165	75
HPAC-200	8000kg	743	201	19	18	63	120	197	102

Unit: mm

Artistic Drill Re-Sharpening Machine

鑽頭研磨機



Model No.	Grinding Range	Front End Angle	Power Supply	Motor Speed	Dimension	Weight (kg)
YD-313	∅2~13	90°~145°	AC-110V/220	5000RPM	37x30x20cm	10
YD-1226	∅12~26	90°~145°	AC-110V/220	3600RPM	43x30x25cm	22
YD-0832	∅8~32	90°~145°	AC-110V/220	3600RPM	45x30x25cm	26

Unit: mm

- Only three steps.
- Using a taper diamond wheel for grinding, no need for re-trim.
- Fast and accurate sharpening.
- 鑽頭一次夾持，可將鑽刃鋒、鑽腹、餘隙角（後斜角）中心靜點，精準地一次研磨完成
- 鑽頭研磨操作容易又安全，無危險性