

End Mill Holder

側固端銑刀桿

EM

CAT
series

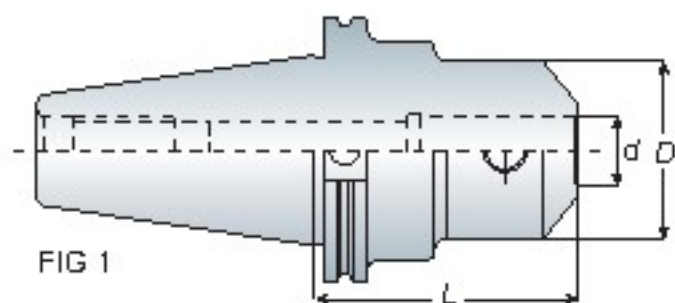


FIG 1

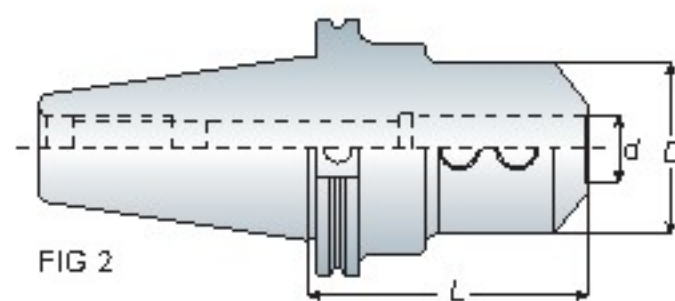


FIG 2



Features

- For straight shank end mill.
- End mill is held by one (FIG. 1) or two (FIG. 2) set screws.
- End mill holder comes equipped with set screws.
- 適用於夾持直柄銑刀，可用在一般銑削加工
- 夾持銑刀之固定螺絲分為一個 (FIG. 1) 或兩個 (FIG. 2)
- 刀桿本身已裝配固定螺絲

Model No.	FIG.	d	D	L	Weight (kg)
CAT40 EM 125-1.75*	1	0.125*	0.75*	1.75*	0.80
-2.50*	1	0.125*	0.75*	2.50*	0.90
-3.00*	1	0.125*	0.75*	3.00*	1.10
EM 1875-1.75*	1	0.1875*	0.75*	1.75*	0.95
-2.50*	1	0.1875*	0.75*	2.50*	1.00
-3.00*	1	0.1875*	0.75*	3.00*	1.20
EM 25-1.75*	1	0.25*	0.8125*	1.75*	0.95
-2.50*	1	0.25*	0.8125*	2.50*	1.20
-3.00*	1	0.25*	0.8125*	3.00*	1.30
EM 3125-1.75*	1	0.3125*	0.875*	1.75*	0.95
-2.50*	1	0.3125*	0.875*	2.50*	1.20
-3.00*	1	0.3125*	0.875*	3.00*	1.30
EM 375-1.75*	1	0.375*	1.00*	1.75*	1.00
-2.50*	1	0.375*	1.00*	2.50*	1.20
-3.00*	1	0.375*	1.00*	3.00*	1.30
EM 4375-1.75*	1	0.4375*	1.375*	1.75*	1.10
-2.62*	1	0.4375*	1.375*	2.62*	1.25
EM 5-1.75*	1	0.50*	1.375*	1.75*	1.15
-2.50*	1	0.50*	1.375*	2.50*	1.25
-3.00*	1	0.50*	1.375*	3.00*	1.30
EM 625-1.75*	1	0.625*	1.625*	1.75*	1.10
-3.00*	1	0.625*	1.625*	3.00*	1.35
EM 75-2.50*	1	0.75*	1.75*	2.50*	1.30
-3.00*	1	0.75*	1.75*	3.00*	1.40
EM 875-1.75*	1	0.875*	2.00*	1.75*	1.20
-3.50*	2	0.875*	2.00*	3.50*	1.80
EM 1-2.50*	1	1*	2.375*	2.50*	1.40
-3.00*	2	1*	2.375*	3.00*	1.50
EM1 25-3.00*	2	1.25*	2.50*	3.00*	1.60
-3.75*	2	1.25*	2.50*	3.75*	1.70
-4.00*	2	1.25*	2.50*	4.00*	2.00
EM1 5-4.00*	2	1.5*	3.00*	4.00*	2.10
-4.62*	2	1.5*	3.00*	4.62*	2.30

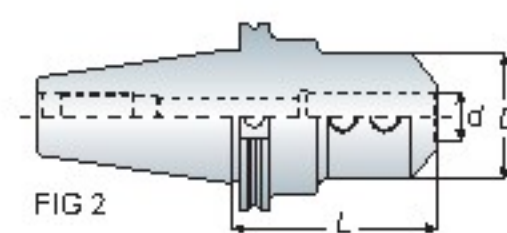
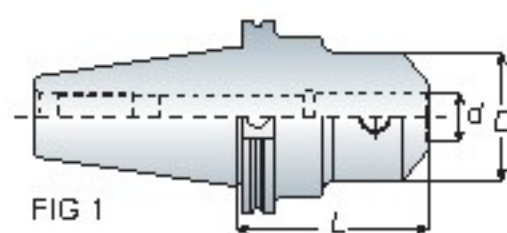
Unit: mm

CAT
series

EM

End Mill Holder

側固端銑刀桿



- For straight shank end mill.
- End mill is held by one (FIG. 1) or two (FIG. 2) set screws.
- End mill holder comes equipped with set screws.
- 適用於夾持直柄銑刀，可用在一般銑削加工
- 夾持銑刀之固定螺絲分為一個 (FIG. 1) 或兩個 (FIG. 2)
- 刀桿本身已裝配固定螺絲

Model No.	FIG.	d	D	L	Weight (kg)
CAT50 EM 25-2 50°	1	0.25°	0.8125°	2.50°	3.40
-4 00°	1	0.25°	0.8125°	4.00°	3.80
EM 375-2 50°	1	0.375°	1.00°	2.50°	3.40
-4 00°	1	0.375°	1.00°	4.00°	3.80
EM 4375-2 50°	1	0.4375°	1.375°	2.50°	3.50
-4 00°	1	0.4375°	1.375°	4.00°	3.90
EM 5-2 625°	1	0.50°	1.375°	2.625°	3.60
-4 00°	1	0.50°	1.375°	4.00°	4.00
EM 625-3 00°	1	0.625°	1.625°	3.00°	3.70
-4 00°	1	0.625°	1.625°	4.00°	4.00
EM 75-3 00°	1	0.75°	1.875°	3.00°	3.70
-4 00°	1	0.75°	1.875°	4.00°	4.00
EM 875-3 75°	2	0.875°	2.00°	3.75°	3.90
EM1-4 00°	2	1.00°	2.375°	4.00°	4.20
EM1 25-4 00°	2	1.25°	2.50°	4.00°	4.60
EM1 5-4 50°	2	1.50°	3.00°	4.50°	5.40
EM2-5 375°	2	2.00°	3.75°	5.375°	6.40

Model No.	FIG.	d	D	L	Weight (kg)
CAT40 EM06-050	1	6	25	50	1.00
EM08-050	1	8	28	50	1.00
EM10-050	1	10	35	50	1.10
EM12-050	1	12	42	50	1.20
EM16-063	1	16	48	63	1.40
EM20-063	1	20	52	63	1.40
EM25-100	2	25	65	100	2.00
EM32-100	2	32	72	100	2.30
CAT50 EM06-063	1	6	25	63	2.90
EM08-063	1	8	28	63	3.00
EM10-063	1	10	35	63	3.10
EM12-063	1	12	42	63	3.30
EM16-063	1	16	48	63	3.30
EM20-063	1	20	52	63	3.40
EM25-080	2	25	65	80	3.90
EM32-100	2	32	72	100	4.70
EM40-120	2	40	90	120	5.50
EM50-130	2	50	100	130	6.30

Unit: mm