



Dustproof Halogen Lamp Beam



WATER PROOF UNIVERSAL TYPE



VHL-300 SERIES

- LIGHT IP67
- ARM IP20

SPECIFY:
 110V / 55W
 220V / 55W
 380V / 55W
 24V / 70W

※ PLEASE CONFIRM
 VOLTAGE & PHASE WHEN ORDER



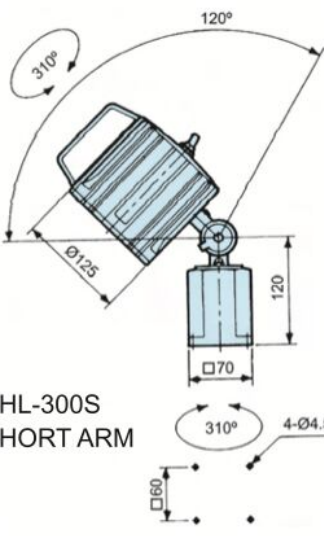
VHL-300S



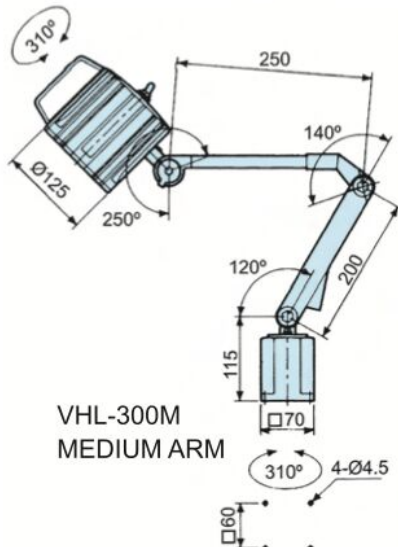
VHL-300M



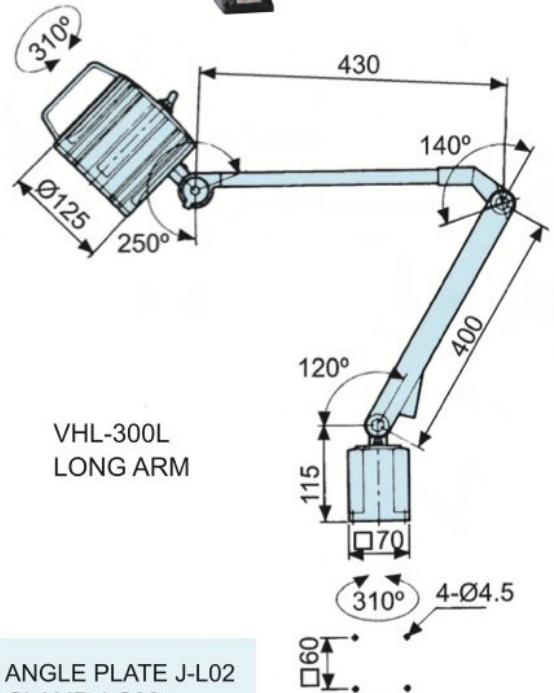
VHL-300L



VHL-300S
SHORT ARM



VHL-300M
MEDIUM ARM

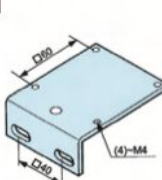


VHL-300L
LONG ARM

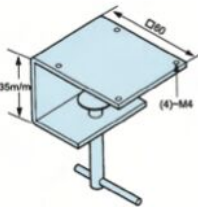
● OPTIONAL ●



J-L02



J-L02



J-C02

- MOUNTING ANGLE PLATE J-L02
- MOUNTING CLAMP J-C02

Totally enclosed lighting head provides well prevention for explosion, dust, coolant, and lubricants.

Uses efficient quartz halogen bulb, great light output, soft illuminating without irritating to the eyes.

Features

- Coil transformer built in base for directly connect to voltage of Ac power. (110V, 220V, 380V, 24V...)
- Specify voltage as desired when ordering.
- It accepts bulb 55W
- Furnished with 1.8 meter cord with plug.
- Fitted with coil transformer resisting unstable voltage.
- Long service life.
- with water proof articulated arm.
- ※ Please confirm voltage & phase when order.

Unit:mm

ORDER NO.	ARM LENGTH L x l	WEIGHT (kg)	CODE NO.
VHL-300L	430x400	2.4	1025-001
VHL-300M	250x200	2.1	1025-002
VHL-300S	1 JOINT	2.3	1025-003
J-L02		0.3	1025-004
J-C02		0.5	1025-005



Dustproof Halogen Lamp Beam



WATER PROOF UNIVERSAL TYPE



- LIGHT IP67
- ARM IP65

LAMP BEAM



VHL-300LR



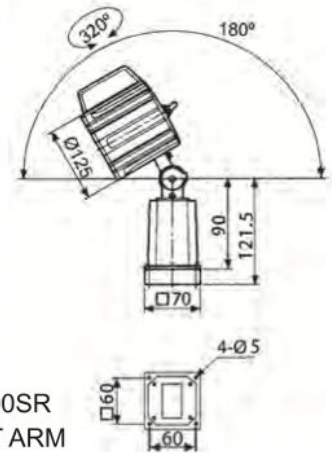
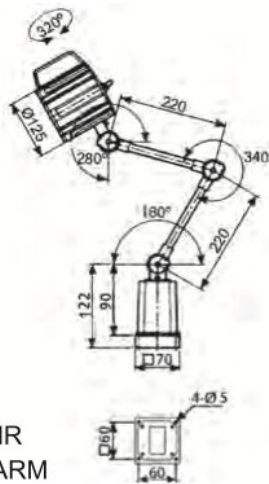
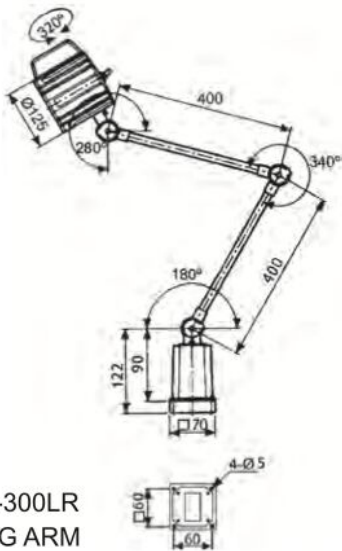
VHL-300MR



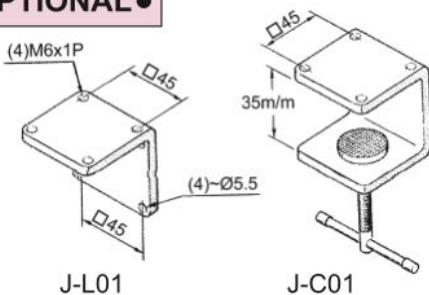
VHL-300SR



VHL-300 1/2MR



OPTIONAL



- MOUNTING ANGLE PLATE J-L01
- MOUNTING CLAMP J-C01

Totally enclosed lighting head provides well prevention for explosion, dust, coolant, and lubricants.

Uses efficient quartz halogen bulb, great light output, soft illuminating without irritating to the eyes.

※Please confirm voltage & phase when order.

Features

- Coil transformer built in base for directly connect to voltage of Ac power. (110V, 220V, 380V.....)
- Specify voltage as desired when ordering.
- It accepts bulb 50W, 55W, 70W.
- Furnished with 1.8 meter cord with plug.
- Fitted with coil transformer resisting unstable voltage.
- Long service life.
- With Water proof articulated arm.
- Round tube arm provides great lighting angles.
- IP65

Unit:mm

ORDER NO.	ARM LENGTH L x l	WEIGHT (kg)	CODE NO.
VHL-300LR	400x400 (With Water proof)	4.4	1025-010
VHL-300MR	200x200 (With Water proof)	3.6	1025-011
VHL-300SR	1 JOINT (With Water proof)	2.9	1025-012
VHL-300 1/2MR	200 (With Water proof)	3.4	1025-013
J-L01		0.6	1025-014
J-C01		0.4	1025-015