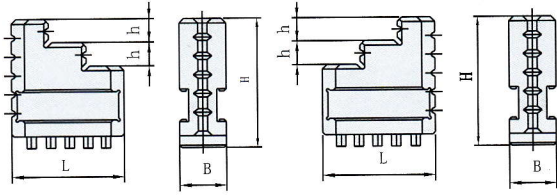


# 卡爪结构参数 Jaw Structure Dimensions

## 一、整体爪：包括正爪、反爪各一副

Solid jaws: the chucks with solid jaws is provided with each set of internal and external jaws

单位/UNIT: mm

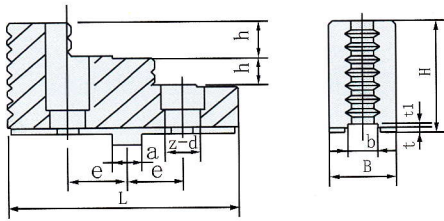


Size	80	100	125	130	160	165	190	200	240	250	315	320	325	380
L	32	42	56	56	70	70	72	85	105	105	130			
B	12	15	16	16	18.5	18.5	22	22	27	27	36			
H	33	38	45	45	54	54	57	61	69	69	91			
h	6.5	7	9	9	12	12	12	12	12	12	18			

单位/UNIT: mm

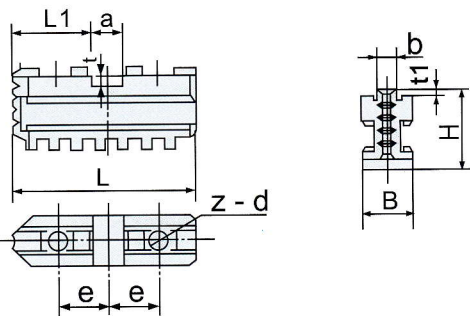
## 二、分离爪A型：包括滑座和卡爪两不风两部分

Two-Piece Jaws for FormA: The jaws are composed of master jaws and top jaws.



Size	160	200	250	315	325	380	400	500	630
L	67	80	95	118	118	130	130	132	132
B	25	30	36	42	42	45	45	45	54
H	41	45	53	61	61	70	70	82	82
h	9	10.5	13.5	17.5	17.5	17	17	22	22
a	12.675		19.025						
b	7.94	7.94	12.7	12.7	12.7	12.7	12.7	12.7	12.7
e	19	22.2	27	31.75	31.75	38.1	38.1	38.1	38.1
t	3	3	3	3	3	6	6	6	6
t1	4	4	4	4	4	4	4	4	4
z-d	2-11	2-11	2-13	2-13	2-13	2-18	2-18	2-22	2-22

单位/UNIT: mm



Size	160	200	250	315	325	380	400	500	630
L	64	80	98	118	118	114	114	152	210
L1	29	34.9	39.7	47.6	47.6	47.5	47.5	47.4	59
B	20	22	27	36	36	36	36	45	50
H	33	35	38	43	43	46	46	55	60
a	12.675		19.025						
b	7.94	7.94	12.7	12.7	12.7	12.7	12.7	12.7	12.7
e	19	22.2	27	31.75	31.75	38.1	38.1	38.1	38.1
t	4	4.2	4.2	4.2	4.2	7	7	7	7
t1	3	3	3	3	3	3	3	3	3
z-d	2-m10	2-M10	2-M12	3-M12	3-M12	3-M16	3-M16	4-M20	5-M20

## 三、分离爪C型：包括滑座和卡爪两部分

Two-Piece Jaws for FormC: The jaws are composed of master jaws and top jaws.

单位/UNIT: mm

Size	L	B	H	H	a	b	e	t	T <sub>1</sub>	z-d
200	88	22	44	12	13	11	28	7	3	2-9
240	108	27	46	12	13	13	35	7	3	2-11
250	108	27	46	12	13	13	35	7	3	2-11

单位/UNIT: mm

Size	L	L <sub>1</sub>	B	H	a	b	e	t	t <sub>1</sub>	z-d
200	76	31.5	22	36	13	11	28	6	2	2-M8
240	95	41	27	39	13	13	35	6	2	2-M10
250	95	41	27	39	13	13	35	6	2	2-M10

单位/UNIT: mm

Size	L	B	H	H	a	b	e	t	T <sub>1</sub>	z-d
320	127	36	59.5	17	28	15	44	7.5	2.8	2-13
325	127	36	59.5	17	28	15	44	7.5	2.8	2-13
380	127	36	59.5	17	28	15	44	7.5	2.8	2-13

单位/UNIT: mm

Size	L	L <sub>1</sub>	B	H	a	b	e	t	t <sub>1</sub>	z-d
320	114	43	36	40	28	15	44	8.5	3.5	2-M12
325	114	43	36	40	28	15	44	8.5	3.5	2-M12
380	114	43	36	40	28	15	44	8.5	3.5	2-M12

