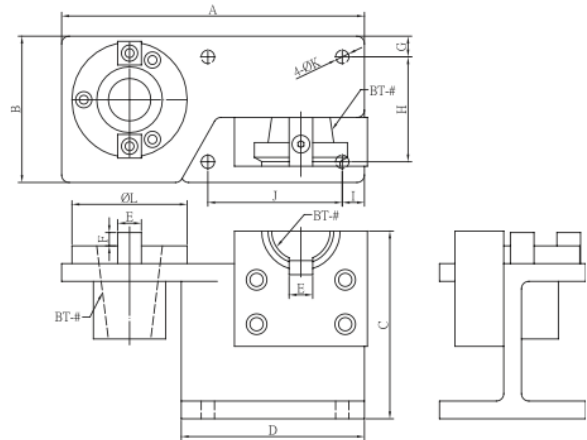




# Tool Holder Locking Device



ORDER NO.	A	B	C	D	E	F	G	H	I	J	K	L	CODE NO.
VTG-BT30	205	99	127	124	15	10	16	71	15	91	9	78	3405-020
VTG-BT40	205	99	127	124	16	9	14	71	15	91	9	78	3405-021
VTG-BT50	282	152	203	162	25	16	22	108	25	115	9	115	3405-022

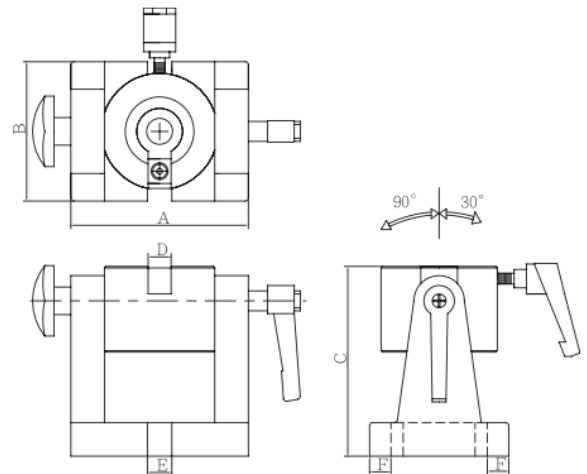
ORDER NO.	STD	WEIGHT (KGS)	CODE NO.
VTG-BT30	ISO BT	4.1	3405-020
VTG-BT40		4.2	3405-021
VTG-BT50		11.8	3405-022
VTG-SK40	CAT SK DIN69871A	4	3405-024
VTG-SK50		12.3	3405-025

TOOL HOLDER LOCKING



# Tool Holder Locking Device

TILTING TYPE



Example Shank Not Included

ORDER NO.	STD	WEIGHT (KGS)	CODE NO.
VTL-BT30	ISO BT	4.2	3405-030
VTL-BT40		4.3	3405-031
VTL-BT50		9.8	3405-032
VTL-SK30	DIN69871A	4	3405-033
VTL-SK40		4	3405-034
VTL-SK50		8	3405-035
VTL-NT30	NT	4.2	3405-036
VTL-NT40		4.3	3405-037
VTL-NT50		9.8	3405-038

ORDER NO.	A	B	C	D	E	F	CODE NO.
VTL-BT30	116	91	126	16	15	14	3405-030
VTL-BT40	117	91	136	16	15	14	3405-031
VTL-BT50	149	121	189	25	15	15	3405-032