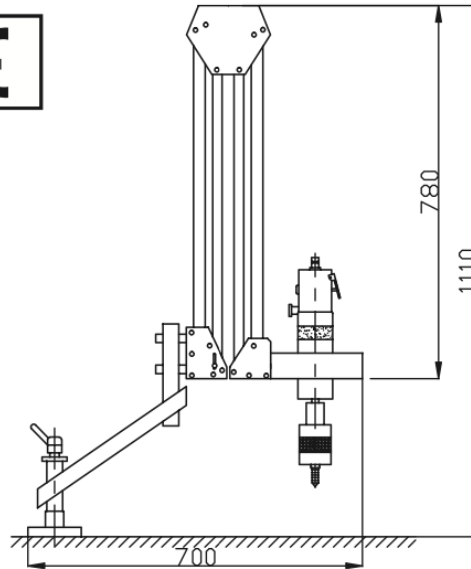


Air Tapping Unit



STANDARD ACCESSORIES:

- Air tapping spindle
- Parallel arm & Air combination
- Table mounting column
- Choose any six safety clutch tapping adapters
- Radial jib, increases arm reach by 500 mm
- Air pressure: 6~8 kgs / cm²
- VAT-08/12 series require: 5HP compressor
- VAT-16/20 series require: 10HP compressor

ORDER NO.	VAT-1908	VAT-1912	VAT-1916	VAT-1920	VAT-1922	VAT-1924
For Tap	M3~M8	M5~M12	M8~M16	M10~M20	M12~M22	M14~M24
	TC-312	TC-312	TC-820	TC-820	TC-820	TC-820
Speed (rpm)	700	400	250	180/200	185/205	90/100
Weight (kgs)	19.7	23.9	23.5	26	28	28
Work Range	Rmax 1900mm					
	Rmin 200mm					
CODE NO.	3404-425	3404-426	3404-427	3404-430	3404-431	3404-431A

※VAT-1924 can be replaced by VAT-1624

※GUARANTEED FOR 3 MONTHS.