



# MC Hyper Super Open Vise



HYDRAULIC TYPE

SAME HIGH GUARANTEE

**NEW**

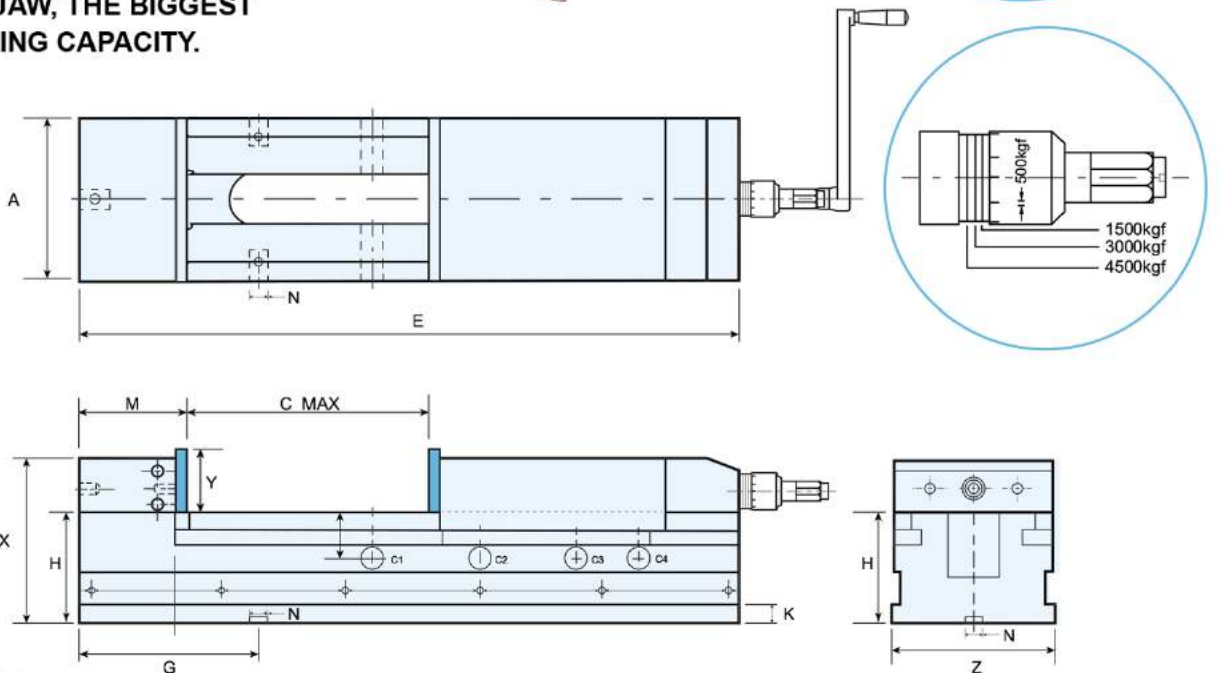
VMCH - 4 JAW OPENED 200 mm

VMCH - 5 JAW OPENED 265 mm

VMCH - 6 JAW OPENED 350 mm



**COMPARE WITH SAME WIDTH VISE JAW, THE BIGGEST OPENING CAPACITY.**



## Features

- Hydro-booster system for maximum clamping pressure with minimum force.
- Sliding bed ways flame hardened and ground.
- Compact design. Great clamping capacity. Light & smooth operation.
- Body is made of FCD60 ductile cast iron, High deflection/bending resistant.
- Constructed for machining center, milling, drilling, grinding and many other machine shop applications.
- Hydro line - one scale indicate about 500 kgf of the clamp force.



## Specifications

ORDER NO.	A	C MAX	Opening Size For Capacity				E	G	H	K	M	N	X	Y	Z	MAX. Clamp Force (kgf)	N.W. (kgs)	CFT (cm)	CODE NO.
			C1	C2	C3	C4													
VMCH-4	110	200	0-58	58-115	115-170	150-200	435	132	85	15	88	16	118	36	112	2500	26		1002-225
VMCH-5	134	265	0-70	70-145	145-215	200-265	550	160	95	21	98	18	140	48	136	4500	45.5		1002-226
VMCH-6	154	350	0-100	100-200	200-300	300-350	618	165	105	21	103	18	156	54	155	4500	63.5		1002-227