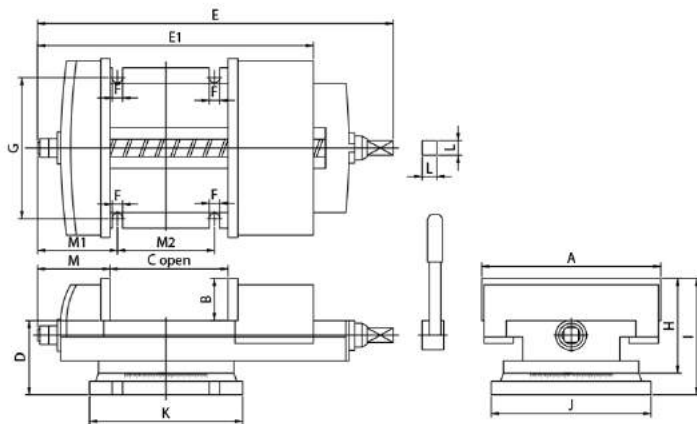




Machine Vise For Shaping & Milling Use

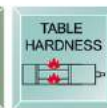


VERTEX®



The vise is made of the high tension cast iron, rigidity, large range of clamping spans and more bigger clamping force at press down jaws, especially suitable for the heavy duty cutting and the heavy duty planner milling machine to clamp large workpiece.

Unit:mm



ORDER NO.	A	B	C OPEN	D	E	E1	F	G	H	I	J	K	L	M	M1	M2	Max. Clamp Force (kgf)	G.W. (kgs)	CUFT (cm)	CODE NO.
VSM-12	304	72	290	126	604	560	18	240	161	198	272	260	25	123	135	165	800	84	67x35x23	1002-270
VSM-16	405	96	415	145	763	738	20	292	200	241	336	336	25	135	143	248	1000	142	84x45x27	1002-271
VSM-20	508	95	505	150	902	871	21	288	204	245	336	336	25	169	211	246	1200	200	97x56x28	1002-272