



Multi-Lock Milling Chuck

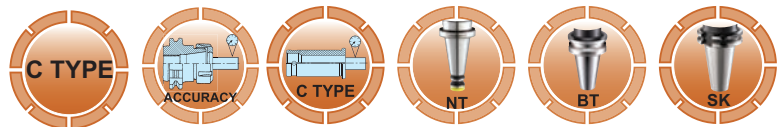
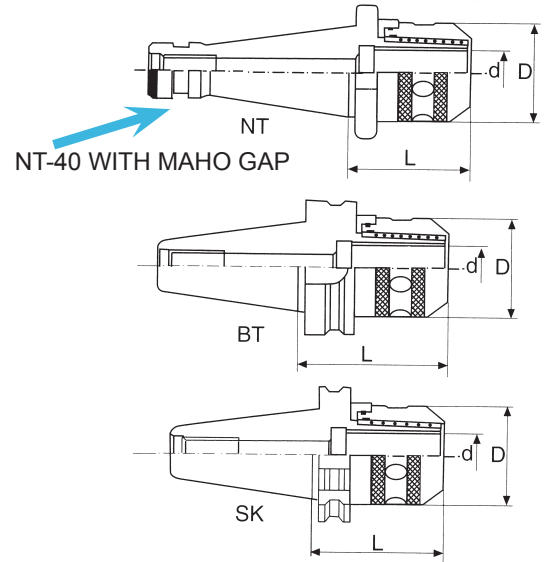


COLLET HOLDER WITH ISO, BT & SK TAPER SHANK
STRAIGHT COLLET TYPE

C-32 C-42

DIN 2080, MAS 403 DIN 69871A

C-20,25,32,42 TYPE



ORDER NO.	TAPER	CHUCK	d	D	L	DRAW BAR	KGS	CODE NO.
VB-431	NT40	NT40-MC32-95L	32	75	95	5/8"-11	3	3202-001
VB-432		NT40-MC32-95L	32	75	95	M16x2.0P	3.1	3202-002
VB-433	NT50	NT50-MC32-100L	32	75	100	1"-8	4.8	3202-003
VB-434		NT50-MC32-100L	32	75	100	M24x3.0P	5.1	3202-004
VB-435A	BT40	BT40-MC32-105L	32	75	105	M16x2.0P	3.2	3202-005
VB-435B		BT40-MC32-150L	32	75	150	M16x2.0P	3.5	3202-020
VB-436	BT50	BT50-MC32-110L	32	75	110	M24x3.0P	5.2	3202-006
VB-437		BT50-MC32-150L	32	75	135	M24x3.0P	7	3202-007
VB-438	NT50	NT50-MC42-110L	42	87	110	1"-8	6	3202-008
VB-439		NT50-MC42-110L	42	87	110	M24x3.0P	6.1	3202-009
VB-440	BT50	BT50-MC42-115L	42	87	115	M24x3.0P	6.1	3202-010
VB-441		BT50-MC42-150L	42	87	140	M24x3.0P	7.8	3202-011
VB-442	SK40	SK40-MC32-100L	32	75	100	M16x2.0P	3.1	3202-012
VB-443	SK50	SK50-MC32-105L	32	75	105	M24x3.0P	5.3	3202-013
VB-444A	BT30	BT30-MC20-95	20	52	95	M12x1.75P	1.3	3202-014
VB-446A	BT40	BT40-MC20-80	20	52	80	M16x2.0P	3	3202-016
VB-446B		BT40-MC20-120	20	52	120	M16x2.0P	2.7	3202-017
VB-447A		BT40-MC25-90	25	58	90	M16x2.0P	4.5	3202-018
VB-447B		BT40-MC25-135	25	58	135	M16x2.0P	3.2	3202-019
VB-448A		NT30	NT30-MC20-80	20	52	80	1. M12X1.75P 2. 1/2"-12	1.5
VB-448B	NT30-MC25-85		25	58	85	1. M12X1.75P 2. 1/2"-12	1.5	3202-031
VB-451A	SK40	SK40-MC20-80	20	52	80	M16X2.0P	2	3202-035
VB-451B		SK40-MC25-90	25	58	90	M16X2.0P	2	3202-036
VB-452	SK50	SK50-MC42-110	42	87	110	M24X3.0P	5.7	3202-037



Multi-Lock Milling Chuck



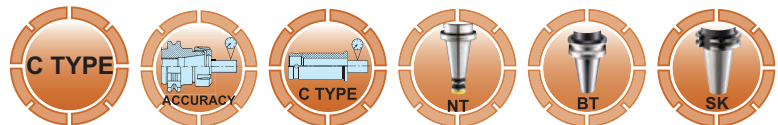
MULTI-LOCK MILLING CHUCK KIT

Including shank, full set of collets,
wrench and case.

DIN 2080 NT-SHANK

MAS 403 BT-SHANK

DIN 69871A SK-SHANK



ORDER NO.	TAPER	CHUCK	COLLET	DRAW BAR	KGS	CODE NO.
VB-444I	NT40	NT40-MC32-95L	7PCS	5/8"-11	7	3202-101
VB-444		NT40-MC32-95L	7PCS	M16x2.0P	7	3202-102
VB-454I	NT50	NT50-MC32-100L	7PCS	1"-8	9	3202-103
VB-454		NT50-MC32-100L	7PCS	M24x3.0P	9	3202-104
VB-344A	BT40	BT40-MC32-105L	7PCS	M16x2.0P	7	3202-105
VB-344B		BT40-MC32-150L	7PCS	M16x2.0P	11.5	3202-118
VB-354A	BT50	BT50-MC32-110L	7PCS	M24x3.0P	9.5	3202-106
VB-354B		BT50-MC32-150L	7PCS	M24x3.0P	13	3202-119
VB-554	NT50	NT50-MC42-110L	8PCS	M24x3.0P	12	3202-107
VB-554I		NT50-MC42-110L	8PCS	1"-8	12	3202-108
VB-564A	BT50	BT50-MC42-115L	8PCS	M24x3.0P	12	3202-109
VB-564B		BT50-MC42-150L	8PCS	M24x3.0P	14	3202-109B
VB-565	SK-40	SK40-MC32-100L	7PCS	M16x2.0P	7	3202-110
VB-566	SK-50	SK50-MC32-105L	7PCS	M24x3.0P	9.5	3202-111
VB-567	BT-30	BT30-MC20-95	6PCS	M12x1.75P	6	3202-112
VB-569A	BT-40	BT40-MC20-80	6PCS	M16x2.0P	7	3202-114
VB-569B		BT40-MC20-120	6PCS	M16x2.0P	8	3202-115
VB-570A		BT40-MC25-90	7PCS	M16x2.0P	9.5	3202-116
VB-570B		BT40-MC25-135	7PCS	M16x2.0P	10.5	3202-117
VB-571	NT30	NT30-MC20-80L	6PCS	1. M12X1.75P 2. 1/2"-12	4	3202-120
VB-572		NT30-MC25-85L	7PCS	1. M12X1.75P 2. 1/2"-12	4	3202-121
VB-574	NT40	NT40-MC25-85L	7PCS	1. M16X2.0P 2. 5/8"-11	4.5	3202-123
VB-576	SK40	SK40-MC20-80L	6PCS	M16X2.0P	4.5	3202-125
VB-577		SK40-MC25-90L	7PCS	M16X2.0P	4.8	3202-126
VB-578	SK50	SK50-MC42-110L	8PCS	M24X3.0P	12	3202-127