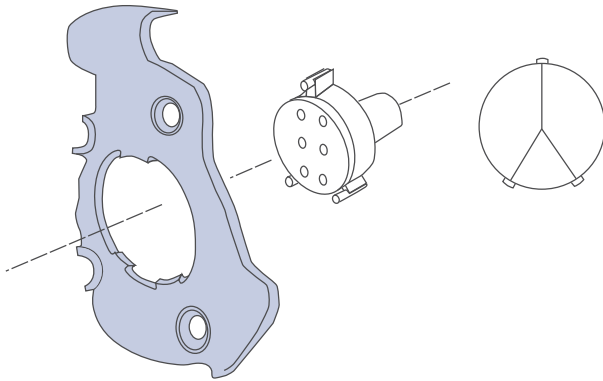


## Special Bore Measurement - Miscellaneous

### Irregular Spacing

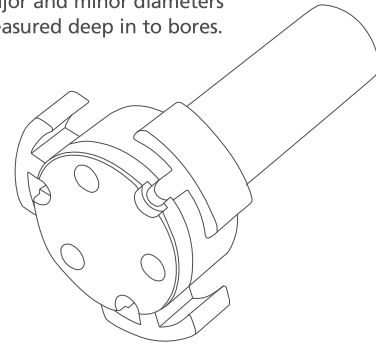
Available between 16-300mm diameter to measure between odd spaced lobes.



### Gun Barrel Head

Measurement of smooth bore and rifled bore gun barrels.

Major and minor diameters measured deep in to bores.

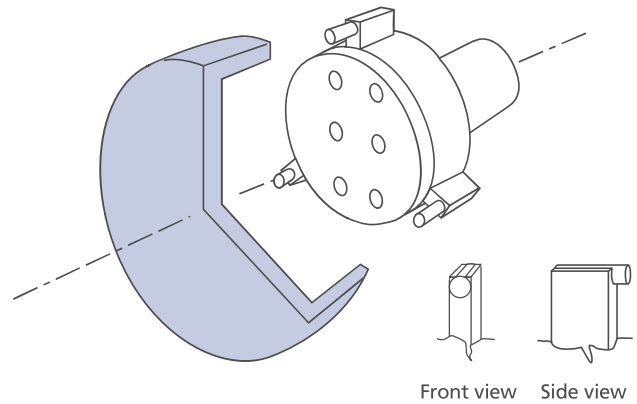


### Right Angled Adaptor



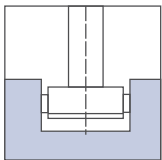
### Blind Bore

Standard between 2-6mm and 12.5-300mm.  
Between 6-12.5mm on request.



### Slot Width (Large)

Slot widths from 6-100mm.



### Slot Width (Small)

Slot widths from 2-6mm.

