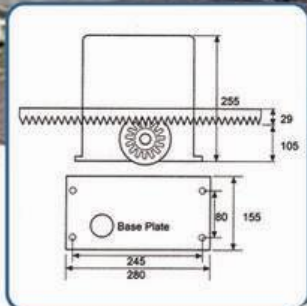
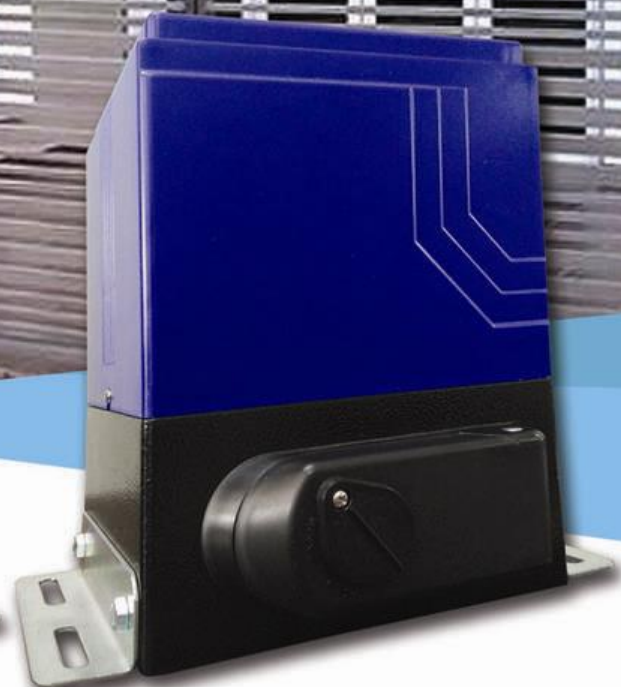
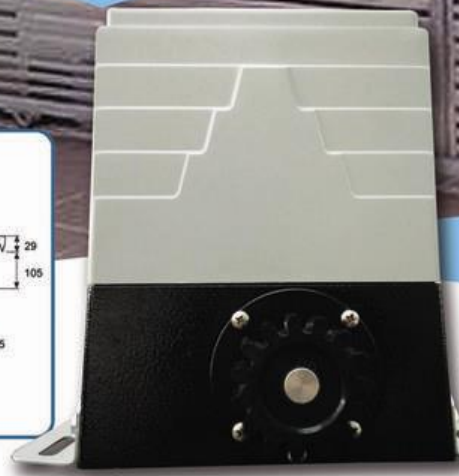


# AUTOMATIC SLIDING GATE



THE IDEAL CHOICE



## Accessories



Panel Box (ABS)    Gear Rack    Control Panel  
 Backup Battery    Transformer    Remote Controls Rc106

## Optional



Keypad    Metal Gear    Keyswitch    Safety Beam    Strobe Light

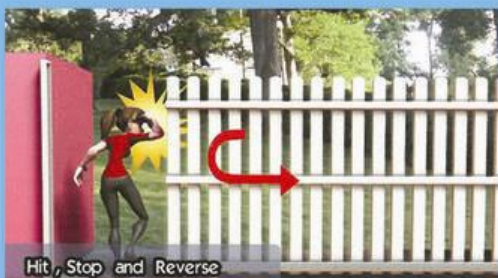
## Convenience and safety in a Single Touch

The Key holder type remote control unit is designed to be user friendly for easy one-touch operation and is available in different sizes, frequencies and performance depending on your requirements.

The command code transfer from transmitter to receiver is programmable with the RADIO-CODE AUTO-LEARNING features.

The automatic sliding gate is designed to operate with normal power supply and / or UPS unit incorporated into the system.

The ANTI-CRUSHING electronic system automatically inverts or halts the gate movements if the presence of small objects are detected in its tracks.



Hit, Stop and Reverse

### HIT, STOP AND REVERSE

The gate will stop and reverse if it hits obstacle.

### Items

- Power Supply
- Motor Power Supply
- Motor Speed
- Ambient Operating Temperature
- Accessory Power Supply
- Power Consumption
- Maximum Sliding Gate Weight
- Sliding Gate Speed
- Safety Clutch
- Ingress Protection Class
- Remote Controller
- Manual Option

### Sliding Gate Specification

- AC 220-240 V 50HZ, Single phase
- 24 VDC
- 2800 Rpm max
- 20°C to 120°C
- 12VDC / 24VDC
- 80 watts
- 500kg
- 12 meter/min
- auto-reverse electronic counter technology
- IP55
- 2-channels, 330 Mhz UHF
- special release key during power failure