

C
10.5"
267



Hannay Reels®
The reel leader.

Aviation Reels

| Refueling | Airport Hydrant Fueling Operations | Sensing | Static Grounding |



**You Can't Buy
A Better Reel.**

Family owned and operated since 1933

CONTENTS

Hannay hose reels come in all sizes and capacities.

Reel Type	I.D. Hose Sizes	Page
Hannay Reels Policies – Note to Designers and Engineers, Paint Notice		2
Hannay Reels Spec Worksheet		3
Manual or Power Rewind Reels		
Series V-6000	1"	4-5
Series V-1-1/2"	1-1/4" or 1-1/2"	6-7
Series V-2"	1-1/2" or 2"	8
Series V-3"	2-1/2" or 3"	9
Series V-4"	4"	10-11
Series V-5000 Single Wrap	1-1/2" – 3"	12-13
Spring Rewind Reels		
Series N600 Dual Hose	1/4" – 3/8"	14
Series V-N800	1"	15
Series V-800	1"	16
Series V-900	1-1/4" or 1-1/2"	17
Static Grounding Reels		
Series GR/HGR		18-19



Mounting Hole Sizes

N Series Reels	7/16" wide x 7/8" long slot running front to back
Pressed Frame Reels and Channel Framed Reels	7/16" wide x 7/8" long slot running left to right
Series 5000	5/8" round holes
Static Grounding Reels	13/32" round holes

Note to Designers and Engineers

The reels shown in this catalog are the standard of the industry. These models reflect various installation and performance requirements.

The high quality of our **standard steel construction** is only the beginning.

Hannay Reels offers any size configuration to fit a defined space, and we construct many models of reels of **aluminum** or **stainless steel**. Specifically, we use 5000 and 6000 Series aluminum and 304 stainless steel in the manufacture of frames, discs, drums, and internals as well as other structural components. This type of construction eliminates the need for maintenance repainting and part replacement due to rust or corrosion.

Please consult factory on any fuel handling questions.

For the many accessories and components available on our standard reel models such as roller guides, switches, brakes and locks, etc., please refer to our Ordering & Accessory Guide H-0415-OA.

Notice on Reel Finish

Standard finish on Hannay reels is a high performance modified acrylic enamel paint. Standard color is metallic graphite. Other colors available at no additional cost include red, white, black, and primer.

Most of the major components on standard reels are e-coated prior to receiving final topcoat paint finish. This combination of e-coat and enamel topcoat will meet the finish requirements of most customer applications and environments.

In cases where requirements cannot be met with the standard finish, Hannay Reels can coat any model reel with an automotive primer, allowing application of final coating at your facility. Alternatively, Hannay Reels can provide a quote for matching a customer-provided paint specification. For further information, please contact your Hannay Reels sales engineer and a special paint request form will be sent to you.

For environments where no paint finish is suitable, we offer both aluminum and stainless steel (304 grade) construction on most reel models.

Hannay Reels **Spec Worksheet**

To specify Hannay reels, fill out this simple form and mail, fax or email it to your dealer.
Photocopy this page or download and print from hannay.com

1. Who is the reel for?

Contact		Date / /	
Company		Position	
Street Address			
City	State	Zip	Country
Phone ()	Fax ()	Email	

2. What is the reel for?

HOSE (check one): Storage only Live Single hose Live Dual hose

Inside diameter:	Hose length:	Bend radius:	Flat hose dimensions:
Outside diameter:	Hose weight:	Coupling spacing:	

Type of product handled live application: (check one):

<input type="radio"/> Liquid (specify):	<input type="radio"/> Temperature:	<input type="radio"/> Oxygen/Acetylene:	<input type="radio"/> Other (specify):
<input type="radio"/> Gases (specify):	<input type="radio"/> Pressure:	<input type="radio"/> Hydraulic fluid (specify):	

Fluid path type: (check one): Steel (standard) Aluminum Stainless Steel Other

Reel inlet type: (check one): Swivel joint 90° (standard) Straight

Reel outlet type (riser): Size:

Thread (check one):	<input type="radio"/> National Pipe Thread (NPT)	<input type="radio"/> Joint Industry Committee (JIC)	<input type="radio"/> Other
	<input type="radio"/> National Standard Thread (NST)	<input type="radio"/> British Standard Pipe (BSP)	

CABLE (check one): Live* Storage only

*Number of conductors, or wire gauge, required:		
*Number of connectors:	Cable weight:	Cable length:
*Voltage:	Outside diameter:	
*Amperage (live application only):	Bend radius:	

3. What features does the reel need? Check type of rewind:

MANUAL REWIND

Disc rewind (hand over hand) Gear-driven crank Direct crank (permanent or removable) Chain-driven crank

POWER REWIND

Spring Air Electric (voltage): Hydraulic

Type of installation (check one): Floor Wall Overhead Vehicle

Temperature Range: Environment:

Accessories (if any): Hose/Cable Stop: Yes No

Roller Assemblies:

Finish: Painted steel (standard) Aluminum Polished Unpolished Stainless steel Polished Unpolished

Check type of installation and roller position for spring reels:

Drag Position SR Lift Position VR Stretch (no roller) Position TR Wall Mount Position TR Recovery (pick-up) (no roller)

Constant tension available on all roller positions

Indicate your custom specifications

4. Specifying Location of Components

Optional Location of Components:

Location of the inlet, outlet riser, and rewind mechanism can be varied to meet your requirements and must be specified on your order. Unless otherwise specified, most reels will be shipped as **Right Top Rewind** with the inlet, outlet riser, and rewind mechanism on the operator's right.



RT - Right Top Rewind
Standard - Always look at your reel from this position to determine right hand or left hand.



RB - Right Bottom Rewind



LT - Left Top Rewind



LB - Left Bottom Rewind

Note: Use component location initials as suffix after model number (ie: V-EPJ28-25-26 LT)

5. Please note size and/or weight limitations for your installation

SPECIFICATIONS

Depth: _____

Height: _____

Width: _____

Weight: _____

For custom applications not found in our catalogs, call the Inside Sales Group at 518-797-3791.

Series V-6000

To handle single 1" I.D. hose.

- Rugged, industrial-duty construction.
- Choose gear-driven crank rewind or chain and sprocket drive powered by an electric, hydraulic or compressed air motor.
- Crank rewind reels supplied with pinion brake; power rewind reels with a strap brake.
- Standard inlet: 90° #304 stainless steel ball bearing swivel joints, 1" female NPT threads.
- Standard outlet: 1" female NPT threads.
- Standard inlet, outlet riser, and hub assembly are stainless steel. Optional aluminum swivel joint is available.
- One-piece welded hub assembly.
- Optional rollers are available.
- Standard pressures to 1000 psi (69 bar).
- Temperatures from -40°F to +250°F (-40°C to +121°C).
- Chain guard available upon request, must be specified.



Electric rewind
Standard
configuration with
V-EPJ option shown



Optional Assembly
C2 roller top wind
and auxiliary rewind
shown



Optional Auxiliary Rewind

Ring and pinion shaft rewind unit with removable crank handle.

Series V-6000

PARTS DRAWING – ISO 84

Model Number For power rewind see Note 5	Hose Capacity of Reel feet m		Approx. Weight Crank Rewind lb. kg see Note 4		Reel Dimensions*** in. mm									
	I.D. in. mm	1	NET	SHIP	A	B	D	E	F CRANK	F POWER	G	H	X	Y
		25 1-9/16 40												
V-6024-19-21		60	85	127	21	15.5	20.5	18.75	25.38	30	21.5	12.12	13	16.75
		18	39	58	533	394	521	476	645	762	546	308	330	425
V-6032-19-21		85	102	144	29.5	24	20.5	18.75	33.88	38.5	21.5	12.12	21.5	16.75
		26	46	65	749	610	521	476	861	978	546	308	546	425
V-6024-23-24		100	92	134	21	15.5	20.5	22.75	25.38	30	23.5	12.12	13	16.75
		30	42	61	533	394	521	578	645	762	597	308	330	425
V-6030-23-24		150	105	147	27.5	22	20.5	22.75	31.88	36.5	23.5	12.12	19.5	16.75
		46	48	67	699	559	521	578	810	927	597	308	495	425
V-6038-23-24		175	120	162	35	29.5	20.5	22.75	39.38	44	23.5	12.12	27	16.75
		53	54	73	889	749	521	578	1000	1118	597	308	686	425
V-6016-25-26		60	88	130	13	7.5	25.5	24.75	17.38	22	27.88	15.5	7.75	21.75
		18	40	59	330	191	648	629	441	559	708	394	197	552
V-6022-25-26		100	100	142	19	13.5	25.5	24.75	23.38	28	27.88	15.5	11	21.75
		30	45	64	483	343	648	629	594	711	708	394	279	552
V-6028-25-26		175	113	155	25.5	20	25.5	24.75	29.88	34.5	27.88	15.5	17.5	21.75
		53	51	70	648	508	648	629	759	876	708	394	445	552
V-6018-30-31		125	101	151	15	9.5	25.5	28.75	19.38	24	29.88	15.5	7	21.75
		38	46	68	381	241	648	730	492	610	759	394	178	552
V-6024-30-31		175	113	163	21	15.5	25.5	28.75	25.38	30	29.88	15.5	13	21.75
		53	51	74	533	394	648	730	645	762	759	394	330	552
V-6028-30-31		250	121	171	25.5	20	25.5	28.75	29.88	34.5	29.88	15.5	17.5	21.75
		76	55	78	648	508	648	730	759	876	759	394	445	552
† V-6030-30-31		275	125	175	27.5	22	25.5	28.75	31.88	36.5	29.88	15.5	19.5	21.75
		84	57	79	699	559	648	730	810	927	759	394	495	552
† V-6028-33-34		300	129	179	25	20	31.5	31.75	29.62	34.25	33.62	17.75	17.5	27.75
		91	59	81	635	508	800	806	752	870	854	451	445	705

Notes:

- Specifications subject to change.
- Upon request, reels can be supplied with drum lengths other than shown and with disc sizes in other diameters.
- Dimensions shown for reels up to and including 30-31 disc size reflect pressed frames. All others are rollformed channel frames.
- Weights shown in chart are for crank rewind models. Prefix model number with V-. ADD these amounts for power rewind models:

	Net lbs/kg	Ship lbs/kg
Electric 1/2 HP	40/18.1	40/18.1
Hydraulic	20/9.1	20/9.1
Air	20/9.1	20/9.1

- When ordering power rewind models, replace prefix V- with:
 - V-A** = Air Rewind—Supplied with control valve and 18" air hose.
 - V-EPJ** = Explosion-Proof Electric Rewind (1/2 HP)—12v and 24v DC rewind reels supplied with explosion-proof switch, solenoid, and junction box. 115v AC rewind reels supplied with explosion-proof switch and junction box.
 - V-HD** = Hydraulic Rewind—not supplied with control valve.

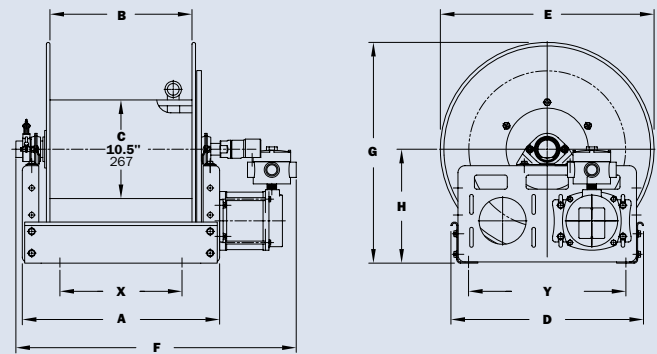
6. **Finish:** Refer to page 2.

7. **Be sure to check dimensions and weights prior to ordering.**

NOTICE: A flexible connector must be used between the inlet pipe and the inlet swivel joint.

*** X, Y indicate mounting holes. See page 2.

† Some applications require a manual clutch/reduction unit (consult factory).



Power rewind shown

Series V-1-1/2"

To handle single 1-1/4" or 1-1/2" I.D. hose.

- Rugged, industrial-duty construction.
- Gear-driven crank rewind or chain and sprocket drive powered by an electric, hydraulic or compressed air motor.
- Optional auxiliary crank rewind for power rewind reels.
- Crank rewind reels supplied with pinion brake and power rewind reels with a comet brake.
- Standard inlet: 90° ball bearing swivel joint, 1-1/2" female NPT threads, and 2" Victaulic® groove.
- Standard outlet: flanged riser, 1-1/2" female NPT threads.
- Other sizes and/or threads can be furnished and must be specified.
- Inlet, outlet riser, hub assembly are aluminum for jet fuels.
- Stainless steel fluid path is available at extra cost.
- Rollers and roller mounting brackets are accessory items. Must specify roller position.
- Chain guard is available upon request, must be specified.
- Pressures to 600 psi (41 bar).
- Temperatures from -25°F to +250°F (-32°C to +121°C).
- Consult factory for other pressures and temperatures.



Standard configuration with V-EPJ option shown



Standard configuration with V-EPJ option and shown with optional Assembly C2 roller

Series V-1-1/2"

PARTS DRAWING – ISO 18

Model Number <small>For Power Rewind see Notes 4 & 5</small>	Hose Capacity of Reel feet m			Approx. Weight Crank Rewind lb. kg <small>See Note 4</small>		Reel Dimensions*** in. mm									
	I.D. in. mm	1-1/4 32	1-1/2 38	NET	SHIP	A	B	D	E	F CRANK	F POWER	G	H	X	Y
	O.D. in. mm	1.89 48	2.10 53												
V-26-19-21	60	50		99	141	23	17.5	20.5	18.75	29.5	31.88	21.5	12.12	15	16.75
	18	15		45	64	584	445	521	476	749	810	546	308	381	425
V-32-19-21	75	75		112	154	29.5	24	20.5	18.75	36.0	38.38	21.5	12.12	21.5	16.75
	23	23		51	70	749	610	521	476	914	975	546	308	546	425
V-40-19-21	100	100		128	170	37.5	32	20.5	18.75	44.0	46.38	21.5	12.12	29.5	16.75
	30	30		58	77	953	813	521	476	1118	1178	546	308	749	425
V-24-23-24	85	50		102	144	21	15.5	20.5	22.75	27.5	29.88	23.5	12.12	13	16.75
	26	15		46	65	533	394	521	578	699	759	597	308	330	425
V-32-23-24	125	75		119	161	29.5	24	20.5	22.75	36.0	38.38	23.5	12.12	21.5	16.75
	38	23		54	73	749	610	521	578	914	975	597	308	546	425
V-38-23-24	175	100		130	172	35	29.5	20.5	22.75	41.5	43.88	23.5	12.12	27	16.75
	53	30		59	78	889	749	521	578	1054	1115	597	308	686	425
V-20-25-26	75	60		106	148	17	11.5	25.5	24.75	23.5	25.88	27.88	15.5	9	21.75
	23	18		48	67	432	292	648	629	597	657	708	394	229	552
V-24-25-26	100	75		114	156	21	15.5	25.5	24.75	27.5	29.88	27.88	15.5	13	21.75
	30	23		52	71	533	394	648	629	699	759	708	394	330	552
V-28-25-26	150	100		123	165	25.5	20.0	25.5	24.75	32.0	34.38	27.88	15.5	17.5	21.75
	46	30		56	75	648	508	648	629	813	873	708	394	445	552
V-16-30-31	50	50		106	156	13	7.5	25.5	28.75	19.5	21.88	29.88	15.5	7.75	21.75
	15	15		48	71	330	191	648	730	495	556	759	394	197	552
V-20-30-31	100	75		114	164	17	11.5	25.5	28.75	23.5	25.88	29.88	15.5	9	21.75
	30	23		52	74	432	292	648	730	597	657	759	394	229	552
† V-22-30-31	125	100		118	168	19	13.5	25.5	28.75	25.5	27.88	29.88	15.5	11	21.75
	38	30		54	76	483	343	648	730	648	708	759	394	279	552
† V-28-30-31	200	150		131	181	25.5	20.0	25.5	28.75	32.0	34.38	29.88	15.5	17.5	21.75
	60	46		59	82	648	508	648	730	813	873	759	394	445	552
† V-24-33-34	175	150		129	179	20.5	15.5	31.5	31.75	27.25	29.63	33.62	17.75	13	27.75
	53	46		59	81	521	394	800	806	692	753	854	451	330	705

Notes:

- Specifications subject to change.
- Upon request, reels can be supplied with drum lengths other than shown and with disc sizes in other diameters.
- Dimensions shown for reels up to and including 30-31 disc size reflect pressed frames. All others are rollformed channel frames.
- Weights shown in chart are for crank rewind models. Prefix model number with V-. ADD these amounts for power rewind models:

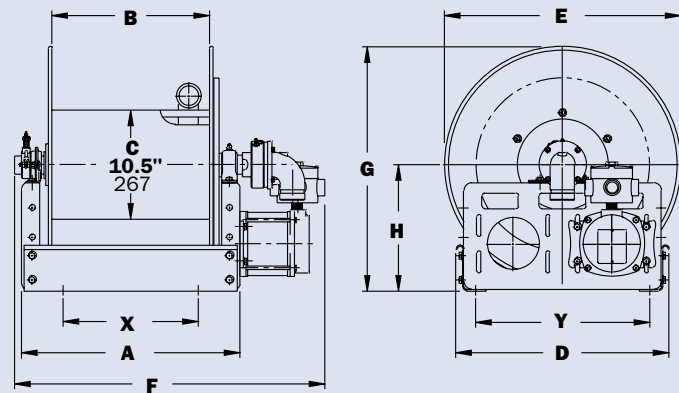
	Net lbs/kg	Ship lbs/kg
Electric	40/18.1	40/18.1
Hydraulic	20/9.1	20/9.1
Air	20/9.1	20/9.1

- When ordering power rewind models, replace prefix V- with:
 - V-A = Air Rewind–Supplied with control valve and 18" air hose.
 - V-EPJ = Explosion-Proof Electric Rewind (1/2 HP)–Supplied with explosion-proof switch, solenoid, and junction box.
 - V-HD = Hydraulic Rewind–Not supplied with control valve.
- For Air Rewind on models over 100 ft. of 1-1/2", consult factory.
- Be sure to check dimensions and weights prior to ordering.

NOTICE: A flexible connector must be used between the inlet pipe and the inlet swivel joint.

† Some applications may require a different motor and/or a clutch/reduction unit.

***X, Y indicate mounting holes. See page 2.



Series V-2"

To handle single 1-1/2" or 2" I.D. hose.

- Rugged, industrial-duty channel frame construction.
- Gear-driven crank rewind or chain and sprocket drive powered by an electric, hydraulic or compressed air motor.
- Optional auxiliary crank rewind for power rewind reels.
- Crank rewind reels supplied with pinion brake and power rewind reels with a comet brake.
- Standard inlet: 90° ball bearing swivel joint with 2" Victaulic® groove.
- Standard outlet: flanged riser, 2" female NPT threads.
- Other sizes and/or threads can be furnished and must be specified.
- Inlet, outlet riser, hub assembly are aluminum for jet fuels.
- Stainless steel fluid path is available at extra cost.
- Rollers and roller mounting brackets are accessory items. Must specify roller position.
- Pressures to 150 psi (10 bar).
- Temperatures from -50°F to +180°F (-45°C to +82°C).
- Consult factory for other pressures and temperatures.



Standard configuration with V-EPJ option shown



Chain Clutch - Reduction Units

- Recommended on power reels with 39" diameter or larger discs, or when increased torque and slower rewind speeds are required.
- Factory installed.

Series V-2"

PARTS DRAWING – ISO 35

Model Number For Power Rewind see Notes 3 & 4	Hose Capacity of Reel feet m			Approx. Weight Crank Rewind lb. kg See Note 3		Reel Dimensions*** in. mm									
	I.D. in. mm	1-1/2 38	2 51	NET	SHIP	A	B	D	E	F CRANK	F POWER	G	H	X	Y
	O.D. in. mm	2.06 52	2.67 68												
V-232-26-27	70	50	104	154	23.75	17.5	27	25.75	31	32.75	26.62	13.75	16.25	23.25	
	21	15	47	70	603	445	686	654	787	832	676	349	413	591	
V-238-26-27	100	75	145	195	30.25	24	27	25.75	37.5	39.25	26.62	13.75	22.75	23.25	
	30	23	66	88	768	610	686	654	953	997	676	349	578	591	
V-246-26-27	140	100	196	246	38.25	32	27	25.75	45.5	47.25	26.62	13.75	30.75	23.25	
	43	30	89	112	972	813	686	654	1156	1200	676	349	781	591	
V-224-33-34	60	50	70	140	15.75	9.5	31.5	31.75	23	24.75	33.38	17.5	8.25	27.75	
	18	15	32	64	400	241	800	806	584	629	848	445	210	705	
V-228-33-34	100	75	92	162	19.75	13.5	31.5	31.75	27	28.75	33.38	17.5	12.25	27.75	
	30	23	42	73	502	343	800	806	686	730	848	445	311	705	
V-234-33-34	140	100	133	203	26.25	20	31.5	31.75	33.5	35.25	33.38	17.5	18.75	27.75	
	43	30	60	92	667	508	800	806	851	895	848	445	476	705	
V-232-39-40	250	150	180	250	23.75	17.5	40	39	31	32.75	39.88	20.38	16.25	37	
	76	46	82	113	603	445	1016	991	787	832	1013	518	413	940	
V-240-39-40	350	200	218	288	32.25	26	40	39	39.5	41.25	39.88	20.38	22.75	37	
	107	61	99	131	819	660	1016	991	1003	1048	1013	518	578	940	

Notes:

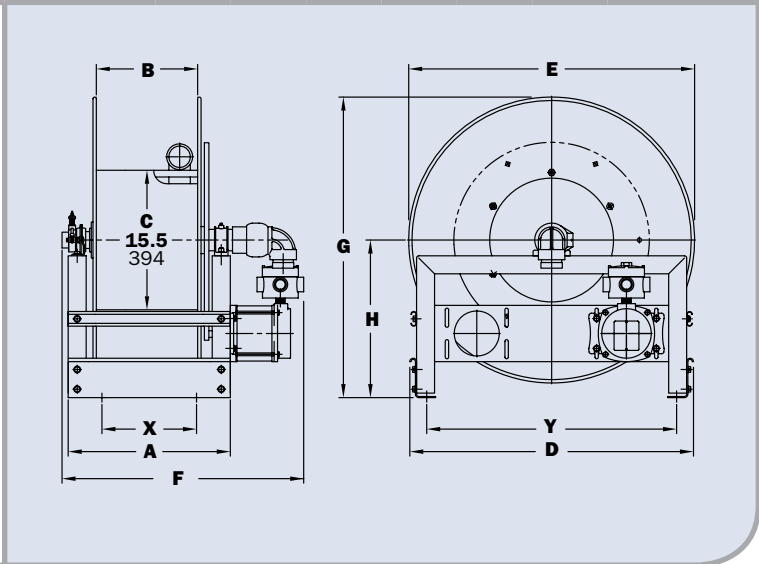
- Specifications subject to change.
- Upon request, reels can be supplied with drum lengths other than shown and with disc sizes in other diameters.
- Weights shown in chart are for crank rewind models. Prefix model number with V-. ADD these amounts for power rewind models:

	Net lbs/kg	Ship lbs/kg
Electric	40/18.1	40/18.1
Hydraulic	20/9.1	20/9.1
Air	20/9.1	20/9.1

- When ordering power rewind models, replace prefix V- with:
 - V-A** = Air Rewind–Supplied with control valve and 18" air hose.
 - V-EPJ** = Explosion-Proof Electric Rewind (1/2 HP)–Supplied with explosion-proof switch, solenoid, and junction box.
 - V-HD** = Hydraulic Rewind–Not supplied with control valve.
- Be sure to check dimensions and weights prior to ordering.**

NOTICE: A flexible connector must be used between the inlet pipe and the inlet swivel joint.

***X, Y indicate mounting holes. See page 2.



Series V-3"

To handle 2-1/2" or 3" I.D. hose.

- Rugged, industrial-duty channel frame construction.
- Gear-driven crank rewind or chain and sprocket drive powered by an electric, hydraulic or compressed air motor.
- Pinion shaft brake as auxiliary crank rewind on power reels, at extra cost.
- Crank rewind supplied with pinion brake, power reels with comet brake. Other brakes and locking devices may be specified.
- Standard inlet: 90° ball bearing swivel joint, 3" Victaulic® groove.
- Standard outlet: flanged riser, 3" female NPT threads.
- Consult factory for other sizes and/or threads.
- Inlet, outlet riser, and hub assembly are aluminum for jet fuels.
- Stainless steel fluid path is available at extra cost.
- Rollers and roller mounting brackets are accessory items. Specify roller position.
- Pressures to 150 psi (10 bar).
- Temperatures from -50°F to +180°F (-45°C to +82°C).
- Consult factory for other pressures and temperatures.



Standard configuration shown



Chain Clutch - Reduction Units

- Standard on power reels with 39" diameter or larger discs, or when increased torque and slower rewind speeds are required.
- Factory installed.

PARTS DRAWING – ISO 57

Model Number For Power Rewind see Notes 3 & 4	Hose Capacity of Reel feet m			Approx. Weight Crank Rewind lb. kg See Note 3		Reel Dimensions*** in. mm										
	I.D. in. mm	2-1/2 64	3 76	NET	SHIP	A	B	C	D	E	F CRANK	F POWER	G	H	X	Y
	O.D. in. mm	3.25 83	3.78 96													
V-334-26-27	*25 8	-	-	116 53	166 75	26.25 667	20 508	15.5 394	27 686	27.38 695	35.75 908	36.25 921	27.12 689	14.25 362	18.75 476	23.25 591
V-340-26-27	*35 11	-	-	153 69	203 92	32.25 819	26 660	15.5 394	27 686	27.38 695	41.75 1060	42.25 1073	27.12 689	14.25 362	24.75 629	23.25 591
V-350-26-27	*50 15	-	-	213 97	340 155	42.25 1073	36 914	15.5 394	27 686	27.38 695	51.75 1314	52.25 1327	27.12 689	14.25 362	34.75 883	23.25 591
V-332-33-34	25 8	25 8	-	125 57	195 88	23.75 603	17.5 445	20 508	31.5 800	31.75 806	33.25 845	33.75 857	33.88 861	18 457	16.25 413	27.75 705
V-346-33-34	50 15	50 15	-	237 108	307 139	38.25 972	32 813	20 508	31.5 800	31.75 806	47.75 1213	48.25 1226	33.88 861	18 457	30.75 781	27.75 705
V-332-39-40	65 20	50 15	-	201 91	271 123	23.75 603	17.5 445	20 508	40 1016	39 991	33.25 845	33.75 857	40.38 1026	20.88 530	16.25 413	37 940
V-338-39-40	90 27	80 24	-	239 108	309 140	30.25 768	24 610	20 508	40 1016	39 991	39.75 1010	40.25 1026	40.38 1026	20.88 530	22.75 578	37 940
V-334-45-46	120 37	100 30	-	361 164	431 195	26.25 667	20 508	20 508	46 1168	45 1143	35.75 908	36.25 921	46.38 1178	23.88 607	18.75 476	43 1092

Notes:

1. Specifications subject to change.
2. Upon request, reels can be supplied with drum lengths other than shown and with disc sizes in other diameters.
3. Weights shown in chart are for crank rewind models. Prefix model number with **V-**. ADD these amounts for power rewind models:

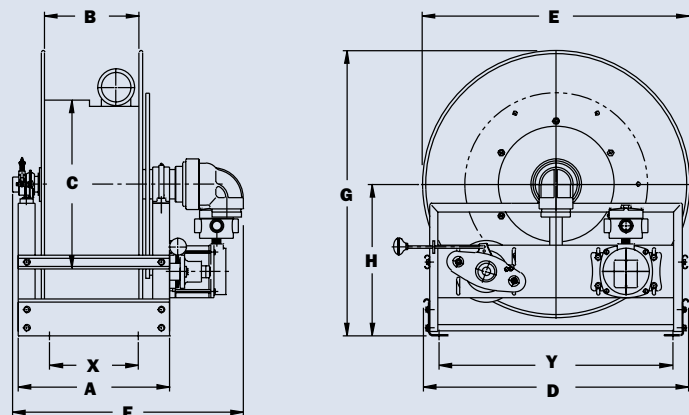
	Net lbs/kg	Ship lbs/kg
Electric	40/18.1	40/18.1
Hydraulic	20/9.1	20/9.1
Air	20/9.1	20/9.1

4. When ordering power rewind models, replace prefix **V-** with:
 - V-A** = Air Rewind—Supplied with control valve and 18" air hose.
 - V-EPJ** = Explosion-Proof Electric Rewind (1/2 HP)—Supplied with explosion-proof switch, solenoid, and junction box.
 - V-HD** = Hydraulic Rewind—Not supplied with control valve.

5. **Be sure to check dimensions and weights prior to ordering.**
NOTICE: A flexible connector must be used between the inlet pipe and the inlet swivel joint.

*Be sure to verify bend radius of hose before ordering.

***X, Y indicate mounting holes. See page 2.



Series V-4"

To handle 4" I.D. hose.

- Rugged, industrial-duty channel frame construction.
- Gear-driven crank rewind, or chain and sprocket drive powered by an electric, hydraulic or compressed air motor.
- Pinion shaft brake as auxiliary on power reels, at extra cost.
- Crank rewind reels supplied with pinion brake, power reels with comet brake. Other brakes and locking devices may be specified.
- Standard inlet: 90° ball bearing swivel joint, 4" female NPT threads.
- Standard outlet: flanged riser with 4" female NPT threads.
- Consult factory for other sizes and/or threads.
- Standard outlet riser and hub assembly are steel with iron inlet swivel joint. For jet fuels, can be supplied in stainless steel, at extra cost.
- Rollers and roller mounting brackets are accessory items. Specify roller position.
- Pressures to 150 psi (10 bar).
- Temperatures from -50°F to +180°F (-45°C to +82°C).
- Consult factory for other pressures and temperatures.



Standard configuration shown



Chain Clutch - Reduction Units

- Standard on all Series V4" power reels for increased torque and slower rewind speeds as required.
- Factory installed.

PARTS DRAWING – ISO 75

Model Number <small>For Power Rewind see Notes 3 & 4</small>	Hose Capacity of Reel feet m		Approx. Weight Crank Rewind lb. kg <small>See Note 3</small>		Reel Dimensions*** in. mm										
	I.D. in. mm	4 102	NET	SHIP	A	B	C	D	E	F CRANK	F POWER	G	H	X	Y
	O.D. in. mm	5 127													
V-426-52-54-36	-	-	255	325	18.50	11.5	36	53	52	29.75	29.25	55	29	11	50
			116	147	470	292	914	1346	1321	756	743	1397	737	279	1270
V-430-52-54-36	*30	275	345	22.5	15.5	36	53	52	33.75	33.25	55	29	15	50	
	9	125	156	572	394	914	1346	1321	857	845	1397	737	381	1270	
V-434-52-54-36	*40	290	360	27	20	36	53	52	38.25	37.75	55	29	19.5	50	
	12	132	163	686	508	914	1346	1321	972	959	1397	737	495	1270	
V-426-56-58-36	-	290	360	18.5	11.5	36	57	56	29.75	29.25	58	30	11	54	
	-	132	163	470	292	914	1448	1422	756	743	1473	762	279	1372	
V-430-56-58-36	*40	305	375	22.5	15.5	36	57	56	33.75	33.25	58	30	15	54	
	12	138	170	572	394	914	1448	1422	857	845	1473	762	381	1372	
V-434-56-58-36	*55	325	395	27	20	36	57	56	38.25	37.75	58	30	19.5	54	
	17	147	179	686	508	914	1448	1422	972	959	1473	762	495	1372	

Notes:

1. Specifications subject to change.
2. Upon request, reels can be supplied with drum lengths other than shown and with disc sizes in other diameters.
3. Weights shown in chart are for crank rewind models. Prefix model number with **V-**. ADD these amounts for power rewind models:

	Net lbs/kg	Ship lbs/kg
Electric	40/18.1	40/18.1
Hydraulic	20/9.1	20/9.1
Air	20/9.1	20/9.1

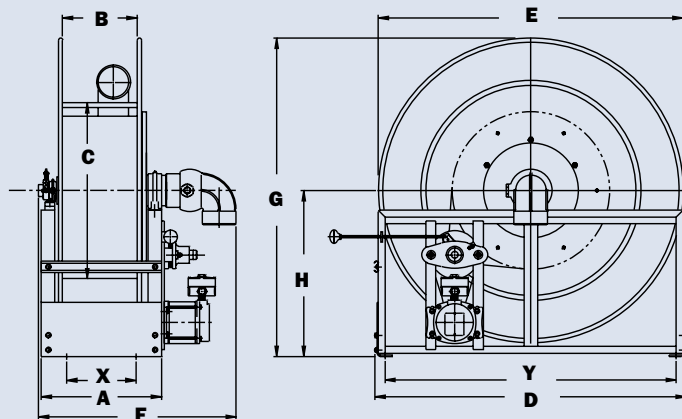
4. When ordering power rewind models, replace prefix **V-** with:
 - V-A** = Air Rewind—Supplied with control valve and 18" air hose.
 - V-EPJ** = Explosion-Proof Electric Rewind (1/2 HP)—Supplied with explosion-proof switch, solenoid, and junction box.
 - V-HD** = Hydraulic Rewind—Not supplied with control valve.

5. Be sure to check dimensions and weights prior to ordering.

NOTICE: A flexible connector must be used between the inlet pipe and the inlet swivel joint.

*Be sure to verify bend radius of hose before ordering.

***X, Y indicate mounting holes. See page 2.



Series V-5000 | Single Wrap

To handle single 1-1/2" I.D. through 3" I.D. hose.

- Effortless and fast rewinding, wrapping of hose.
- Chain and sprocket drive powered by electric, hydraulic, or compressed air motor.
- Auxiliary crank rewind, optional.
- 12 volt rewind, comet brake, reduction unit standard.
- Air brake optional.
- Inlet, hub assembly is aluminum.
- Consult factory for other pressures, temperatures, and options.

Series V-5100

- Standard inlet: 90° ball bearing swivel joint, 1-1/2" female NPT threads, 2" Victaulic® groove, flanged riser with 1-1/2" female NPT threads.
- Pressures to 600 psi (41 bar).
- Temperatures from -25°F to +250°F (-32°C to +121°C).

Series V-5200

- Standard inlet: 90° ball bearing swivel joint, 2" Victaulic® groove, flanged riser with 2" female NPT threads.
- Pressures to 150 psi (10 bar).
- Temperatures from -50°F to +180°F (-45°C to +82°C).

Series V-5300

- Standard inlet: I-hub (aluminum only) straight 3" Victaulic® groove inlet, flanged riser with 3" female NPT threads.
- Pressures to 150 psi (10 bar).
- Temperatures from -50°F to +180°F (-45°C to +82°C).
- Optional 90° ball bearing alum swivel joint, 3" Victaulic® groove, flanged riser with 3" female NPT threads.
- Optional I-hub joints are available in:
 - 3" straight flanged
 - 3" 90° flanged
 - 3" 90° Victaulic®



Series V-5300
Standard configuration shown



Standard straight I-hub
for Series V-5300



90° Victaulic® version
I-hub assembly with riser
for Series V-5300

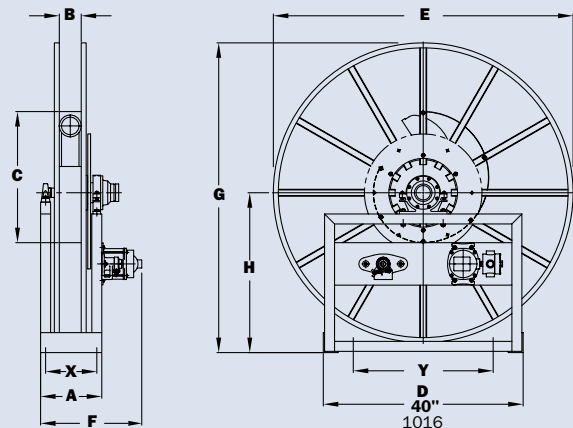
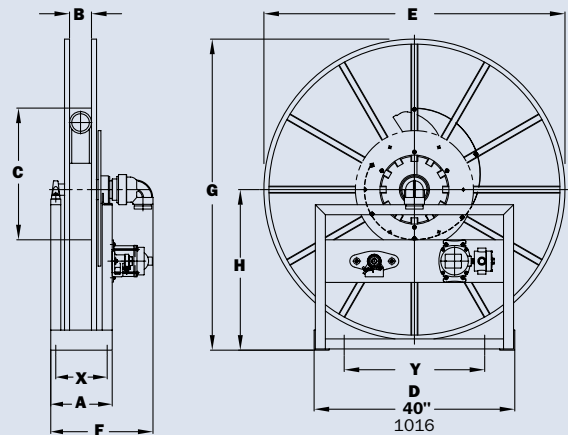
Single Wrap | **Series V-5000**

PARTS DRAWING – ISO 197

Model Number For Power Rewind see Note 2	Hose Capacity of Reel feet m					Approx. Weight lb. kg		Reel Dimensions*** in. mm									
	I.D. in. mm	1-1/2 38	2 51	2-1/2 64	3 76	NET	SHIP	A	B	C	E	F POWER	F POWER with I-Hub	G	H	X	Y
	O.D. in. mm	2.06 52	2.67 68	3.25 83	3.78 96												
V-5111-48-50-20	50	-	-	-	-	310	385	10.63	2.50	20	48	17.5	-	50	26	8.63	28
	15	-	-	-	-	141	175	270	64	508	1219	445	-	1270	660	219	711
V-5111-56-58-20	75	-	-	-	-	330	405	10.63	2.50	20	56	17.5	-	58	30	8.63	28
	23	-	-	-	-	150	184	270	64	508	1422	445	-	1473	762	219	711
V-5111-62-64-20	100	-	-	-	-	340	415	10.63	2.50	20	62	17.5	-	64	33	8.63	28
	30	-	-	-	-	154	188	270	64	508	1575	445	-	1626	838	219	711
V-5218-56-58-24	-	50	-	-	-	370	445	11.50	3.63	20	56	19.25	-	58	30	9.5	28
	-	15	-	-	-	168	202	292	92	508	1422	489	-	1473	762	241	711
V-5218-62-64-24	-	75	-	-	-	390	465	11.50	3.63	20	62	19.25	-	64	33	9.5	28
	-	23	-	-	-	177	211	292	92	508	1575	489	-	1626	838	241	711
V-5218-70-72-24	-	100	-	-	-	400	475	11.50	3.63	20	70	19.25	-	72	37	9.5	28
	-	30	-	-	-	181	215	292	92	508	1778	489	-	1829	940	241	711
V-5319-62-64-30	-	-	50	50	-	400	475	12.25	4.38	30	62	21.25	20.50	64	33	10.25	28
	-	-	15	15	-	182	216	311	111	762	1575	540	521	1626	838	260	711
V-5319-70-72-30	-	-	75	-	-	410	485	12.25	4.38	30	70	21.25	20.50	72	37	10.25	28
	-	-	23	-	-	186	220	311	111	762	1778	540	521	1829	940	260	711
V-5319-78-80-30	-	-	100	-	-	420	495	12.25	4.38	30	78	21.25	20.50	80	41	10.25	28
	-	-	30	-	-	191	225	311	111	762	1981	540	521	2032	1041	260	711

Notes:

- Specifications subject to change.
 - When ordering power rewind models, prefix model number with:
 - V-A** = Air Rewind reels are supplied with control valve and 25" air hose.
 - V-EP** = Electric Rewind (2/3 HP) 12v and 24v DC rewind reels are supplied with switch and solenoid.
 - V-HD** = Hydraulic Rewind reels are not supplied with control valve.
 - Be sure to check dimensions and weights prior to ordering.**
- NOTICE:** A flexible connector must be used between the inlet pipe and the inlet swivel joint.
- ***X, Y indicate mounting holes. See page 2.



Series N600 | Dual Hose

- Deadman/Sensing

To handle dual 1/4" through 3/8" I.D. sensing hose.

- Narrow frame and compact mounting base.
- Non-sparking ratchet assembly.
- Declutching arbor to prevent damage from reverse winding.
- Standard inlets: 90° balanced pressure swivel joints, 1/2" female NPT threads.
- Standard outlets: 1/2" female NPT threads.
- Standard pressures to 3000 psi (207 bar).
- Temperatures from -60°F to +250°F (-51°C to +121°C).
- Consult factory for other pressures and temperatures.
- 4-way roller assembly.



Standard configuration shown

PARTS DRAWING – ISO 80

Model Number	Hose Capacity of Reel feet m			Approx. Weight lb. kg			Standard Roller Assy.	Reel Dimensions*** in. mm							
	I.D. in. mm	1/4 6	3/8 10	NET	UPS/ FedEx SHIP Wt.	Freight SHIP Wt.		A	B	C	E	F	G	H	X
	O.D. in. mm	5/8 16	3/4 19					11	5	10.5	20.75	13.75	20	10.62	9
N617-19-20-10.5J		2/50	2/50	66	84*	101	N205	11	5	10.5	20.75	13.75	20	10.62	9
		2/15	2/15	30	38	46		279	127	267	527	349	508	270	229
N617-23-24-10.5G		2/100	2/100	73	84*	108	N205	11	5	10.5	23.75	13.75	24	12.62	9
		2/31	2/31	33	38	49		279	127	267	603	349	610	321	229

Notes:

A hose stop is necessary to keep spring from unwinding.

1. Specifications subject to change.
2. Reel models and capacities shown are for standard drag applications; for vertical lift applications, consult factory.
3. Other sizes, from standard components, available on request.
4. **Finish:** Refer to page 2.
5. **Be sure to check dimensions and weights prior to ordering.**

NOTICE: A flexible connector must be used between the inlet pipe and the inlet swivel joint.

*Dimensional weight may apply when shipped as a parcel package (via FedEx or UPS Ground).

*** X, Y indicate mounting holes. See page 2.

Available Roller Positions



SR (STD)



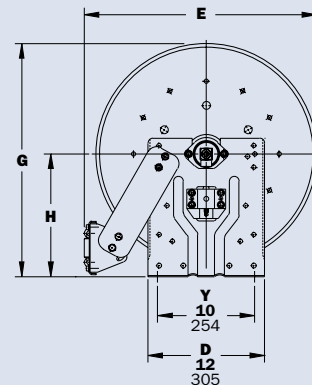
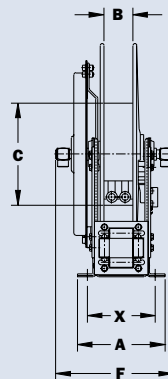
VR (OPT)



TR (OPT)



TR (Wallmount)



Series V-N800

To handle 1" I.D. hose.

- Narrow frame and compact mounting base.
- Non-sparking ratchet assembly.
- Declutching arbor to prevent damage from reverse winding.
- #304 stainless steel internals.
- Standard inlet: 90° #304 stainless steel ball bearing swivel joint, 1" female NPT threads.
- Standard outlet: 1" female NPT threads.
- Standard pressures to 1000 psi (69 bar).
- Temperatures from -40°F to +250°F (-40°C to +121°C).
- 4-way roller assembly.



Optional TR roller position shown

PARTS DRAWING – ISO 81

Model Number	Hose Capacity of Reel feet m		Approx. Weight lb. kg		Standard Roller Assy.	Reel Dimensions*** in. mm							
	I.D. in. mm	1 25	NET	Freight SHIP Wt.		A	B	C	E	F	G	H	X
V-N816-25-26-10.5B		35			96	131	N204	10	4	10.5	25.25	14.25	26
		11	44	59	254	102		267	641	362	660	346	203
V-N818-25-26-10.5B		50	102	137	N206	12	6	10.5	25.25	16.25	26	13.62	10
		15	46	62		305	152	267	641	413	660	346	254

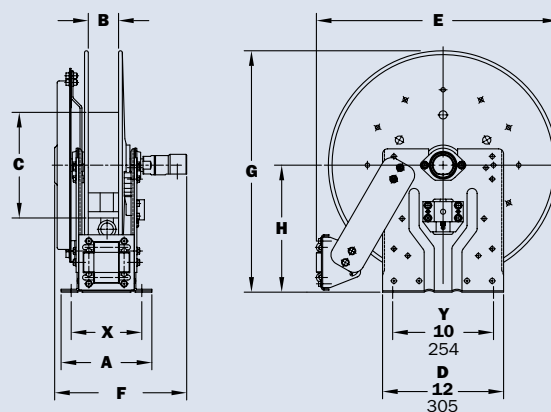
Notes:

A hose stop is necessary to keep spring from unwinding.

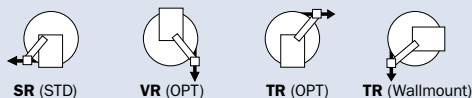
1. Specifications subject to change.
2. Reel models and capacities shown are for standard drag applications; for vertical lift applications, consult factory.
3. Other sizes, from standard components, available on request.
4. **Finish:** Refer to page 2.
5. **Be sure to check dimensions and weights prior to ordering.**

NOTICE: A flexible connector must be used between the inlet pipe and the inlet swivel joint.

*** X, Y indicate mounting holes. See page 2.



Available Roller Positions



Series V-800

To handle 1" I.D. hose.

- Rollformed channel frame construction.
- Non-sparking ratchet assembly.
- Declutching arbor to prevent damage from reverse winding.
- #304 stainless steel internals.
- Standard inlet: 90° #304 stainless steel ball bearing swivel joint, 1" female NPT threads.
- Standard outlet: 1" female NPT threads.
- Standard pressures to 1000 psi (69 bar).
- Temperatures from -40°F to +250°F (-40°C to +121°C).
- 4-way roller assembly.



Standard configuration shown

PARTS DRAWING – ISO 42

Model Number	Hose Capacity of Reel		Approx. Weight		Standard Roller Assy.	Reel Dimensions***									
	feet m		lb. kg			in. mm									
	I.D. in. mm	1 25	NET	SHIP		A	B	C	D	E	F	G	H	X	Y
V-816-25-26-10.5B	35	96			131	R204	9.25	4	10.5	25	26.12	14.75	25.88	13.5	4.5
	11	44	59		235	102	267	635	663	375	657	343	114	552	
V-818-25-26-10.5B	50	102	137	R206	11.25	6	10.5	25	26.12	16.75	25.88	13.5	6.5	21.75	
	15	46	62		286	152	267	635	663	425	657	343	165	552	
V-820-25-26-10.5A	75	131	166	R308	13.25	8	10.5	25	27	19.5	25.88	13.5	8.5	21.75	
	23	59	75		337	203	267	635	686	495	657	343	216	552	
V-820-30-31-10.5A	100	137	172	R308	13.25	8	10.5	28.5	30.5	19.5	31.38	17	8.5	25.25	
	30	62	78		337	203	267	724	775	495	797	432	216	641	

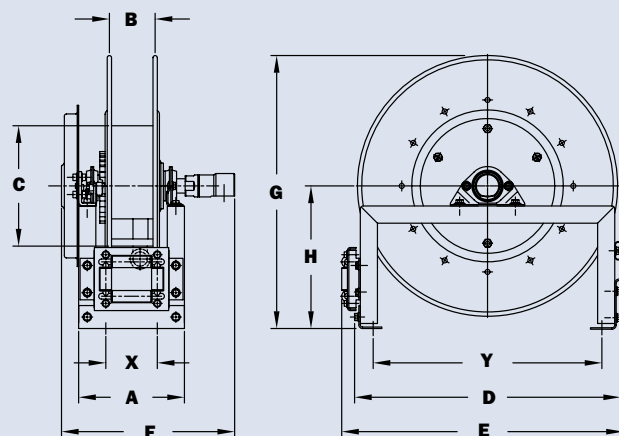
Notes:

A hose stop is necessary to keep spring from unwinding.

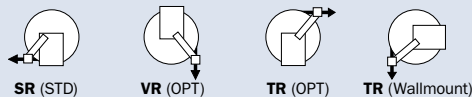
1. Specifications subject to change.
2. Reel models and capacities shown are for standard drag applications; for vertical lift applications, consult factory.
3. Other sizes, from standard components, available on request.
4. **Finish:** Refer to page 2.
5. **Be sure to check dimensions and weights prior to ordering.**

NOTICE: A flexible connector must be used between the inlet pipe and the inlet swivel joint.

*** X, Y indicate mounting holes. See page 2.



Available Roller Positions



Series V-900

To handle 1-1/4" or 1-1/2" I.D. hose.

- Rollformed channel frame construction.
- Non-sparking ratchet assembly.
- Declutching arbor to prevent damage from reverse winding.
- Standard inlet, outlet riser and hub assembly are aluminum for jet fuels.
- Standard inlet: 90° swivel joint, 1-1/2" female NPT threads, and 2" Victaulic® groove.
- Standard outlet: 1-1/2" female NPT threads.
- Consult factory for other sizes and/or threads.
- Standard pressures to 600 psi (41 bar).
- Temperatures from -25°F to +250°F (-32°C to +121°C).
- Consult factory for other pressures and temperatures.
- 4-way roller assembly.



Standard configuration shown

PARTS DRAWING – ISO 29

Model Number	Hose Capacity of Reel feet m			Approx. Weight lb. kg		Standard Roller Assy.	Reel Dimensions*** in. mm								
	I.D. in. mm	1-1/4 32	1-1/2 38	NET	SHIP		A	B	D	E	F	G	H	X	Y
	O.D. in. mm	1-13/16 46	2-1/16 52				15.25	10	23.25	25.25	24	23.88	12.5	10.5	20
V-922-23-24B		40	25	104	139	R310	387	254	591	641	610	607	318	267	508
V-920-25-26A		50	40	127	162	R308	13.25	8	25	27	22.75	25.88	13.5	8.5	21.75
		15	12	58	73		337	203	635	686	578	657	343	216	552
V-922-30-31A		75	50	156	191	R310	15.25	10	28.5	30.5	24.75	31.38	17	10.5	25.25
		23	15	71	87		387	254	724	775	629	797	432	267	641

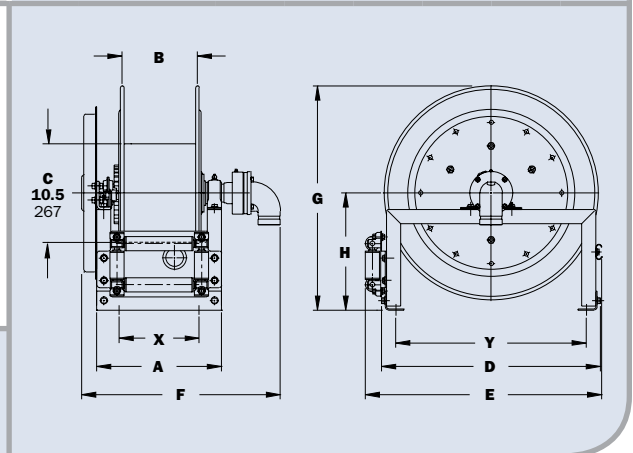
Notes:

A hose stop is necessary to keep spring from unwinding.

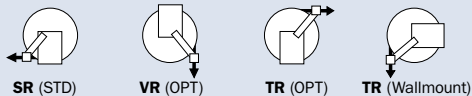
1. Specifications subject to change.
2. Reel models and capacities shown are for standard drag applications; for vertical lift applications, consult factory.
3. Other sizes, from standard components, available on request.
4. **Finish:** Refer to page 2.
5. **Be sure to check dimensions and weights prior to ordering.**

NOTICE: A flexible connector must be used between the inlet pipe and the inlet swivel joint.

*** X, Y indicate mounting holes. See page 2.



Available Roller Positions



Static Grounding Reels

• Aircraft Refueling

WARNING

These reels are for static grounding ONLY.
NOT intended for lightning protection!

For refueling or hazardous areas.

- These reels bond and/or ground aircraft, fuel trucks, and other equipment.
- Provide smooth operation and require minimum cable pull.
- Declutching arbor and adjustable guide arm with cable guide.
- Optional stainless steel construction of spool, frame, and ratchet system available on HGR Series.
- Standard finish is oven-cured enamel.
- Also available, manual rewind version.



Model HGR50
(Shown with optional "Y" branch)



Model SSHGR50
(Optional unpolished stainless steel HGR50)



Model MHGR50



Model HGR100



Model MHGR100



Model GR75

Model MGR75

All reels shown with optional pcc cable and clamp.

Series **GR/HGR**

- Available with 1/8", 7 x 19 galvanized carbon steel cable.
- 100 amp Alligator clamp.
- Stainless steel or plastic-covered cable and "Y" branches are available at an additional charge.
- Cable guide arm of cast aluminum and ZA-12 aluminum zinc alloy.

Series **GR75**

- Sealed spring is a good economical choice that's compact and lightweight.

Series **HGR**

- A non-sparking ratchet assembly.
- Reels are repairable and parts are readily available.
- Supplied with 18" long grounding strap with eyelet connectors on both ends.

Parts Drawings: **HGR Series – ISO 10** and **MHGR Series – ISO 234**

Model Number	Cable Capacity of Reel feet m	Approx. Weight lb. kg		Reel Dimensions*** in. mm									
		Without Cable	With Cable	A	B	C	D	E	F	G	H	X	Y
GR75	75	11	14*	2	2	7	9	9.25	3.5	9.88	5.06	1	7.88
	23	5	6	51	51	178	229	235	89	251	129	25	200
† MGR75	75†	11	13*	2	2	7	9	9.25	5.25	9.88	5.06	1	7.88
	23†	5	6	51	51	178	229	235	133	251	129	25	200
HGR50	75	28	30*	4	1.25	10.75	11.5	14.25	5.5	16.75	8.88	2.38	7.5
	23	13	14	102	32	273	292	362	159	425	226	60	191
† MHGR50	125†	19	23*	4	1.25	10.75	11.5	14.25	6.25	16.75	8.88	2.38	7.5
	38†	9	10	102	32	273	292	362	159	425	226	60	191
HGR100	100	37	41*	4	1.25	13.25	11.5	16.75	5.5	17.75	8.88	2.38	7.5
	30	17	19	102	32	337	292	425	140	451	226	60	191
† MHGR100	175†	25	31*	4	1.25	13.25	11.5	16.75	6.25	17.75	8.88	2.38	7.5
	53†	11	14	102	32	337	292	425	159	451	226	60	191

Optional GTP Gator® Clamp
(GTP-9654)
Part No. 9951.0032



Optional Browne Clamp
(ALS-10)
Part No. 9951.0031

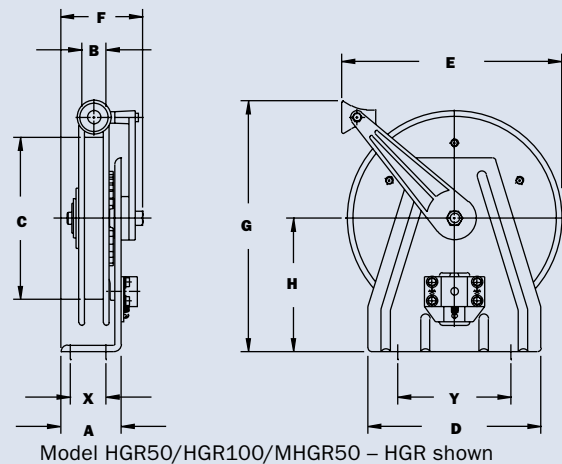
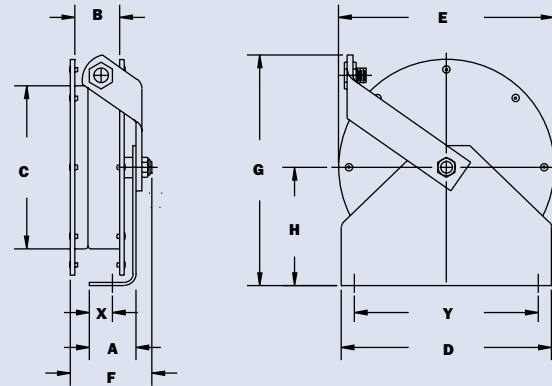


Optional Grounding Jack
per MIL-C-8341D/4
Part No. 9951.0033



Notes:

1. Specifications subject to change.
 2. When ordering, specify model number, gauge, O.D., length, and coating if required.
 3. Specify "Y" branch if required.
 4. **Finish:** Refer to page 2.
- *Reels can be shipped as a parcel package (via FedEx or UPS Ground).
*** X, Y indicate mounting holes. See page 2.
† Capacities shown are for PCC (plastic coated cable). Capacities may be higher for uncoated cable; consult factory.



You Can't Buy A Better Reel.

Choose the reels proven in airports around the world.

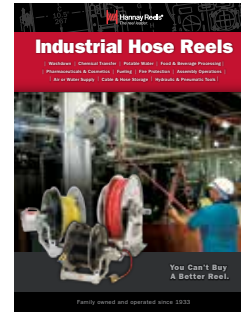
The quality of our heavy-duty, handcrafted reels has made Hannay Reels the #1 choice of aviation OEMs. Available for countless applications, our reels fit worldwide specs, yet are individually designed and built to meet your specific requirements. Whether in the hangar or on the field, you can rely on our reels to improve productivity, increase safety, and keep your operation running smoothly.



Uses:

- Washdown and potable water
- Hydrant and mobile refueling
- Aircraft servicing and maintenance
- Sensing and grounding
- Firefighting and rescue
- Aircraft de-icing
- Pressurized air/nitrogen
- Video inspection
- DEF for service vehicles

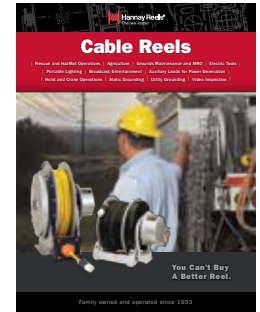
Find reels for every need.



Industrial Hose Reels

Includes specs and information on:

- High pressure spring rewind reels
- Compact manual rewind reels
- Power rewind reels
- Portable storage reels
- Hose assemblies



Cable Reels

Find out more about:

- Manual and power rewind reels
- Storage reels
- Reels for live electric cable
- Portable reels
- Static and truck grounding reels

View all our reel catalogs online at hannay.com



Family owned and operated since 1933, Hannay Reels is the world leader in both OEM and aftermarket applications. Hannay offers thousands of standard hose reel and cable reel models, as well as unmatched custom capabilities. We can easily and affordably customize a reel to meet your exact specifications – built to last, delivered fast. Additional catalogs are available through your local Hannay Reels dealer or online at hannay.com.



553 State Route 143 | Westerlo, New York 12193
Email: reels@hannay.com | hannay.com



All Hannay reels are constructed of quality heavy gauge steel (optional aluminum or stainless steel also available on most models).

Phone: 518-797-3791
Toll Free: 1-877-467-3357

Domestic FAX: 1-800-733-5464
International FAX: 518-797-3259

Form H-0418-AVIA REV 5 WEB 10-18

