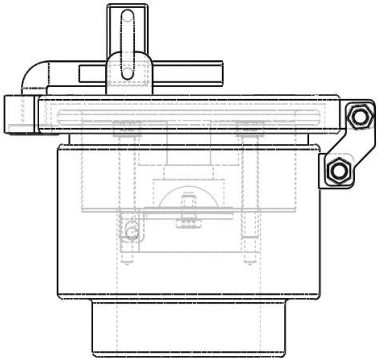


Berrys
technologies ltd
141 Lichfield rd
Aston
Birmingham
B65SP
United Kingdom
www.berrys.com

Product description: Berrys Vapor-tite dip cap

Technical specifications

- Vapor tight integral valve
- Locking cap
- Unique hinge system
- Electroless nickel plated.
- E-85 compatible
- Viton seals
- Replaceable internal cartridge
- Easy to install



The Berrys Vapor-tite dip cap is a robust and compact design. Machined out of aluminum billet and coated with an electroless nickel plating system. The valve is fully compatible with all fuels types including E85.

The unit comprises a lockable, fully sealed cap with a unique hinging system which ensures that the cap is never misplaced. The internals are designed to be serviced or replaced in-situ by means of a cartridge system that has an internal valve with Viton seal.

The valve is fully vapor tight and prevents the escape of vapors into the dip chamber during normal operation.

