

FRONTIER

SERIES I – F160 UHF



THE ART OF DISPENSING

PERFECT FOR HIGH THROUGHPUT APPLICATIONS

- LOW HOSE SINGLE & DUAL CONFIGURATION
- ENABLE FOR SITE AUTOMATION
- ULTRA-HIGH FLOW – 115 LPM
- AVAILABLE IN SUCTION OR PRESSURE
- EXCELLENT VALUE ON PRICE, FUNCTIONALITY AND RELIABILITY

VALUE DRIVERS



ACCURACY

- GILBARCO HD METER WITH E-CALIBRATION
- MINIMAL PULSE RESOLUTION FOR HIGHER ACCURACY
- 2-STAGE VALVE FOR ACCURATE DELIVERY IN <1 LITRE TRANSACTIONS ACCURACY IN HIGH THROUGHPUT ENVIRONMENTS



DURABILITY

- HIGH VISIBILITY; UNIFORM BRIGHTNESS 24HRS A DAY
- SELF-DIAGNOSTIC POWER SUPPLY SAFEGUARDS MOTOR AT <180V



SECURITY

- THEFT PROTECTION THROUGH PERSONALIZED PADLOCKS
- TAMPER-RESISTANT ELECTRONICS WITH PROPRIETARY INTERFACE PROTOCOL
- INTERACTIVE ELECTRONICS – NO PULSE, NO FLOW SYSTEM

STANDARD FEATURES

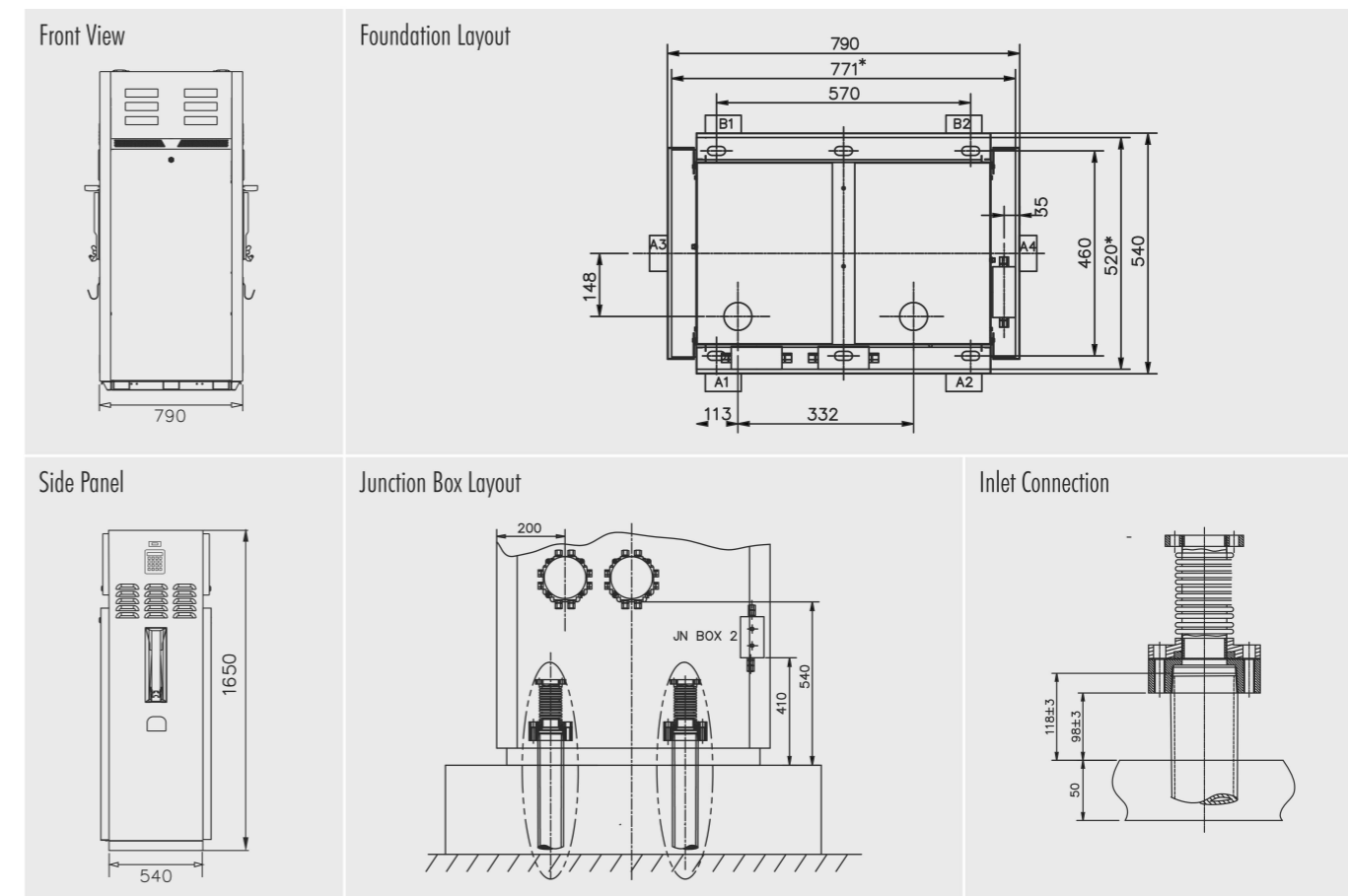
MECHANICAL	
VALVES	1 PHASE, 230V, 2-STAGE SOLENOID VALVE FOR ACCURATE LOW VOLUMES
HYDRAULICS CABINET DOOR	LARGE SIZE, COATED, GALVANIZED PANEL FOR CUSTOM BRANDING; WIDTH: 666MM, HEIGHT: 1136MM
HOSE MANAGEMENT	LOW HOSE ORIENTATION WITH HOSE HANGER ON LOWER PANEL EXTENDS HOSE LIFE
ELEVATION	LOW HOSE, 1.6 METERS
DIMENSIONS	PRODUCT: WIDTH 790 X DEPTH 540 X HEIGHT 1650 PACKAGING: WIDTH 1070 X DEPTH 630 X HEIGHT 1880

ELECTRONICS	
CALCULATOR	ELECTRONIC REGISTER ENABLED WITH ARM PROCESSOR AND PROPRIETARY PROTOCOL
DISPLAY	LED-LIT SUPERIOR BACKLIGHT AND CONTRAST; 25MM SALE & VOLUME CHARACTER HEIGHT; 25MM CHARACTER HEIGHT FOR PPU DISPLAY
KEYPAD	16 KEY ALPHANUMERIC WITH SELF-ENABLED DISPLAY
COMMUNICATION	GILBARCO 2-WIRE COMMUNICATION PROTOCOL

HYDRAULICS	
PUMPING UNIT	GLOBAL PUMPING UNIT – OIML APPROVED & INTEGRATED AIR SEPARATION
MOTOR	RUGGED 1.5 HP MOTOR – 3 PHASE, 380V
METER	GILBARCO HD METER WITH E-CALIBRATION FEATURE

REFER TO THE WARRANTY POLICY AT THE TIME OF ORDER CONFIRMATION.

TECHNICAL SPECIFICATIONS & FOUNDATION LAYOUT DRIVERS



ALL DIMENSIONS ABOVE ARE IN MM.

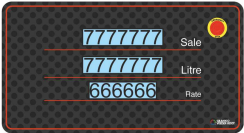
SINGLE & DOUBLE-SIDED DISPENSER CONFIGURATION

MODELS	SUCTION TYPE	PRESSURE TYPE	DESCRIPTION	NO. OF SIDES	PRODUCT INLETS	DISPENSED GRADES	HOSES PER UNIT	METERS	ACTIVATION TYPE
F160-1	SK	DK	1-GRADE, 1 HOSE	2	1	1	1	1	AUTO
F160-3	SK	DK	2-GRADE, 2 HOSE	2	2	2	2	2	AUTO

TECHNICAL & ENVIRONMENTAL SPECIFICATIONS

FLOW RATES	METER ACCURACY	AMBIENT TEMPERATURE RANGE	RELATIVE HUMIDITY
ULTRA HIGH FLOW – 30-31 GPM (113-115 LPM)	+/- 0.3% OF MEASURED VOLUME PER OIML R117/118	-20° C TO 55° C	95%

ADD ON OPTIONS



7-7-6 DISPLAYS

- 7DIGIT SALE/ 7DIGIT VOLUME / 6DIGIT PPU
- BIGGER, BRIGHTER DISPLAY



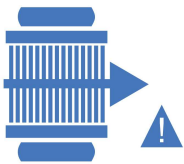
TICKET PRINTER

- PRINTED RECORD FOR EVERY TRANSACTION
- DISPENSER TRANSACTION HISTORY & LOGS PRINTING



PUMP-STOP

- DISPENSER SHUT OFF FUNCTION IN EMERGENCY
- SAFETY & CONTROL



LOW FLOW RATE ALERT

- PREDICTIVE FAILURE INTIMATION FOR LOW FLOW RATE
- AVOID POTENTIAL LOW THROUGHPUT AND REVENUE LOSS
- DISPLAY ERROR MESSAGE FOR REDUCTION IN FLOW RATE

PRODUCT APPROVALS

FULL PRODUCT APPROVAL	ATEX & OIML R117/118	APPROVED WITH TULIP ELECTRONICS
METER:	GILBARCO HD METER	OIML R117/118 APPROVED
PUMP:	GILBARCO GPU	OIML R117/118 APPROVED
JUNCTION BOX & PULSER BOX:	EX D IIB T5 FLAMEPROOF	
MANUFACTURING APPROVALS:	ISO 9001:2008	

FOR ADDITIONAL INFORMATION PLEASE CONTACT YOUR LOCAL REPRESENTATIVE: