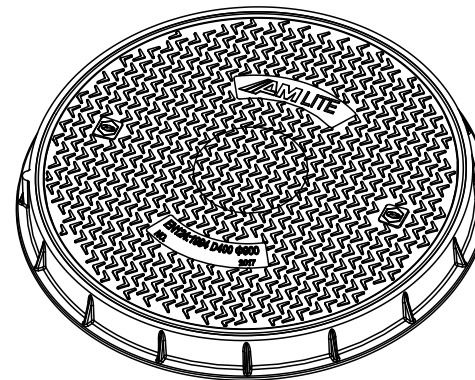
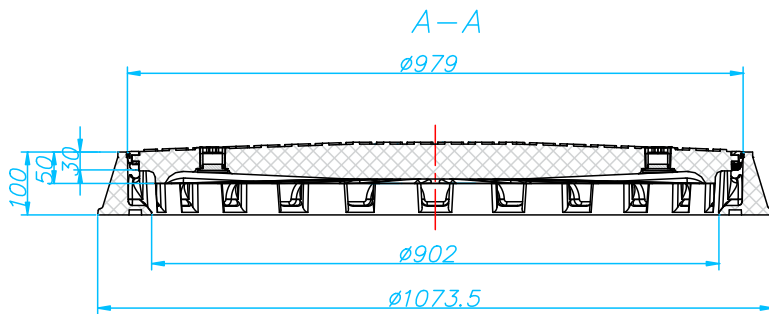
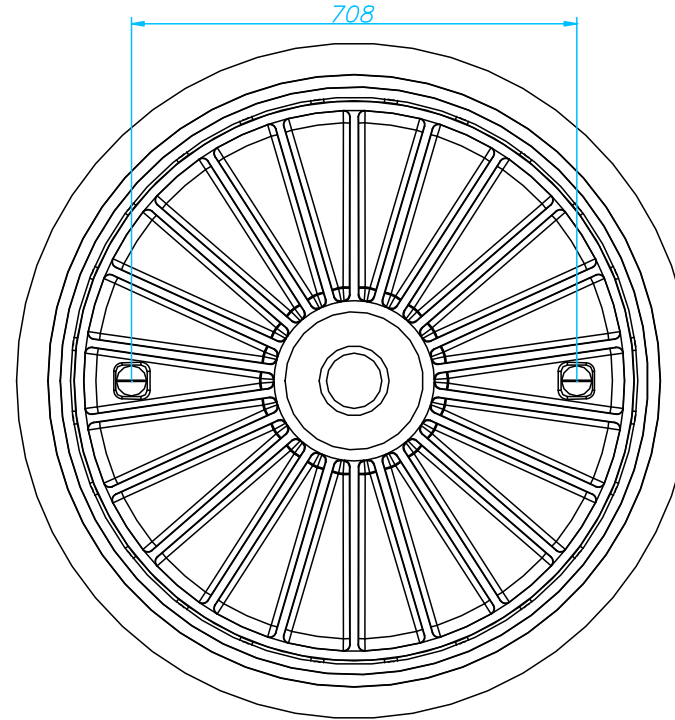
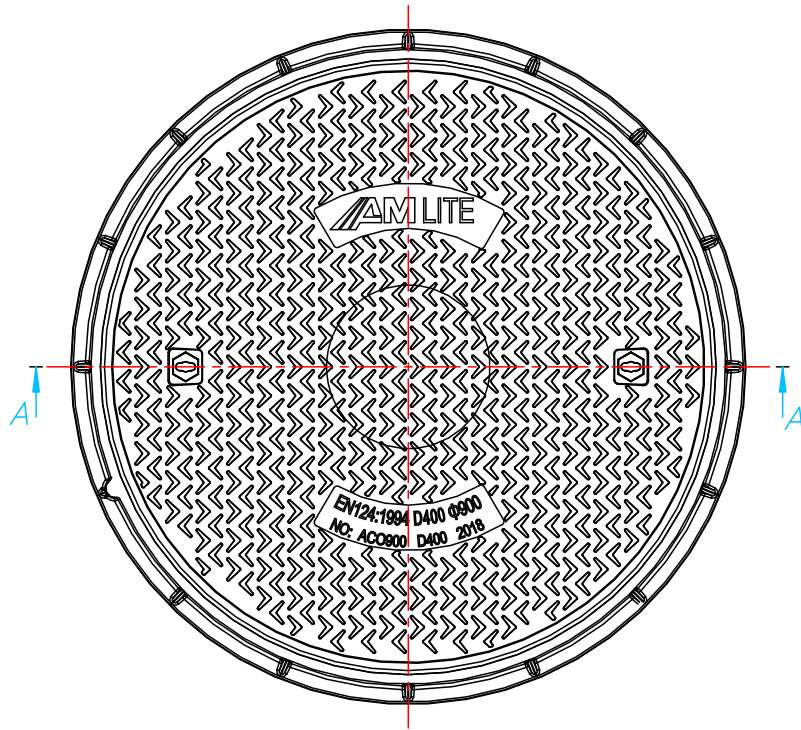


ACO900D400 COMPOSITE COVER & FRAME

This drawing and specification is the property of Amlite Ltd and shall not be reproduced, distributed, disclosed or used for manufacturing or any other purpose without the written consent of Amlite Ltd.



Material:	SMC
Load Test:	400KN
Drawn:	GH
Checked:	MS
Date:	23.01.18



www:	amliteltd.com
email:	info@amliteltd.com